

Installation guide - Montageanleitung Guide d'installation - Ghid de instalare

Luna Track

ST3 - Trimless mount



ATTENTION / ACHTUNG / ATTENTION / ATENȚIE

EN Installation guide

1. Turn power off before inspection, installation or removal.
2. Properly ground electrical enclosure.
3. Follow all IEC and local building codes.
4. Do not operate luminaire with damaged parts.
5. Please see technical data sheet for electrical properties to ensure safe installation.
6. The grounding and bonding of the overall system shall be done in accordance to local electric code of the country where the luminaire is installed.
7. For indoor use, only.
8. Installation should be performed by a qualified electrician in compliance with these instructions and applicable standards.
9. Do not cover the front or rear of the luminaire.

DE Montageanleitung

1. Schalten Sie die Stromversorgung vor der Überprüfung, Montage oder Demontage aus.
2. Stellen Sie sicher, dass die elektrische Verbindung ordnungsgemäß geerdet ist.
3. Befolgen Sie die IEC-Norm und alle lokalen Bauvorschriften.
4. Betreiben Sie die Leuchte nicht mit beschädigten Teilen.
5. Informationen zu elektrischen Eigenschaften finden Sie im technischen Datenblatt, um eine sichere Montage zu gewährleisten.
6. Der Erdanschluss und Verbindung des Gesamtsystems muss gemäß den lokalen Vorschriften in dem Land, in dem die Leuchte montiert wird, erfolgen.
7. Nur für den Innenbereich.
8. Die Montage sollte von einem qualifizierten Elektriker gemäß den vorliegenden Anleitungen und geltenden Normen durchgeführt werden.
9. Decken Sie nicht die Vorder- oder Rückseite der Leuchte ab.

FR Guide d'installation

1. Coupez l'alimentation avant l'inspection, l'installation ou la désinstallation.
2. Reliez correctement le boîtier électrique à la terre.
3. Respectez toutes les normes IEC et locales en vigueur.
4. Ne faites pas fonctionner le luminaire si l'un de ses composants est endommagé.
5. Veuillez consulter la fiche des caractéristiques techniques pour les propriétés électriques afin d'assurer une installation sécuritaire.
6. La mise à la masse et la mise en continuité du système complet doivent être réalisées conformément au code local de l'électricité du pays où le luminaire est installé.
7. Réservé à l'utilisation en intérieur.
8. Il est conseillé de confier l'installation à un électricien qualifié qui devra se conformer aux instructions et aux normes concernant les installations.
9. Ne pas couvrir l'avant ou l'arrière du luminaire.

RO Ghid de instalare

1. Opriti alimentarea cu energie electrică înainte de a efectua orice operație de verificare, instalare sau dezinstalare.
2. Efectuați corect conexiunea la nulul de protecție al instalației electrice.
3. Respectați directiva IEC și toate directivele locale.
4. Nu folosiți corpul de iluminat dacă prezintă componente deteriorate.
5. Pentru a asigura instalarea în siguranță, consultați fișa tehnică cu proprietățile instalației electrice.
6. Legarea la nulul de protecție și conectarea întregului sistem trebuie efectuate conform normelor locale privind instalațiile electrice din țara în care se montează corpul de iluminat.
7. Doar pentru uz interior.
8. Instalarea trebuie realizată de către un electrician calificat, în concordanță cu instrucțiunile și standardele aplicabile.
9. Nu acoperiți partea din față sau din spate a corpului de iluminat.

ST3 - Trimless mount

Product:

- 1A7012 Luna 9500-1/B-ST3/1000mm/Trimless/Black
- 1A7013 Luna 9500-1/W-ST3/1000mm/Trimless/White
- 1A7014 Luna 9500-2/B-ST3/2000mm/Trimless/Black
- 1A7015 Luna 9500-2/W-ST3/2000mm/Trimless/White
- 1A7016 Luna 9500-3/B-ST3/3000mm/Trimless/Black
- 1A7017 Luna 9500-3/W-ST3/3000mm/Trimless/White

End Cap:

- 1A7060 9504/ST3-B/End Cap for Trimless Track/Black

Bracket:

- 1A7082 S-9500/315/Bracket for Trimless Use/Raw Aluminium

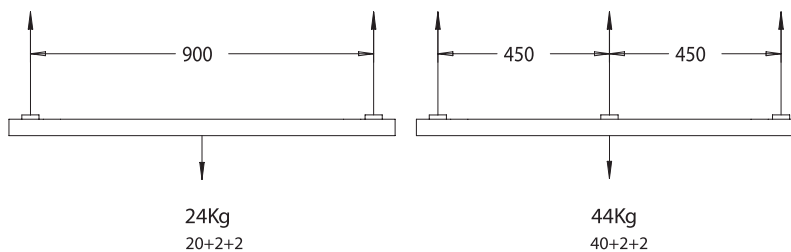
Reinforceing bracket:

- 1A7081 S-9500/314-B/Reinforcing Bracket for Trimless Use of Jointing Connector/Black

1.

Versions ST3 can be fastened to the false ceiling or built-ins, using the accessories shown in the catalogue. To fasten and use them, follow the instructions described in this data-sheet and do not exceed the maximum loads specified (Fig. 1). When installing the fitting in false ceilings, comply with the maximum load-bearing capacity of the relevant structure. The upper part of all tracks is fitted with a metal plate for the magnetic attachment of the adapters. It must not be removed for any reason whatsoever.

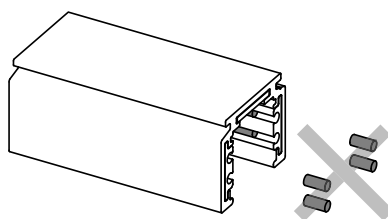
Fig.1



2.

The track bars with 1-2-3 m length are supplied with the copper wires already recessed with respect to the aluminium, to prevent them from coming into contact with one another in case of dual power supply, or, if end caps are used, to prevent the copper wires from coming into contact with them. If the track must be shortened during installation, after cutting it use the special pliers to cut back the 4 copper wires of the track (Fig. 2). Make sure to eliminate the 4 pieces of copper wire cut (Fig. 3). Proceed with the installation of another track or apply the end caps, as explained in this instruction sheet.

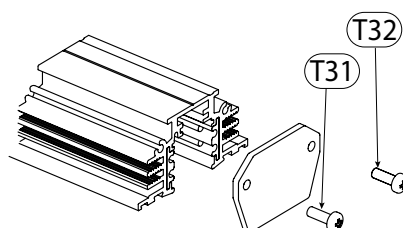
Fig.2



3.

All the tracks have end caps, which must be used on the last track of the run. Each profile has a specific end cap suited to its shape; it must be fastened to the track by tightening the two TXX screws (Fig. 3).

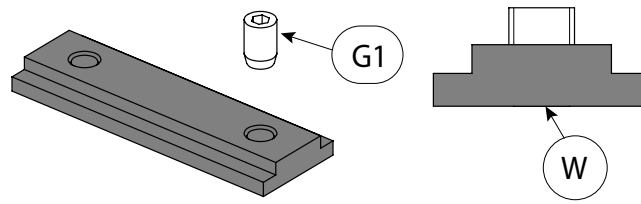
Fig.3



4.

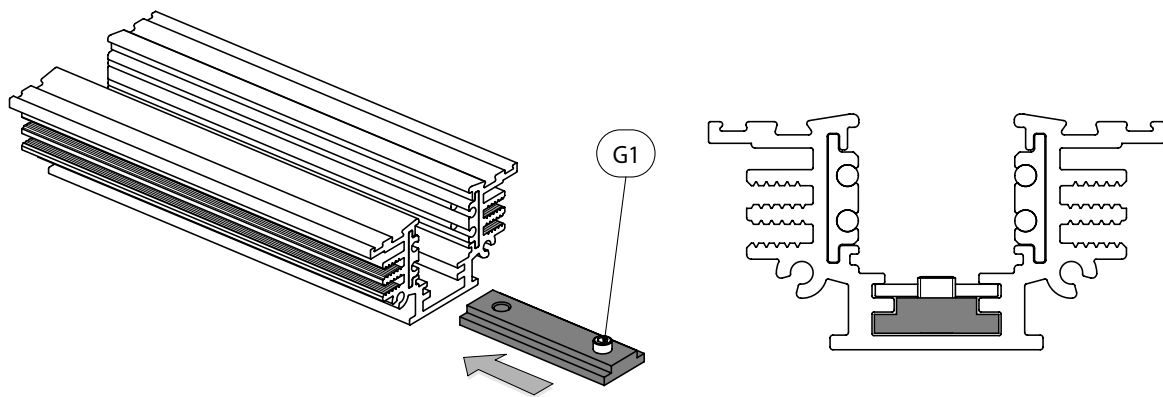
To fasten two sections of the trimless tracks we recommend using the special bracket. Only screw one of the set screws G1 onto the bracket, making sure that it does not protrude from the lower side W of the bracket (Fig. 4).

Fig.4



5.

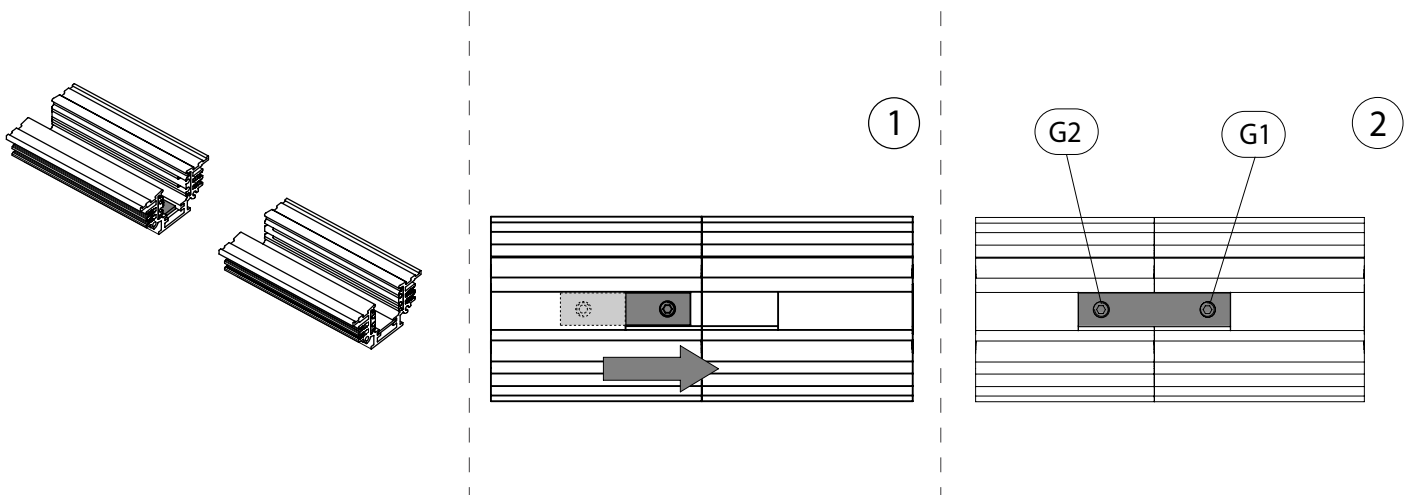
Fig.5



6.

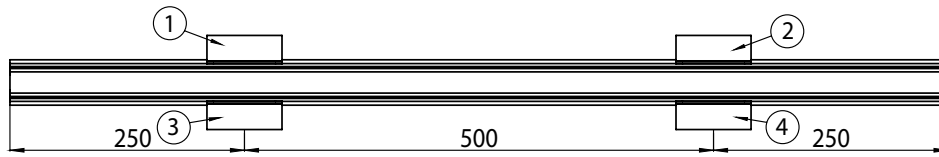
Slide the bracket into the first track section, from the side where set screw G1 has not been inserted, and push it completely inside the track (Fig. 5). Take the second track section and join it to the first section; slide the bracket (1) until it lies mid-way with respect to the two sections (2), then insert the second set screw G2. Lastly, tighten both set screws G1 and G2 until the bracket is tightly secured to the two track sections (Fig. 6).

Fig.6



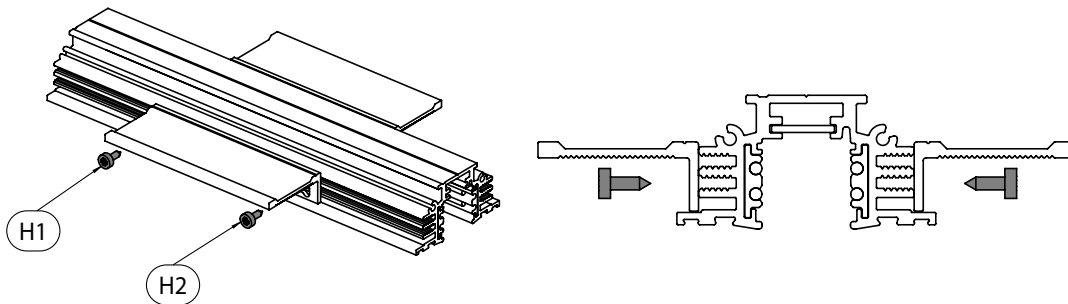
7.

To fasten trimless tracks ST3 to plasterboard, we recommend using the special bracket. Use 4 brackets for every metre of track; 2 of them must be secured to each side and distributed uniformly along the entire length of the track (Fig. 7), using the two screws H1 and H2 for each bracket (Fig. 8). The track has two bracket mounting positions (Level 1 and Level 2), while the bracket has 3 mounting holes (Hole 1, Hole 2 and Hole 3). Observing the various possible combinations (Fig. 9), the track can be anchored to plasterboard with 3 different thicknesses: 12,5 mm / 15 mm / 18 mm.



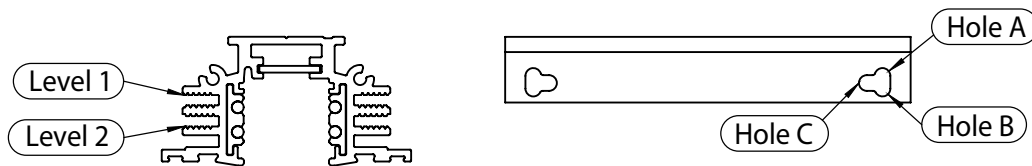
8.

Fig.8



9.

Fig.9

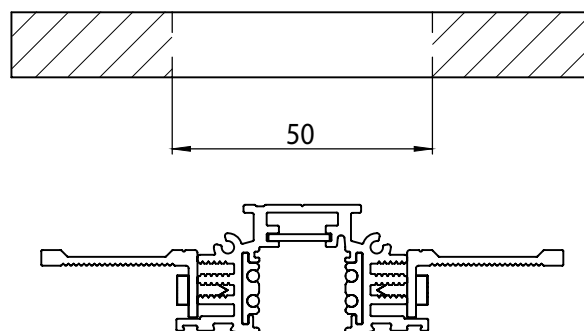


	Level	Hole
Thickness 12.5 mm	2	A
Thickness 15 mm	2	B
Thickness 18 mm	1	C

10.

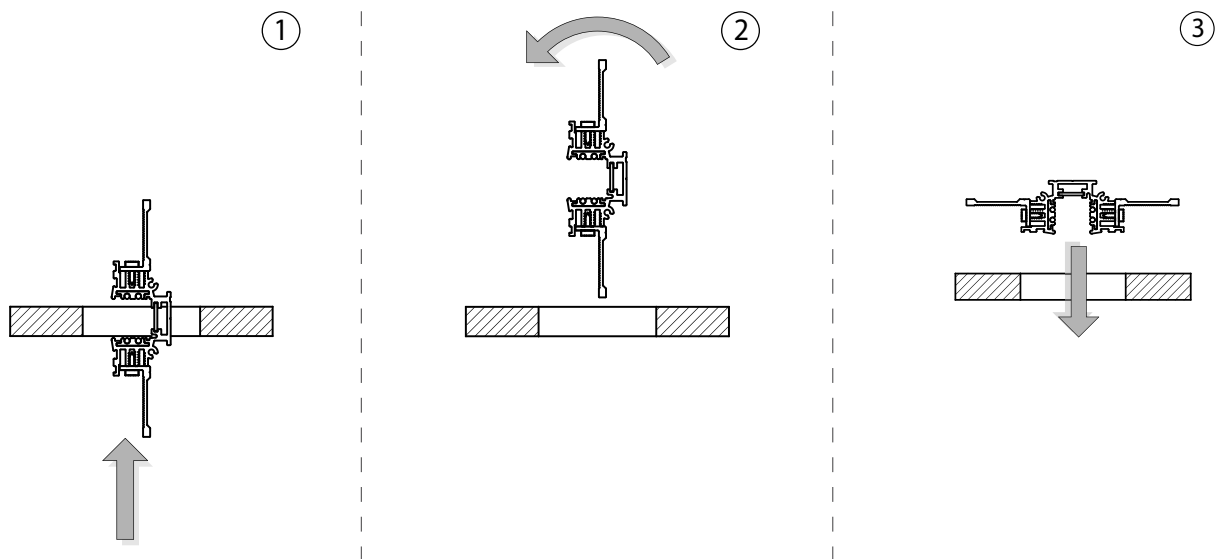
Once the 4 brackets have been fastened to the track, openings of suitable size must be cut into the plasterboard (Fig. 10) then the track must be positioned above the plasterboard in the manner below-illustrated (Fig. 11). Use appropriate screws (not supplied with the brackets) to fasten the track to the plasterboard (Fig. 12). Before inserting the track into the plasterboard, mark on the outside the position of the screws in relation to the track's bracket.

Fig.10



11.

Fig.11



12.

Fig.12

