



## Rigan

### RECESSED SPOTLIGHTS | DALI EM SERIES

Modern, angular, recessed spotlight for spaces that need precise, concentrated illumination or wall washing effects. Spotlight rotates through 355° and pivots through 65°. Optimized for directional beam in retail shops and commercial spaces, showrooms, art galleries. May be installed onto the wall. Can be equipped with a wide range of special temperature colors.

Rigan recessed spotlights come in several series, with various add-on and controls:

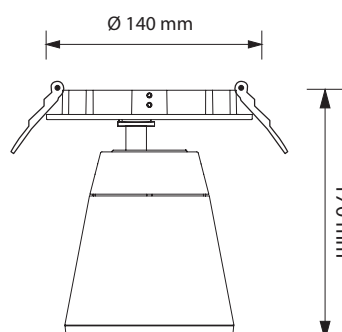
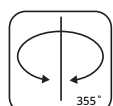
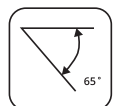
- Rigan Non-DALI – represents the standard for all projects in the retail sector
- Rigan DALI – with DALI controls for illumination adjustments
- Rigan Non-DALI EM – with an emergency lighting kit
- Rigan DALI EM – with both illumination adjustments and emergency kit

### APPLICATION

Supermarket | Fashion | Retail | Hospitality | Exhibition | Architectural

### FEATURES & BENEFITS

- CRI > 80 as standard, up to 98 for certain special color
- 14 color temperatures, including specialized options for food, fashion, art, hospitality and AGI light
- Variety of optics – 4 angles from narrow beams to flood beams
- Luminaire efficiency: 117lm/W @4000K
- Dimmable
- Equipped with emergency kit (1h / 3h)



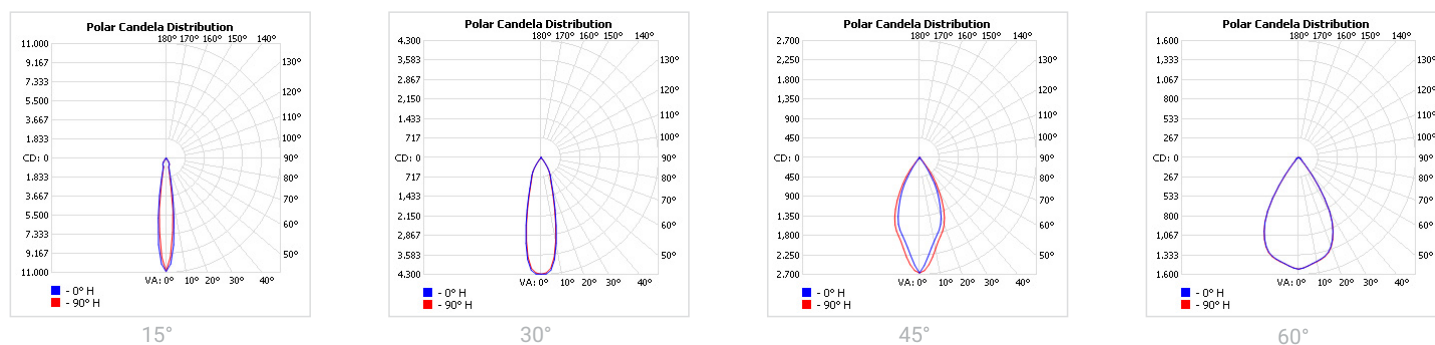
**SPECIFICATIONS**

Power consumption	12W, 14W, 17W, 20W, 23W, 27W
Dimensions	D115 x H170 x Ø140mm ± 1mm
Weight	1.6 Kg - 1.9 Kg
Housing materials	Aluminium, glass
IK code	IK02
THD (at 230V, 50Hz, Full load)	<20%
Protection class	Safety class 1
Operating temperature [°C]	+5°C ... +40°C / +41F ... +104F
Operating humidity [%]	10 ÷ 85
Power factor	≥0.95
AC Input [Vac]	220 - 240 VAC
Lens angle [°]	15°, 30°, 45°, 60°
Lifespan [h]	50,000
Housing color	○ RAL 9003 - Signal White, ● RAL 9005 - Jet Black, ● RAL 9006 - White Aluminium
Lumen maintenance	L90/B10@50,000h at 25°C
IP factor (general)	IP20
Control option	DALI
Warranty [years]	5
Storage temperature range [°C]	+5°C ... +25°C / +41F ... +77F
Emergency option	EM1H, EM3H

#	Standard	Food	Fashion	AGI	ART
CRI	CRI80	CRI80	CRI95	CRI93	CRI98
CCT [K]	2700 / 3000 / 3500 / 4000	BVF / FBS / FZM / FSM / FSH	FAS	AGI 3000 / 3500 / 4000	3000
MacAdam	3	3 / 4 / 4 / 3 / 3	3	3	2

CRI - Color rendering, CCT - Color temperature, MacAdam - Color consistency

**LIGHT DISTRIBUTION**



**TOLERANCES**

**Luminous flux tolerances:** -/+ 5%

**Consumption tolerance:** -/+ 5% for Non-DALI | -/+ 10% for Non-DALI & KIT EM | -/+ 10% for DALI | -/+ 15% for DALI & KIT EM

**BATTERY WARRANTY**

**Non-DALI EM & DALI EM:** 12 months warranty

**Non-DALI & DALI:** -

**MAXIMUM NO. OF LUMINAIRES ON A CIRCUIT**

Luminaire Power(W)	Control type	Circuit Breaker Type					
		B			C		
		20	16	10	20	16	10
8-20W	Non-DALI	62	50	31	104	85	52
23-35W	Non-DALI	24	20	10	47	40	20
42W	Non-DALI	20	16	8	38	32	16
8-20W	DALI	62	50	31	104	85	52
23-27W	DALI	25	21	13	50	42	26
34-42W	DALI	17	14	9	34	28	18

**RISK GROUP**

<b>Standard (CRI80)</b>	RG1
<b>FOOD (BVF, FBS, FSM)</b>	RG1
<b>FOOD &lt;20W (FZM, FSH)</b>	RG2 (dthr=1.8m)
<b>FOOD &gt;20W (FZM, FSH)</b>	RG2 (dthr=2.2m)
<b>FAS</b>	RG1
<b>AMB2200</b>	RG1
<b>ART</b>	RG1
<b>AGI</b>	RG1
<b>CRI90</b>	RG1
<b>CRI95</b>	RG1
<b>ENT</b>	RG1

**RG1**  
 The evaluation of photobiological safety is carried out according to the standard IEC 62471:2008 ("Photobiological safety of lamps and lamp systems"). Following the definition of the risk grouping system of the mentioned IEC standard, the LEDs mounted on this family fall into the class "Low Risk (RG1 – No photobiological hazard under normal behavioral limitations)". Under real circumstances (regarding exposure time, pupils, observation distance), it is assumed that there is no endangerment to the eye from these devices. As a matter of principle, however, it should be mentioned that intense light sources have a high secondary exposure potential due to their blinding effect.

**RG2**  
 The evaluation of photobiological safety is carried out according to the standard IEC 62471:2008 ("Photobiological safety of lamps and lamp systems"). Following the definition of the risk grouping system of the mentioned IEC standard, the LEDs mounted on this family fall into the class "Moderate Risk (RG2)". Under real circumstances (regarding exposure time, pupils, observation distance), it is assumed that there is no endangerment to the eye from these devices. As a matter of principle, however, it should be mentioned that intense light sources have a high secondary exposure potential due to their blinding effect.

SKU SPECIFICATIONS

Product Code	Dimensions (mm)	CCT (K)	Lumens (lm)	Power (W)	Eff. (lm/watt)	Lens Angle (°)
<b>CRI 80</b>						
233088 Rigan R31012/2700/14W/80/A15/EM1H	D115xH170xØ140mm±1mm	2700	1485	14W	107	15°
233089 Rigan R31012/3000/14W/80/A15/EM1H	D115xH170xØ140mm±1mm	3000	1500	14W	108	15°
233090 Rigan R31012/3500/14W/80/A15/EM1H	D115xH170xØ140mm±1mm	3500	1540	14W	110	15°
233091 Rigan R31012/4000/14W/80/A15/EM1H	D115xH170xØ140mm±1mm	4000	1570	14W	113	15°
233093 Rigan R31012/2700/14W/80/A30/EM1H	D115xH170xØ140mm±1mm	2700	1485	14W	107	30°
233094 Rigan R31012/3000/14W/80/A30/EM1H	D115xH170xØ140mm±1mm	3000	1500	14W	108	30°
233095 Rigan R31012/3500/14W/80/A30/EM1H	D115xH170xØ140mm±1mm	3500	1540	14W	110	30°
233096 Rigan R31012/4000/14W/80/A30/EM1H	D115xH170xØ140mm±1mm	4000	1570	14W	113	30°
233098 Rigan R31012/2700/14W/80/A45/EM1H	D115xH170xØ140mm±1mm	2700	1485	14W	107	45°
233099 Rigan R31012/3000/14W/80/A45/EM1H	D115xH170xØ140mm±1mm	3000	1500	14W	108	45°
233100 Rigan R31012/3500/14W/80/A45/EM1H	D115xH170xØ140mm±1mm	3500	1540	14W	110	45°
233101 Rigan R31012/4000/14W/80/A45/EM1H	D115xH170xØ140mm±1mm	4000	1570	14W	113	45°
233103 Rigan R31012/2700/14W/80/A60/EM1H	D115xH170xØ140mm±1mm	2700	1485	14W	107	60°
233104 Rigan R31012/3000/14W/80/A60/EM1H	D115xH170xØ140mm±1mm	3000	1500	14W	108	60°
233105 Rigan R31012/3500/14W/80/A60/EM1H	D115xH170xØ140mm±1mm	3500	1540	14W	110	60°
233106 Rigan R31012/4000/14W/80/A60/EM1H	D115xH170xØ140mm±1mm	4000	1570	14W	113	60°
233108 Rigan R31012/2700/20W/80/A15/EM1H	D115xH170xØ140mm±1mm	2700	2080	20W	104	15°
233109 Rigan R31012/3000/20W/80/A15/EM1H	D115xH170xØ140mm±1mm	3000	2100	20W	105	15°
233110 Rigan R31012/3500/20W/80/A15/EM1H	D115xH170xØ140mm±1mm	3500	2160	20W	108	15°
233111 Rigan R31012/4000/20W/80/A15/EM1H	D115xH170xØ140mm±1mm	4000	2200	20W	110	15°
233113 Rigan R31012/2700/20W/80/A30/EM1H	D115xH170xØ140mm±1mm	2700	2080	20W	104	30°
233114 Rigan R31012/3000/20W/80/A30/EM1H	D115xH170xØ140mm±1mm	3000	2100	20W	105	30°
233115 Rigan R31012/3500/20W/80/A30/EM1H	D115xH170xØ140mm±1mm	3500	2160	20W	108	30°
233116 Rigan R31012/4000/20W/80/A30/EM1H	D115xH170xØ140mm±1mm	4000	2200	20W	110	30°
233118 Rigan R31012/2700/20W/80/A45/EM1H	D115xH170xØ140mm±1mm	2700	2080	20W	104	45°
233119 Rigan R31012/3000/20W/80/A45/EM1H	D115xH170xØ140mm±1mm	3000	2100	20W	105	45°
233120 Rigan R31012/3500/20W/80/A45/EM1H	D115xH170xØ140mm±1mm	3500	2160	20W	108	45°
233121 Rigan R31012/4000/20W/80/A45/EM1H	D115xH170xØ140mm±1mm	4000	2200	20W	110	45°
233123 Rigan R31012/2700/20W/80/A60/EM1H	D115xH170xØ140mm±1mm	2700	2080	20W	104	60°
233124 Rigan R31012/3000/20W/80/A60/EM1H	D115xH170xØ140mm±1mm	3000	2100	20W	105	60°
233125 Rigan R31012/3500/20W/80/A60/EM1H	D115xH170xØ140mm±1mm	3500	2160	20W	108	60°
233126 Rigan R31012/4000/20W/80/A60/EM1H	D115xH170xØ140mm±1mm	4000	2200	20W	110	60°
233128 Rigan R31012/2700/27W/80/A15/EM1H	D115xH170xØ140mm±1mm	2700	2945	27W	110	15°
233129 Rigan R31012/3000/27W/80/A15/EM1H	D115xH170xØ140mm±1mm	3000	2970	27W	110	15°
233130 Rigan R31012/3500/27W/80/A15/EM1H	D115xH170xØ140mm±1mm	3500	3055	27W	114	15°
233131 Rigan R31012/4000/27W/80/A15/EM1H	D115xH170xØ140mm±1mm	4000	3135	27W	117	15°
233133 Rigan R31012/2700/27W/80/A30/EM1H	D115xH170xØ140mm±1mm	2700	2945	27W	110	30°
233134 Rigan R31012/3000/27W/80/A30/EM1H	D115xH170xØ140mm±1mm	3000	2970	27W	110	30°
233135 Rigan R31012/3500/27W/80/A30/EM1H	D115xH170xØ140mm±1mm	3500	3055	27W	114	30°
233136 Rigan R31012/4000/27W/80/A30/EM1H	D115xH170xØ140mm±1mm	4000	3135	27W	117	30°
233138 Rigan R31012/2700/27W/80/A45/EM1H	D115xH170xØ140mm±1mm	2700	2945	27W	110	45°
233139 Rigan R31012/3000/27W/80/A45/EM1H	D115xH170xØ140mm±1mm	3000	2970	27W	110	45°
233140 Rigan R31012/3500/27W/80/A45/EM1H	D115xH170xØ140mm±1mm	3500	3055	27W	114	45°
233141 Rigan R31012/4000/27W/80/A45/EM1H	D115xH170xØ140mm±1mm	4000	3135	27W	117	45°
233143 Rigan R31012/2700/27W/80/A60/EM1H	D115xH170xØ140mm±1mm	2700	2945	27W	110	60°
233144 Rigan R31012/3000/27W/80/A60/EM1H	D115xH170xØ140mm±1mm	3000	2970	27W	110	60°
233145 Rigan R31012/3500/27W/80/A60/EM1H	D115xH170xØ140mm±1mm	3500	3055	27W	114	60°
233146 Rigan R31012/4000/27W/80/A60/EM1H	D115xH170xØ140mm±1mm	4000	3135	27W	117	60°
233380 Rigan R31012/BVF/27W/80/A15/EM1H	D115xH170xØ140mm±1mm	BVF	2065	27W	77	15°
233381 Rigan R31012/FBS/27W/80/A15/EM1H	D115xH170xØ140mm±1mm	FBS	1635	27W	61	15°

SKU SPECIFICATIONS

Product Code	Dimensions (mm)	CCT (K)	Lumens (lm)	Power (W)	Eff. (lm/watt)	Lens Angle (°)
<b>CRI 80</b>						
233382 Rigan R31012/FZM/27W/80/A15/EM1H	D115xH170xØ140mm±1mm	FZM	1530	27W	57	15°
233383 Rigan R31012/FSM/27W/80/A15/EM1H	D115xH170xØ140mm±1mm	FSM	1530	27W	57	15°
233384 Rigan R31012/FSH/27W/80/A15/EM1H	D115xH170xØ140mm±1mm	FSH	2250	27W	84	15°
233385 Rigan R31012/BVF/27W/80/A30/EM1H	D115xH170xØ140mm±1mm	BVF	2065	27W	77	30°
233386 Rigan R31012/FBS/27W/80/A30/EM1H	D115xH170xØ140mm±1mm	FBS	1635	27W	61	30°
233387 Rigan R31012/FZM/27W/80/A30/EM1H	D115xH170xØ140mm±1mm	FZM	1530	27W	57	30°
233388 Rigan R31012/FSM/27W/80/A30/EM1H	D115xH170xØ140mm±1mm	FSM	1530	27W	57	30°
233389 Rigan R31012/FSH/27W/80/A30/EM1H	D115xH170xØ140mm±1mm	FSH	2250	27W	84	30°
233390 Rigan R31012/BVF/27W/80/A45/EM1H	D115xH170xØ140mm±1mm	BVF	2065	27W	77	45°
233391 Rigan R31012/FBS/27W/80/A45/EM1H	D115xH170xØ140mm±1mm	FBS	1635	27W	61	45°
233160 Rigan R31012/FZM/27W/80/A45/EM1H	D115xH170xØ140mm±1mm	FZM	1530	27W	57	45°
233161 Rigan R31012/FSM/27W/80/A45/EM1H	D115xH170xØ140mm±1mm	FSM	1530	27W	57	45°
233162 Rigan R31012/FSH/27W/80/A45/EM1H	D115xH170xØ140mm±1mm	FSH	2250	27W	84	45°
233163 Rigan R31012/BVF/27W/80/A60/EM1H	D115xH170xØ140mm±1mm	BVF	2065	27W	77	60°
233164 Rigan R31012/FBS/27W/80/A60/EM1H	D115xH170xØ140mm±1mm	FBS	1635	27W	61	60°
233165 Rigan R31012/FZM/27W/80/A60/EM1H	D115xH170xØ140mm±1mm	FZM	1530	27W	57	60°
233166 Rigan R31012/FSM/27W/80/A60/EM1H	D115xH170xØ140mm±1mm	FSM	1530	27W	57	60°
233167 Rigan R31012/FSH/27W/80/A60/EM1H	D115xH170xØ140mm±1mm	FSH	2250	27W	84	60°
233180 Rigan R31012/2700/14W/80/A15/EM3H	D115xH170xØ140mm±1mm	2700	1485	14W	107	15°
233181 Rigan R31012/3000/14W/80/A15/EM3H	D115xH170xØ140mm±1mm	3000	1500	14W	108	15°
233182 Rigan R31012/3500/14W/80/A15/EM3H	D115xH170xØ140mm±1mm	3500	1540	14W	110	15°
233183 Rigan R31012/4000/14W/80/A15/EM3H	D115xH170xØ140mm±1mm	4000	1570	14W	113	15°
233185 Rigan R31012/2700/14W/80/A30/EM3H	D115xH170xØ140mm±1mm	2700	1485	14W	107	30°
233186 Rigan R31012/3000/14W/80/A30/EM3H	D115xH170xØ140mm±1mm	3000	1500	14W	108	30°
233187 Rigan R31012/3500/14W/80/A30/EM3H	D115xH170xØ140mm±1mm	3500	1540	14W	110	30°
233188 Rigan R31012/4000/14W/80/A30/EM3H	D115xH170xØ140mm±1mm	4000	1570	14W	113	30°
233190 Rigan R31012/2700/14W/80/A45/EM3H	D115xH170xØ140mm±1mm	2700	1485	14W	107	45°
233191 Rigan R31012/3000/14W/80/A45/EM3H	D115xH170xØ140mm±1mm	3000	1500	14W	108	45°
233192 Rigan R31012/3500/14W/80/A45/EM3H	D115xH170xØ140mm±1mm	3500	1540	14W	110	45°
233193 Rigan R31012/4000/14W/80/A45/EM3H	D115xH170xØ140mm±1mm	4000	1570	14W	113	45°
233195 Rigan R31012/2700/14W/80/A60/EM3H	D115xH170xØ140mm±1mm	2700	1485	14W	107	60°
233196 Rigan R31012/3000/14W/80/A60/EM3H	D115xH170xØ140mm±1mm	3000	1500	14W	108	60°
233197 Rigan R31012/3500/14W/80/A60/EM3H	D115xH170xØ140mm±1mm	3500	1540	14W	110	60°
233198 Rigan R31012/4000/14W/80/A60/EM3H	D115xH170xØ140mm±1mm	4000	1570	14W	113	60°
233200 Rigan R31012/2700/20W/80/A15/EM3H	D115xH170xØ140mm±1mm	2700	2080	20W	104	15°
233201 Rigan R31012/3000/20W/80/A15/EM3H	D115xH170xØ140mm±1mm	3000	2100	20W	105	15°
233202 Rigan R31012/3500/20W/80/A15/EM3H	D115xH170xØ140mm±1mm	3500	2160	20W	108	15°
233203 Rigan R31012/4000/20W/80/A15/EM3H	D115xH170xØ140mm±1mm	4000	2200	20W	110	15°
233205 Rigan R31012/2700/20W/80/A30/EM3H	D115xH170xØ140mm±1mm	2700	2080	20W	104	30°
233206 Rigan R31012/3000/20W/80/A30/EM3H	D115xH170xØ140mm±1mm	3000	2100	20W	105	30°
233207 Rigan R31012/3500/20W/80/A30/EM3H	D115xH170xØ140mm±1mm	3500	2160	20W	108	30°
233208 Rigan R31012/4000/20W/80/A30/EM3H	D115xH170xØ140mm±1mm	4000	2200	20W	110	30°
233210 Rigan R31012/2700/20W/80/A45/EM3H	D115xH170xØ140mm±1mm	2700	2080	20W	104	45°
233211 Rigan R31012/3000/20W/80/A45/EM3H	D115xH170xØ140mm±1mm	3000	2100	20W	105	45°
233212 Rigan R31012/3500/20W/80/A45/EM3H	D115xH170xØ140mm±1mm	3500	2160	20W	108	45°
233213 Rigan R31012/4000/20W/80/A45/EM3H	D115xH170xØ140mm±1mm	4000	2200	20W	110	45°
233215 Rigan R31012/2700/20W/80/A60/EM3H	D115xH170xØ140mm±1mm	2700	2080	20W	104	60°
233216 Rigan R31012/3000/20W/80/A60/EM3H	D115xH170xØ140mm±1mm	3000	2100	20W	105	60°
233217 Rigan R31012/3500/20W/80/A60/EM3H	D115xH170xØ140mm±1mm	3500	2160	20W	108	60°
233218 Rigan R31012/4000/20W/80/A60/EM3H	D115xH170xØ140mm±1mm	4000	2200	20W	110	60°

SKU SPECIFICATIONS

Product Code	Dimensions (mm)	CCT (K)	Lumens (lm)	Power (W)	Eff. (lm/watt)	Lens Angle (°)
<b>CRI 80</b>						
233220 Rigan R31012/2700/27W/80/A15/EM3H	D115xH170xØ140mm±1mm	2700	2945	27W	110	15°
233221 Rigan R31012/3000/27W/80/A15/EM3H	D115xH170xØ140mm±1mm	3000	2970	27W	110	15°
233222 Rigan R31012/3500/27W/80/A15/EM3H	D115xH170xØ140mm±1mm	3500	3055	27W	114	15°
233223 Rigan R31012/4000/27W/80/A15/EM3H	D115xH170xØ140mm±1mm	4000	3135	27W	117	15°
233225 Rigan R31012/2700/27W/80/A30/EM3H	D115xH170xØ140mm±1mm	2700	2945	27W	110	30°
233226 Rigan R31012/3000/27W/80/A30/EM3H	D115xH170xØ140mm±1mm	3000	2970	27W	110	30°
233227 Rigan R31012/3500/27W/80/A30/EM3H	D115xH170xØ140mm±1mm	3500	3055	27W	114	30°
233228 Rigan R31012/4000/27W/80/A30/EM3H	D115xH170xØ140mm±1mm	4000	3135	27W	117	30°
233230 Rigan R31012/2700/27W/80/A45/EM3H	D115xH170xØ140mm±1mm	2700	2945	27W	110	45°
233231 Rigan R31012/3000/27W/80/A45/EM3H	D115xH170xØ140mm±1mm	3000	2970	27W	110	45°
233232 Rigan R31012/3500/27W/80/A45/EM3H	D115xH170xØ140mm±1mm	3500	3055	27W	114	45°
233233 Rigan R31012/4000/27W/80/A45/EM3H	D115xH170xØ140mm±1mm	4000	3135	27W	117	45°
233235 Rigan R31012/2700/27W/80/A60/EM3H	D115xH170xØ140mm±1mm	2700	2945	27W	110	60°
233236 Rigan R31012/3000/27W/80/A60/EM3H	D115xH170xØ140mm±1mm	3000	2970	27W	110	60°
233237 Rigan R31012/3500/27W/80/A60/EM3H	D115xH170xØ140mm±1mm	3500	3055	27W	114	60°
233238 Rigan R31012/4000/27W/80/A60/EM3H	D115xH170xØ140mm±1mm	4000	3135	27W	117	60°
233240 Rigan R31012/BVF/27W/80/A15/EM3H	D115xH170xØ140mm±1mm	BVF	2065	27W	77	15°
233241 Rigan R31012/FBS/27W/80/A15/EM3H	D115xH170xØ140mm±1mm	FBS	1635	27W	61	15°
233242 Rigan R31012/FZM/27W/80/A15/EM3H	D115xH170xØ140mm±1mm	FZM	1530	27W	57	15°
233243 Rigan R31012/FSM/27W/80/A15/EM3H	D115xH170xØ140mm±1mm	FSM	1530	27W	57	15°
233244 Rigan R31012/FSH/27W/80/A15/EM3H	D115xH170xØ140mm±1mm	FSH	2250	27W	84	15°
233245 Rigan R31012/BVF/27W/80/A30/EM3H	D115xH170xØ140mm±1mm	BVF	2065	27W	77	30°
233246 Rigan R31012/FBS/27W/80/A30/EM3H	D115xH170xØ140mm±1mm	FBS	1635	27W	61	30°
233247 Rigan R31012/FZM/27W/80/A30/EM3H	D115xH170xØ140mm±1mm	FZM	1530	27W	57	30°
233248 Rigan R31012/FSM/27W/80/A30/EM3H	D115xH170xØ140mm±1mm	FSM	1530	27W	57	30°
233249 Rigan R31012/FSH/27W/80/A30/EM3H	D115xH170xØ140mm±1mm	FSH	2250	27W	84	30°
233250 Rigan R31012/BVF/27W/80/A45/EM3H	D115xH170xØ140mm±1mm	BVF	2065	27W	77	45°
233251 Rigan R31012/FBS/27W/80/A45/EM3H	D115xH170xØ140mm±1mm	FBS	1635	27W	61	45°
233252 Rigan R31012/FZM/27W/80/A45/EM3H	D115xH170xØ140mm±1mm	FZM	1530	27W	57	45°
233253 Rigan R31012/FSM/27W/80/A45/EM3H	D115xH170xØ140mm±1mm	FSM	1530	27W	57	45°
233254 Rigan R31012/FSH/27W/80/A45/EM3H	D115xH170xØ140mm±1mm	FSH	2250	27W	84	45°
233255 Rigan R31012/BVF/27W/80/A60/EM3H	D115xH170xØ140mm±1mm	BVF	2065	27W	77	60°
233256 Rigan R31012/FBS/27W/80/A60/EM3H	D115xH170xØ140mm±1mm	FBS	1635	27W	61	60°
233257 Rigan R31012/FZM/27W/80/A60/EM3H	D115xH170xØ140mm±1mm	FZM	1530	27W	57	60°
233258 Rigan R31012/FSM/27W/80/A60/EM3H	D115xH170xØ140mm±1mm	FSM	1530	27W	57	60°
233259 Rigan R31012/FSH/27W/80/A60/EM3H	D115xH170xØ140mm±1mm	FSH	2250	27W	84	60°

<b>CRI 93</b>						
233308 Rigan R31012/AGI3000/12W/93/A15/EM1H	D115xH170xØ140mm±1mm	AGI3000	735	12W	62	15°
233309 Rigan R31012/AGI3500/12W/93/A15/EM1H	D115xH170xØ140mm±1mm	AGI3500	780	12W	65	15°
233310 Rigan R31012/AGI4000/12W/93/A15/EM1H	D115xH170xØ140mm±1mm	AGI4000	830	12W	70	15°
233311 Rigan R31012/AGI3000/12W/93/A30/EM1H	D115xH170xØ140mm±1mm	AGI3000	735	12W	62	30°
233312 Rigan R31012/AGI3500/12W/93/A30/EM1H	D115xH170xØ140mm±1mm	AGI3500	780	12W	65	30°
233313 Rigan R31012/AGI4000/12W/93/A30/EM1H	D115xH170xØ140mm±1mm	AGI4000	830	12W	70	30°
233314 Rigan R31012/AGI3000/12W/93/A45/EM1H	D115xH170xØ140mm±1mm	AGI3000	735	12W	62	45°
233315 Rigan R31012/AGI3500/12W/93/A45/EM1H	D115xH170xØ140mm±1mm	AGI3500	780	12W	65	45°
233316 Rigan R31012/AGI4000/12W/93/A45/EM1H	D115xH170xØ140mm±1mm	AGI4000	830	12W	70	45°
233317 Rigan R31012/AGI3000/12W/93/A60/EM1H	D115xH170xØ140mm±1mm	AGI3000	735	12W	62	60°
233318 Rigan R31012/AGI3500/12W/93/A60/EM1H	D115xH170xØ140mm±1mm	AGI3500	780	12W	65	60°
233319 Rigan R31012/AGI4000/12W/93/A60/EM1H	D115xH170xØ140mm±1mm	AGI4000	830	12W	70	60°



SKU SPECIFICATIONS

Product Code	Dimensions (mm)	CCT (K)	Lumens (lm)	Power (W)	Eff. (lm/watt)	Lens Angle (°)
<b>CRI 93</b>						
233320 Rigan R31012/AGI3000/17W/93/A15/EM1H	D115xH170xØ140mm±1mm	AGI3000	985	17W	58	15°
233321 Rigan R31012/AGI3500/17W/93/A15/EM1H	D115xH170xØ140mm±1mm	AGI3500	1050	17W	62	15°
233322 Rigan R31012/AGI4000/17W/93/A15/EM1H	D115xH170xØ140mm±1mm	AGI4000	1115	17W	66	15°
233323 Rigan R31012/AGI3000/17W/93/A30/EM1H	D115xH170xØ140mm±1mm	AGI3000	985	17W	58	30°
233324 Rigan R31012/AGI3500/17W/93/A30/EM1H	D115xH170xØ140mm±1mm	AGI3500	1050	17W	62	30°
233325 Rigan R31012/AGI4000/17W/93/A30/EM1H	D115xH170xØ140mm±1mm	AGI4000	1115	17W	66	30°
233326 Rigan R31012/AGI3000/17W/93/A45/EM1H	D115xH170xØ140mm±1mm	AGI3000	985	17W	58	45°
233327 Rigan R31012/AGI3500/17W/93/A45/EM1H	D115xH170xØ140mm±1mm	AGI3500	1050	17W	62	45°
233328 Rigan R31012/AGI4000/17W/93/A45/EM1H	D115xH170xØ140mm±1mm	AGI4000	1115	17W	66	45°
233329 Rigan R31012/AGI3000/17W/93/A60/EM1H	D115xH170xØ140mm±1mm	AGI3000	985	17W	58	60°
233330 Rigan R31012/AGI3500/17W/93/A60/EM1H	D115xH170xØ140mm±1mm	AGI3500	1050	17W	62	60°
233331 Rigan R31012/AGI4000/17W/93/A60/EM1H	D115xH170xØ140mm±1mm	AGI4000	1115	17W	66	60°
233332 Rigan R31012/AGI3000/23W/93/A15/EM1H	D115xH170xØ140mm±1mm	AGI3000	1330	23W	58	15°
233333 Rigan R31012/AGI3500/23W/93/A15/EM1H	D115xH170xØ140mm±1mm	AGI3500	1440	23W	63	15°
233334 Rigan R31012/AGI4000/23W/93/A15/EM1H	D115xH170xØ140mm±1mm	AGI4000	1550	23W	68	15°
233335 Rigan R31012/AGI3000/23W/93/A30/EM1H	D115xH170xØ140mm±1mm	AGI3000	1330	23W	58	30°
233336 Rigan R31012/AGI3500/23W/93/A30/EM1H	D115xH170xØ140mm±1mm	AGI3500	1440	23W	63	30°
233337 Rigan R31012/AGI4000/23W/93/A30/EM1H	D115xH170xØ140mm±1mm	AGI4000	1550	23W	68	30°
233338 Rigan R31012/AGI3000/23W/93/A45/EM1H	D115xH170xØ140mm±1mm	AGI3000	1330	23W	58	45°
233339 Rigan R31012/AGI3500/23W/93/A45/EM1H	D115xH170xØ140mm±1mm	AGI3500	1440	23W	63	45°
233340 Rigan R31012/AGI4000/23W/93/A45/EM1H	D115xH170xØ140mm±1mm	AGI4000	1550	23W	68	45°
233341 Rigan R31012/AGI3000/23W/93/A60/EM1H	D115xH170xØ140mm±1mm	AGI3000	1330	23W	58	60°
233342 Rigan R31012/AGI3500/23W/93/A60/EM1H	D115xH170xØ140mm±1mm	AGI3500	1440	23W	63	60°
233343 Rigan R31012/AGI4000/23W/93/A60/EM1H	D115xH170xØ140mm±1mm	AGI4000	1550	23W	68	60°
233344 Rigan R31012/AGI3000/12W/93/A15/EM3H	D115xH170xØ140mm±1mm	AGI3000	735	12W	62	15°
233345 Rigan R31012/AGI3500/12W/93/A15/EM3H	D115xH170xØ140mm±1mm	AGI3500	780	12W	65	15°
233346 Rigan R31012/AGI4000/12W/93/A15/EM3H	D115xH170xØ140mm±1mm	AGI4000	830	12W	70	15°
233347 Rigan R31012/AGI3000/12W/93/A30/EM3H	D115xH170xØ140mm±1mm	AGI3000	735	12W	62	30°
233348 Rigan R31012/AGI3500/12W/93/A30/EM3H	D115xH170xØ140mm±1mm	AGI3500	780	12W	65	30°
233349 Rigan R31012/AGI4000/12W/93/A30/EM3H	D115xH170xØ140mm±1mm	AGI4000	830	12W	70	30°
233350 Rigan R31012/AGI3000/12W/93/A45/EM3H	D115xH170xØ140mm±1mm	AGI3000	735	12W	62	45°
233351 Rigan R31012/AGI3500/12W/93/A45/EM3H	D115xH170xØ140mm±1mm	AGI3500	780	12W	65	45°
233352 Rigan R31012/AGI4000/12W/93/A45/EM3H	D115xH170xØ140mm±1mm	AGI4000	830	12W	70	45°
233353 Rigan R31012/AGI3000/12W/93/A60/EM3H	D115xH170xØ140mm±1mm	AGI3000	735	12W	62	60°
233354 Rigan R31012/AGI3500/12W/93/A60/EM3H	D115xH170xØ140mm±1mm	AGI3500	780	12W	65	60°
233355 Rigan R31012/AGI4000/12W/93/A60/EM3H	D115xH170xØ140mm±1mm	AGI4000	830	12W	70	60°
233356 Rigan R31012/AGI3000/17W/93/A15/EM3H	D115xH170xØ140mm±1mm	AGI3000	985	17W	58	15°
233357 Rigan R31012/AGI3500/17W/93/A15/EM3H	D115xH170xØ140mm±1mm	AGI3500	1050	17W	62	15°
233358 Rigan R31012/AGI4000/17W/93/A15/EM3H	D115xH170xØ140mm±1mm	AGI4000	1115	17W	66	15°
233359 Rigan R31012/AGI3000/17W/93/A30/EM3H	D115xH170xØ140mm±1mm	AGI3000	985	17W	58	30°
233360 Rigan R31012/AGI3500/17W/93/A30/EM3H	D115xH170xØ140mm±1mm	AGI3500	1050	17W	62	30°
233361 Rigan R31012/AGI4000/17W/93/A30/EM3H	D115xH170xØ140mm±1mm	AGI4000	1115	17W	66	30°
233362 Rigan R31012/AGI3000/17W/93/A45/EM3H	D115xH170xØ140mm±1mm	AGI3000	985	17W	58	45°
233363 Rigan R31012/AGI3500/17W/93/A45/EM3H	D115xH170xØ140mm±1mm	AGI3500	1050	17W	62	45°
233364 Rigan R31012/AGI4000/17W/93/A45/EM3H	D115xH170xØ140mm±1mm	AGI4000	1115	17W	66	45°
233365 Rigan R31012/AGI3000/17W/93/A60/EM3H	D115xH170xØ140mm±1mm	AGI3000	985	17W	58	60°
233366 Rigan R31012/AGI3500/17W/93/A60/EM3H	D115xH170xØ140mm±1mm	AGI3500	1050	17W	62	60°
233367 Rigan R31012/AGI4000/17W/93/A60/EM3H	D115xH170xØ140mm±1mm	AGI4000	1115	17W	66	60°
233368 Rigan R31012/AGI3000/23W/93/A15/EM3H	D115xH170xØ140mm±1mm	AGI3000	1330	23W	58	15°
233369 Rigan R31012/AGI3500/23W/93/A15/EM3H	D115xH170xØ140mm±1mm	AGI3500	1440	23W	63	15°

## SKU SPECIFICATIONS

Product Code	Dimensions (mm)	CCT (K)	Lumens (lm)	Power (W)	Eff. (lm/watt)	Lens Angle (°)
<b>CRI 93</b>						
233370 Rigan R31012/AGI4000/23W/93/A15/EM3H	D115xH170xØ140mm±1mm	AGI4000	1550	23W	68	15°
233371 Rigan R31012/AGI3000/23W/93/A30/EM3H	D115xH170xØ140mm±1mm	AGI3000	1330	23W	58	30°
233372 Rigan R31012/AGI3500/23W/93/A30/EM3H	D115xH170xØ140mm±1mm	AGI3500	1440	23W	63	30°
233373 Rigan R31012/AGI4000/23W/93/A30/EM3H	D115xH170xØ140mm±1mm	AGI4000	1550	23W	68	30°
233374 Rigan R31012/AGI3000/23W/93/A45/EM3H	D115xH170xØ140mm±1mm	AGI3000	1330	23W	58	45°
233375 Rigan R31012/AGI3500/23W/93/A45/EM3H	D115xH170xØ140mm±1mm	AGI3500	1440	23W	63	45°
233376 Rigan R31012/AGI4000/23W/93/A45/EM3H	D115xH170xØ140mm±1mm	AGI4000	1550	23W	68	45°
233377 Rigan R31012/AGI3000/23W/93/A60/EM3H	D115xH170xØ140mm±1mm	AGI3000	1330	23W	58	60°
233378 Rigan R31012/AGI3500/23W/93/A60/EM3H	D115xH170xØ140mm±1mm	AGI3500	1440	23W	63	60°
233379 Rigan R31012/AGI4000/23W/93/A60/EM3H	D115xH170xØ140mm±1mm	AGI4000	1550	23W	68	60°
<b>CRI 95</b>						
233168 Rigan R31012/FAS/27W/95/A15/EM1H	D115xH170xØ140mm±1mm	FAS	2080	27W	78	15°
233169 Rigan R31012/FAS/27W/95/A30/EM1H	D115xH170xØ140mm±1mm	FAS	2080	27W	78	30°
233170 Rigan R31012/FAS/27W/95/A45/EM1H	D115xH170xØ140mm±1mm	FAS	2080	27W	78	45°
233171 Rigan R31012/FAS/27W/95/A60/EM1H	D115xH170xØ140mm±1mm	FAS	2080	27W	78	60°
233260 Rigan R31012/FAS/27W/95/A15/EM3H	D115xH170xØ140mm±1mm	FAS	2080	27W	78	15°
233261 Rigan R31012/FAS/27W/95/A30/EM3H	D115xH170xØ140mm±1mm	FAS	2080	27W	78	30°
233262 Rigan R31012/FAS/27W/95/A45/EM3H	D115xH170xØ140mm±1mm	FAS	2080	27W	78	45°
233263 Rigan R31012/FAS/27W/95/A60/EM3H	D115xH170xØ140mm±1mm	FAS	2080	27W	78	60°
<b>CRI 98</b>						
233176 Rigan R31012/ART3000/27W/98/A15/EM1H	D115xH170xØ140mm±1mm	ART3000	1995	27W	74	15°
233177 Rigan R31012/ART3000/27W/98/A30/EM1H	D115xH170xØ140mm±1mm	ART3000	1995	27W	74	30°
233178 Rigan R31012/ART3000/27W/98/A45/EM1H	D115xH170xØ140mm±1mm	ART3000	1995	27W	74	45°
233179 Rigan R31012/ART3000/27W/98/A60/EM1H	D115xH170xØ140mm±1mm	ART3000	1995	27W	74	60°
233268 Rigan R31012/ART3000/27W/98/A15/EM3H	D115xH170xØ140mm±1mm	ART3000	1995	27W	74	15°
233269 Rigan R31012/ART3000/27W/98/A30/EM3H	D115xH170xØ140mm±1mm	ART3000	1995	27W	74	30°
233270 Rigan R31012/ART3000/27W/98/A45/EM3H	D115xH170xØ140mm±1mm	ART3000	1995	27W	74	45°
233271 Rigan R31012/ART3000/27W/98/A60/EM3H	D115xH170xØ140mm±1mm	ART3000	1995	27W	74	60°