



## Orsini2

### TRACK SPOTLIGHT | **NON-DALI SERIES**

A flexible and adjustable spotlight that emphasizes areas in your store or gallery. The spotlight will answer your requirements through simple and efficient design that offers an adjustable light beam angle between 20° and 26° for directional and accent lighting.

Orsini2 has several series, determined by various add-on and controls:

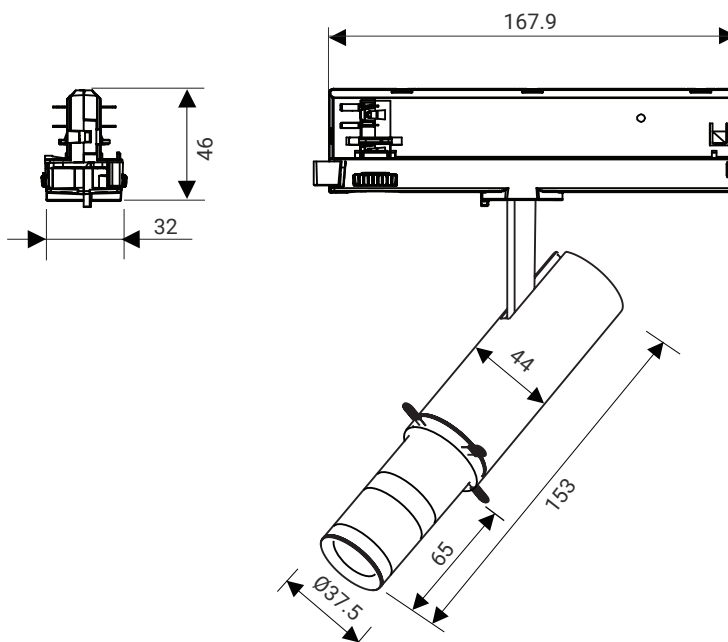
- Orsini Non-DALI: the standard version
- Orsini DALI – with DALI controls for illumination adjustments

### FEATURES & BENEFITS

- CRI 90 as standard
- Color temperatures: 3000K
- Angle: adjustable ( 20° and 26° )

### APPLICATION

Grocery & Supermarket | Retail | Art & Exhibition



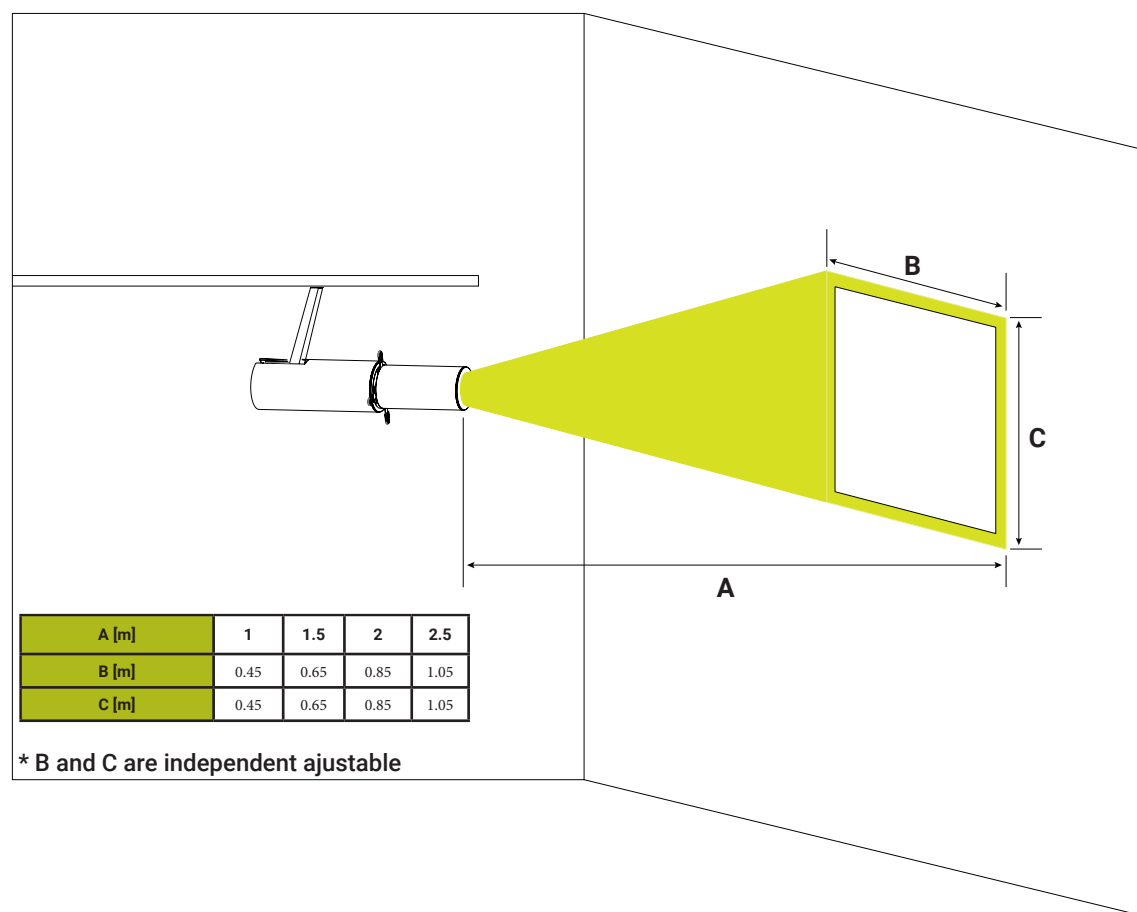
**SPECIFICATIONS**

|                            |                         |
|----------------------------|-------------------------|
| Power consumption          | 10W                     |
| Dimensions                 | Ø44x143±1mm             |
| Weight                     | 0.40 Kg                 |
| Housing materials          | Aluminium, Glass        |
| Protection class           | Safety class II         |
| Power factor               | >0.95                   |
| Operating temperature [°C] | +5°C ... +35°C          |
| AC Input [Vac]             | 220 - 240 VAC           |
| Lens angle [°]             | AVAR (20° to 26°)       |
| Lifespan [h]               | 50.000                  |
| Housing color              | ○ - White, ● - Black,   |
| Lumen maintenance          | L90/B10@50.000h at 25°C |
| IP factor                  | IP20                    |
| Control optional           | -                       |
| Warranty [years]           | 5                       |

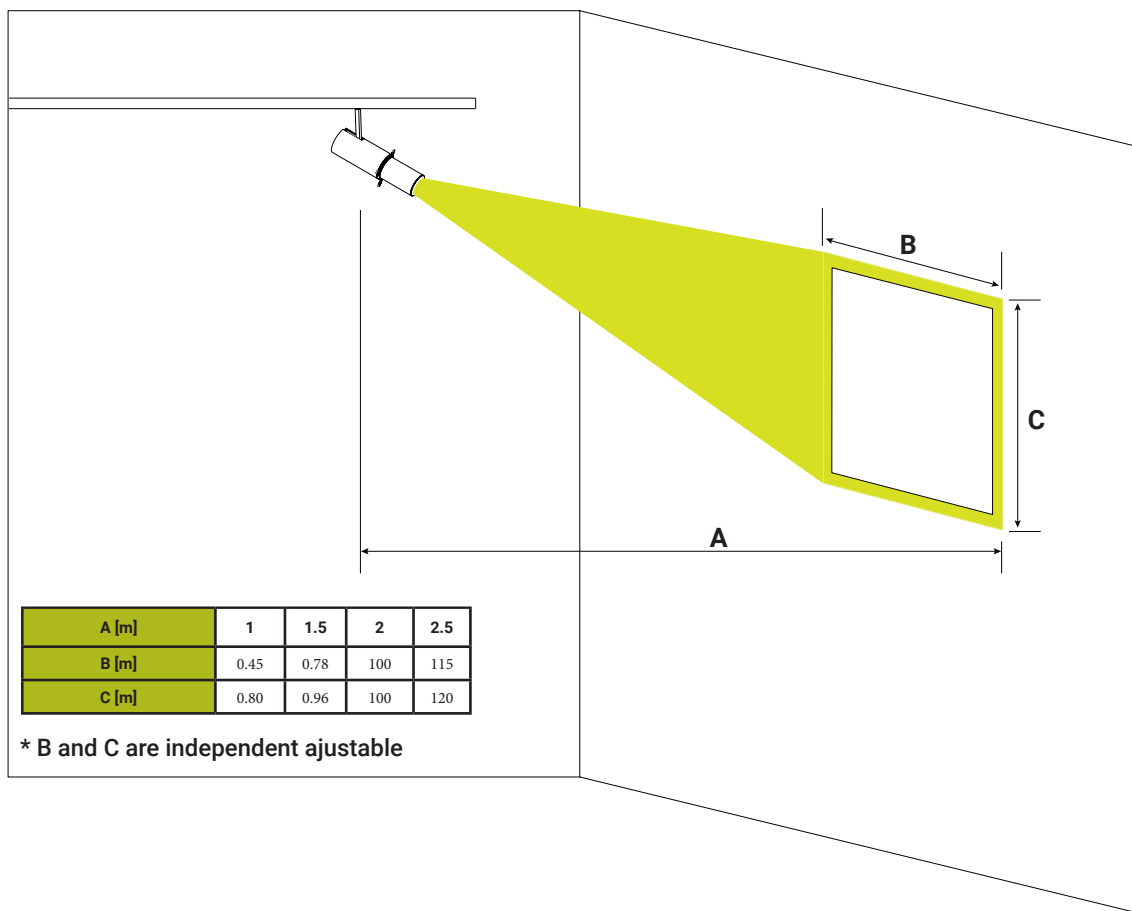
|         |          |
|---------|----------|
| #       | Standard |
| CRI     | CRI 90   |
| CCT [K] | 3000K    |
| MacAdam | 3        |

CRI - Color rendering, CCT - Color temperature, MacAdam - Color consistency

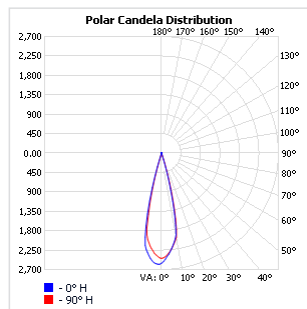
**PHOTOMETRY**



\* B and C are independent adjustable



LIGHT DISTRIBUTION



SKU SPECIFICATIONS

| Product Code                              | Dimensions (mm) | CCT (K) | Lumens (lm) | Power (W) | Eff. (lm/watt) | Lens Angle (°) |
|---|-----------------|---------|-------------|-----------|----------------|----------------|
| <b>CRI 90</b>                             |                 |         |             |           |                |                |
| 1D7ES186 Orsini2 S34833/AVAR/10W/3000K/90 | Ø44x143±1mm     | 3000K   | 350         | 10W       | 35             | AVAR           |

Technical specifications can be modified without prior notice. All information is property of Greentek Lighting. The presentation picture is for information purposes only. Latest document update: August 9, 2024 12:08 PM. [www.greentek.eu](http://www.greentek.eu)