

# Jasper

Surface Mounted & Suspended



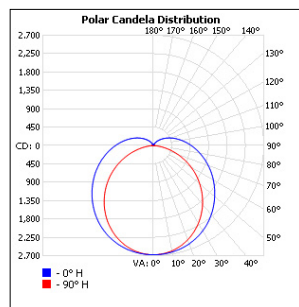
## FEATURES & BENEFITS

- Available in three form factors: 60cm, 120cm and 150cm
- One temperature: 4000K
- Robust and waterproof with IP66
- Lens angle: 110°
- Color rendering index: 80
- Efficiency @4000K: 153 lm/W
- DALI

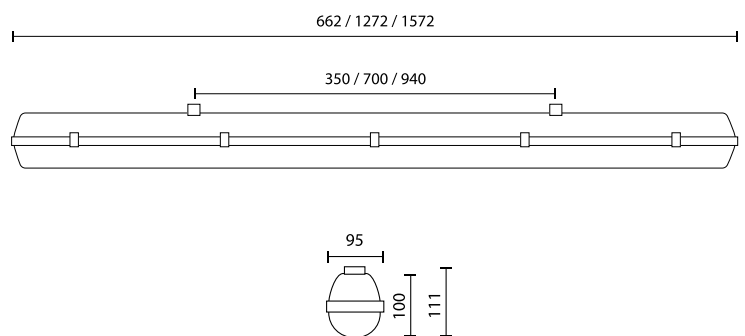
## APPLICATIONS

Shipping | Storage Facilities | Workshops |  
Industrial & Logistics | Parking

## LIGHT DISTRIBUTION



## TECHNICAL DRAW



## SPECIFICATIONS

|  |   |                       |                       |
|--|---|-----------------------|-----------------------|
| Power                                      | 8W, 10W, 14W  | 16W, 20W, 27W, 38W    | 20W, 24W, 33W, 45W    |
| Dimensions                                 | 662 x 95 x 100 ± 1mm  | 1272 x 95 x 100 ± 1mm | 1572 x 95 x 100 ± 1mm |
| Color Rendering                            | CRI80   |                       |                       |
| Housing materials                          | Polycarbonate   |                       |                       |
| IK Code                                    | IK10  |                       |                       |
| Operating temperature (°C) for Non-DALI    | -25°C...+45°C/-13F...+113F  |                       |                       |
| Operating temperature (°C) for Non-DALI EM | -25°C...+25°C/-13F...+77F   |                       |                       |
| Color temperature                          | 4000K   |                       |                       |
| Lens angle (°)                             | 110°  |                       |                       |
| Lifespan (h)                               | 50000   |                       |                       |
| Housing color                              | Grey  |                       |                       |
| Color consistency                          | MacAdam 3   |                       |                       |
| Lumen maintenance                          | L90/B10@50.000h at 25°C   |                       |                       |
| IP Rating                                  | IP66  |                       |                       |
| Control option                             | DALI  |                       |                       |
| Emergency option (only for Non-DALI EM)    | EM1H, EM3H  |                       |                       |
| Warranty (years)                           | 5 years   |                       |                       |
| Efficiency @4000K                          | 153 lm/W  |                       |                       |
| Luminous flux tolerance                    | +/- 10%   |                       |                       |
| Risk group                                 | <p>RG0</p> <p>The evaluation of photobiological safety is carried out according to the standard IEC 62471:2008 ("Photobiological safety of lamps and lamp systems"). Following the definition of the risk grouping system of the mentioned IEC standard, the LEDs mounted on this family fall into the class "No Risk (RG0 – No photobiological hazard)". Under real circumstances (regarding exposure time, pupils, observation distance, it is assumed that there is no endangerment to the eye from these devices. As a matter of principle, however, it should be mentioned that intense light sources have a high secondary exposure potential due to their blinding effect.</p> |                       |                       |

## MAXIMUM NO. OF LUMINAIRES ON A CIRCUIT

| Luminaire Configuration(cm) | Control type | Circuit Breaker Type |    |    |    |
|-----------------------------|--------------|----------------------|----|----|----|
|                             |              | B                    |    |    |    |
|                             |              | 16                   | 10 | 16 | 10 |
| 60                          | DALI         | 50                   | 32 | 85 | 52 |
| 120                         | DALI         | 16                   | 10 | 26 | 16 |
| 150                         | DALI         | 16                   | 10 | 26 | 16 |

## SKU SPECIFICATIONS

| Article Number                              | Dimensions<br>(mm)    | CCT<br>(K) | Lumens<br>(lm) | Power<br>(W) | Efficiency<br>(lm/watt) | Lens<br>angle<br>(degrees) | Weight<br>(kg) |
|---|-----------------------|------------|----------------|--------------|-------------------------|----------------------------|----------------|
| 274300 Jasper 60IP66/4000/8W/80/A110        | 662 x 95 x 100 ± 1mm  | 4000       | 1170           | 8W           | 146                     | 110°                       | 1.3 Kg         |
| 274301 Jasper 60IP66/4000/10W/80/A110       | 662 x 95 x 100 ± 1mm  | 4000       | 1410           | 10W          | 141                     | 110°                       | 1.3 Kg         |
| 274302 Jasper 60IP66/4000/14W/80/A110       | 662 x 95 x 100 ± 1mm  | 4000       | 1960           | 14W          | 140                     | 110°                       | 1.3 Kg         |
| 274303 Jasper 120IP66/4000/16W/80/A110      | 1272 x 95 x 100 ± 1mm | 4000       | 2300           | 16W          | 144                     | 110°                       | 1.9 Kg         |
| 274304 Jasper 120IP66/4000/20W/80/A110      | 1272 x 95 x 100 ± 1mm | 4000       | 2770           | 20W          | 139                     | 110°                       | 1.9 Kg         |
| 274305 Jasper 120IP66/4000/27W/80/A110      | 1272 x 95 x 100 ± 1mm | 4000       | 3870           | 27W          | 143                     | 110°                       | 1.9 Kg         |
| 274306 Jasper 120IP66/4000/38W/80/A110      | 1272 x 95 x 100 ± 1mm | 4000       | 5570           | 38W          | 147                     | 110°                       | 1.9 Kg         |
| 274307 Jasper 150IP66/4000/20W/80/A110      | 1572 x 95 x 100 ± 1mm | 4000       | 2880           | 20W          | 144                     | 110°                       | 2.3 Kg         |
| 274308 Jasper 150IP66/4000/24W/80/A110      | 1572 x 95 x 100 ± 1mm | 4000       | 3450           | 24W          | 144                     | 110°                       | 2.3 Kg         |
| 274309 Jasper 150IP66/4000/33W/80/A110      | 1572 x 95 x 100 ± 1mm | 4000       | 4820           | 33W          | 146                     | 110°                       | 2.3 Kg         |
| 274310 Jasper 150IP66/4000/45W/80/A110      | 1572 x 95 x 100 ± 1mm | 4000       | 6890           | 45W          | 153                     | 110°                       | 2.3 Kg         |
| <b>Equipped with 1 hour emergency kit</b>   |                       |            |                |              |                         |                            |                |
| 274314 Jasper 120IP66/4000/16W/80/A110/EM1H | 1272 x 95 x 100 ± 1mm | 4000       | 2300           | 16W          | 144                     | 110°                       | 1.9 Kg         |
| 274315 Jasper 120IP66/4000/20W/80/A110/EM1H | 1272 x 95 x 100 ± 1mm | 4000       | 2770           | 20W          | 139                     | 110°                       | 1.9 Kg         |
| 274316 Jasper 120IP66/4000/27W/80/A110/EM1H | 1272 x 95 x 100 ± 1mm | 4000       | 3870           | 27W          | 143                     | 110°                       | 1.9 Kg         |
| 274318 Jasper 150IP66/4000/20W/80/A110/EM1H | 1572 x 95 x 100 ± 1mm | 4000       | 2880           | 20W          | 144                     | 110°                       | 2.3 Kg         |
| 274319 Jasper 150IP66/4000/24W/80/A110/EM1H | 1572 x 95 x 100 ± 1mm | 4000       | 3450           | 24W          | 144                     | 110°                       | 2.3 Kg         |
| 274320 Jasper 150IP66/4000/33W/80/A110/EM1H | 1572 x 95 x 100 ± 1mm | 4000       | 4820           | 33W          | 146                     | 110°                       | 2.3 Kg         |
| <b>Equipped with 3 hours emergency kit</b>  |                       |            |                |              |                         |                            |                |
| 274325 Jasper 120IP66/4000/16W/80/A110/EM3H | 1272 x 95 x 100 ± 1mm | 4000       | 2300           | 16W          | 144                     | 110°                       | 1.9 Kg         |
| 274326 Jasper 120IP66/4000/20W/80/A110/EM3H | 1272 x 95 x 100 ± 1mm | 4000       | 2770           | 20W          | 139                     | 110°                       | 1.9 Kg         |
| 274327 Jasper 120IP66/4000/27W/80/A110/EM3H | 1272 x 95 x 100 ± 1mm | 4000       | 3870           | 27W          | 143                     | 110°                       | 1.9 Kg         |
| 274329 Jasper 150IP66/4000/20W/80/A110/EM3H | 1572 x 95 x 100 ± 1mm | 4000       | 2880           | 20W          | 144                     | 110°                       | 2.3 Kg         |
| 274330 Jasper 150IP66/4000/24W/80/A110/EM3H | 1572 x 95 x 100 ± 1mm | 4000       | 3450           | 24W          | 144                     | 110°                       | 2.3 Kg         |
| 274331 Jasper 150IP66/4000/33W/80/A110/EM3H | 1572 x 95 x 100 ± 1mm | 4000       | 4820           | 33W          | 146                     | 110°                       | 2.3 Kg         |