



Lyra L

RECESSED SPOTLIGHTS | DALI SERIES

Lyra is a modern recessed spotlight with built-in flexibility and adjustment options. It comes as an ideal solution for food presentation, fashion stores, showrooms, guest reception spaces or general indoor meeting places where controlling the lighting effect is needed. Lyra luminaires easily blend into the room or shop design while the round diffuser provides wonderful accent lighting.

Lyra comes in two color options: RAL 9003 - signal white and RAL 9005 - jet black, giving it a modern touch.

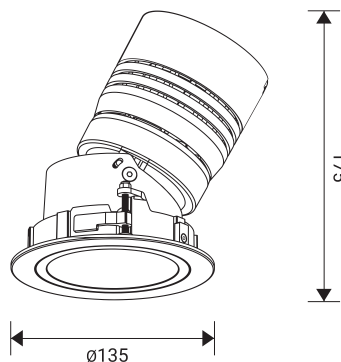
- Lyra L Non-DALI: the standard series
- [Lyra L DALI: with DALI controls for illumination adjustments](#)

FEATURES & BENEFITS

- CRI 80 as standard, up to 95 for certain special colors
- 9 color temperatures, including specialized options for fashion & retail, AGI light and hospitality light
- Long rated life: L90/B10@50.000h
- Luminaire efficiency: 71lm/w @4000K
- Dimmable

APPLICATION

Grocery & Supermarkets | Office | Healthcare | Hospitality | Retail | DIY



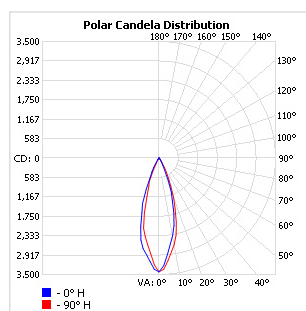
SPECIFICATIONS

Power consumption	13W, 14W, 19W, 20W, 25W, 27W, 33W, 35W
Dimensions	Ø135x175±1mm
Weight	1.1 Kg
Housing materials	Aluminium, Glass
IK code	IK02
THD (at 230V, 50Hz, Full load)	<8%
Protection class	Safety class 1
Operating temperature [°C]	-20°C ... +45°C / -4F ... +113F
Operating humidity [%]	10 ÷ 85
Power factor	≥0.95
AC Input [Vac]	220 - 240 VAC
Lens angle [°]	18°, 24°, 36°
Lifespan [h]	50,000
Housing color	○ RAL 9003 - Signal white, ● RAL 9005 - Jet black
Lumen maintenance	L90/B10@50,000h at 25°C
IP factor	IP20
Control optional	DALI
Warranty [years]	5
Storage temperature range [°C]	-20°C ... +55°C / -4F ... + 131F
Emergency option	-

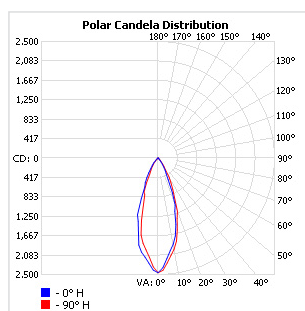
#	Standard	Fashion	AGI	AMB
CRI	CRI80	CRI95	CRI93	CRI80
CCT [K]	2700 / 3000 / 3500 / 4000	FAS	AGI 3000 / 3500 / 4000	2200
MacAdam	3	3	3	3

CRI - Color rendering, CCT - Color temperature, MacAdam - Color consistency

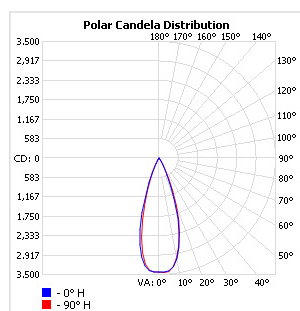
LIGHT DISTRIBUTION



18°



24°



36°

TOLERANCES**Luminous flux tolerances:** -/+ 5%**Consumption tolerance:** -/+ 5% for Non-DALI | -/+ 10% for Non-DALI & KIT EM | -/+ 10% for DALI | -/+ 15% for DALI & KIT EM**BATTERY WARRANTY****Non-DALI EM & DALI EM:** 12 months warranty**Non-DALI & DALI:** -**MAXIMUM NO. OF LUMINAIRES ON A CIRCUIT**

Luminaire Power(W)	Control type	Circuit Breaker Type					
		B			C		
		20	16	10	20	16	10
8-20W	Non-DALI	62	50	31	104	85	52
23-35W	Non-DALI	24	20	10	47	40	20
42W	Non-DALI	20	16	8	38	32	16
8-20W	DALI	62	50	31	104	85	52
23-27W	DALI	25	21	13	50	42	26
34-42W	DALI	17	14	9	34	28	18

RISK GROUP

Standard (CRI80)	RG1
FOOD (BVF, FBS, FSM)	RG1
FOOD ≤35W (FZM, FSH)	RG1
FOOD >35W (FZM, FSH)	RG2
FAS	RG1
AMB2200	RG1
ART	RG1
AGI	RG1
CRI90	RG1
CRI95	RG1
ENT	RG1

RG1

The evaluation of photobiological safety is carried out according to the standard IEC 62471:2008 ("Photobiological safety of lamps and lamp systems"). Following the definition of the risk grouping system of the mentioned IEC standard, the LEDs mounted on this family fall into the class "Low Risk (RG1 – No photobiological hazard under normal behavioral limitations)". Under real circumstances (regarding exposure time, pupils, observation distance), it is assumed that there is no endangerment to the eye from these devices. As a matter of principle, however, it should be mentioned that intense light sources have a high secondary exposure potential due to their blinding effect.

RG2

The evaluation of photobiological safety is carried out according to the standard IEC 62471:2008 ("Photobiological safety of lamps and lamp systems"). Following the definition of the risk grouping system of the mentioned IEC standard, the LEDs mounted on this family fall into the class "Moderate Risk (RG2)". Under real circumstances (regarding exposure time, pupils, observation distance), it is assumed that there is no endangerment to the eye from these devices. As a matter of principle, however, it should be mentioned that intense light sources have a high secondary exposure potential due to their blinding effect.

SKU SPECIFICATIONS

Product Code	Dimensions (mm)	CCT (K)	Lumens (lm)	Power (W)	Eff. (lm/watt)	Lens Angle (°)
CRI 80						
2A6050 LyraL D34054/2700/14W/80/A18	Ø135x175±1mm	2700	930	14W	67	18°
2A6051 LyraL D34054/3000/14W/80/A18	Ø135x175±1mm	3000	950	14W	68	18°
2A6052 LyraL D34054/3500/14W/80/A18	Ø135x175±1mm	3500	965	14W	69	18°
2A6053 LyraL D34054/4000/14W/80/A18	Ø135x175±1mm	4000	985	14W	71	18°
2A6054 LyraL D34054/2700/14W/80/A24	Ø135x175±1mm	2700	930	14W	67	24°
2A6055 LyraL D34054/3000/14W/80/A24	Ø135x175±1mm	3000	950	14W	68	24°
2A6056 LyraL D34054/3500/14W/80/A24	Ø135x175±1mm	3500	965	14W	69	24°
2A6057 LyraL D34054/4000/14W/80/A24	Ø135x175±1mm	4000	985	14W	71	24°
2A6058 LyraL D34054/2700/14W/80/A36	Ø135x175±1mm	2700	930	14W	67	36°
2A6059 LyraL D34054/3000/14W/80/A36	Ø135x175±1mm	3000	950	14W	68	36°
2A6060 LyraL D34054/3500/14W/80/A36	Ø135x175±1mm	3500	965	14W	69	36°
2A6061 LyraL D34054/4000/14W/80/A36	Ø135x175±1mm	4000	985	14W	71	36°
2A6062 LyraL D34054/2700/20W/80/A18	Ø135x175±1mm	2700	1280	20W	64	18°
2A6063 LyraL D34054/3000/20W/80/A18	Ø135x175±1mm	3000	1295	20W	65	18°
2A6064 LyraL D34054/3500/20W/80/A18	Ø135x175±1mm	3500	1330	20W	67	18°
2A6065 LyraL D34054/4000/20W/80/A18	Ø135x175±1mm	4000	1355	20W	68	18°
2A6066 LyraL D34054/2700/20W/80/A24	Ø135x175±1mm	2700	1280	20W	64	24°
2A6067 LyraL D34054/3000/20W/80/A24	Ø135x175±1mm	3000	1295	20W	65	24°
2A6068 LyraL D34054/3500/20W/80/A24	Ø135x175±1mm	3500	1330	20W	67	24°
2A6069 LyraL D34054/4000/20W/80/A24	Ø135x175±1mm	4000	1355	20W	68	24°
2A6070 LyraL D34054/2700/20W/80/A36	Ø135x175±1mm	2700	1280	20W	64	36°
2A6071 LyraL D34054/3000/20W/80/A36	Ø135x175±1mm	3000	1295	20W	65	36°
2A6072 LyraL D34054/3500/20W/80/A36	Ø135x175±1mm	3500	1330	20W	67	36°
2A6073 LyraL D34054/4000/20W/80/A36	Ø135x175±1mm	4000	1355	20W	68	36°
2A6074 LyraL D34054/2700/27W/80/A18	Ø135x175±1mm	2700	1575	27W	59	18°
2A6075 LyraL D34054/3000/27W/80/A18	Ø135x175±1mm	3000	1610	27W	60	18°
2A6076 LyraL D34054/3500/27W/80/A18	Ø135x175±1mm	3500	1630	27W	61	18°
2A6077 LyraL D34054/4000/27W/80/A18	Ø135x175±1mm	4000	1665	27W	62	18°
2A6078 LyraL D34054/2700/27W/80/A24	Ø135x175±1mm	2700	1575	27W	59	24°
2A6079 LyraL D34054/3000/27W/80/A24	Ø135x175±1mm	3000	1610	27W	60	24°
2A6080 LyraL D34054/3500/27W/80/A24	Ø135x175±1mm	3500	1630	27W	61	24°
2A6081 LyraL D34054/4000/27W/80/A24	Ø135x175±1mm	4000	1665	27W	62	24°
2A6082 LyraL D34054/2700/27W/80/A36	Ø135x175±1mm	2700	1575	27W	59	36°
2A6083 LyraL D34054/3000/27W/80/A36	Ø135x175±1mm	3000	1610	27W	60	36°
2A6084 LyraL D34054/3500/27W/80/A36	Ø135x175±1mm	3500	1630	27W	61	36°
2A6085 LyraL D34054/4000/27W/80/A36	Ø135x175±1mm	4000	1665	27W	62	36°
2A6086 LyraL D34054/2700/35W/80/A18	Ø135x175±1mm	2700	1860	35W	54	18°
2A6087 LyraL D34054/3000/35W/80/A18	Ø135x175±1mm	3000	1955	35W	56	18°
2A6088 LyraL D34054/3500/35W/80/A18	Ø135x175±1mm	3500	1925	35W	55	18°
2A6089 LyraL D34054/4000/35W/80/A18	Ø135x175±1mm	4000	1965	35W	57	18°
2A6090 LyraL D34054/2700/35W/80/A24	Ø135x175±1mm	2700	1860	35W	54	24°
2A6091 LyraL D34054/3000/35W/80/A24	Ø135x175±1mm	3000	1955	35W	56	24°
2A6092 LyraL D34054/3500/35W/80/A24	Ø135x175±1mm	3500	1925	35W	55	24°
2A6093 LyraL D34054/4000/35W/80/A24	Ø135x175±1mm	4000	1965	35W	57	24°
2A6094 LyraL D34054/2700/35W/80/A36	Ø135x175±1mm	2700	1860	35W	54	36°
2A6095 LyraL D34054/3000/35W/80/A36	Ø135x175±1mm	3000	1955	35W	56	36°
2A6096 LyraL D34054/3500/35W/80/A36	Ø135x175±1mm	3500	1925	35W	55	36°
2A6097 LyraL D34054/4000/35W/80/A36	Ø135x175±1mm	4000	1965	35W	57	36°
2A6098 LyraL D34054/AMB2200/14W/80/A18	Ø135x175±1mm	AMB2200	660	14W	48	18°
2A6099 LyraL D34054/AMB2200/14W/80/A24	Ø135x175±1mm	AMB2200	660	14W	48	24°

SKU SPECIFICATIONS

Product Code	Dimensions (mm)	CCT (K)	Lumens (lm)	Power (W)	Eff. (lm/watt)	Lens Angle (°)
CRI 80						
2A6100 LyraL D34054/AMB2200/14W/80/A36	Ø135x175±1mm	AMB2200	660	14W	48	36°
2A6101 LyraL D34054/AMB2200/20W/80/A18	Ø135x175±1mm	AMB2200	920	20W	46	18°
2A6102 LyraL D34054/AMB2200/20W/80/A24	Ø135x175±1mm	AMB2200	920	20W	46	24°
2A6103 LyraL D34054/AMB2200/20W/80/A36	Ø135x175±1mm	AMB2200	920	20W	46	36°
2A6104 LyraL D34054/AMB2200/27W/80/A18	Ø135x175±1mm	AMB2200	1155	27W	43	18°
2A6105 LyraL D34054/AMB2200/27W/80/A24	Ø135x175±1mm	AMB2200	1155	27W	43	24°
2A6106 LyraL D34054/AMB2200/27W/80/A36	Ø135x175±1mm	AMB2200	1155	27W	43	36°
2A6107 LyraL D34054/AMB2200/35W/80/A18	Ø135x175±1mm	AMB2200	1425	35W	41	18°
2A6108 LyraL D34054/AMB2200/35W/80/A24	Ø135x175±1mm	AMB2200	1425	35W	41	24°
2A6109 LyraL D34054/AMB2200/35W/80/A36	Ø135x175±1mm	AMB2200	1425	35W	41	36°
CRI 93						
2A6110 LyraL D34054/AGI3000/13W/93/A18	Ø135x175±1mm	AGI3000	555	13W	43	18°
2A6111 LyraL D34054/AGI3500/13W/93/A18	Ø135x175±1mm	AGI3500	630	13W	49	18°
2A6112 LyraL D34054/AGI4000/13W/93/A18	Ø135x175±1mm	AGI4000	630	13W	45	18°
2A6113 LyraL D34054/AGI3000/13W/93/A24	Ø135x175±1mm	AGI3000	555	13W	43	24°
2A6114 LyraL D34054/AGI3500/13W/93/A24	Ø135x175±1mm	AGI3500	630	13W	49	24°
2A6115 LyraL D34054/AGI4000/13W/93/A24	Ø135x175±1mm	AGI4000	630	13W	45	24°
2A6116 LyraL D34054/AGI3000/13W/93/A36	Ø135x175±1mm	AGI3000	555	13W	43	36°
2A6117 LyraL D34054/AGI3500/13W/93/A36	Ø135x175±1mm	AGI3500	630	13W	49	36°
2A6118 LyraL D34054/AGI4000/13W/93/A36	Ø135x175±1mm	AGI4000	630	13W	45	36°
2A6119 LyraL D34054/AGI3000/19W/93/A18	Ø135x175±1mm	AGI3000	760	19W	40	18°
2A6120 LyraL D34054/AGI3500/19W/93/A18	Ø135x175±1mm	AGI3500	855	19W	45	18°
2A6121 LyraL D34054/AGI4000/19W/93/A18	Ø135x175±1mm	AGI4000	855	19W	43	18°
2A6122 LyraL D34054/AGI3000/19W/93/A24	Ø135x175±1mm	AGI3000	760	19W	40	24°
2A6123 LyraL D34054/AGI3500/19W/93/A24	Ø135x175±1mm	AGI3500	855	19W	45	24°
2A6124 LyraL D34054/AGI4000/19W/93/A24	Ø135x175±1mm	AGI4000	855	19W	43	24°
2A6125 LyraL D34054/AGI3000/19W/93/A36	Ø135x175±1mm	AGI3000	760	19W	40	36°
2A6126 LyraL D34054/AGI3500/19W/93/A36	Ø135x175±1mm	AGI3500	855	19W	45	36°
2A6127 LyraL D34054/AGI4000/19W/93/A36	Ø135x175±1mm	AGI4000	855	19W	43	36°
2A6128 LyraL D34054/AGI3000/25W/93/A18	Ø135x175±1mm	AGI3000	935	25W	38	18°
2A6129 LyraL D34054/AGI3500/25W/93/A18	Ø135x175±1mm	AGI3500	1060	25W	43	18°
2A6130 LyraL D34054/AGI4000/25W/93/A18	Ø135x175±1mm	AGI4000	1060	25W	40	18°
2A6131 LyraL D34054/AGI3000/25W/93/A24	Ø135x175±1mm	AGI3000	935	25W	38	24°
2A6132 LyraL D34054/AGI3500/25W/93/A24	Ø135x175±1mm	AGI3500	1060	25W	43	24°
2A6133 LyraL D34054/AGI4000/25W/93/A24	Ø135x175±1mm	AGI4000	1060	25W	40	24°
2A6134 LyraL D34054/AGI3000/25W/93/A36	Ø135x175±1mm	AGI3000	935	25W	38	36°
2A6135 LyraL D34054/AGI3500/25W/93/A36	Ø135x175±1mm	AGI3500	1060	25W	43	36°
2A6136 LyraL D34054/AGI4000/25W/93/A36	Ø135x175±1mm	AGI4000	1060	25W	40	36°
2A6137 LyraL D34054/AGI3000/33W/93/A18	Ø135x175±1mm	AGI3000	1130	33W	35	18°
2A6138 LyraL D34054/AGI3500/33W/93/A18	Ø135x175±1mm	AGI3500	1285	33W	39	18°
2A6139 LyraL D34054/AGI4000/33W/93/A18	Ø135x175±1mm	AGI4000	1275	33W	37	18°
2A6140 LyraL D34054/AGI3000/33W/93/A24	Ø135x175±1mm	AGI3000	1130	33W	35	24°
2A6141 LyraL D34054/AGI3500/33W/93/A24	Ø135x175±1mm	AGI3500	1285	33W	39	24°
2A6142 LyraL D34054/AGI4000/33W/93/A24	Ø135x175±1mm	AGI4000	1275	33W	37	24°
2A6143 LyraL D34054/AGI3000/33W/93/A36	Ø135x175±1mm	AGI3000	1130	33W	35	36°
2A6144 LyraL D34054/AGI3500/33W/93/A36	Ø135x175±1mm	AGI3500	1285	33W	39	36°
2A6145 LyraL D34054/AGI4000/33W/93/A36	Ø135x175±1mm	AGI4000	1275	33W	37	36°
CRI 95						
2A6146 LyraL D34054/FAS/14W/95/A18	Ø135x175±1mm	FAS	685	14W	49	18°

SKU SPECIFICATIONS

Product Code	Dimensions (mm)	CCT (K)	Lumens (lm)	Power (W)	Eff. (lm/watt)	Lens Angle (°)
CRI 95						
2A6147 LyraL D34054/FAS/14W/95/A24	Ø135x175±1mm	FAS	685	14W	49	24°
2A6148 LyraL D34054/FAS/14W/95/A36	Ø135x175±1mm	FAS	685	14W	49	36°
2A6149 LyraL D34054/FAS/20W/95/A18	Ø135x175±1mm	FAS	945	20W	48	18°
2A6150 LyraL D34054/FAS/20W/95/A24	Ø135x175±1mm	FAS	945	20W	48	24°
2A6151 LyraL D34054/FAS/20W/95/A36	Ø135x175±1mm	FAS	945	20W	48	36°
2A6152 LyraL D34054/FAS/27W/95/A18	Ø135x175±1mm	FAS	1175	27W	44	18°
2A6153 LyraL D34054/FAS/27W/95/A24	Ø135x175±1mm	FAS	1175	27W	44	24°
2A6154 LyraL D34054/FAS/27W/95/A36	Ø135x175±1mm	FAS	1175	27W	44	36°
2A6155 LyraL D34054/FAS/35W/95/A18	Ø135x175±1mm	FAS	1435	35W	41	18°
2A6156 LyraL D34054/FAS/35W/95/A24	Ø135x175±1mm	FAS	1435	35W	41	24°
2A6157 LyraL D34054/FAS/35W/95/A36	Ø135x175±1mm	FAS	1435	35W	41	36°