



Mezza

SURFACE MOUNTED LUMINAIRES | NON-DALI SERIES

Mezza is a filiform, modern and stylish surface mounted luminaire, with impeccable finish.

The light line enable you to create the right light effect for a refined atmosphere. With a channel diameter of only 19 mm, the lighting line is the perfect solution for many applications.

This wall lamp will bring you soft light and create a friendly atmosphere as desired. The light segment can be rotated individually.

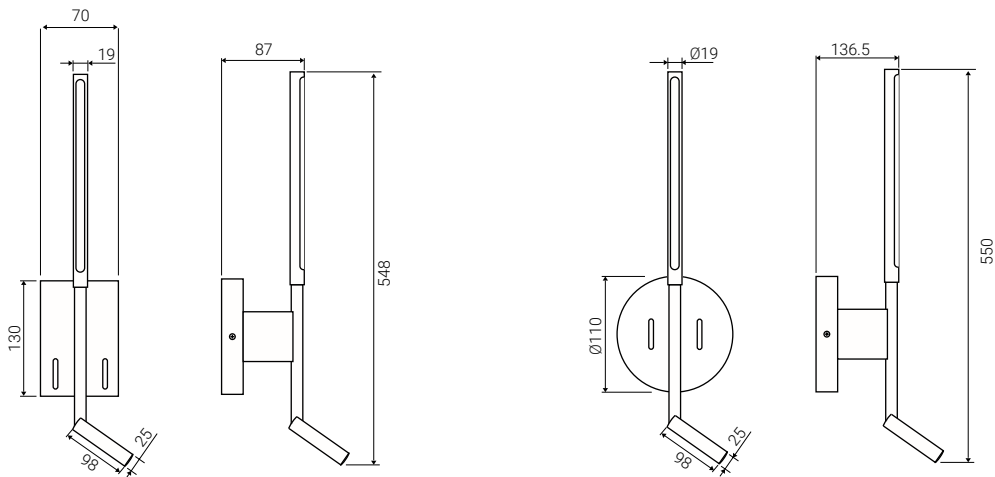
- Mezza Non-DALI – the standard for any project in the retail sector

Features & Benefits

- CRI 80 as standard
- Color temperatures: 2700K, 3000K, 4000K, 6500K
- Long rated life: L70/B10@50.000h
- Luminaire efficiency: 56 lm/W
- The light-emitting body has the possibility to rotate

Applications

High End Grocery & Supermarkets | Fashion Retailers | Hospitality | Art & Exhibitions



Rectangular Base

Round Base

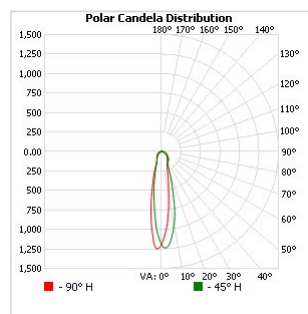
Specifications

Power consumption	6W/3W (linear/spot)	
Dimensions (Base)	L130 x l70 ± 1mm	Ø110 ± 1mm
Dimensions (Lenght)	L548mm ± 1mm	L550mm ± 1mm
Weight	0.75 Kg	
Housing materials	Aluminium, Acrylic	
IK code	IK03	
Protection class	Safety class 1	
Operating temperature [°C]	0C...+40C / 32F...+104F	
Operating humidity [%]	10 ÷ 85	
AC Input [Vac]	220 - 240 VAC	
Lens angle [°]	120°/25° (linear/spot)	
Lifespan [h]	50.000	
Housing color	● Black	
Lumen maintenance	L70/B10@50.000h at 25°C	
IP factor	IP20	
Control optional	-	
Warranty [years]	5	
Storage temperature range [°C]	0C...+40C / 32F...+104F	
Emergency option	-	

Light application#	Standard
CRI	CRI80
CCT [K]	2700 / 3000 /4000 / 6500
MacAdam	3

CRI - Color rendering, CCT - Color temperature, MacAdam - Color consistency

Light Distribution



15°

TOLERANCES**Luminous flux tolerances:** -/+ 5%**Consumption tolerance:** -/+ 5% for Non-DALI | -/+ 10% for Non-DALI & KIT EM | -/+ 10% for DALI | -/+ 15% for DALI & KIT EM**BATTERY WARRANTY****Non-DALI EM & DALI EM:** 12 months warranty**Non-DALI & DALI:** -**RISK GROUP**

Standard (CRI80)	RG1	RG1 The evaluation of photobiological safety is carried out according to the standard IEC 62471:2008 ("Photobiological safety of lamps and lamp systems"). Following the definition of the risk grouping system of the mentioned IEC standard, the LEDs mounted on this family fall into the class "Low Risk (RG1 – No photobiological hazard under normal behavioral limitations)". Under real circumstances (regarding exposure time, pupils, observation distance), it is assumed that there is no endangerment to the eye from these devices. As a matter of principle, however, it should be mentioned that intense light sources have a high secondary exposure potential due to their blinding effect.
FOOD (BVF, FBS, FSM)	RG1	
FOOD ≤35W (FZM, FSH)	RG1	
FOOD >35W (FZM, FSH)	RG2	
FAS	RG1	
AMB2200	RG1	
ART	RG1	
AGI	RG1	
CRI90	RG1	
CRI95	RG1	
ENT	RG1	RG2 The evaluation of photobiological safety is carried out according to the standard IEC 62471:2008 ("Photobiological safety of lamps and lamp systems"). Following the definition of the risk grouping system of the mentioned IEC standard, the LEDs mounted on this family fall into the class "Moderate Risk (RG2)". Under real circumstances (regarding exposure time, pupils, observation distance), it is assumed that there is no endangerment to the eye from these devices. As a matter of principle, however, it should be mentioned that intense light sources have a high secondary exposure potential due to their blinding effect.

SKU SPECIFICATIONS

Product Code	Dimensions (mm)	CCT (K)	Lumens (lm)	Power (W)	Eff. (lm/watt)	Lens Angle (°)
CRI 80						
1G4000 Mezza 1828WB/2700/6W/3W/80/A120/A25	Ø110 x 550mm ± 1mm	2700	500	6W/3W	56	120°/25°
1G4001 Mezza 1828WB/3000/6W/3W/80/A120/A25	Ø110 x 550mm ± 1mm	3000	500	6W/3W	56	120°/25°
1G4002 Mezza 1828WB/4000/6W/3W/80/A120/A25	Ø110 x 550mm ± 1mm	4000	500	6W/3W	56	120°/25°
1G4003 Mezza 1828WB/6500/6W/3W/80/A120/A25	Ø110 x 550mm ± 1mm	6500	500	6W/3W	56	120°/25°
1G4004 Mezza 1824WB/2700/6W/3W/80/A120/A25	130 x 70 x 548mm ± 1mm	2700	500	6W/3W	56	120°/25°
1G4005 Mezza 1824WB/3000/6W/3W/80/A120/A25	130 x 70 x 548mm ± 1mm	3000	500	6W/3W	56	120°/25°
1G4006 Mezza 1824WB/4000/6W/3W/80/A120/A25	130 x 70 x 548mm ± 1mm	4000	500	6W/3W	56	120°/25°
1G4007 Mezza 1824WB/6500/6W/3W/80/A120/A25	130 x 70 x 548mm ± 1mm	6500	500	6W/3W	56	120°/25°