



Tulip S

SURFACE MOUNTED | NON-DALI SERIES

A highly elegant, compact track spotlight. The radiator is encased in the aluminum housing, allowing for a smooth design. As all our track lights, the Tulip S range includes several special color temperatures for art and fashion. Especially suitable for commercial spaces and showrooms that require a sleek, minimalistic luminaire.

The modern touch is given by the aluminum housing and two color options: signal white and jet black.

Available in two series, with different add-ons and controls:

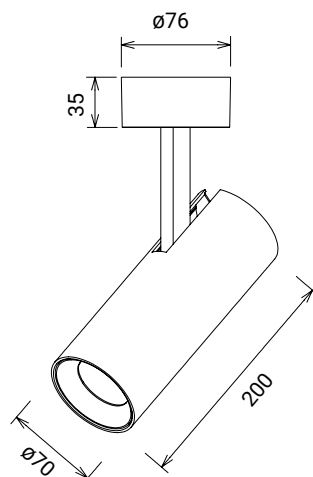
- Tulip S Non-DALI – the standard for any project in the retail sector
- Tulip S DALI – with DALI controls for illumination adjustments

APPLICATION

High End Grocery & Supermarkets | Fashion Retailers | Hospitality | Art & Exhibitions

FEATURES & BENEFITS

- CRI > 80 as standard, up to 95 for certain special colors
- 9 color temperatures, including specialized options for hospitality light and AGI light
- Great variety of optics – 4 angles, from narrow beams to flood beams, for each housing size
- Efficiency: 91 lm/W @4000K
- Very long service life: 50.000 h at 90% luminous flux
- Dimmable (only for DALI Series)



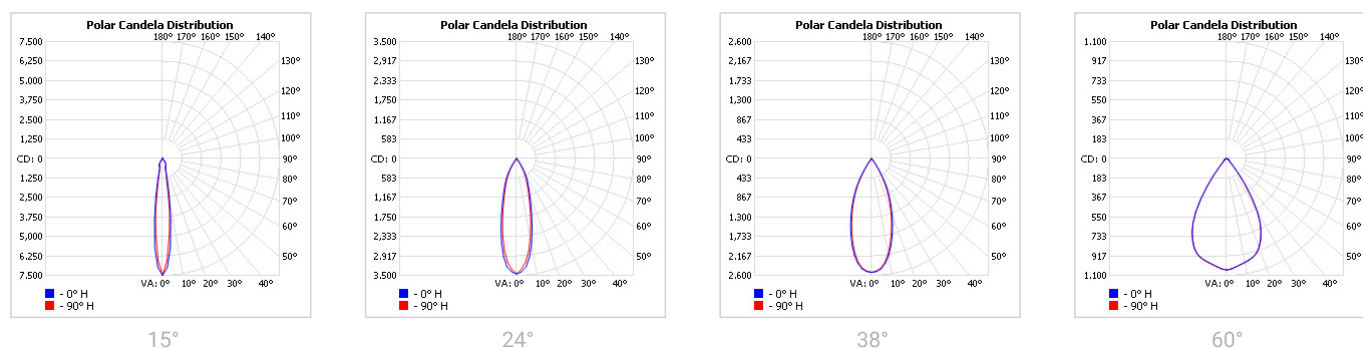
SPECIFICATIONS

Power consumption	14W, 20W
Dimensions	Ø70x200x250mm±1mm
Weight	1 kg
Housing materials	Aluminium, glass
IK code	IK02
THD (at 230V, 50Hz, Full load)	< 8%
Protection class	Safety class 1
Operating temperature [°C]	-20°C ... +45°C / -4F ... +113F
Operating humidity [%]	10 ÷ 85
Power factor	≥0.95
AC Input [Vac]	220 - 240 VAC
Lens angle [°]	15°, 24°, 38°, 60°
Lifespan [h]	50.000
Housing color	○ RAL 9003 - Signal white, ● RAL 9005 - Jet Black
Lumen maintenance	L90/B10@50.000h at 25°C
IP factor	IP20
Control optional	-
Warranty [years]	5
Storage temperature range [°C]	-20°C ... +55°C / -4F ... +131F
Emergency option	-

#	Standard	Fashion	AGI	AMB
CRI	CRI80	CRI95	CRI93	CRI80
CCT [K]	2700 / 3000 / 3500 / 4000	FAS	AGI 3000 / 3500 / 4000	2200
MacAdam	3	3	3	3

CRI - Color rendering, CCT - Color temperature, MacAdam - Color consistency

LIGHT DISTRIBUTION



TOLERANCES**Luminous flux tolerances:** -/+ 5%**Consumption tolerance:** -/+ 5% for Non-DALI | -/+ 10% for Non-DALI & KIT EM | -/+ 10% for DALI | -/+ 15% for DALI & KIT EM**BATTERY WARRANTY****Non-DALI EM & DALI EM:** 12 months warranty**Non-DALI & DALI:** -**MAXIMUM NO. OF LUMINAIRES ON A CIRCUIT**

Luminaire Power(W)	Control type	Circuit Breaker Type					
		B			C		
		20	16	10	20	16	10
14-20W	Non-DALI	62	50	31	104	85	52
14-20W	DALI	-	130	82	-	-	-

RISK GROUP**Standard (CRI80)** RG1**FOOD (BVF, FBS, FSM)** RG1**FOOD ≤35W (FZM, FSH)** RG1**FOOD >35W (FZM, FSH)** RG2**FAS** RG1**AMB2200** RG1**ART** RG1**AGI** RG1**CRI90** RG1**CRI95** RG1**ENT** RG1**RG1**

The evaluation of photobiological safety is carried out according to the standard IEC 62471:2008 ("Photobiological safety of lamps and lamp systems"). Following the definition of the risk grouping system of the mentioned IEC standard, the LEDs mounted on this family fall into the class "Low Risk (RG1 – No photobiological hazard under normal behavioral limitations)". Under real circumstances (regarding exposure time, pupils, observation distance), it is assumed that there is no endangerment to the eye from these devices. As a matter of principle, however, it should be mentioned that intense light sources have a high secondary exposure potential due to their blinding effect.

RG2

The evaluation of photobiological safety is carried out according to the standard IEC 62471:2008 ("Photobiological safety of lamps and lamp systems"). Following the definition of the risk grouping system of the mentioned IEC standard, the LEDs mounted on this family fall into the class "Moderate Risk (RG2)". Under real circumstances (regarding exposure time, pupils, observation distance), it is assumed that there is no endangerment to the eye from these devices. As a matter of principle, however, it should be mentioned that intense light sources have a high secondary exposure potential due to their blinding effect.

SKU SPECIFICATIONS

Product Code	Dimensions (mm)	CCT (K)	Lumens (lm)	Power (W)	Eff. (lm/watt)	Lens Angle (°)
CRI 80						
1G1000 TulipS SM C34014R/2700/14W/80/A15	Ø70x200x250mm±1mm	2700	1200	14W	86	15°
1G1001 TulipS SM C34014R/3000/14W/80/A15	Ø70x200x250mm±1mm	3000	1215	14W	87	15°
1G1002 TulipS SM C34014R/3500/14W/80/A15	Ø70x200x250mm±1mm	3500	1245	14W	89	15°
1G1003 TulipS SM C34014R/4000/14W/80/A15	Ø70x200x250mm±1mm	4000	1270	14W	91	15°
1G1004 TulipS SM C34014R/2700/14W/80/A24	Ø70x200x250mm±1mm	2700	1200	14W	86	24°
1G1005 TulipS SM C34014R/3000/14W/80/A24	Ø70x200x250mm±1mm	3000	1215	14W	87	24°
1G1006 TulipS SM C34014R/3500/14W/80/A24	Ø70x200x250mm±1mm	3500	1245	14W	89	24°
1G1007 TulipS SM C34014R/4000/14W/80/A24	Ø70x200x250mm±1mm	4000	1270	14W	91	24°
1G1008 TulipS SM C34014R/2700/14W/80/A38	Ø70x200x250mm±1mm	2700	1200	14W	86	38°
1G1009 TulipS SM C34014R/3000/14W/80/A38	Ø70x200x250mm±1mm	3000	1215	14W	87	38°
1G1010 TulipS SM C34014R/3500/14W/80/A38	Ø70x200x250mm±1mm	3500	1245	14W	89	38°
1G1011 TulipS SM C34014R/4000/14W/80/A38	Ø70x200x250mm±1mm	4000	1270	14W	91	38°
1G1012 TulipS SM C34014R/2700/14W/80/A60	Ø70x200x250mm±1mm	2700	1200	14W	86	60°
1G1013 TulipS SM C34014R/3000/14W/80/A60	Ø70x200x250mm±1mm	3000	1215	14W	87	60°
1G1014 TulipS SM C34014R/3500/14W/80/A60	Ø70x200x250mm±1mm	3500	1245	14W	89	60°
1G1015 TulipS SM C34014R/4000/14W/80/A60	Ø70x200x250mm±1mm	4000	1270	14W	91	60°
1G1016 TulipS SM C34014R/2700/20W/80/A15	Ø70x200x250mm±1mm	2700	1650	20W	83	15°
1G1017 TulipS SM C34014R/3000/20W/80/A15	Ø70x200x250mm±1mm	3000	1665	20W	84	15°
1G1018 TulipS SM C34014R/3500/20W/80/A15	Ø70x200x250mm±1mm	3500	1710	20W	86	15°
1G1019 TulipS SM C34014R/4000/20W/80/A15	Ø70x200x250mm±1mm	4000	1745	20W	88	15°
1G1020 TulipS SM C34014R/2700/20W/80/A24	Ø70x200x250mm±1mm	2700	1650	20W	83	24°
1G1021 TulipS SM C34014R/3000/20W/80/A24	Ø70x200x250mm±1mm	3000	1665	20W	84	24°
1G1022 TulipS SM C34014R/3500/20W/80/A24	Ø70x200x250mm±1mm	3500	1710	20W	86	24°
1G1023 TulipS SM C34014R/4000/20W/80/A24	Ø70x200x250mm±1mm	4000	1745	20W	88	24°
1G1024 TulipS SM C34014R/2700/20W/80/A38	Ø70x200x250mm±1mm	2700	1650	20W	83	38°
1G1025 TulipS SM C34014R/3000/20W/80/A38	Ø70x200x250mm±1mm	3000	1665	20W	84	38°
1G1026 TulipS SM C34014R/3500/20W/80/A38	Ø70x200x250mm±1mm	3500	1710	20W	86	38°
1G1027 TulipS SM C34014R/4000/20W/80/A38	Ø70x200x250mm±1mm	4000	1745	20W	88	38°
1G1028 TulipS SM C34014R/2700/20W/80/A60	Ø70x200x250mm±1mm	2700	1650	20W	83	60°
1G1029 TulipS SM C34014R/3000/20W/80/A60	Ø70x200x250mm±1mm	3000	1665	20W	84	60°
1G1030 TulipS SM C34014R/3500/20W/80/A60	Ø70x200x250mm±1mm	3500	1710	20W	86	60°
1G1031 TulipS SM C34014R/4000/20W/80/A60	Ø70x200x250mm±1mm	4000	1745	20W	88	60°
1G1282 TulipS SM C34014R/AMB2200/14W/80/A15	Ø70x200x250mm±1mm	AMB2200	915	14W	66	15°
1G1283 TulipS SM C34014R/AMB2200/14W/80/A24	Ø70x200x250mm±1mm	AMB2200	915	14W	66	24°
1G1284 TulipS SM C34014R/AMB2200/14W/80/A38	Ø70x200x250mm±1mm	AMB2200	915	14W	66	38°
1G1285 TulipS SM C34014R/AMB2200/14W/80/A60	Ø70x200x250mm±1mm	AMB2200	915	14W	66	60°
1G1286 TulipS SM C34014R/AMB2200/20W/80/A15	Ø70x200x250mm±1mm	AMB2200	1270	20W	64	15°
1G1287 TulipS SM C34014R/AMB2200/20W/80/A24	Ø70x200x250mm±1mm	AMB2200	1270	20W	64	24°
1G1288 TulipS SM C34014R/AMB2200/20W/80/A38	Ø70x200x250mm±1mm	AMB2200	1270	20W	64	38°
1G1289 TulipS SM C34014R/AMB2200/20W/80/A60	Ø70x200x250mm±1mm	AMB2200	1270	20W	64	60°
CRI 93						
1G1315 TulipS SM C34014R/AGI3000/14W/93/A15	Ø70x200x250mm±1mm	AGI3000	835	14W	60	15°
1G1316 TulipS SM C34014R/AGI3500/14W/93/A15	Ø70x200x250mm±1mm	AGI3500	885	14W	64	15°
1G1317 TulipS SM C34014R/AGI4000/14W/93/A15	Ø70x200x250mm±1mm	AGI4000	940	14W	68	15°
1G1318 TulipS SM C34014R/AGI3000/14W/93/A24	Ø70x200x250mm±1mm	AGI3000	835	14W	60	24°
1G1319 TulipS SM C34014R/AGI3500/14W/93/A24	Ø70x200x250mm±1mm	AGI3500	885	14W	64	24°
1G1320 TulipS SM C34014R/AGI4000/14W/93/A24	Ø70x200x250mm±1mm	AGI4000	940	14W	68	24°
1G1321 TulipS SM C34014R/AGI3000/14W/93/A38	Ø70x200x250mm±1mm	AGI3000	835	14W	60	38°
1G1322 TulipS SM C34014R/AGI3500/14W/93/A38	Ø70x200x250mm±1mm	AGI3500	885	14W	64	38°

SKU SPECIFICATIONS

Product Code	Dimensions (mm)	CCT (K)	Lumens (lm)	Power (W)	Eff. (lm/watt)	Lens Angle (°)
CRI 93						
1G1323 TulipS SM C34014R/AGI4000/14W/93/A38	Ø70x200x250mm±1mm	AGI4000	940	14W	68	38°
1G1324 TulipS SM C34014R/AGI3000/14W/93/A60	Ø70x200x250mm±1mm	AGI3000	835	14W	60	60°
1G1325 TulipS SM C34014R/AGI3500/14W/93/A60	Ø70x200x250mm±1mm	AGI3500	885	14W	64	60°
1G1326 TulipS SM C34014R/AGI4000/14W/93/A60	Ø70x200x250mm±1mm	AGI4000	940	14W	68	60°
1G1327 TulipS SM C34014R/AGI3000/20W/93/A15	Ø70x200x250mm±1mm	AGI3000	1080	20W	54	15°
1G1328 TulipS SM C34014R/AGI3500/20W/93/A15	Ø70x200x250mm±1mm	AGI3500	1145	20W	58	15°
1G1329 TulipS SM C34014R/AGI4000/20W/93/A15	Ø70x200x250mm±1mm	AGI4000	1220	20W	61	15°
1G1330 TulipS SM C34014R/AGI3000/20W/93/A24	Ø70x200x250mm±1mm	AGI3000	1080	20W	54	24°
1G1331 TulipS SM C34014R/AGI3500/20W/93/A24	Ø70x200x250mm±1mm	AGI3500	1145	20W	58	24°
1G1332 TulipS SM C34014R/AGI4000/20W/93/A24	Ø70x200x250mm±1mm	AGI4000	1220	20W	61	24°
1G1333 TulipS SM C34014R/AGI3000/20W/93/A38	Ø70x200x250mm±1mm	AGI3000	1080	20W	54	38°
1G1334 TulipS SM C34014R/AGI3500/20W/93/A38	Ø70x200x250mm±1mm	AGI3500	1145	20W	58	38°
1G1335 TulipS SM C34014R/AGI4000/20W/93/A38	Ø70x200x250mm±1mm	AGI4000	1220	20W	61	38°
1G1336 TulipS SM C34014R/AGI3000/20W/93/A60	Ø70x200x250mm±1mm	AGI3000	1080	20W	54	60°
1G1337 TulipS SM C34014R/AGI3500/20W/93/A60	Ø70x200x250mm±1mm	AGI3500	1145	20W	58	60°
1G1338 TulipS SM C34014R/AGI4000/20W/93/A60	Ø70x200x250mm±1mm	AGI4000	1220	20W	61	60°
CRI 95						
1G1414 TulipS SM C34014R/FAS/14W/95/A15	Ø70x200x250mm±1mm	FAS	1045	14W	75	15°
1G1415 TulipS SM C34014R/FAS/14W/95/A24	Ø70x200x250mm±1mm	FAS	1045	14W	75	24°
1G1416 TulipS SM C34014R/FAS/14W/95/A38	Ø70x200x250mm±1mm	FAS	1045	14W	75	38°
1G1417 TulipS SM C34014R/FAS/14W/95/A60	Ø70x200x250mm±1mm	FAS	1045	14W	75	60°
1G1418 TulipS SM C34014R/FAS/20W/95/A15	Ø70x200x250mm±1mm	FAS	1430	20W	72	15°
1G1419 TulipS SM C34014R/FAS/20W/95/A24	Ø70x200x250mm±1mm	FAS	1430	20W	72	24°
1G1420 TulipS SM C34014R/FAS/20W/95/A38	Ø70x200x250mm±1mm	FAS	1430	20W	72	38°
1G1421 TulipS SM C34014R/FAS/20W/95/A60	Ø70x200x250mm±1mm	FAS	1430	20W	72	60°