



Cali

SUSPENDED DOWNLIGHTS | NON-DALI SERIES

Decorative suspended luminaire that is both functionally and aesthetically pleasing. The aluminum housing has a high-quality and is available in various color for a vivid atmosphere.

Cali is a playful luminaire that signifies modern shapes evoking a friendly, welcoming atmosphere. Best suitable for the hospitality sector - hotels, pubs, restaurants, and receptions. High focus on the aesthetics of the place and a pleasant experience for the guests.

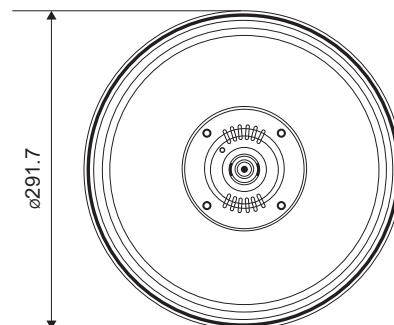
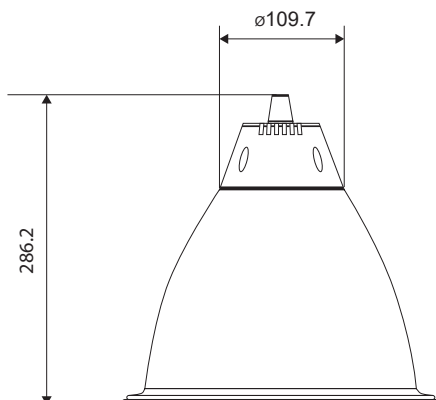
- Cali Non-DALI – the standard for any project

FEATURES & BENEFITS

- CRI > 80 as standard
- 4 color temperatures: 3000K, 4000K, 5000K and 6500K
- Long rated life: L90/B10@50.000h
- Various housing colors: Red, Green, Yellow
- Efficiency: 86lm/W @4000K

APPLICATION

Grocery & Supermarkets | Retail | Offices | Hospitality | Art & Exhibitions



SPECIFICATIONS

Power consumption	11W, 15W, 22W, 28W
Dimensions	Ø291.7 x H286.2 x Ø100 ± 1mm
Weight	0.7 Kg
Housing materials	Aluminum & Polycarbonate
IK code	IK08
THD (at 230V, 50Hz, Full load)	<8%
Protection class	Safety class 1
Operating temperature [°C]	-20°C ... +45°C / -4F ... +113F
Operating humidity [%]	10 ÷ 85
Power factor	≥0.95
AC Input [Vac]	220 - 240 VAC
Lens angle [°]	60°
Lifespan [h]	50,000
Housing color	● Yellow, ● Green, ● Red
Lumen maintenance	L90/B10@50,000h at 25°C
IP factor (general)	IP40
Control option	-
Warranty [years]	5
Storage temperature range [°C]	-20°C ... +55°C / -4F ... +131F
Emergency option	-

Standard

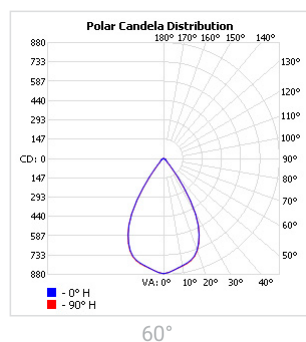
CRI CRI80

CCT [K] 3000 / 4000 / 5000 / 6500

MacAdam 4

CRI - Color rendering, CCT - Color temperature, MacAdam - Color consistency

LIGHT DISTRIBUTION



TOLERANCES**Luminous flux tolerances:** -/+ 5%**Consumption tolerance:** -/+ 5% for Non-DALI | -/+ 10% for Non-DALI & KIT EM | -/+ 10% for DALI | -/+ 15% for DALI & KIT EM**BATTERY WARRANTY****Non-DALI EM & DALI EM:** 12 months warranty**Non-DALI & DALI:** -**MAXIMUM NO. OF LUMINAIRES ON A CIRCUIT**

Luminaire Power(W)	Control type	Circuit Breaker Type					
		B			C		
		20	16	10	20	16	10
8-20W	Non-DALI	62	50	31	104	85	52
23-35W	Non-DALI	24	20	10	47	40	20
42W	Non-DALI	20	16	8	38	32	16
8-20W	DALI	62	50	31	104	85	52
23-27W	DALI	25	21	13	50	42	26
34-42W	DALI	17	14	9	34	28	18

RISK GROUP

Standard (CRI80)	RG1
FOOD (BVF, FBS, FSM)	RG1
FOOD ≤35W (FZM, FSH)	RG1
FOOD >35W (FZM, FSH)	RG2
FAS	RG1
AMB2200	RG1
ART	RG1
AGI	RG1
CRI90	RG1
CRI95	RG1
ENT	RG1

RG1

The evaluation of photobiological safety is carried out according to the standard IEC 62471:2008 ("Photobiological safety of lamps and lamp systems"). Following the definition of the risk grouping system of the mentioned IEC standard, the LEDs mounted on this family fall into the class "Low Risk (RG1 – No photobiological hazard under normal behavioral limitations)". Under real circumstances (regarding exposure time, pupils, observation distance), it is assumed that there is no endangerment to the eye from these devices. As a matter of principle, however, it should be mentioned that intense light sources have a high secondary exposure potential due to their blinding effect.

RG2

The evaluation of photobiological safety is carried out according to the standard IEC 62471:2008 ("Photobiological safety of lamps and lamp systems"). Following the definition of the risk grouping system of the mentioned IEC standard, the LEDs mounted on this family fall into the class "Moderate Risk (RG2)". Under real circumstances (regarding exposure time, pupils, observation distance), it is assumed that there is no endangerment to the eye from these devices. As a matter of principle, however, it should be mentioned that intense light sources have a high secondary exposure potential due to their blinding effect.

SKU SPECIFICATIONS

Product Code	Dimensions (mm)	CCT (K)	Lumens (lm)	Power (W)	Eff. (lm/watt)	Lens Angle (°)
CRI 80						
130000 Cali GK30/3000/11W/80/A60	Ø291.7 x H286.2 x Ø100 ± 1mm	3000	850	11W	78	60°
130001 Cali GK30/4000/11W/80/A60	Ø291.7 x H286.2 x Ø100 ± 1mm	4000	875	11W	80	60°
130002 Cali GK30/5000/11W/80/A60	Ø291.7 x H286.2 x Ø100 ± 1mm	5000	915	11W	84	60°
130003 Cali GK30/6500/11W/80/A60	Ø291.7 x H286.2 x Ø100 ± 1mm	6500	865	11W	79	60°
130004 Cali GK30/3000/15W/80/A60	Ø291.7 x H286.2 x Ø100 ± 1mm	3000	1250	15W	84	60°
130005 Cali GK30/4000/15W/80/A60	Ø291.7 x H286.2 x Ø100 ± 1mm	4000	1290	15W	86	60°
130006 Cali GK30/5000/15W/80/A60	Ø291.7 x H286.2 x Ø100 ± 1mm	5000	1350	15W	90	60°
130007 Cali GK30/6500/15W/80/A60	Ø291.7 x H286.2 x Ø100 ± 1mm	6500	1270	15W	85	60°
130008 Cali GK30/3000/22W/80/A60	Ø291.7 x H286.2 x Ø100 ± 1mm	3000	1735	22W	79	60°
130009 Cali GK30/4000/22W/80/A60	Ø291.7 x H286.2 x Ø100 ± 1mm	4000	1790	22W	82	60°
130010 Cali GK30/5000/22W/80/A60	Ø291.7 x H286.2 x Ø100 ± 1mm	5000	1870	22W	85	60°
130011 Cali GK30/6500/22W/80/A60	Ø291.7 x H286.2 x Ø100 ± 1mm	6500	1765	22W	81	60°
130012 Cali GK30/3000/28W/80/A60	Ø291.7 x H286.2 x Ø100 ± 1mm	3000	2065	28W	74	60°
130013 Cali GK30/4000/28W/80/A60	Ø291.7 x H286.2 x Ø100 ± 1mm	4000	2130	28W	77	60°
130014 Cali GK30/5000/28W/80/A60	Ø291.7 x H286.2 x Ø100 ± 1mm	5000	2225	28W	80	60°
130015 Cali GK30/6500/28W/80/A60	Ø291.7 x H286.2 x Ø100 ± 1mm	6500	2100	28W	75	60°