



Caster

TRACK SPOTLIGHTS | DALI SERIES

Track spotlights include a wide range of indoor spotlights used for directional and accent lighting. Highly suitable for displays that require special color temperatures. Mounted on tracks, easily adjustable, require very little technical effort should they be rearranged. The housing comes in three color options – black, grey and white – to fit the particular environment.

Caster is a track spotlight, with quick install, die-cast aluminum housing, adjustable lamp angles and special color temperatures for food, art, fashion, hospitality (AMB) and AGI – Class A.

Caster track spotlight comes in several series, with various add-on and controls:

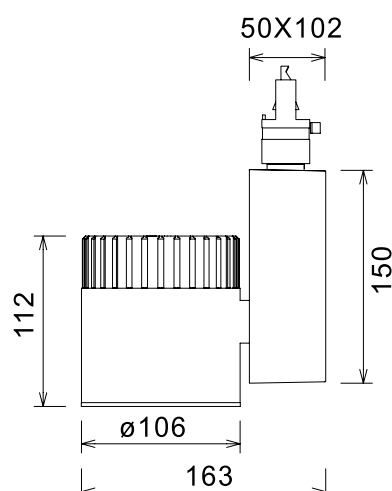
- Caster Non-DALI – the standard for any project in the retail sectors
- Caster DALI – with DALI controls for dimming

APPLICATION

Supermarket | Fashion | Retail | Hospitality | Exhibition | Architectural

FEATURES & BENEFITS

- CRI ≥ 80 as standard, up to 98 for certain special color temperatures
- 16 color temperatures, including specialized options
- Stylish die-cast aluminium housing
- Great variety of optics – from narrow beams to flood beams
- High efficiency – 117lm/watt@4000K



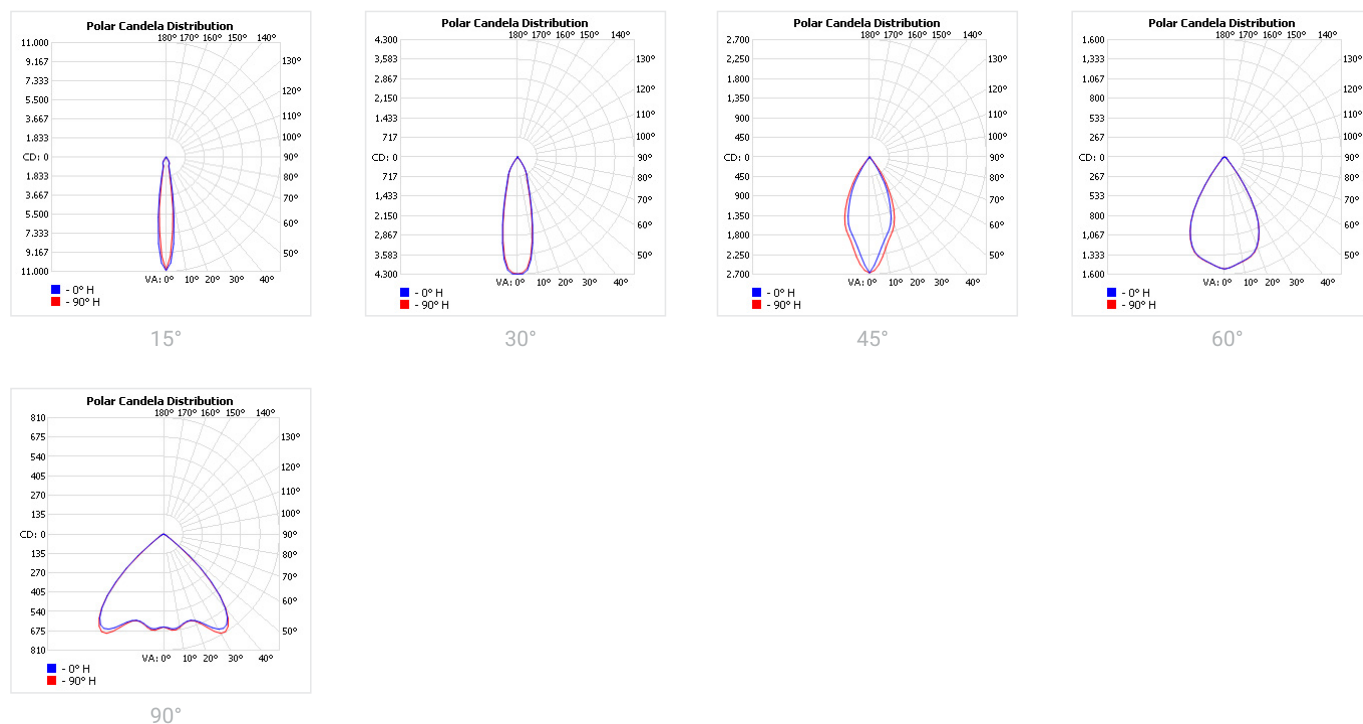
SPECIFICATIONS

Power consumption	14W, 16W, 17W, 20W, 21W, 23W, 27W, 29W, 32W, 34W, 35W, 42W, 50W
Dimensions	Ø106x163x150mm±1mm
Weight	1.6 - 1.7 Kg
Housing materials	Aluminium, Glass
IK code	IK02
THD (at 230V, 50Hz, Full load)	<20%
Protection class	Safety class 1
Operating temperature [°C]	-20°C ... +45°C / -4F ... +113F
Operating humidity [%]	10 ÷ 85
Power factor	≥0.95
AC Input [Vdc]	220 - 240 VAC
Lens angle [°]	15°, 30°, 45°, 60°, 90°
Lifespan [h]	50,000
Housing color	○ RAL 9003 - Signal White, ● RAL 9005 - Jet Black, ● RAL 9006 - White Aluminium
Lumen maintenance	L90/B10@50,000h at 25°C
IP factor	IP20
Control optional	DALI
Warranty [years]	5
Storage temperature range [°C]	-20°C ... +55°C / -4F ... +131F
Emergency option	-

#	Standard	Food	Fashion	ENT / AGI	Enhanced	ART	AMB
CRI	CRI80	CRI80	CRI95	CRI90 & CRI97 / CRI93	CRI90 / CRI95	CRI98	CRI80
CCT [K]	2700 / 3000 / 3500 / 4000	BVF / FBS / FZM / FSM / FSH	FAS	5600 / AGI 3000 / 3500 / 4000	2700 / 3000 / 3500 / 4000	3000	2200
MacAdam	3	3 / 4 / 4 / 3 / 3	3	3	2	2	3

CRI - Color rendering, CCT - Color temperature, MacAdam - Color consistency

LIGHT DISTRIBUTION



TOLERANCES

Luminous flux tolerances: -/+ 5%

Consumption tolerance: -/+ 5% for Non-DALI | -/+ 10% for Non-DALI & KIT EM | -/+ 10% for DALI | -/+ 15% for DALI & KIT EM

BATTERY WARRANTY

Non-DALI EM & DALI EM: 12 months warranty

Non-DALI & DALI: -

MAXIMUM NO. OF LUMINAIRES ON A CIRCUIT

Luminaire Power(W)	Control type	Circuit Breaker Type					
		B			C		
		20	16	10	20	16	10
8-20W	Non-DALI	62	50	31	104	85	52
23-35W	Non-DALI	24	20	10	47	40	20
42W	Non-DALI	20	16	8	38	32	16
8-20W	DALI	62	50	31	104	85	52
23-27W	DALI	18	15	9	31	50	15
34-42W	DALI	17	14	9	34	28	18

RISK GROUP

Standard (CRI80)	RG1
FOOD (BVF, FBS, FSM)	RG1
FOOD ≤35W (FZM, FSH)	RG1
FOOD >35W (FZM, FSH)	RG2
FAS	RG1
AMB2200	RG1
ART	RG1
AGI	RG1
CRI90	RG1
CRI95	RG1
ENT	RG1

RG1

The evaluation of photobiological safety is carried out according to the standard IEC 62471:2008 ("Photobiological safety of lamps and lamp systems"). Following the definition of the risk grouping system of the mentioned IEC standard, the LEDs mounted on this family fall into the class "Low Risk (RG1 – No photobiological hazard under normal behavioral limitations)". Under real circumstances (regarding exposure time, pupils, observation distance), it is assumed that there is no endangerment to the eye from these devices. As a matter of principle, however, it should be mentioned that intense light sources have a high secondary exposure potential due to their blinding effect.

RG2

The evaluation of photobiological safety is carried out according to the standard IEC 62471:2008 ("Photobiological safety of lamps and lamp systems"). Following the definition of the risk grouping system of the mentioned IEC standard, the LEDs mounted on this family fall into the class "Moderate Risk (RG2)". Under real circumstances (regarding exposure time, pupils, observation distance), it is assumed that there is no endangerment to the eye from these devices. As a matter of principle, however, it should be mentioned that intense light sources have a high secondary exposure potential due to their blinding effect.

SKU SPECIFICATIONS

Product Code	Dimensions (mm)	CCT (K)	Lumens (lm)	Power (W)	Eff. (lm/watt)	Lens Angle (°)
CRI 80						
234000 Caster S35004S/2700/14W/80/A15	Ø106x163x150mm±1mm	2700	1485	14W	107	15°
234001 Caster S35004S/3000/14W/80/A15	Ø106x163x150mm±1mm	3000	1500	14W	108	15°
234002 Caster S35004S/3500/14W/80/A15	Ø106x163x150mm±1mm	3500	1540	14W	110	15°
234003 Caster S35004S/4000/14W/80/A15	Ø106x163x150mm±1mm	4000	1570	14W	113	15°
234005 Caster S35004S/2700/14W/80/A30	Ø106x163x150mm±1mm	2700	1485	14W	107	30°
234006 Caster S35004S/3000/14W/80/A30	Ø106x163x150mm±1mm	3000	1500	14W	108	30°
234007 Caster S35004S/3500/14W/80/A30	Ø106x163x150mm±1mm	3500	1540	14W	110	30°
234008 Caster S35004S/4000/14W/80/A30	Ø106x163x150mm±1mm	4000	1570	14W	113	30°
234010 Caster S35004S/2700/14W/80/A45	Ø106x163x150mm±1mm	2700	1485	14W	107	45°
234011 Caster S35004S/3000/14W/80/A45	Ø106x163x150mm±1mm	3000	1500	14W	108	45°
234012 Caster S35004S/3500/14W/80/A45	Ø106x163x150mm±1mm	3500	1540	14W	110	45°
234013 Caster S35004S/4000/14W/80/A45	Ø106x163x150mm±1mm	4000	1570	14W	113	45°
234015 Caster S35004S/2700/14W/80/A60	Ø106x163x150mm±1mm	2700	1485	14W	107	60°
234016 Caster S35004S/3000/14W/80/A60	Ø106x163x150mm±1mm	3000	1500	14W	108	60°
234017 Caster S35004S/3500/14W/80/A60	Ø106x163x150mm±1mm	3500	1540	14W	110	60°
234018 Caster S35004S/4000/14W/80/A60	Ø106x163x150mm±1mm	4000	1570	14W	113	60°
234020 Caster S35034 /2700/14W/80/A90	Ø106x163x150mm±1mm	2700	1485	14W	107	90°
234021 Caster S35034 /3000/14W/80/A90	Ø106x163x150mm±1mm	3000	1500	14W	108	90°
234022 Caster S35034 /3500/14W/80/A90	Ø106x163x150mm±1mm	3500	1540	14W	110	90°
234023 Caster S35034 /4000/14W/80/A90	Ø106x163x150mm±1mm	4000	1570	14W	113	90°
234025 Caster S35004S/2700/20W/80/A15	Ø106x163x150mm±1mm	2700	2080	20W	104	15°
234026 Caster S35004S/3000/20W/80/A15	Ø106x163x150mm±1mm	3000	2100	20W	105	15°
234027 Caster S35004S/3500/20W/80/A15	Ø106x163x150mm±1mm	3500	2160	20W	108	15°
234028 Caster S35004S/4000/20W/80/A15	Ø106x163x150mm±1mm	4000	2200	20W	110	15°
234030 Caster S35004S/2700/20W/80/A30	Ø106x163x150mm±1mm	2700	2080	20W	104	30°
234031 Caster S35004S/3000/20W/80/A30	Ø106x163x150mm±1mm	3000	2100	20W	105	30°
234032 Caster S35004S/3500/20W/80/A30	Ø106x163x150mm±1mm	3500	2160	20W	108	30°
234033 Caster S35004S/4000/20W/80/A30	Ø106x163x150mm±1mm	4000	2200	20W	110	30°
234035 Caster S35004S/2700/20W/80/A45	Ø106x163x150mm±1mm	2700	2080	20W	104	45°
234036 Caster S35004S/3000/20W/80/A45	Ø106x163x150mm±1mm	3000	2100	20W	105	45°
234037 Caster S35004S/3500/20W/80/A45	Ø106x163x150mm±1mm	3500	2160	20W	108	45°
234038 Caster S35004S/4000/20W/80/A45	Ø106x163x150mm±1mm	4000	2200	20W	110	45°
234040 Caster S35004S/2700/20W/80/A60	Ø106x163x150mm±1mm	2700	2080	20W	104	60°
234041 Caster S35004S/3000/20W/80/A60	Ø106x163x150mm±1mm	3000	2100	20W	105	60°
234042 Caster S35004S/3500/20W/80/A60	Ø106x163x150mm±1mm	3500	2160	20W	108	60°
234043 Caster S35004S/4000/20W/80/A60	Ø106x163x150mm±1mm	4000	2200	20W	110	60°
234045 Caster S35034 /2700/20W/80/A90	Ø106x163x150mm±1mm	2700	2080	20W	104	90°
234046 Caster S35034 /3000/20W/80/A90	Ø106x163x150mm±1mm	3000	2100	20W	105	90°
234047 Caster S35034 /3500/20W/80/A90	Ø106x163x150mm±1mm	3500	2160	20W	108	90°
234048 Caster S35034 /4000/20W/80/A90	Ø106x163x150mm±1mm	4000	2200	20W	110	90°
234050 Caster S35004S/2700/27W/80/A15	Ø106x163x150mm±1mm	2700	2945	27W	110	15°
234051 Caster S35004S/3000/27W/80/A15	Ø106x163x150mm±1mm	3000	2970	27W	110	15°
234052 Caster S35004S/3500/27W/80/A15	Ø106x163x150mm±1mm	3500	3055	27W	114	15°
234053 Caster S35004S/4000/27W/80/A15	Ø106x163x150mm±1mm	4000	3135	27W	117	15°
234055 Caster S35004S/2700/27W/80/A30	Ø106x163x150mm±1mm	2700	2945	27W	110	30°
234056 Caster S35004S/3000/27W/80/A30	Ø106x163x150mm±1mm	3000	2970	27W	110	30°
234057 Caster S35004S/3500/27W/80/A30	Ø106x163x150mm±1mm	3500	3055	27W	114	30°
234058 Caster S35004S/4000/27W/80/A30	Ø106x163x150mm±1mm	4000	3135	27W	117	30°
234060 Caster S35004S/2700/27W/80/A45	Ø106x163x150mm±1mm	2700	2945	27W	110	45°
234061 Caster S35004S/3000/27W/80/A45	Ø106x163x150mm±1mm	3000	2970	27W	110	45°
234062 Caster S35004S/3500/27W/80/A45	Ø106x163x150mm±1mm	3500	3055	27W	114	45°
234063 Caster S35004S/4000/27W/80/A45	Ø106x163x150mm±1mm	4000	3135	27W	117	45°
234065 Caster S35004S/2700/27W/80/A60	Ø106x163x150mm±1mm	2700	2945	27W	110	60°
234066 Caster S35004S/3000/27W/80/A60	Ø106x163x150mm±1mm	3000	2970	27W	110	60°

SKU SPECIFICATIONS

Product Code	Dimensions (mm)	CCT (K)	Lumens (lm)	Power (W)	Eff. (lm/watt)	Lens Angle (°)
CRI 80						
234067 Caster S35004S/3500/27W/80/A60	Ø106x163x150mm±1mm	3500	3055	27W	114	60°
234068 Caster S35004S/4000/27W/80/A60	Ø106x163x150mm±1mm	4000	3135	27W	117	60°
234070 Caster S35034 /2700/27W/80/A90	Ø106x163x150mm±1mm	2700	2945	27W	110	90°
234071 Caster S35034 /3000/27W/80/A90	Ø106x163x150mm±1mm	3000	2970	27W	110	90°
234072 Caster S35034 /3500/27W/80/A90	Ø106x163x150mm±1mm	3500	3055	27W	114	90°
234073 Caster S35034 /4000/27W/80/A90	Ø106x163x150mm±1mm	4000	3135	27W	117	90°
234075 Caster S35004S/2700/35W/80/A15	Ø106x163x150mm±1mm	2700	3710	35W	106	15°
234076 Caster S35004S/3000/35W/80/A15	Ø106x163x150mm±1mm	3000	3745	35W	107	15°
234077 Caster S35004S/3500/35W/80/A15	Ø106x163x150mm±1mm	3500	3815	35W	109	15°
234078 Caster S35004S/4000/35W/80/A15	Ø106x163x150mm±1mm	4000	3920	35W	112	15°
234080 Caster S35004S/2700/35W/80/A30	Ø106x163x150mm±1mm	2700	3710	35W	106	30°
234081 Caster S35004S/3000/35W/80/A30	Ø106x163x150mm±1mm	3000	3745	35W	107	30°
234082 Caster S35004S/3500/35W/80/A30	Ø106x163x150mm±1mm	3500	3815	35W	109	30°
234083 Caster S35004S/4000/35W/80/A30	Ø106x163x150mm±1mm	4000	3920	35W	112	30°
234085 Caster S35004S/2700/35W/80/A45	Ø106x163x150mm±1mm	2700	3710	35W	106	45°
234086 Caster S35004S/3000/35W/80/A45	Ø106x163x150mm±1mm	3000	3745	35W	107	45°
234087 Caster S35004S/3500/35W/80/A45	Ø106x163x150mm±1mm	3500	3815	35W	109	45°
234088 Caster S35004S/4000/35W/80/A45	Ø106x163x150mm±1mm	4000	3920	35W	112	45°
234090 Caster S35004S/2700/35W/80/A60	Ø106x163x150mm±1mm	2700	3710	35W	106	60°
234091 Caster S35004S/3000/35W/80/A60	Ø106x163x150mm±1mm	3000	3745	35W	107	60°
234092 Caster S35004S/3500/35W/80/A60	Ø106x163x150mm±1mm	3500	3815	35W	109	60°
234093 Caster S35004S/4000/35W/80/A60	Ø106x163x150mm±1mm	4000	3920	35W	112	60°
234095 Caster S35034 /2700/35W/80/A90	Ø106x163x150mm±1mm	2700	3710	35W	106	90°
234096 Caster S35034 /3000/35W/80/A90	Ø106x163x150mm±1mm	3000	3745	35W	107	90°
234097 Caster S35034 /3500/35W/80/A90	Ø106x163x150mm±1mm	3500	3815	35W	109	90°
234098 Caster S35034 /4000/35W/80/A90	Ø106x163x150mm±1mm	4000	3920	35W	112	90°
234100 Caster S35004S/2700/42W/80/A15	Ø106x163x150mm±1mm	2700	4200	42W	100	15°
234101 Caster S35004S/3000/42W/80/A15	Ø106x163x150mm±1mm	3000	4200	42W	100	15°
234102 Caster S35004S/3500/42W/80/A15	Ø106x163x150mm±1mm	3500	4330	42W	103	15°
234103 Caster S35004S/4000/42W/80/A15	Ø106x163x150mm±1mm	4000	4455	42W	106	15°
234105 Caster S35004S/2700/42W/80/A30	Ø106x163x150mm±1mm	2700	4200	42W	100	30°
234106 Caster S35004S/3000/42W/80/A30	Ø106x163x150mm±1mm	3000	4200	42W	100	30°
234107 Caster S35004S/3500/42W/80/A30	Ø106x163x150mm±1mm	3500	4330	42W	103	30°
234108 Caster S35004S/4000/42W/80/A30	Ø106x163x150mm±1mm	4000	4455	42W	106	30°
234110 Caster S35004S/2700/42W/80/A45	Ø106x163x150mm±1mm	2700	4200	42W	100	45°
234111 Caster S35004S/3000/42W/80/A45	Ø106x163x150mm±1mm	3000	4200	42W	100	45°
234112 Caster S35004S/3500/42W/80/A45	Ø106x163x150mm±1mm	3500	4330	42W	103	45°
234113 Caster S35004S/4000/42W/80/A45	Ø106x163x150mm±1mm	4000	4455	42W	106	45°
234115 Caster S35004S/2700/42W/80/A60	Ø106x163x150mm±1mm	2700	4200	42W	100	60°
234116 Caster S35004S/3000/42W/80/A60	Ø106x163x150mm±1mm	3000	4200	42W	100	60°
234117 Caster S35004S/3500/42W/80/A60	Ø106x163x150mm±1mm	3500	4330	42W	103	60°
234118 Caster S35004S/4000/42W/80/A60	Ø106x163x150mm±1mm	4000	4455	42W	106	60°
234120 Caster S35034 /2700/42W/80/A90	Ø106x163x150mm±1mm	2700	4200	42W	100	90°
234121 Caster S35034 /3000/42W/80/A90	Ø106x163x150mm±1mm	3000	4200	42W	100	90°
234122 Caster S35034 /3500/42W/80/A90	Ø106x163x150mm±1mm	3500	4330	42W	103	90°
234123 Caster S35034 /4000/42W/80/A90	Ø106x163x150mm±1mm	4000	4455	42W	106	90°
234250 Caster S35004S/BVF/27W/80/A15	Ø106x163x150mm±1mm	BVF	2065	27W	77	15°
234251 Caster S35004S/FBS/27W/80/A15	Ø106x163x150mm±1mm	FBS	1635	27W	61	15°
234252 Caster S35004S/FZM/27W/80/A15	Ø106x163x150mm±1mm	FZM	1530	27W	57	15°
234253 Caster S35004S/FSM/27W/80/A15	Ø106x163x150mm±1mm	FSM	1530	27W	57	15°
234254 Caster S35004S/BVF/27W/80/A30	Ø106x163x150mm±1mm	BVF	2065	27W	77	30°
234255 Caster S35004S/FBS/27W/80/A30	Ø106x163x150mm±1mm	FBS	1635	27W	61	30°
234256 Caster S35004S/FZM/27W/80/A30	Ø106x163x150mm±1mm	FZM	1530	27W	57	30°
234257 Caster S35004S/FSM/27W/80/A30	Ø106x163x150mm±1mm	FSM	1530	27W	57	30°

SKU SPECIFICATIONS

Product Code	Dimensions (mm)	CCT (K)	Lumens (lm)	Power (W)	Eff. (lm/watt)	Lens Angle (°)
CRI 80						
234258 Caster S35004S/BVF/27W/80/A45	Ø106x163x150mm±1mm	BVF	2065	27W	77	45°
234259 Caster S35004S/FBS/27W/80/A45	Ø106x163x150mm±1mm	FBS	1635	27W	61	45°
234260 Caster S35004S/FZM/27W/80/A45	Ø106x163x150mm±1mm	FZM	1530	27W	57	45°
234261 Caster S35004S/FSM/27W/80/A45	Ø106x163x150mm±1mm	FSM	1530	27W	57	45°
234262 Caster S35004S/BVF/27W/80/A60	Ø106x163x150mm±1mm	BVF	2065	27W	77	60°
234263 Caster S35004S/FBS/27W/80/A60	Ø106x163x150mm±1mm	FBS	1635	27W	61	60°
234264 Caster S35004S/FZM/27W/80/A60	Ø106x163x150mm±1mm	FZM	1530	27W	57	60°
234265 Caster S35004S/FSM/27W/80/A60	Ø106x163x150mm±1mm	FSM	1530	27W	57	60°
234266 Caster S35004S/BVF/35W/80/A15	Ø106x163x150mm±1mm	BVF	2590	35W	74	15°
234267 Caster S35004S/FBS/35W/80/A15	Ø106x163x150mm±1mm	FBS	2115	35W	61	15°
234268 Caster S35004S/FZM/35W/80/A15	Ø106x163x150mm±1mm	FZM	1980	35W	57	15°
234269 Caster S35004S/FSM/35W/80/A15	Ø106x163x150mm±1mm	FSM	1980	35W	57	15°
234270 Caster S35004S/BVF/35W/80/A30	Ø106x163x150mm±1mm	BVF	2590	35W	74	30°
234271 Caster S35004S/FBS/35W/80/A30	Ø106x163x150mm±1mm	FBS	2115	35W	61	30°
234272 Caster S35004S/FZM/35W/80/A30	Ø106x163x150mm±1mm	FZM	1980	35W	57	30°
234273 Caster S35004S/FSM/35W/80/A30	Ø106x163x150mm±1mm	FSM	1980	35W	57	30°
234274 Caster S35004S/BVF/35W/80/A45	Ø106x163x150mm±1mm	BVF	2590	35W	74	45°
234275 Caster S35004S/FBS/35W/80/A45	Ø106x163x150mm±1mm	FBS	2115	35W	61	45°
234276 Caster S35004S/FZM/35W/80/A45	Ø106x163x150mm±1mm	FZM	1980	35W	57	45°
234277 Caster S35004S/FSM/35W/80/A45	Ø106x163x150mm±1mm	FSM	1980	35W	57	45°
234278 Caster S35004S/BVF/35W/80/A60	Ø106x163x150mm±1mm	BVF	2590	35W	74	60°
234279 Caster S35004S/FBS/35W/80/A60	Ø106x163x150mm±1mm	FBS	2115	35W	61	60°
234280 Caster S35004S/FZM/35W/80/A60	Ø106x163x150mm±1mm	FZM	1980	35W	57	60°
234281 Caster S35004S/FSM/35W/80/A60	Ø106x163x150mm±1mm	FSM	1980	35W	57	60°
234282 Caster S35004S/BVF/42W/80/A15	Ø106x163x150mm±1mm	BVF	2870	42W	69	15°
234283 Caster S35004S/FBS/42W/80/A15	Ø106x163x150mm±1mm	FBS	2450	42W	59	15°
234284 Caster S35004S/FZM/42W/80/A15	Ø106x163x150mm±1mm	FZM	2325	42W	56	15°
234285 Caster S35004S/FSM/42W/80/A15	Ø106x163x150mm±1mm	FSM	2325	42W	56	15°
234286 Caster S35004S/BVF/42W/80/A30	Ø106x163x150mm±1mm	BVF	2870	42W	69	30°
234287 Caster S35004S/FBS/42W/80/A30	Ø106x163x150mm±1mm	FBS	2450	42W	59	30°
234288 Caster S35004S/FZM/42W/80/A30	Ø106x163x150mm±1mm	FZM	2325	42W	56	30°
234289 Caster S35004S/FSM/42W/80/A30	Ø106x163x150mm±1mm	FSM	2325	42W	56	30°
234290 Caster S35004S/BVF/42W/80/A45	Ø106x163x150mm±1mm	BVF	2870	42W	69	45°
234291 Caster S35004S/FBS/42W/80/A45	Ø106x163x150mm±1mm	FBS	2450	42W	59	45°
234292 Caster S35004S/FZM/42W/80/A45	Ø106x163x150mm±1mm	FZM	2325	42W	56	45°
234293 Caster S35004S/FSM/42W/80/A45	Ø106x163x150mm±1mm	FSM	2325	42W	56	45°
234294 Caster S35004S/BVF/42W/80/A60	Ø106x163x150mm±1mm	BVF	2870	42W	69	60°
234295 Caster S35004S/FBS/42W/80/A60	Ø106x163x150mm±1mm	FBS	2450	42W	59	60°
234296 Caster S35004S/FZM/42W/80/A60	Ø106x163x150mm±1mm	FZM	2325	42W	56	60°
234297 Caster S35004S/FSM/42W/80/A60	Ø106x163x150mm±1mm	FSM	2325	42W	56	60°
234334 Caster S35004S/FSH/27W/80/A15	Ø106x163x150mm±1mm	FSH	2250	27W	84	15°
234335 Caster S35004S/FSH/27W/80/A30	Ø106x163x150mm±1mm	FSH	2250	27W	84	30°
234336 Caster S35004S/FSH/27W/80/A45	Ø106x163x150mm±1mm	FSH	2250	27W	84	45°
234337 Caster S35004S/FSH/27W/80/A60	Ø106x163x150mm±1mm	FSH	2250	27W	84	60°
234338 Caster S35004S/FSH/35W/80/A15	Ø106x163x150mm±1mm	FSH	2755	35W	79	15°
234339 Caster S35004S/FSH/35W/80/A30	Ø106x163x150mm±1mm	FSH	2755	35W	79	30°
234340 Caster S35004S/FSH/35W/80/A45	Ø106x163x150mm±1mm	FSH	2755	35W	79	45°
234341 Caster S35004S/FSH/35W/80/A60	Ø106x163x150mm±1mm	FSH	2755	35W	79	60°
234342 Caster S35004S/FSH/42W/80/A15	Ø106x163x150mm±1mm	FSH	3155	42W	76	15°
234343 Caster S35004S/FSH/42W/80/A30	Ø106x163x150mm±1mm	FSH	3155	42W	76	30°
234344 Caster S35004S/FSH/42W/80/A45	Ø106x163x150mm±1mm	FSH	3155	42W	76	45°
234345 Caster S35004S/FSH/42W/80/A60	Ø106x163x150mm±1mm	FSH	3155	42W	76	60°
234527 Caster S35004S/BVF/14W/80/A15	Ø106x163x150mm±1mm	BVF	1080	14W	77	15°
234528 Caster S35004S/FBS/14W/80/A15	Ø106x163x150mm±1mm	FBS	855	14W	61	15°

SKU SPECIFICATIONS

Product Code	Dimensions (mm)	CCT (K)	Lumens (lm)	Power (W)	Eff. (lm/watt)	Lens Angle (°)
CRI 80						
234529 Caster S35004S/FZM/14W/80/A15	Ø106x163x150mm±1mm	FZM	800	14W	57	15°
234530 Caster S35004S/FSM/14W/80/A15	Ø106x163x150mm±1mm	FSM	800	14W	57	15°
234531 Caster S35004S/FSH/14W/80/A15	Ø106x163x150mm±1mm	FSH	1180	14W	84	15°
234532 Caster S35004S/BVF/14W/80/A30	Ø106x163x150mm±1mm	BVF	1080	14W	77	30°
234533 Caster S35004S/FBS/14W/80/A30	Ø106x163x150mm±1mm	FBS	855	14W	61	30°
234534 Caster S35004S/FZM/14W/80/A30	Ø106x163x150mm±1mm	FZM	800	14W	57	30°
234535 Caster S35004S/FSM/14W/80/A30	Ø106x163x150mm±1mm	FSM	800	14W	57	30°
234536 Caster S35004S/FSH/14W/80/A30	Ø106x163x150mm±1mm	FSH	1180	14W	84	30°
234537 Caster S35004S/BVF/14W/80/A45	Ø106x163x150mm±1mm	BVF	1080	14W	77	45°
234538 Caster S35004S/FBS/14W/80/A45	Ø106x163x150mm±1mm	FBS	855	14W	61	45°
234539 Caster S35004S/FZM/14W/80/A45	Ø106x163x150mm±1mm	FZM	800	14W	57	45°
234540 Caster S35004S/FSM/14W/80/A45	Ø106x163x150mm±1mm	FSM	800	14W	57	45°
234541 Caster S35004S/FSH/14W/80/A45	Ø106x163x150mm±1mm	FSH	1180	14W	84	45°
234542 Caster S35004S/BVF/14W/80/A60	Ø106x163x150mm±1mm	BVF	1080	14W	77	60°
234543 Caster S35004S/FBS/14W/80/A60	Ø106x163x150mm±1mm	FBS	855	14W	61	60°
234544 Caster S35004S/FZM/14W/80/A60	Ø106x163x150mm±1mm	FZM	800	14W	57	60°
234545 Caster S35004S/FSM/14W/80/A60	Ø106x163x150mm±1mm	FSM	800	14W	57	60°
234546 Caster S35004S/FSH/14W/80/A60	Ø106x163x150mm±1mm	FSH	1180	14W	84	60°
234552 Caster S35004S/BVF/20W/80/A15	Ø106x163x150mm±1mm	BVF	1540	20W	77	15°
234553 Caster S35004S/FBS/20W/80/A15	Ø106x163x150mm±1mm	FBS	1220	20W	61	15°
234554 Caster S35004S/FZM/20W/80/A15	Ø106x163x150mm±1mm	FZM	1140	20W	57	15°
234555 Caster S35004S/FSM/20W/80/A15	Ø106x163x150mm±1mm	FSM	1140	20W	57	15°
234556 Caster S35004S/FSH/20W/80/A15	Ø106x163x150mm±1mm	FSH	1680	20W	84	15°
234557 Caster S35004S/BVF/20W/80/A30	Ø106x163x150mm±1mm	BVF	1540	20W	77	30°
234558 Caster S35004S/FBS/20W/80/A30	Ø106x163x150mm±1mm	FBS	1220	20W	61	30°
234559 Caster S35004S/FZM/20W/80/A30	Ø106x163x150mm±1mm	FZM	1140	20W	57	30°
234560 Caster S35004S/FSM/20W/80/A30	Ø106x163x150mm±1mm	FSM	1140	20W	57	30°
234561 Caster S35004S/FSH/20W/80/A30	Ø106x163x150mm±1mm	FSH	1680	20W	84	30°
234562 Caster S35004S/BVF/20W/80/A45	Ø106x163x150mm±1mm	BVF	1540	20W	77	45°
234563 Caster S35004S/FBS/20W/80/A45	Ø106x163x150mm±1mm	FBS	1220	20W	61	45°
234564 Caster S35004S/FZM/20W/80/A45	Ø106x163x150mm±1mm	FZM	1140	20W	57	45°
234565 Caster S35004S/FSM/20W/80/A45	Ø106x163x150mm±1mm	FSM	1140	20W	57	45°
234566 Caster S35004S/FSH/20W/80/A45	Ø106x163x150mm±1mm	FSH	1680	20W	84	45°
234567 Caster S35004S/BVF/20W/80/A60	Ø106x163x150mm±1mm	BVF	1540	20W	77	60°
234568 Caster S35004S/FBS/20W/80/A60	Ø106x163x150mm±1mm	FBS	1220	20W	61	60°
234569 Caster S35004S/FZM/20W/80/A60	Ø106x163x150mm±1mm	FZM	1140	20W	57	60°
234570 Caster S35004S/FSM/20W/80/A60	Ø106x163x150mm±1mm	FSM	1140	20W	57	60°
234571 Caster S35004S/FSH/20W/80/A60	Ø106x163x150mm±1mm	FSH	1680	20W	84	60°
234577 Caster S35004S/2700/50W/80/A15	Ø106x163x150mm±1mm	2700	5000	50W	100	15°
234578 Caster S35004S/3000/50W/80/A15	Ø106x163x150mm±1mm	3000	5000	50W	100	15°
234579 Caster S35004S/3500/50W/80/A15	Ø106x163x150mm±1mm	3500	5150	50W	103	15°
234580 Caster S35004S/4000/50W/80/A15	Ø106x163x150mm±1mm	4000	5300	50W	106	15°
234582 Caster S35004S/2700/50W/80/A30	Ø106x163x150mm±1mm	2700	5000	50W	100	30°
234583 Caster S35004S/3000/50W/80/A30	Ø106x163x150mm±1mm	3000	5000	50W	100	30°
234584 Caster S35004S/3500/50W/80/A30	Ø106x163x150mm±1mm	3500	5150	50W	103	30°
234585 Caster S35004S/4000/50W/80/A30	Ø106x163x150mm±1mm	4000	5300	50W	106	30°
234587 Caster S35004S/2700/50W/80/A45	Ø106x163x150mm±1mm	2700	5000	50W	100	45°
234588 Caster S35004S/3000/50W/80/A45	Ø106x163x150mm±1mm	3000	5000	50W	100	45°
234589 Caster S35004S/3500/50W/80/A45	Ø106x163x150mm±1mm	3500	5150	50W	103	45°
234590 Caster S35004S/4000/50W/80/A45	Ø106x163x150mm±1mm	4000	5300	50W	106	45°
234592 Caster S35004S/2700/50W/80/A60	Ø106x163x150mm±1mm	2700	5000	50W	100	60°
234593 Caster S35004S/3000/50W/80/A60	Ø106x163x150mm±1mm	3000	5000	50W	100	60°
234594 Caster S35004S/3500/50W/80/A60	Ø106x163x150mm±1mm	3500	5150	50W	103	60°
234595 Caster S35004S/4000/50W/80/A60	Ø106x163x150mm±1mm	4000	5300	50W	106	60°

SKU SPECIFICATIONS

Product Code	Dimensions (mm)	CCT (K)	Lumens (lm)	Power (W)	Eff. (lm/watt)	Lens Angle (°)
CRI 80						
234597 Caster S35034 /2700/50W/80/A90	Ø106x163x150mm±1mm	2700	5000	50W	100	90°
234598 Caster S35034 /3000/50W/80/A90	Ø106x163x150mm±1mm	3000	5000	50W	100	90°
234599 Caster S35034 /3500/50W/80/A90	Ø106x163x150mm±1mm	3500	5150	50W	103	90°
234600 Caster S35034 /4000/50W/80/A90	Ø106x163x150mm±1mm	4000	5300	50W	106	90°
234682 Caster S35004S/AMB2200/14W/80/A15	Ø106x163x150mm±1mm	AMB2200K	1020	14W	73	15°
234683 Caster S35004S/AMB2200/14W/80/A30	Ø106x163x150mm±1mm	AMB2200K	1020	14W	73	30°
234684 Caster S35004S/AMB2200/14W/80/A45	Ø106x163x150mm±1mm	AMB2200K	1020	14W	73	45°
234685 Caster S35004S/AMB2200/14W/80/A60	Ø106x163x150mm±1mm	AMB2200K	1020	14W	73	60°
234686 Caster S35034 /AMB2200/14W/80/A90	Ø106x163x150mm±1mm	AMB2200K	1020	14W	73	90°
234687 Caster S35004S/AMB2200/20W/80/A15	Ø106x163x150mm±1mm	AMB2200K	1410	20W	71	15°
234688 Caster S35004S/AMB2200/20W/80/A30	Ø106x163x150mm±1mm	AMB2200K	1410	20W	71	30°
234689 Caster S35004S/AMB2200/20W/80/A45	Ø106x163x150mm±1mm	AMB2200K	1410	20W	71	45°
234690 Caster S35004S/AMB2200/20W/80/A60	Ø106x163x150mm±1mm	AMB2200K	1410	20W	71	60°
234691 Caster S35034 /AMB2200/20W/80/A90	Ø106x163x150mm±1mm	AMB2200K	1410	20W	71	90°
234692 Caster S35004S/AMB2200/27W/80/A15	Ø106x163x150mm±1mm	AMB2200K	1870	27W	70	15°
234693 Caster S35004S/AMB2200/27W/80/A30	Ø106x163x150mm±1mm	AMB2200K	1870	27W	70	30°
234694 Caster S35004S/AMB2200/27W/80/A45	Ø106x163x150mm±1mm	AMB2200K	1870	27W	70	45°
234695 Caster S35004S/AMB2200/27W/80/A60	Ø106x163x150mm±1mm	AMB2200K	1870	27W	70	60°
234696 Caster S35034 /AMB2200/27W/80/A90	Ø106x163x150mm±1mm	AMB2200K	1870	27W	70	90°
234697 Caster S35004S/AMB2200/35W/80/A15	Ø106x163x150mm±1mm	AMB2200K	2585	35W	74	15°
234698 Caster S35004S/AMB2200/35W/80/A30	Ø106x163x150mm±1mm	AMB2200K	2585	35W	74	30°
234699 Caster S35004S/AMB2200/35W/80/A45	Ø106x163x150mm±1mm	AMB2200K	2585	35W	74	45°
234700 Caster S35004S/AMB2200/35W/80/A60	Ø106x163x150mm±1mm	AMB2200K	2585	35W	74	60°
234701 Caster S35034 /AMB2200/35W/80/A90	Ø106x163x150mm±1mm	AMB2200K	2585	35W	74	90°
234702 Caster S35004S/AMB2200/42W/80/A15	Ø106x163x150mm±1mm	AMB2200K	2930	42W	70	15°
234703 Caster S35004S/AMB2200/42W/80/A30	Ø106x163x150mm±1mm	AMB2200K	2930	42W	70	30°
234704 Caster S35004S/AMB2200/42W/80/A45	Ø106x163x150mm±1mm	AMB2200K	2930	42W	70	45°
234705 Caster S35004S/AMB2200/42W/80/A60	Ø106x163x150mm±1mm	AMB2200K	2930	42W	70	60°
234706 Caster S35034 /AMB2200/42W/80/A90	Ø106x163x150mm±1mm	AMB2200K	2930	42W	70	90°
CRI 90						
234712 Caster S35004S/ENT5600/16W/90/A15	Ø106x163x150mm±1mm	ENT5600	1555	16W	98	15°
234713 Caster S35004S/ENT5600/16W/90/A30	Ø106x163x150mm±1mm	ENT5600	1555	16W	98	30°
234714 Caster S35004S/ENT5600/16W/90/A45	Ø106x163x150mm±1mm	ENT5600	1555	16W	98	45°
234715 Caster S35004S/ENT5600/16W/90/A60	Ø106x163x150mm±1mm	ENT5600	1555	16W	98	60°
234716 Caster S35034 /ENT5600/16W/90/A90	Ø106x163x150mm±1mm	ENT5600	1555	16W	98	90°
234717 Caster S35004S/ENT5600/21W/90/A15	Ø106x163x150mm±1mm	ENT5600	2030	21W	97	15°
234718 Caster S35004S/ENT5600/21W/90/A30	Ø106x163x150mm±1mm	ENT5600	2030	21W	97	30°
234719 Caster S35004S/ENT5600/21W/90/A45	Ø106x163x150mm±1mm	ENT5600	2030	21W	97	45°
234720 Caster S35004S/ENT5600/21W/90/A60	Ø106x163x150mm±1mm	ENT5600	2030	21W	97	60°
234721 Caster S35034 /ENT5600/21W/90/A90	Ø106x163x150mm±1mm	ENT5600	2030	21W	97	90°
234722 Caster S35004S/ENT5600/27W/90/A15	Ø106x163x150mm±1mm	ENT5600	2575	27W	96	15°
234723 Caster S35004S/ENT5600/27W/90/A30	Ø106x163x150mm±1mm	ENT5600	2575	27W	96	30°
234724 Caster S35004S/ENT5600/27W/90/A45	Ø106x163x150mm±1mm	ENT5600	2575	27W	96	45°
234725 Caster S35004S/ENT5600/27W/90/A60	Ø106x163x150mm±1mm	ENT5600	2575	27W	96	60°
234726 Caster S35034 /ENT5600/27W/90/A90	Ø106x163x150mm±1mm	ENT5600	2575	27W	96	90°
234727 Caster S35004S/ENT5600/32W/90/A15	Ø106x163x150mm±1mm	ENT5600	3005	32W	94	15°
234728 Caster S35004S/ENT5600/32W/90/A30	Ø106x163x150mm±1mm	ENT5600	3005	32W	94	30°
234729 Caster S35004S/ENT5600/32W/90/A45	Ø106x163x150mm±1mm	ENT5600	3005	32W	94	45°
234730 Caster S35004S/ENT5600/32W/90/A60	Ø106x163x150mm±1mm	ENT5600	3005	32W	94	60°
234731 Caster S35034 /ENT5600/32W/90/A90	Ø106x163x150mm±1mm	ENT5600	3005	32W	94	90°

SKU SPECIFICATIONS

Product Code	Dimensions (mm)	CCT (K)	Lumens (lm)	Power (W)	Eff. (lm/watt)	Lens Angle (°)
CRI 93						
234453 Caster S35004S/AGI3000/17W/93/A15	Ø106x163x150mm±1mm	AGI3000	985	17W	58	15°
234454 Caster S35004S/AGI3500/17W/93/A15	Ø106x163x150mm±1mm	AGI3500	1050	17W	62	15°
234455 Caster S35004S/AGI4000/17W/93/A15	Ø106x163x150mm±1mm	AGI4000	1115	17W	66	15°
234456 Caster S35004S/AGI3000/17W/93/A30	Ø106x163x150mm±1mm	AGI3000	985	17W	58	30°
234457 Caster S35004S/AGI3500/17W/93/A30	Ø106x163x150mm±1mm	AGI3500	1050	17W	62	30°
234458 Caster S35004S/AGI4000/17W/93/A30	Ø106x163x150mm±1mm	AGI4000	1115	17W	66	30°
234459 Caster S35004S/AGI3000/17W/93/A45	Ø106x163x150mm±1mm	AGI3000	985	17W	58	45°
234460 Caster S35004S/AGI3500/17W/93/A45	Ø106x163x150mm±1mm	AGI3500	1050	17W	62	45°
234461 Caster S35004S/AGI4000/17W/93/A45	Ø106x163x150mm±1mm	AGI4000	1115	17W	66	45°
234462 Caster S35004S/AGI3000/17W/93/A60	Ø106x163x150mm±1mm	AGI3000	985	17W	58	60°
234463 Caster S35004S/AGI3500/17W/93/A60	Ø106x163x150mm±1mm	AGI3500	1050	17W	62	60°
234464 Caster S35004S/AGI4000/17W/93/A60	Ø106x163x150mm±1mm	AGI4000	1115	17W	66	60°
234465 Caster S35034 /AGI3000/17W/93/A90	Ø106x163x150mm±1mm	AGI3000	985	17W	58	90°
234466 Caster S35034 /AGI3500/17W/93/A90	Ø106x163x150mm±1mm	AGI3500	1050	17W	62	90°
234467 Caster S35034 /AGI4000/17W/93/A90	Ø106x163x150mm±1mm	AGI4000	1115	17W	66	90°
234471 Caster S35004S/AGI3000/23W/93/A15	Ø106x163x150mm±1mm	AGI3000	1330	23W	58	15°
234472 Caster S35004S/AGI3500/23W/93/A15	Ø106x163x150mm±1mm	AGI3500	1440	23W	63	15°
234473 Caster S35004S/AGI4000/23W/93/A15	Ø106x163x150mm±1mm	AGI4000	1550	23W	68	15°
234474 Caster S35004S/AGI3000/23W/93/A30	Ø106x163x150mm±1mm	AGI3000	1330	23W	58	30°
234475 Caster S35004S/AGI3500/23W/93/A30	Ø106x163x150mm±1mm	AGI3500	1440	23W	63	30°
234476 Caster S35004S/AGI4000/23W/93/A30	Ø106x163x150mm±1mm	AGI4000	1550	23W	68	30°
234477 Caster S35004S/AGI3000/23W/93/A45	Ø106x163x150mm±1mm	AGI3000	1330	23W	58	45°
234478 Caster S35004S/AGI3500/23W/93/A45	Ø106x163x150mm±1mm	AGI3500	1440	23W	63	45°
234479 Caster S35004S/AGI4000/23W/93/A45	Ø106x163x150mm±1mm	AGI4000	1550	23W	68	45°
234480 Caster S35004S/AGI3000/23W/93/A60	Ø106x163x150mm±1mm	AGI3000	1330	23W	58	60°
234481 Caster S35004S/AGI3500/23W/93/A60	Ø106x163x150mm±1mm	AGI3500	1440	23W	63	60°
234482 Caster S35004S/AGI4000/23W/93/A60	Ø106x163x150mm±1mm	AGI4000	1550	23W	68	60°
234483 Caster S35034 /AGI3000/23W/93/A90	Ø106x163x150mm±1mm	AGI3000	1330	23W	58	90°
234484 Caster S35034 /AGI3500/23W/93/A90	Ø106x163x150mm±1mm	AGI3500	1440	23W	63	90°
234485 Caster S35034 /AGI4000/23W/93/A90	Ø106x163x150mm±1mm	AGI4000	1550	23W	68	90°
234489 Caster S35004S/AGI3000/29W/93/A15	Ø106x163x150mm±1mm	AGI3000	1680	29W	58	15°
234490 Caster S35004S/AGI3500/29W/93/A15	Ø106x163x150mm±1mm	AGI3500	1820	29W	63	15°
234491 Caster S35004S/AGI4000/29W/93/A15	Ø106x163x150mm±1mm	AGI4000	1960	29W	68	15°
234492 Caster S35004S/AGI3000/29W/93/A30	Ø106x163x150mm±1mm	AGI3000	1680	29W	58	30°
234493 Caster S35004S/AGI3500/29W/93/A30	Ø106x163x150mm±1mm	AGI3500	1820	29W	63	30°
234494 Caster S35004S/AGI4000/29W/93/A30	Ø106x163x150mm±1mm	AGI4000	1960	29W	68	30°
234495 Caster S35004S/AGI3000/29W/93/A45	Ø106x163x150mm±1mm	AGI3000	1680	29W	58	45°
234496 Caster S35004S/AGI3500/29W/93/A45	Ø106x163x150mm±1mm	AGI3500	1820	29W	63	45°
234497 Caster S35004S/AGI4000/29W/93/A45	Ø106x163x150mm±1mm	AGI4000	1960	29W	68	45°
234498 Caster S35004S/AGI3000/29W/93/A60	Ø106x163x150mm±1mm	AGI3000	1680	29W	58	60°
234499 Caster S35004S/AGI3500/29W/93/A60	Ø106x163x150mm±1mm	AGI3500	1820	29W	63	60°
234500 Caster S35004S/AGI4000/29W/93/A60	Ø106x163x150mm±1mm	AGI4000	1960	29W	68	60°
234501 Caster S35034 /AGI3000/29W/93/A90	Ø106x163x150mm±1mm	AGI3000	1680	29W	58	90°
234502 Caster S35034 /AGI3500/29W/93/A90	Ø106x163x150mm±1mm	AGI3500	1820	29W	63	90°
234503 Caster S35034 /AGI4000/29W/93/A90	Ø106x163x150mm±1mm	AGI4000	1960	29W	68	90°
234507 Caster S35004S/AGI3000/34W/93/A15	Ø106x163x150mm±1mm	AGI3000	1900	34W	56	15°
234508 Caster S35004S/AGI3500/34W/93/A15	Ø106x163x150mm±1mm	AGI3500	1995	34W	59	15°
234509 Caster S35004S/AGI4000/34W/93/A15	Ø106x163x150mm±1mm	AGI4000	2095	34W	62	15°
234510 Caster S35004S/AGI3000/34W/93/A30	Ø106x163x150mm±1mm	AGI3000	1900	34W	56	30°
234511 Caster S35004S/AGI3500/34W/93/A30	Ø106x163x150mm±1mm	AGI3500	1995	34W	59	30°
234512 Caster S35004S/AGI4000/34W/93/A30	Ø106x163x150mm±1mm	AGI4000	2095	34W	62	30°
234513 Caster S35004S/AGI3000/34W/93/A45	Ø106x163x150mm±1mm	AGI3000	1900	34W	56	45°
234514 Caster S35004S/AGI3500/34W/93/A45	Ø106x163x150mm±1mm	AGI3500	1995	34W	59	45°
234515 Caster S35004S/AGI4000/34W/93/A45	Ø106x163x150mm±1mm	AGI4000	2095	34W	62	45°

SKU SPECIFICATIONS

Product Code	Dimensions (mm)	CCT (K)	Lumens (lm)	Power (W)	Eff. (lm/watt)	Lens Angle (°)
CRI 93						
234516 Caster S35004S/AGI3000/34W/93/A60	Ø106x163x150mm±1mm	AGI3000	1900	34W	56	60°
234517 Caster S35004S/AGI3500/34W/93/A60	Ø106x163x150mm±1mm	AGI3500	1995	34W	59	60°
234518 Caster S35004S/AGI4000/34W/93/A60	Ø106x163x150mm±1mm	AGI4000	2095	34W	62	60°
234519 Caster S35034 /AGI3000/34W/93/A90	Ø106x163x150mm±1mm	AGI3000	1900	34W	56	90°
234520 Caster S35034 /AGI3500/34W/93/A90	Ø106x163x150mm±1mm	AGI3500	1995	34W	59	90°
234521 Caster S35034 /AGI4000/34W/93/A90	Ø106x163x150mm±1mm	AGI4000	2095	34W	62	90°
CRI 95						
234322 Caster S35004S/FAS/27W/95/A15	Ø106x163x150mm±1mm	FAS	2080	27W	78	78
234323 Caster S35004S/FAS/27W/95/A30	Ø106x163x150mm±1mm	FAS	2080	27W	78	78
234324 Caster S35004S/FAS/27W/95/A45	Ø106x163x150mm±1mm	FAS	2080	27W	78	78
234325 Caster S35004S/FAS/27W/95/A60	Ø106x163x150mm±1mm	FAS	2080	27W	78	78
234326 Caster S35004S/FAS/35W/95/A15	Ø106x163x150mm±1mm	FAS	2535	35W	73	73
234327 Caster S35004S/FAS/35W/95/A30	Ø106x163x150mm±1mm	FAS	2535	35W	73	73
234328 Caster S35004S/FAS/35W/95/A45	Ø106x163x150mm±1mm	FAS	2535	35W	73	73
234329 Caster S35004S/FAS/35W/95/A60	Ø106x163x150mm±1mm	FAS	2535	35W	73	73
234330 Caster S35004S/FAS/42W/95/A15	Ø106x163x150mm±1mm	FAS	2930	42W	70	70
234331 Caster S35004S/FAS/42W/95/A30	Ø106x163x150mm±1mm	FAS	2930	42W	70	70
234332 Caster S35004S/FAS/42W/95/A45	Ø106x163x150mm±1mm	FAS	2930	42W	70	70
234333 Caster S35004S/FAS/42W/95/A60	Ø106x163x150mm±1mm	FAS	2930	42W	70	70
234602 Caster S35004S/2700/14W/95/A15	Ø106x163x150mm±1mm	2700	1225	14W	88	88
234603 Caster S35004S/3000/14W/95/A15	Ø106x163x150mm±1mm	3000	1240	14W	89	89
234604 Caster S35004S/3500/14W/95/A15	Ø106x163x150mm±1mm	3500	1270	14W	91	91
234605 Caster S35004S/4000/14W/95/A15	Ø106x163x150mm±1mm	4000	1295	14W	93	93
234606 Caster S35004S/2700/14W/95/A30	Ø106x163x150mm±1mm	2700	1225	14W	88	88
234607 Caster S35004S/3000/14W/95/A30	Ø106x163x150mm±1mm	3000	1240	14W	89	89
234608 Caster S35004S/3500/14W/95/A30	Ø106x163x150mm±1mm	3500	1270	14W	91	91
234609 Caster S35004S/4000/14W/95/A30	Ø106x163x150mm±1mm	4000	1295	14W	93	93
234610 Caster S35004S/2700/14W/95/A45	Ø106x163x150mm±1mm	2700	1225	14W	88	88
234611 Caster S35004S/3000/14W/95/A45	Ø106x163x150mm±1mm	3000	1240	14W	89	89
234612 Caster S35004S/3500/14W/95/A45	Ø106x163x150mm±1mm	3500	1270	14W	91	91
234613 Caster S35004S/4000/14W/95/A45	Ø106x163x150mm±1mm	4000	1295	14W	93	93
234614 Caster S35034 /2700/14W/95/A90	Ø106x163x150mm±1mm	2700	1225	14W	88	88
234615 Caster S35034 /3000/14W/95/A90	Ø106x163x150mm±1mm	3000	1240	14W	89	89
234616 Caster S35034 /3500/14W/95/A90	Ø106x163x150mm±1mm	3500	1270	14W	91	91
234617 Caster S35034 /4000/14W/95/A90	Ø106x163x150mm±1mm	4000	1295	14W	93	93
234618 Caster S35004S/2700/20W/95/A15	Ø106x163x150mm±1mm	2700	1655	20W	83	83
234619 Caster S35004S/3000/20W/95/A15	Ø106x163x150mm±1mm	3000	1675	20W	84	84
234620 Caster S35004S/3500/20W/95/A15	Ø106x163x150mm±1mm	3500	1720	20W	86	86
234621 Caster S35004S/4000/20W/95/A15	Ø106x163x150mm±1mm	4000	1750	20W	88	88
234622 Caster S35004S/2700/20W/95/A30	Ø106x163x150mm±1mm	2700	1655	20W	83	83
234623 Caster S35004S/3000/20W/95/A30	Ø106x163x150mm±1mm	3000	1675	20W	84	84
234624 Caster S35004S/3500/20W/95/A30	Ø106x163x150mm±1mm	3500	1720	20W	86	86
234625 Caster S35004S/4000/20W/95/A30	Ø106x163x150mm±1mm	4000	1750	20W	88	88
234626 Caster S35004S/2700/20W/95/A45	Ø106x163x150mm±1mm	2700	1655	20W	83	83
234627 Caster S35004S/3000/20W/95/A45	Ø106x163x150mm±1mm	3000	1675	20W	84	84
234628 Caster S35004S/3500/20W/95/A45	Ø106x163x150mm±1mm	3500	1720	20W	86	86
234629 Caster S35004S/4000/20W/95/A45	Ø106x163x150mm±1mm	4000	1750	20W	88	88
234630 Caster S35034 /2700/20W/95/A90	Ø106x163x150mm±1mm	2700	1655	20W	83	83
234631 Caster S35034 /3000/20W/95/A90	Ø106x163x150mm±1mm	3000	1675	20W	84	84
234632 Caster S35034 /3500/20W/95/A90	Ø106x163x150mm±1mm	3500	1720	20W	86	86
234633 Caster S35034 /4000/20W/95/A90	Ø106x163x150mm±1mm	4000	1750	20W	88	88
234634 Caster S35004S/2700/27W/95/A15	Ø106x163x150mm±1mm	2700	2275	27W	85	85
234635 Caster S35004S/3000/27W/95/A15	Ø106x163x150mm±1mm	3000	2295	27W	85	85

SKU SPECIFICATIONS

Product Code	Dimensions (mm)	CCT (K)	Lumens (lm)	Power (W)	Eff. (lm/watt)	Lens Angle (°)
CRI 95						
234636 Caster S35004S/3500/27W/95/A15	Ø106x163x150mm±1mm	3500	2355	27W	88	88
234637 Caster S35004S/4000/27W/95/A15	Ø106x163x150mm±1mm	4000	2405	27W	90	90
234638 Caster S35004S/2700/27W/95/A30	Ø106x163x150mm±1mm	2700	2275	27W	85	85
234639 Caster S35004S/3000/27W/95/A30	Ø106x163x150mm±1mm	3000	2295	27W	85	85
234640 Caster S35004S/3500/27W/95/A30	Ø106x163x150mm±1mm	3500	2355	27W	88	88
234641 Caster S35004S/4000/27W/95/A30	Ø106x163x150mm±1mm	4000	2405	27W	90	90
234642 Caster S35004S/2700/27W/95/A45	Ø106x163x150mm±1mm	2700	2275	27W	85	85
234643 Caster S35004S/3000/27W/95/A45	Ø106x163x150mm±1mm	3000	2295	27W	85	85
234644 Caster S35004S/3500/27W/95/A45	Ø106x163x150mm±1mm	3500	2355	27W	88	88
234645 Caster S35004S/4000/27W/95/A45	Ø106x163x150mm±1mm	4000	2405	27W	90	90
234646 Caster S35034 /2700/27W/95/A90	Ø106x163x150mm±1mm	2700	2275	27W	85	85
234647 Caster S35034 /3000/27W/95/A90	Ø106x163x150mm±1mm	3000	2295	27W	85	85
234648 Caster S35034 /3500/27W/95/A90	Ø106x163x150mm±1mm	3500	2355	27W	88	88
234649 Caster S35034 /4000/27W/95/A90	Ø106x163x150mm±1mm	4000	2405	27W	90	90
234650 Caster S35004S/2700/35W/95/A15	Ø106x163x150mm±1mm	2700	2805	35W	81	81
234651 Caster S35004S/3000/35W/95/A15	Ø106x163x150mm±1mm	3000	2830	35W	81	81
234652 Caster S35004S/3500/35W/95/A15	Ø106x163x150mm±1mm	3500	2910	35W	84	84
234653 Caster S35004S/4000/35W/95/A15	Ø106x163x150mm±1mm	4000	2965	35W	85	85
234654 Caster S35004S/2700/35W/95/A30	Ø106x163x150mm±1mm	2700	2805	35W	81	81
234655 Caster S35004S/3000/35W/95/A30	Ø106x163x150mm±1mm	3000	2830	35W	81	81
234656 Caster S35004S/3500/35W/95/A30	Ø106x163x150mm±1mm	3500	2910	35W	84	84
234657 Caster S35004S/4000/35W/95/A30	Ø106x163x150mm±1mm	4000	2965	35W	85	85
234658 Caster S35004S/2700/35W/95/A45	Ø106x163x150mm±1mm	2700	2805	35W	81	81
234659 Caster S35004S/3000/35W/95/A45	Ø106x163x150mm±1mm	3000	2830	35W	81	81
234660 Caster S35004S/3500/35W/95/A45	Ø106x163x150mm±1mm	3500	2910	35W	84	84
234661 Caster S35004S/4000/35W/95/A45	Ø106x163x150mm±1mm	4000	2965	35W	85	85
234662 Caster S35034 /2700/35W/95/A90	Ø106x163x150mm±1mm	2700	2805	35W	81	81
234663 Caster S35034 /3000/35W/95/A90	Ø106x163x150mm±1mm	3000	2830	35W	81	81
234664 Caster S35034 /3500/35W/95/A90	Ø106x163x150mm±1mm	3500	2910	35W	84	84
234665 Caster S35034 /4000/35W/95/A90	Ø106x163x150mm±1mm	4000	2965	35W	85	85
234666 Caster S35004S/2700/42W/95/A15	Ø106x163x150mm±1mm	2700	3190	42W	76	76
234667 Caster S35004S/3000/42W/95/A15	Ø106x163x150mm±1mm	3000	3220	42W	77	77
234668 Caster S35004S/3500/42W/95/A15	Ø106x163x150mm±1mm	3500	3310	42W	79	79
234669 Caster S35004S/4000/42W/95/A15	Ø106x163x150mm±1mm	4000	3375	42W	81	81
234670 Caster S35004S/2700/42W/95/A30	Ø106x163x150mm±1mm	2700	3190	42W	76	76
234671 Caster S35004S/3000/42W/95/A30	Ø106x163x150mm±1mm	3000	3220	42W	77	77
234672 Caster S35004S/3500/42W/95/A30	Ø106x163x150mm±1mm	3500	3310	42W	79	79
234673 Caster S35004S/4000/42W/95/A30	Ø106x163x150mm±1mm	4000	3375	42W	81	81
234674 Caster S35004S/2700/42W/95/A45	Ø106x163x150mm±1mm	2700	3190	42W	76	76
234675 Caster S35004S/3000/42W/95/A45	Ø106x163x150mm±1mm	3000	3220	42W	77	77
234676 Caster S35004S/3500/42W/95/A45	Ø106x163x150mm±1mm	3500	3310	42W	79	79
234677 Caster S35004S/4000/42W/95/A45	Ø106x163x150mm±1mm	4000	3375	42W	81	81
234678 Caster S35034 /2700/42W/95/A90	Ø106x163x150mm±1mm	2700	3190	42W	76	76
234679 Caster S35034 /3000/42W/95/A90	Ø106x163x150mm±1mm	3000	3220	42W	77	77
234680 Caster S35034 /3500/42W/95/A90	Ø106x163x150mm±1mm	3500	3310	42W	79	79
234681 Caster S35034 /4000/42W/95/A90	Ø106x163x150mm±1mm	4000	3375	42W	81	81
CRI 97						
234740 Caster S35004S/ENT5600/16W/97/A15	Ø106x163x150mm±1mm	ENT5600	1385	16W	87	15°
234741 Caster S35004S/ENT5600/16W/97/A30	Ø106x163x150mm±1mm	ENT5600	1385	16W	87	30°
234742 Caster S35004S/ENT5600/16W/97/A45	Ø106x163x150mm±1mm	ENT5600	1385	16W	87	45°
234743 Caster S35004S/ENT5600/16W/97/A60	Ø106x163x150mm±1mm	ENT5600	1385	16W	87	60°
234744 Caster S35034 /ENT5600/16W/97/A90	Ø106x163x150mm±1mm	ENT5600	1385	16W	87	90°
234745 Caster S35004S/ENT5600/21W/97/A15	Ø106x163x150mm±1mm	ENT5600	1825	21W	87	15°

SKU SPECIFICATIONS

Product Code	Dimensions (mm)	CCT (K)	Lumens (lm)	Power (W)	Eff. (lm/watt)	Lens Angle (°)
CRI 97						
234746 Caster S35004S/ENT5600/21W/97/A30	Ø106x163x150mm±1mm	ENT5600	1825	21W	87	30°
234747 Caster S35004S/ENT5600/21W/97/A45	Ø106x163x150mm±1mm	ENT5600	1825	21W	87	45°
234748 Caster S35004S/ENT5600/21W/97/A60	Ø106x163x150mm±1mm	ENT5600	1825	21W	87	60°
234749 Caster S35034 /ENT5600/21W/97/A90	Ø106x163x150mm±1mm	ENT5600	1825	21W	87	90°
234750 Caster S35004S/ENT5600/27W/97/A15	Ø106x163x150mm±1mm	ENT5600	2310	27W	86	15°
234751 Caster S35004S/ENT5600/27W/97/A30	Ø106x163x150mm±1mm	ENT5600	2310	27W	86	30°
234752 Caster S35004S/ENT5600/27W/97/A45	Ø106x163x150mm±1mm	ENT5600	2310	27W	86	45°
234753 Caster S35004S/ENT5600/27W/97/A60	Ø106x163x150mm±1mm	ENT5600	2310	27W	86	60°
234754 Caster S35034 /ENT5600/27W/97/A90	Ø106x163x150mm±1mm	ENT5600	2310	27W	86	90°
234755 Caster S35004S/ENT5600/32W/97/A15	Ø106x163x150mm±1mm	ENT5600	2670	32W	84	15°
234756 Caster S35004S/ENT5600/32W/97/A30	Ø106x163x150mm±1mm	ENT5600	2670	32W	84	30°
234757 Caster S35004S/ENT5600/32W/97/A45	Ø106x163x150mm±1mm	ENT5600	2670	32W	84	45°
234758 Caster S35004S/ENT5600/32W/97/A60	Ø106x163x150mm±1mm	ENT5600	2670	32W	84	60°
234759 Caster S35034 /ENT5600/32W/97/A90	Ø106x163x150mm±1mm	ENT5600	2670	32W	84	90°
CRI 98						
234437 Caster S35004S/ART3000/27W/98/A15	Ø106x163x150mm±1mm	ART3000	1995	27W	74	15°
234438 Caster S35004S/ART3000/27W/98/A30	Ø106x163x150mm±1mm	ART3000	1995	27W	74	30°
234439 Caster S35004S/ART3000/27W/98/A45	Ø106x163x150mm±1mm	ART3000	1995	27W	74	45°
234441 Caster S35004S/ART3000/35W/98/A15	Ø106x163x150mm±1mm	ART3000	2425	35W	70	15°
234442 Caster S35004S/ART3000/35W/98/A30	Ø106x163x150mm±1mm	ART3000	2425	35W	70	30°
234443 Caster S35004S/ART3000/35W/98/A45	Ø106x163x150mm±1mm	ART3000	2425	35W	70	45°
234445 Caster S35004S/ART3000/42W/98/A15	Ø106x163x150mm±1mm	ART3000	2755	42W	66	15°
234446 Caster S35004S/ART3000/42W/98/A30	Ø106x163x150mm±1mm	ART3000	2755	42W	66	30°
234447 Caster S35004S/ART3000/42W/98/A45	Ø106x163x150mm±1mm	ART3000	2755	42W	66	45°