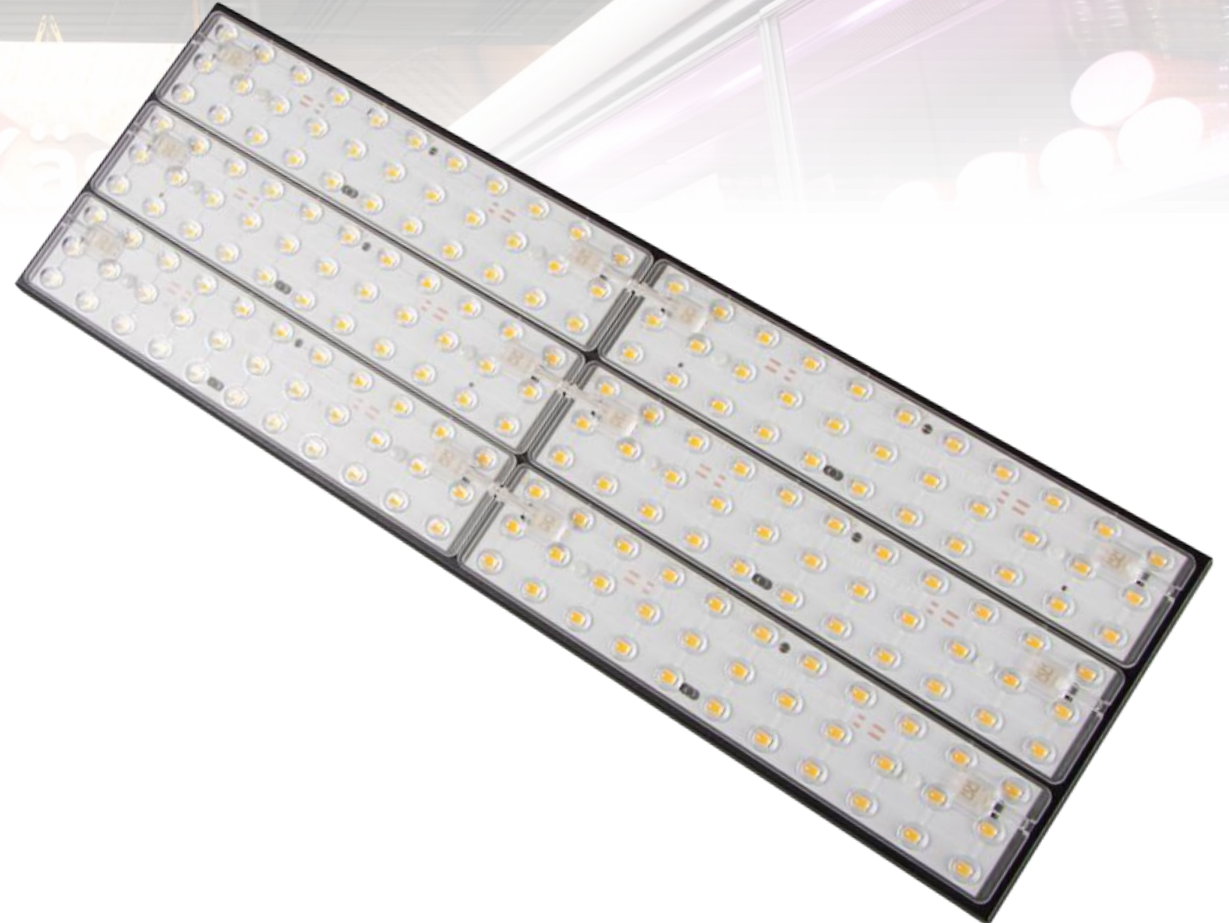




**GREENTEK**  
LIGHTING

# GALAXY SLIM TRK

First-class general lighting  
quality and extra-slim design



# Contents

- Product description
- Technical specifications
- Track mounted | Highly-adjustable and flexible
- Available dimensions | Modular concept
- Light distribution
- Track mounting options
- Aisle configuration

# Product description



- An ultra-flat housing luminaire suitable for grocery stores, supermarkets and DIY stores.
- Available in different module combinations, with different lengths and types of optics - for a general lighting that amazes through its impressive efficiency and lighting quality.
- It can be suspended or track mounted, depending on the ceiling height, the module combination and the need for a more specific light beam.

# Technical specifications

## Galaxy Slim TRK 3R2

Parameter	Value
Power	37 W*
Luminous flux	5.920 lm @3000K
Efficiency	162 lm/W @3000K
Lumen maintenance	L90/B10 @50,000h
Color rendering index	80
Optics	Individual Lens
Housing material	Steel sheet & Polycarbonate
Housing color	Anodised grey

\* Also available with 28W, 49W, 60W, 70W

# Technical specifications

## Galaxy Slim TRK 3R4

Parameter	Value
Power	102 W*
Luminous flux	16,435 lm @4000K; 16,365 lm@4000K
Efficiency	162 lm/W @4000K
Lumen maintenance	L90/B10 @50,000h
Color rendering index	80
Optics	Individual Lens
Housing material	Steel sheet & Polycarbonate
Housing color	Anodised grey

\* Also available with 77W, 87W, 117W, 139W

# Track mounted | Numerous benefits

## HIGHLY ADJUSTABLE

Galaxy Slim 3R2 is adjustable up to 350 degrees on a horizontal plan

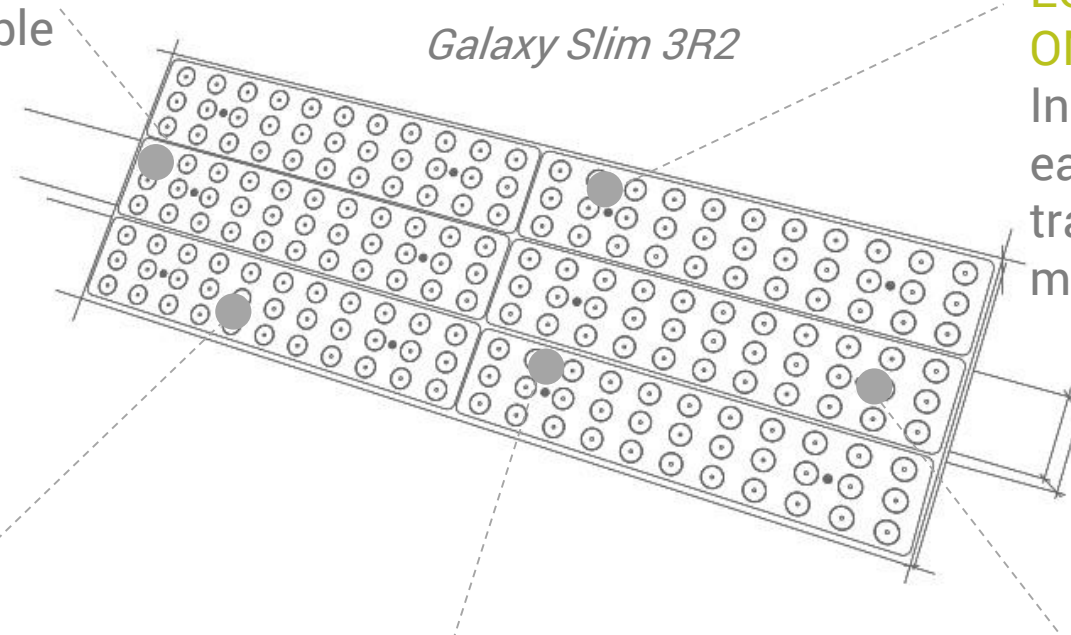
## ULTRA FLAT HOUSING

Housing of track luminaire measures only 11 mm

## HIGHLY EFFICIENT

162 lm/W @3000K\*

*\*Efficiency: 162lm/W @ 37 W. 3000K*



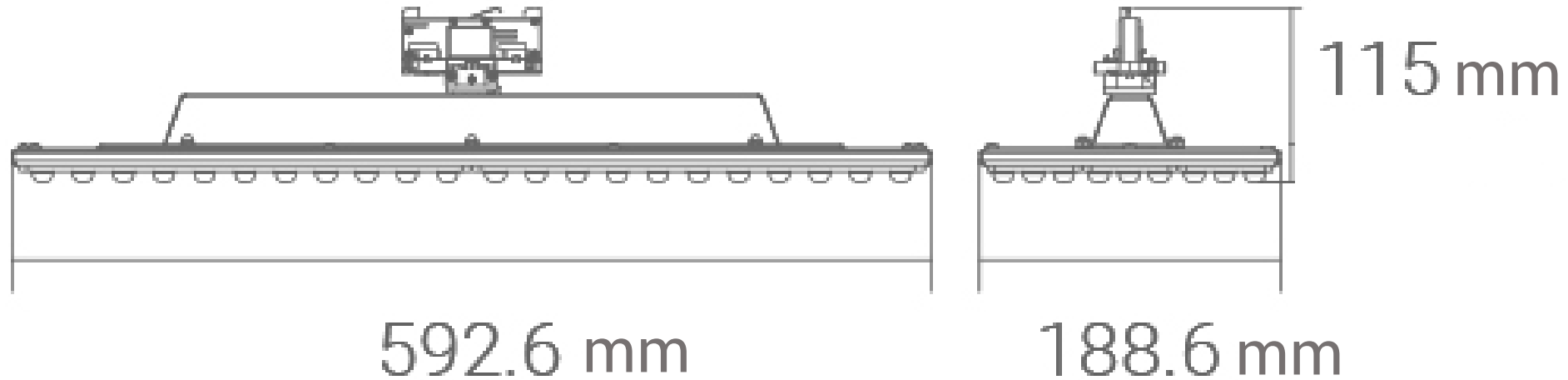
## ECONOMICAL: REQUIRES ONE SOCKET PER TRACK

Instead of multiple ones for each luminaire (in the case of traditional suspended-mounted ones).

## HIGHLY FLEXIBLE

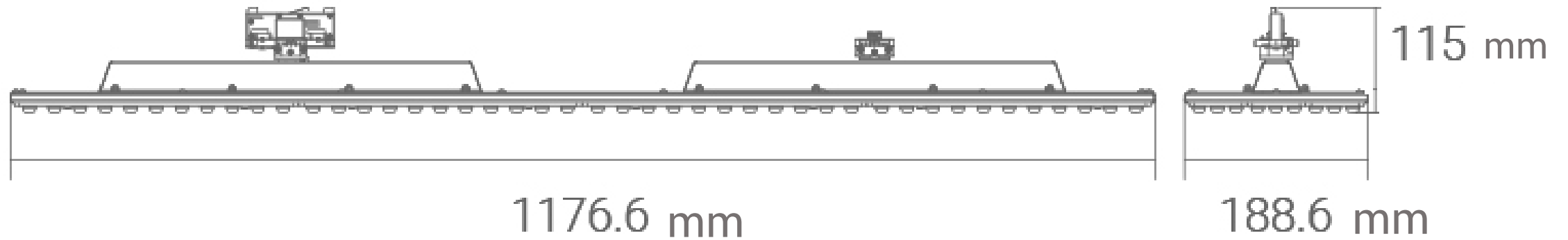
Galaxy Slim TRK can be moved or replaced easily according to the rearranging of display shelves.

# Dimensions | Modular concept



- Galaxy Slim TRK 3R2 Three-module luminaire - 60 cm length

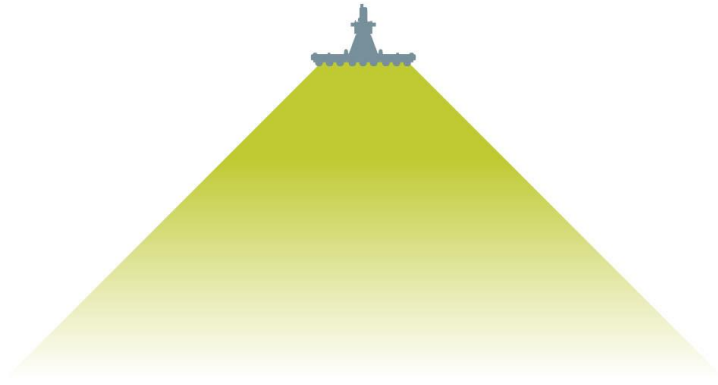
# Dimensions | Modular concept



- Galaxy Slim TRK 3R4 Three-module luminaire - 120 cm length



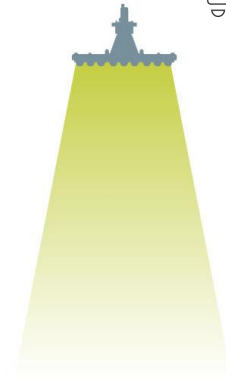
# Light distribution



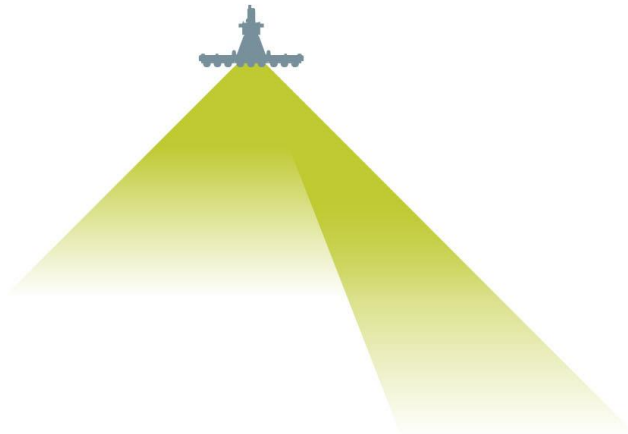
**A3WB**



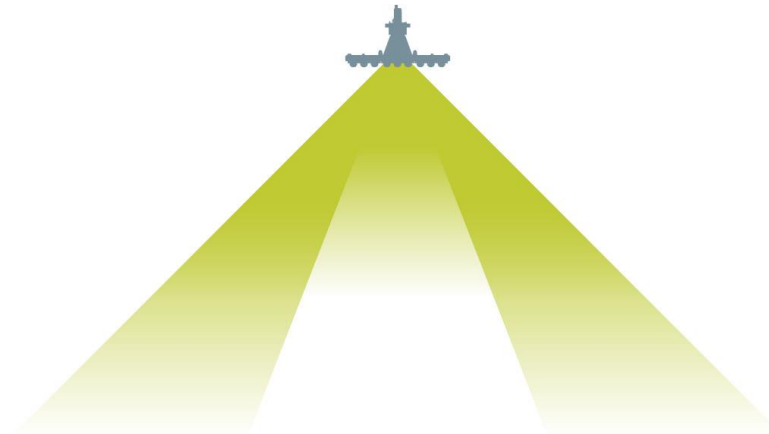
**A3NB**



**A3TB**



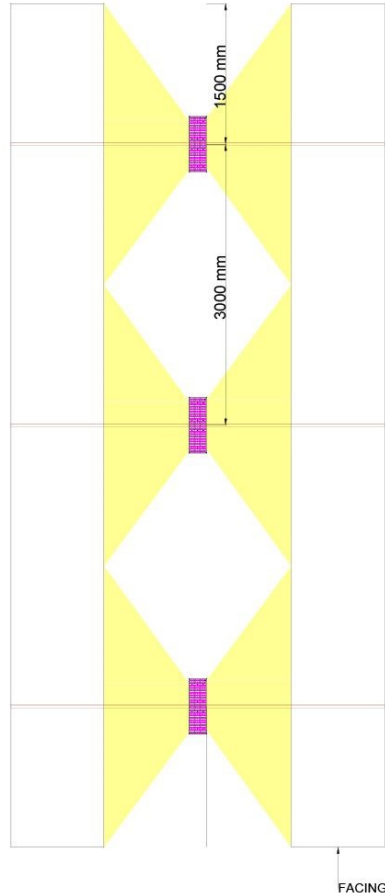
**A3SA**



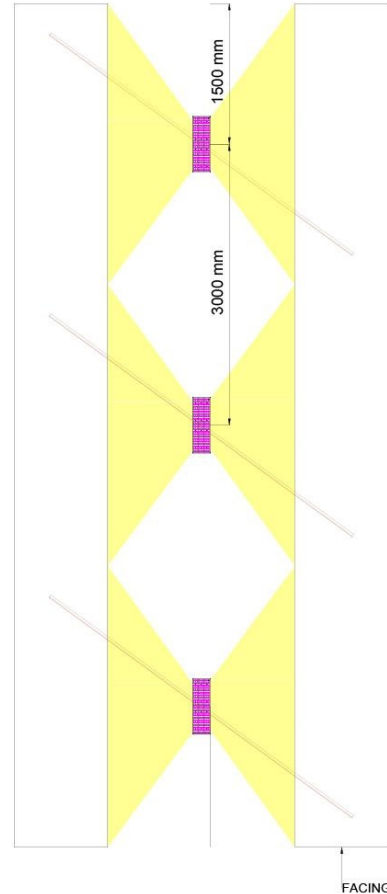
**A3DA**

CONFIGURATION : 5.920 LUMENS

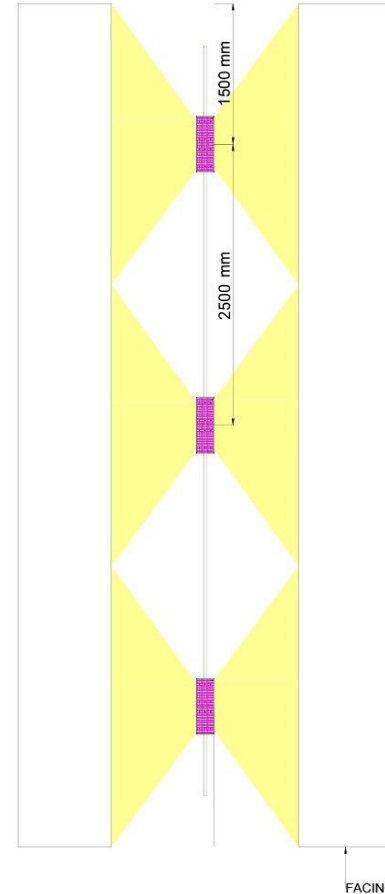
# Track mounting options



Tracks at 90  
degrees to facing



Tracks at 45  
degrees to facing

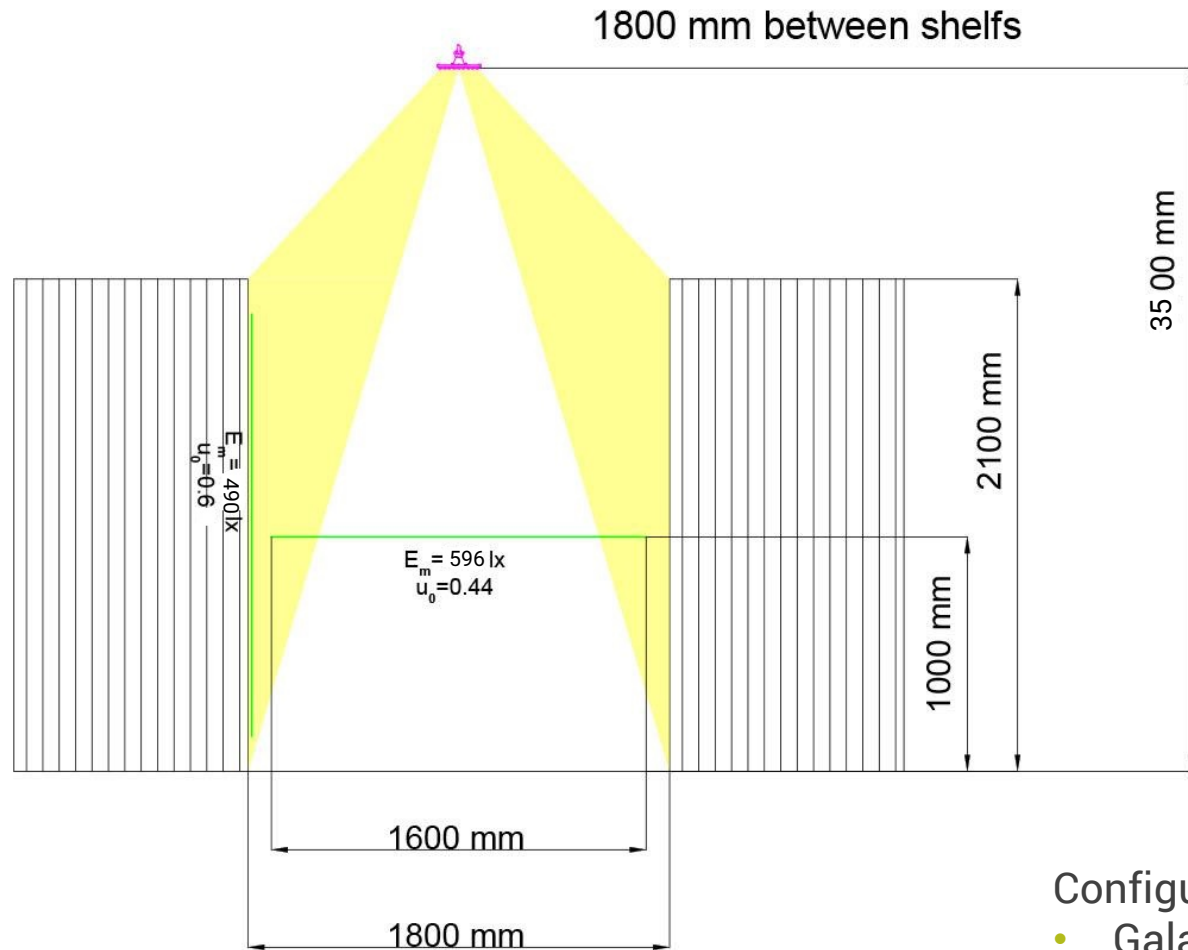


Tracks parallel  
to facing

Galaxy Slim can be mounted in a variety of ways, so that it accommodates any display shelving layout and any track layout.

This high flexibility also takes into account and helps with future changes to shelves layout. Luminaires just have to be rotated, without specialized help.

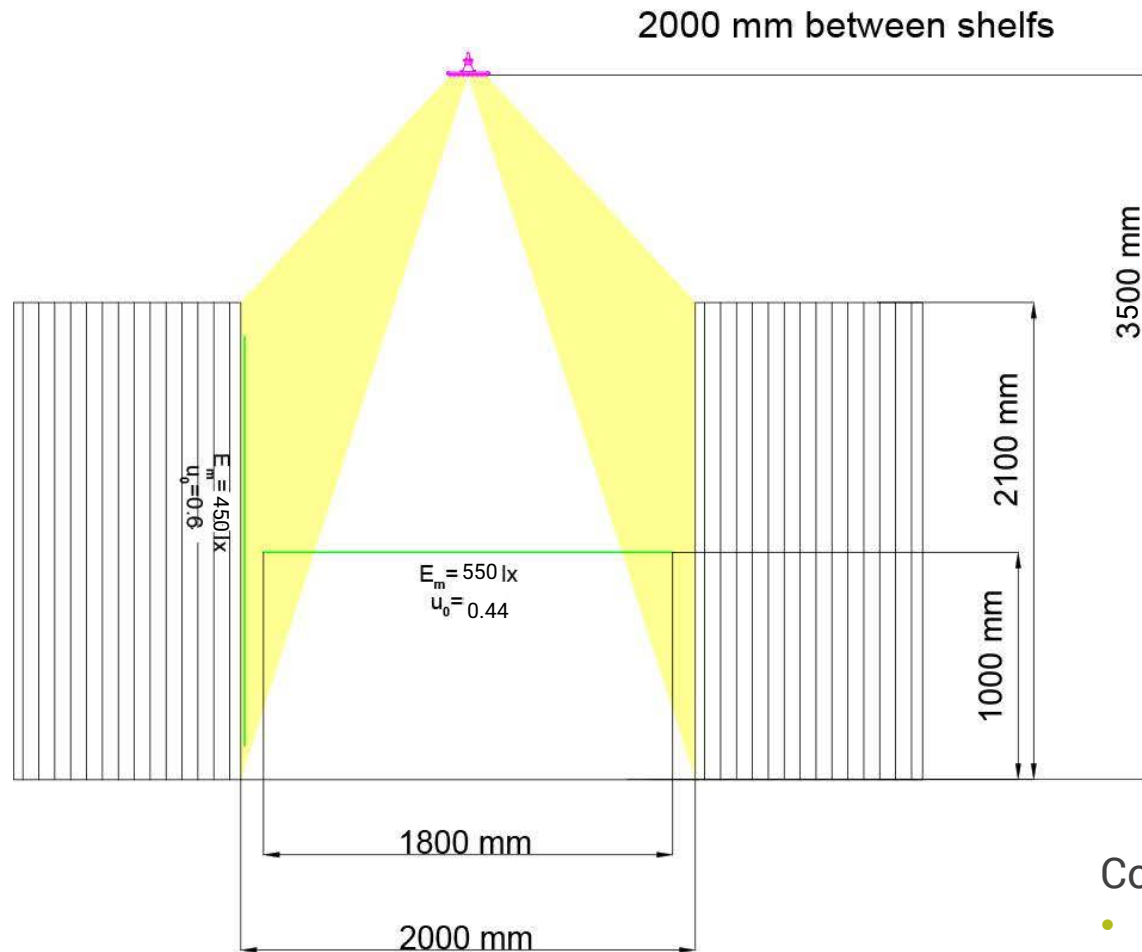
# Aisle configuration– V1



## Configuration:

- Galaxy Slim TRK 3R2– 5,920 lumens, 37W
- 0,72 maintenance factor

# Aisle configuration– V2



Configuration:

- Galaxy Slim TRK 3R2– 5,920 lumens, 37W
- 0,72 maintenance factor



**GREENTEK**

LIGHTING

We hope you found this presentation  
enlightening!

[www.greentek.eu](http://www.greentek.eu)