

CRE CML

SHELF LUMINAIRES | TEC SERIES

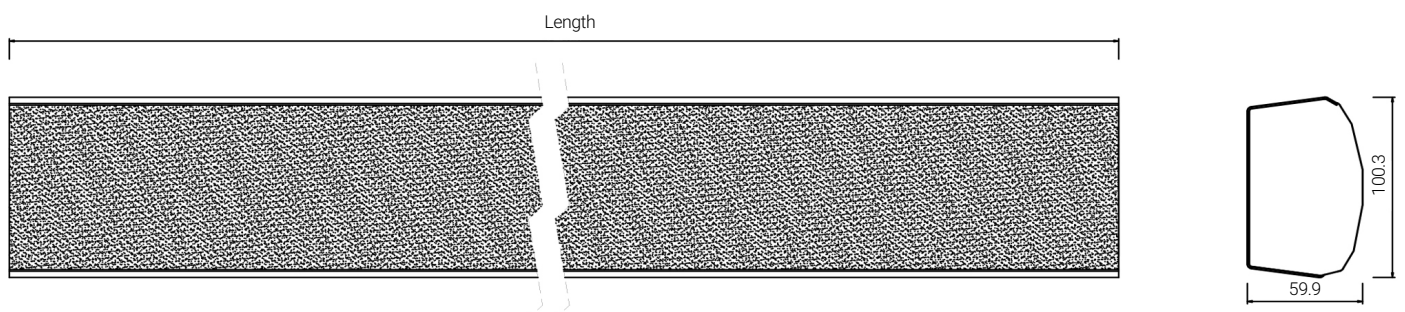
CRE is a customized luminaire that successfully replaces the typical fluorescent tubes lining the shelves in supermarkets and other retail applications such as DIYs and electronic shops. CRE is mounted on the outside part of the shelf and illuminates the opposite shelf. Its long shape makes it suitable for any type of cabinet, display case or shelf

FEATURES & BENEFITS

- CRI 80 as standard
- 4 color temperatures: 3000K, 4000K
- Long rated life: L90/B10@50.000h
- Luminaire efficiency: 106 lm/w @4000K

APPLICATION

Grocery & Supermarket | Retail | DIY



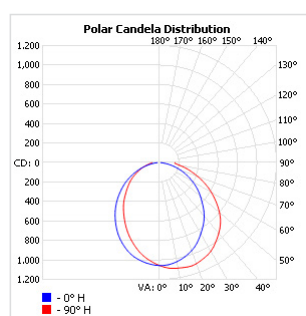
SPECIFICATIONS

Power consumption	30W	45W	60W
Dimensions	1200 x 100.3 x 59.9 ± 1mm	1758 x 100.3 x 59.9 ± 1mm	2458 x 100.3 x 59.9 ± 1mm
Weight	3.0Kg	4.4Kg	6.1Kg
Housing materials	Steel & Polycarbonate		
IK code	IK04		
THD (at 230V, 50Hz, Full load)	<8%		
Protection class	Safety class 1		
Operating temperature [°C]	-20 ... +45 °C / -4F ... +113F		
Operating humidity [%]	10 ÷ 85		
Power factor	≥0.95		
AC Input [Vac]	220 - 240 VAC		
Lens angle [°]	Asymmetric		
Lifespan [h]	50,000		
Housing color	● Grey		
Lumen maintenance	L90/B10@50.000h at 25°C		
IP factor	IP20		
Control optional	-		
Warranty [years]	5		
Storage temperature range [°C]	-20...+55°C / -4F ... +131F		
Emergency option	-		

Light application	Standard
CRI	CRI 80
CCT [K]	3000K/4000K
MacAdam	4

CRI - Color rendering, CCT - Color temperature, MacAdam - Color consistency

LIGHT DISTRIBUTION



Asymmetric

RISK GROUP**RG1**

The evaluation of photobiological safety is carried out according to the standard IEC 62471:2008 ("Photobiological safety of lamps and lamp systems"). Following the definition of the risk grouping system of the mentioned IEC standard, the LEDs mounted on this family fall into the class "Low Risk (RG1 – No photobiological hazard under normal behavioral limitations)". Under real circumstances (regarding exposure time, pupils, observation distance), it is assumed that there is no endangerment to the eye from these devices. As a matter of principle, however, it should be mentioned that intense light sources have a high secondary exposure potential due to their blinding effect.

TOLERANCES

Luminous flux tolerances: -/+ 5%

Consumption tolerance: -/+ 5% for TEC | -/+ 10% for TEC & KIT EM | -/+ 10% for ECO-DALI | -/+ 15% for ECO-DALI & KIT EM

BATTERY WARRANTY

TEC EM & ECO EM: 12 months warranty

TEC & ECO: -

MAXIMUM NO. OF LUMINAIRES ON A CIRCUIT

Power	Driver type	Control type	Circuit Breaker Type						
			Amperage	B			C		
				20	16	10	20	16	10
< 50W		TEC		37	30	18	62	51	31
≥ 50W		TEC		37	30	18	62	51	31
< 80W		ECO		27	21	13	45	35	21

SKU SPECIFICATIONS

Product Code	Dimensions (mm)	CCT (K)	Lumens (lm)	Power (W)	Eff. (lm/watt)	Lens Angle (°)
CRI 80						
CRE CML GT1 /120/PC/3000/30W/LR	1200 x 100.3 x 59.9 ± 1mm	3000	3030	30W	101	Asymmetric
CRE CML GT1 /120/PC/3000/30W/CP	1200 x 100.3 x 59.9 ± 1mm	3000	3030	30W	101	Asymmetric
CRE CML GT1 /120/PC/4000/30W/CP	1200 x 100.3 x 59.9 ± 1mm	4000	3160	30W	106	Asymmetric
CRE CML GT1 /180/PC/3000/45W/LR	1758 x 100.3 x 59.9 ± 1mm	3000	4500	45W	100	Asymmetric
CRE CML GT1 /180/PC/3000/45W/CP	1758 x 100.3 x 59.9 ± 1mm	3000	4500	45W	100	Asymmetric
CRE CML GT1 /180/PC/4000/45W/CP	1758 x 100.3 x 59.9 ± 1mm	4000	4695	45W	105	Asymmetric
CRE CML GT1 /250/PC/3000/60W/LR	2458 x 100.3 x 59.9 ± 1mm	3000	6000	60W	100	Asymmetric
CRE CML GT1 /250/PC/3000/60W/CP	2458 x 100.3 x 59.9 ± 1mm	3000	6000	60W	100	Asymmetric
CRE CML GT1 /250/PC/4000/60W/CP	2458 x 100.3 x 59.9 ± 1mm	4000	6260	60W	105	Asymmetric
CRE CML GT2 /250/PC/3000/56W/LR	2458 x 100.3 x 59.9 ± 1mm	3000	5770	56W	104	Asymmetric
CRE CML GT2 /250/PC/3000/56W/CP	2458 x 100.3 x 59.9 ± 1mm	3000	5770	56W	104	Asymmetric
CRE CML GT2 /250/PC/4000/56W/CP	2458 x 100.3 x 59.9 ± 1mm	4000	6020	56W	108	Asymmetric