



## Accessories

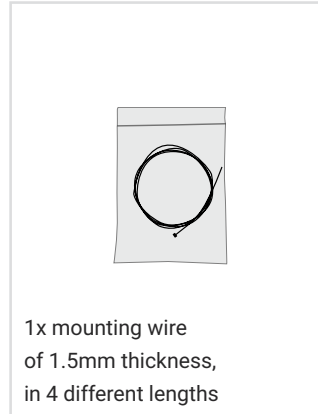
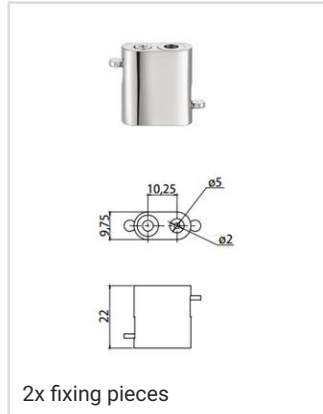
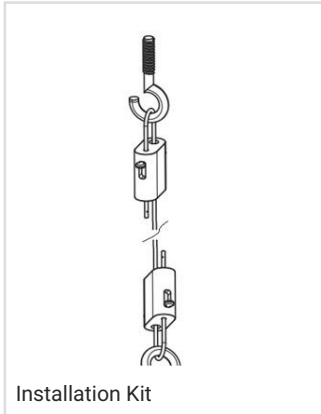
---

**BAYLOR**

**Article Number**

---

1021 GT1 Bay/WM/3m  
1022 GT1 Bay/WM/5m  
1023 GT1 Bay/WM/7m  
1024 GT1 Bay/WM/10m



The kit does not require tools for snap fitting - locking / unlocking is done by acting on the side rods - this principle will also be used to fine-tune the mounting height to the desired value.

**The hook is not included!**

---