



Linera 1

RECESSED DOWNLIGHTS | NON-DALI SERIES

Linera 1 is our recessed linear solution suitable for precise accent lighting. Linera 1 is specially designed for modern stores, showrooms, and art galleries that need to be free of a visible light source. Mounting is easy to perform, without tools, using torsion springs.

Linera 1 has particular technical specifications, determined by various add-on and controls:

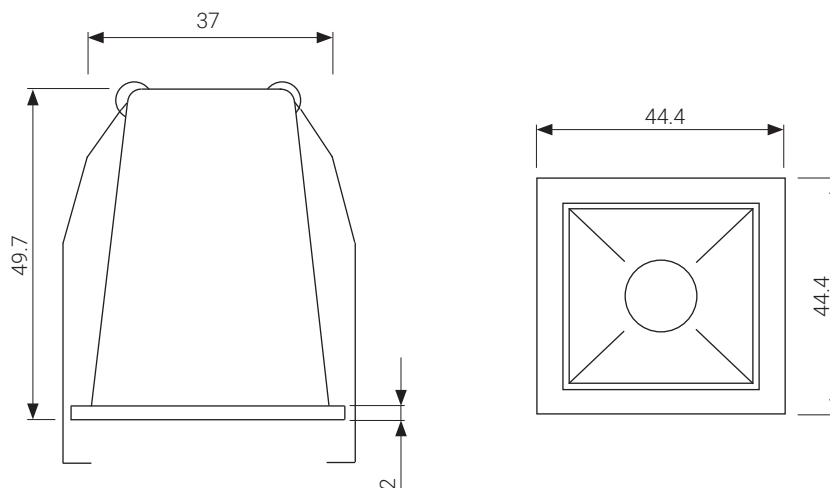
- Linera 1 Non-DALI – the standard for retail spaces
- Linera 1 DALI – with DALI controls for illumination adjustments

FEATURES & BENEFITS

- CRI 90
- 4 color temperatures: 2700K, 3000K, 3500K, 4000K
- Great variety of optics: 15°, 30°, 45°
- Luminaire efficiency: 165lm@4000K

APPLICATION

Grocery & Supermarkets | Retail | Office | Healthcare | Hospitality | DIY



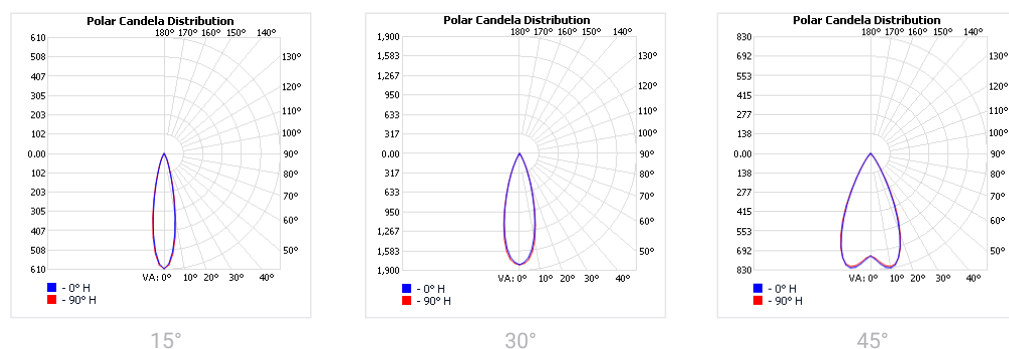
SPECIFICATIONS

Power consumption	3W
Dimensions	49.7 x 44 x 44 ± 1mm
Weight	0.125 Kg
Housing materials	Aluminium, Polycarbonate
IK code	IK02
THD	≤45%
Protection class	Safety class 2
Operating temperature [°C]	-20°C ... +45°C / -4F ... +113F
Operating humidity [%]	10 ÷ 85
Power factor	0.85
AC Input [Vac]	220 - 240 VAC
Lens angle [°]	15°, 30°, 45°
Lifespan [h]	50,000
Housing color	○ RAL 9003 - Signal White, ● RAL 9005 - Jet Black
Lumen maintenance	L90/B10@50,000h at 25°C
IP factor	IP20
Control optional	-
Warranty [years]	5
Storage temperature range [°C]	-10°C ... +55°C / +14F ... +131F
Emergency option	-

#	Standard
CRI	CRI90
CCT [K]	2700 / 3000 / 3500 / 4000
MacAdam	3

CRI - Color rendering, CCT - Color temperature, MacAdam - Color consistency

LIGHT DISTRIBUTION



TOLERANCES

Luminous flux tolerances: -/+ 5%

Consumption tolerance: -/+ 5% for Non-DALI | -/+ 10% for Non-DALI & KIT EM | -/+ 10% for DALI | -/+ 15% for DALI & KIT EM

BATTERY WARRANTY

Non-DALI EM & DALI EM: 12 months warranty

Non-DALI & DALI: -

MAXIMUM NO. OF LUMINAIRES ON A CIRCUIT

Luminaire Power(W)	Control type	Circuit Breaker Type
		B
		16
3W	Non-DALI	27
3W	DALI	50

RISK GROUP

Standard (CRI80)	RG1
FOOD (BVF, FBS, FSM)	RG1
FOOD ≤35W (FZM, FSH)	RG1
FOOD >35W (FZM, FSH)	RG2
FAS	RG1
AMB2200	RG1
ART	RG1
AGI	RG1
CRI90	RG1
CRI95	RG1
ENT	RG1

RG1

The evaluation of photobiological safety is carried out according to the standard IEC 62471:2008 ("Photobiological safety of lamps and lamp systems"). Following the definition of the risk grouping system of the mentioned IEC standard, the LEDs mounted on this family fall into the class "Low Risk (RG1 – No photobiological hazard under normal behavioral limitations)". Under real circumstances (regarding exposure time, pupils, observation distance), it is assumed that there is no endangerment to the eye from these devices. As a matter of principle, however, it should be mentioned that intense light sources have a high secondary exposure potential due to their blinding effect.

RG2

The evaluation of photobiological safety is carried out according to the standard IEC 62471:2008 ("Photobiological safety of lamps and lamp systems"). Following the definition of the risk grouping system of the mentioned IEC standard, the LEDs mounted on this family fall into the class "Moderate Risk (RG2)". Under real circumstances (regarding exposure time, pupils, observation distance), it is assumed that there is no endangerment to the eye from these devices. As a matter of principle, however, it should be mentioned that intense light sources have a high secondary exposure potential due to their blinding effect.

SKU SPECIFICATIONS

Product Code	Dimensions (mm)	CCT (K)	Lumens (lm)	Power (W)	Eff. (lm/watt)	Lens Angle (°)
CRI 90						
188600 Linera1 S3-4833/3000/3W/90/A15/B	49.7 x 44 x 44 ± 1mm	3000	120	3W	40	15°
188601 Linera1 S3-4833/4000/3W/90/A15/B	49.7 x 44 x 44 ± 1mm	4000	165	3W	55	15°
188602 Linera1 S3-4833/3000/3W/90/A30/B	49.7 x 44 x 44 ± 1mm	3000	120	3W	40	30°
188603 Linera1 S3-4833/4000/3W/90/A30/B	49.7 x 44 x 44 ± 1mm	4000	165	3W	55	30°
188604 Linera1 S3-4833/3000/3W/90/A45/B	49.7 x 44 x 44 ± 1mm	3000	120	3W	40	45°
188605 Linera1 S3-4833/4000/3W/90/A45/B	49.7 x 44 x 44 ± 1mm	4000	165	3W	55	45°
188606 Linera1 S3-4833/3000/3W/90/A15/W	49.7 x 44 x 44 ± 1mm	3000	120	3W	40	15°
188607 Linera1 S3-4833/4000/3W/90/A15/W	49.7 x 44 x 44 ± 1mm	4000	165	3W	55	15°
188608 Linera1 S3-4833/3000/3W/90/A30/W	49.7 x 44 x 44 ± 1mm	3000	120	3W	40	30°
188609 Linera1 S3-4833/4000/3W/90/A30/W	49.7 x 44 x 44 ± 1mm	4000	165	3W	55	30°
188610 Linera1 S3-4833/3000/3W/90/A45/W	49.7 x 44 x 44 ± 1mm	3000	120	3W	40	45°
188611 Linera1 S3-4833/4000/3W/90/A45/W	49.7 x 44 x 44 ± 1mm	4000	165	3W	55	45°
188612 Linera1 S3-4833/2700/3W/90/A15/B	49.7 x 44 x 44 ± 1mm	2700	110	3W	37	15°
188613 Linera1 S3-4833/3500/3W/90/A15/B	49.7 x 44 x 44 ± 1mm	3500	145	3W	48	15°
188614 Linera1 S3-4833/2700/3W/90/A30/B	49.7 x 44 x 44 ± 1mm	2700	110	3W	37	30°
188615 Linera1 S3-4833/3500/3W/90/A30/B	49.7 x 44 x 44 ± 1mm	3500	145	3W	48	30°
188616 Linera1 S3-4833/2700/3W/90/A45/B	49.7 x 44 x 44 ± 1mm	2700	110	3W	37	45°
188617 Linera1 S3-4833/3500/3W/90/A45/B	49.7 x 44 x 44 ± 1mm	3500	145	3W	48	45°
188618 Linera1 S3-4833/2700/3W/90/A15/W	49.7 x 44 x 44 ± 1mm	2700	110	3W	37	15°
188619 Linera1 S3-4833/3500/3W/90/A15/W	49.7 x 44 x 44 ± 1mm	3500	145	3W	48	15°
188620 Linera1 S3-4833/2700/3W/90/A30/W	49.7 x 44 x 44 ± 1mm	2700	110	3W	37	30°
188621 Linera1 S3-4833/3500/3W/90/A30/W	49.7 x 44 x 44 ± 1mm	3500	145	3W	48	30°
188622 Linera1 S3-4833/2700/3W/90/A45/W	49.7 x 44 x 44 ± 1mm	2700	110	3W	37	45°
188623 Linera1 S3-4833/3500/3W/90/A45/W	49.7 x 44 x 44 ± 1mm	3500	145	3W	48	45°

Technical specifications can be modified without prior notice. All information is property of Greentek Lighting.
 The presentation picture is for information purposes only. Latest document update: February 25, 2025 2:13 PM. www.greentek.eu