



Mezza

SURFACE MOUNTED LUMINAIRES | NON-DALI SERIES

Mezza is a filiform, modern and stylish surface mounted luminaire, with impeccable finish.

The light line enable you to create the right light effect for a refined atmosphere.

This wall lamp will bring you soft light and create a friendly atmosphere as desired. The light segment can be rotated individually.

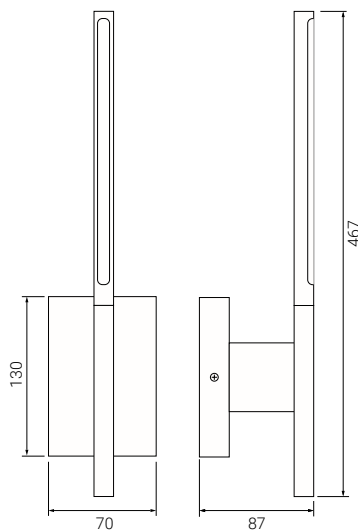
- Mezza Non-DALI – the standard for any project in the retail sector

Features & Benefits

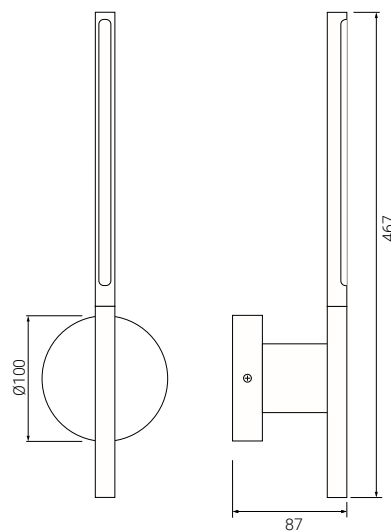
- CRI 80 as standard
- Color temperatures: 2700K, 3000K, 4000K, 6500K
- Long rated life: L70/B10@50.000h
- Luminaire efficiency: 55 lm/W
- The light-emitting body has the possibility to rotate

Applications

High End Grocery & Supermarkets | Fashion Retailers | Hospitality | Art & Exhibitions



Rectangular Base



Round Base

Specifications

Power consumption	6W	
Dimensions (Base)	L130 x l70mm ± 1mm	Ø100mm ± 1mm
Dimensions (Lenght)	L476mm ± 1mm	L476mm ± 1mm
Housing materials	Aluminium, Acrylic	
IK code	IK03	
Protection class	Safety class 1	
Operating temperature [°C]	20C...+50C / 68F...+122F	
Operating humidity [%]	10 ÷ 90	
AC Input [Vac]	220 - 240 VAC	
Lens angle [°]	120°	
Lifespan [h]	● 50.000	
Housing color	Black	
Lumen maintenance	L70/B10@50.000h at 25°C	
IP factor	IP20	
Control optional	-	
Warranty [years]	5	
Storage temperature range [°C]	0C...+40C / 32F...+104F	
Emergency option	-	
Light application#	Standard	
CRI	CRI80	
CCT [K]	2700 / 3000 / 4000 / 6500	
MacAdam	3	

CRI - Color rendering, CCT - Color temperature, MacAdam - Color consistency

RISK GROUP

Standard (CRI80)	RG1	RG1 The evaluation of photobiological safety is carried out according to the standard IEC 62471:2008 ("Photobiological safety of lamps and lamp systems"). Following the definition of the risk grouping system of the mentioned IEC standard, the LEDs mounted on this family fall into the class "Low Risk (RG1 – No photobiological hazard under normal behavioral limitations)". Under real circumstances (regarding exposure time, pupils, observation distance), it is assumed that there is no endangerment to the eye from these devices. As a matter of principle, however, it should be mentioned that intense light sources have a high secondary exposure potential due to their blinding effect.
FOOD (BVF, FBS, FSM)	RG1	
FOOD ≤35W (FZM, FSH)	RG1	
FOOD >35W (FZM, FSH)	RG2	
FAS	RG1	
AMB2200	RG1	
ART	RG1	RG2 The evaluation of photobiological safety is carried out according to the standard IEC 62471:2008 ("Photobiological safety of lamps and lamp systems"). Following the definition of the risk grouping system of the mentioned IEC standard, the LEDs mounted on this family fall into the class "Moderate Risk (RG2)". Under real circumstances (regarding exposure time, pupils, observation distance), it is assumed that there is no endangerment to the eye from these devices. As a matter of principle, however, it should be mentioned that intense light sources have a high secondary exposure potential due to their blinding effect.
AGI	RG1	
CRI90	RG1	
CRI95	RG1	
ENT	RG1	

SKU SPECIFICATIONS

Product Code	Dimensions (mm)	CCT (K)	Lumens (lm)	Power (W)	Eff. (lm/watt)	Lens Angle (°)
CRI 80						
1G4008 Mezza 1824WA/2700/6W/80/A120	130 x 70 x 476mm ± 1mm	2700	330	6W	55	120°
1G4009 Mezza 1824WA/3000/6W/80/A120	130 x 70 x 476mm ± 1mm	3000	330	6W	55	120°
1G4010 Mezza 1824WA/4000/6W/80/A120	130 x 70 x 476mm ± 1mm	4000	330	6W	55	120°
1G4011 Mezza 1824WA/6500/6W/80/A120	130 x 70 x 476mm ± 1mm	6500	330	6W	55	120°
1G4050 Mezza 1828WA/2700/6W/80/A120	Ø100 x 476mm ± 1mm	2700	330	6W	55	120°
1G4051 Mezza 1828WA/3000/6W/80/A120	Ø100 x 476mm ± 1mm	3000	330	6W	55	120°
1G4052 Mezza 1828WA/4000/6W/80/A120	Ø100 x 476mm ± 1mm	4000	330	6W	55	120°
1G4053 Mezza 1828WA/6500/6W/80/A120	Ø100 x 476mm ± 1mm	6500	330	6W	55	120°