



Stiletto B - 4

SURFACE MOUNTED | NON-DALI SERIES

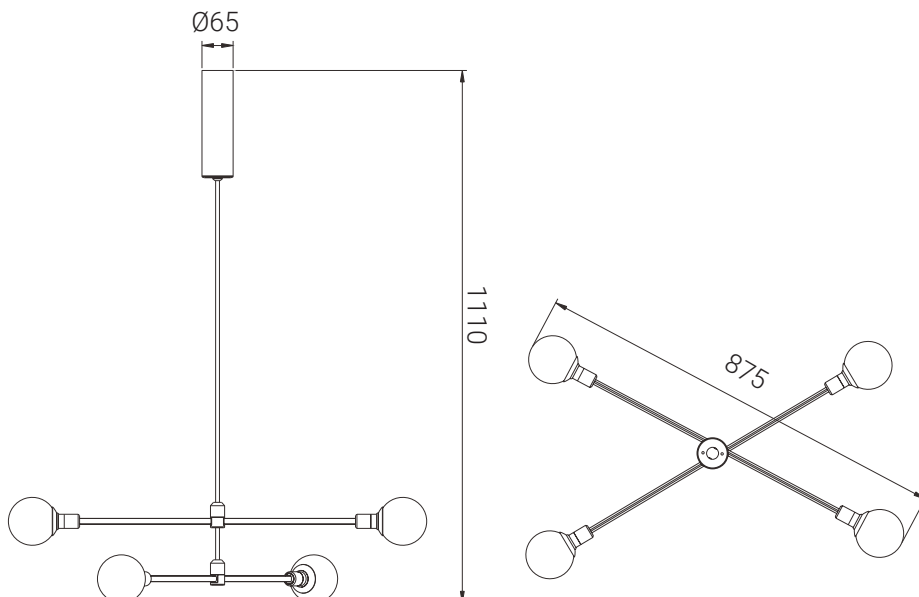
Step into a realm of refined illumination with Stiletto, a collection that combines the allure of golden aesthetics with the precision of LED technology.

FEATURES & BENEFITS

- CRI > 90 as standard
- Color temperatures: 3000K
- Beam angles: 120°
- Luminaire efficiency: 44lm/W @3000K
- Output power: 20W

APPLICATION

High End Grocery & Supermarkets | Fashion Retailers | Art & Exhibitions | DIY



SPECIFICATIONS

Mounting type	Magnetic track mounted luminaires
Power consumption	20W
Dimensions	L875 x Ø65 x H1110 mm ± 1mm
Housing materials	Aluminium, Acrylic
IK code	IK00
Protection class	Safety class 1
Operating temperature [°C]	-20°C ... +40°C / -4F ... +104F
Operating humidity [%]	20 ÷ 90
AC Input [Vac]	220 - 240 VAC (Driver included)
Output [Vdc]	24 VDC
Lens angle [°]	120°
Lifespan [h]	50.000
Housing color	Brass, White ,Black
Lumen maintenance	L70/B30@50.000h at 25°C
IP factor	IP20
Control option	-
Warranty [years]	3
Storage temperature range [°C]	10°C ... +30°C / 50°F ... +86°F

Light application	Standard
CRI	CRI90
CCT [K]	3000K

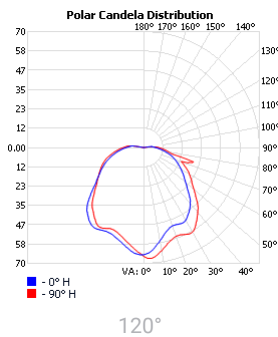
CRI - Color rendering, CCT - Color temperature

TOLERANCES

Luminous flux tolerances: -/+ 5%

Consumption tolerance: -/+ 5% for Non-DALI | -/+ 10% for Non-DALI & KIT EM | -/+ 10% for DALI | -/+ 15% for DALI & KIT EM

LIGHT DISTRIBUTION



SKU SPECIFICATIONS

Product Code	Dimensions (mm)	CCT (K)	Lumens (lm)	Power (W)	Eff. (lm/watt)	Lens Angle (°)
CRI 90						
1F9090 Stiletto B-4/ASSY/20W/90/A120/24V/Brass	L875 x Ø65 x H1110 mm ± 1mm	3000	880	20W	44	120°
1F9091 Stiletto B-4/ASSY/20W/90/A120/24V/White	L875 x Ø65 x H1110 mm ± 1mm	3000	880	20W	44	120°
1F9092 Stiletto B-4/ASSY/20W/90/A120/24V/Black	L875 x Ø65 x H1110 mm ± 1mm	3000	880	20W	44	120°



Stiletto B - 6

SURFACE MOUNTED | NON-DALI SERIES

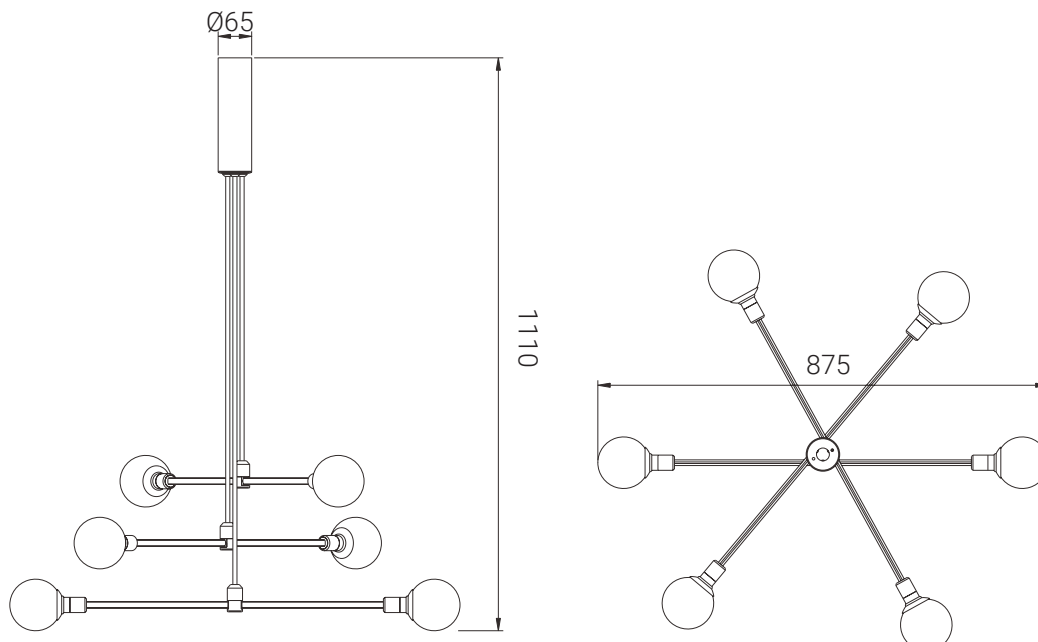
Step into a realm of refined illumination with Stiletto, a collection that combines the allure of golden aesthetics with the precision of LED technology.

FEATURES & BENEFITS

- CRI > 90 as standard
- Color temperatures: 3000K
- Beam angles: 120°
- Luminaire efficiency: 44lm/W @3000K
- Output power: 30W

APPLICATION

High End Grocery & Supermarkets | Fashion Retailers | Art & Exhibitions | DIY



SPECIFICATIONS

Mounting type	Magnetic track mounted luminaires
Power consumption	30W
Dimensions	L875 x Ø65 x H1110 mm ± 1mm
Housing materials	Aluminium, Acrylic
IK code	IK00
Protection class	Safety class 1
Operating temperature [°C]	-20°C ... +40°C / -4F ... +104F
Operating humidity [%]	20 ÷ 90
AC Input [Vac]	220 - 240 VAC (Driver included)
Output [Vdc]	24 VDC
Lens angle [°]	120°
Lifespan [h]	50.000
Housing color	Brass, White ,Black
Lumen maintenance	L70/B30@50.000h at 25°C
IP factor	IP20
Control option	-
Warranty [years]	3
Storage temperature range [°C]	10°C ... +30°C / 50°F ... +86°F

Light application	Standard
CRI	CRI90
CCT [K]	3000K

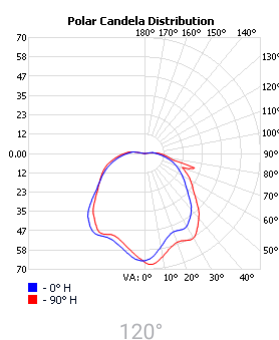
CRI - Color rendering, CCT - Color temperature

TOLERANCES

Luminous flux tolerances: -/+ 5%

Consumption tolerance: -/+ 5% for Non-DALI | -/+ 10% for Non-DALI & KIT EM | -/+ 10% for DALI | -/+ 15% for DALI & KIT EM

LIGHT DISTRIBUTION



SKU SPECIFICATIONS

Product Code	Dimensions (mm)	CCT (K)	Lumens (lm)	Power (W)	Eff. (lm/watt)	Lens Angle (°)
CRI 90						
1F9093 Stiletto B-6/ASSY/30W/90/A120/24V/Brass	L875 x Ø65 x H1110 mm ± 1mm	3000	1320	30W	44	120°
1F9094 Stiletto B-6/ASSY/30W/90/A120/24V/White	L875 x Ø65 x H1110 mm ± 1mm	3000	1320	30W	44	120°
1F9095 Stiletto B-6/ASSY/30W/90/A120/24V/Black	L875 x Ø65 x H1110 mm ± 1mm	3000	1320	30W	44	120°



Stiletto B - 8

SURFACE MOUNTED | NON-DALI SERIES

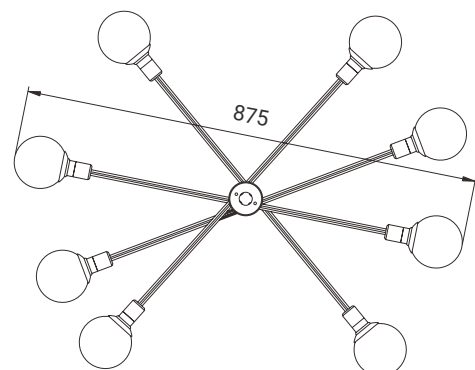
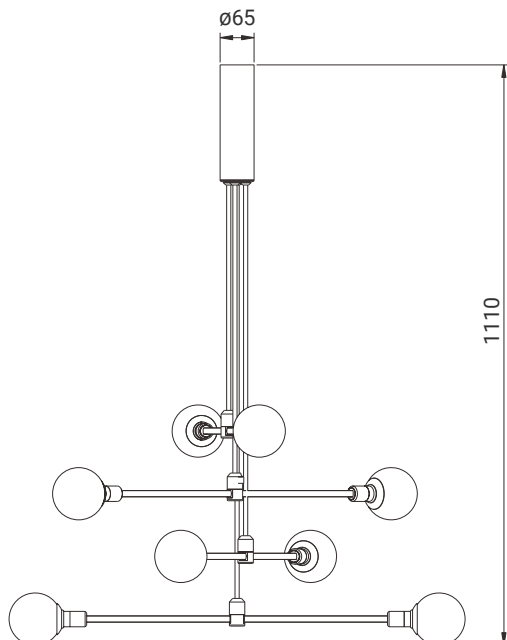
Step into a realm of refined illumination with the Stiletto, a collection that combines the allure of golden aesthetics with the precision of LED technology.

FEATURES & BENEFITS

- CRI > 90 as standard
- Color temperatures: 3000K
- Beam angles: 120°
- Luminaire efficiency: 44lm/W @3000K
- Output power: 8 x 5W

APPLICATION

High End Grocery & Supermarkets | Fashion Retailers | Art & Exhibitions | DIY



SPECIFICATIONS

Power consumption	40W
Dimensions	875 x ø65 x 1110 ± 1
Housing materials	Aluminium, glass
IK code	IK00
Protection class	Safety class 1
Operating temperature [°C]	-20°C ... +40°C / -4F ... +104F
Operating humidity [%]	20 ÷ 90
AC Input [Vac]	220 - 240 VAC (Driver included)
Output [Vdc]	24 VDC
Lens angle [°]	120°
Lifespan [h]	50.000
Housing color	Brass, White ,Black,
Lumen maintenance	L90/B10@50.000h at 25°C
IP factor	IP20
Control optional	-
Warranty [years]	3
Storage temperature range [°C]	-20°C ... +55°C / -4F ... +131F
	-
Light application	Standard
CRI	CRI90
CCT [K]	3000K

CRI - Color rendering, CCT - Color temperature

TOLERANCES

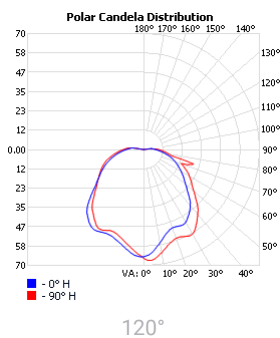
Luminous flux tolerances: -/+ 5%

Consumption tolerance: -/+ 5% for Non-DALI | -/+ 10% for Non-DALI & KIT EM | -/+ 10% for DALI | -/+ 15% for DALI & KIT EM

MAXIMUM NO. OF LUMINAIRES ON A CIRCUIT

Luminaire Power(W)	Control type	Circuit Breaker Type	
		B	C
		16	16
40W	Non-DALI	3	6

LIGHT DISTRIBUTION



SKU SPECIFICATIONS

Product Code	Dimensions (mm)	CCT (K)	Lumens (lm)	Power (W)	Eff. (lm/watt)	Lens Angle (°)
CRI 90						
1F9096 Stiletto B-8/ASSY/40W/90/A120/24V/Brass	W875 x \varnothing 65 x H1110 \pm 1	3000	1745	40W	44	120°
1F9097 Stiletto B-8/ASSY/40W/90/A120/24V/White	W875 x \varnothing 65 x H1110 \pm 1	3000	1745	40W	44	120°
1F9098 Stiletto B-8/ASSY/40W/90/A120/24V/Black	W875 x \varnothing 65 x H1110 \pm 1	3000	1745	40W	44	120°