



Freyn

RECESSED DOWNLIGHTS | NON-DALI SERIES

Freyn is a robust and user-friendly recessed downlight suitable for new installations, as well as for replacing existing installations. It is available in three different colours that can be adapted to any decor.

Due to its IP65 protection rating, the luminaire is effectively safeguarded against the intrusion of water jets, making it the perfect choice for setting up in areas exposed to moisture or outdoor conditions.

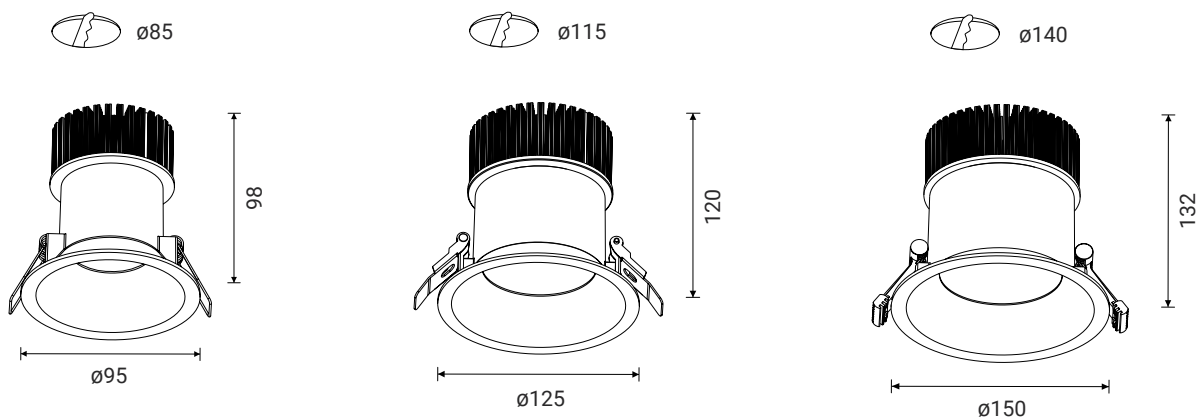
- Freyn Non-DALI – the standard for any project

FEATURES & BENEFITS

- CRI > 80 as standard
- Color temperatures: 2700K, 3000K, 3500K, 4000K
- Beam angles: 12°, 15°, 30°, 45°, 55°
- Luminaire efficiency: 123lm/W @4000K

APPLICATION

Grocery & Supermarkets | Retail | Office | Healthcare | DIY



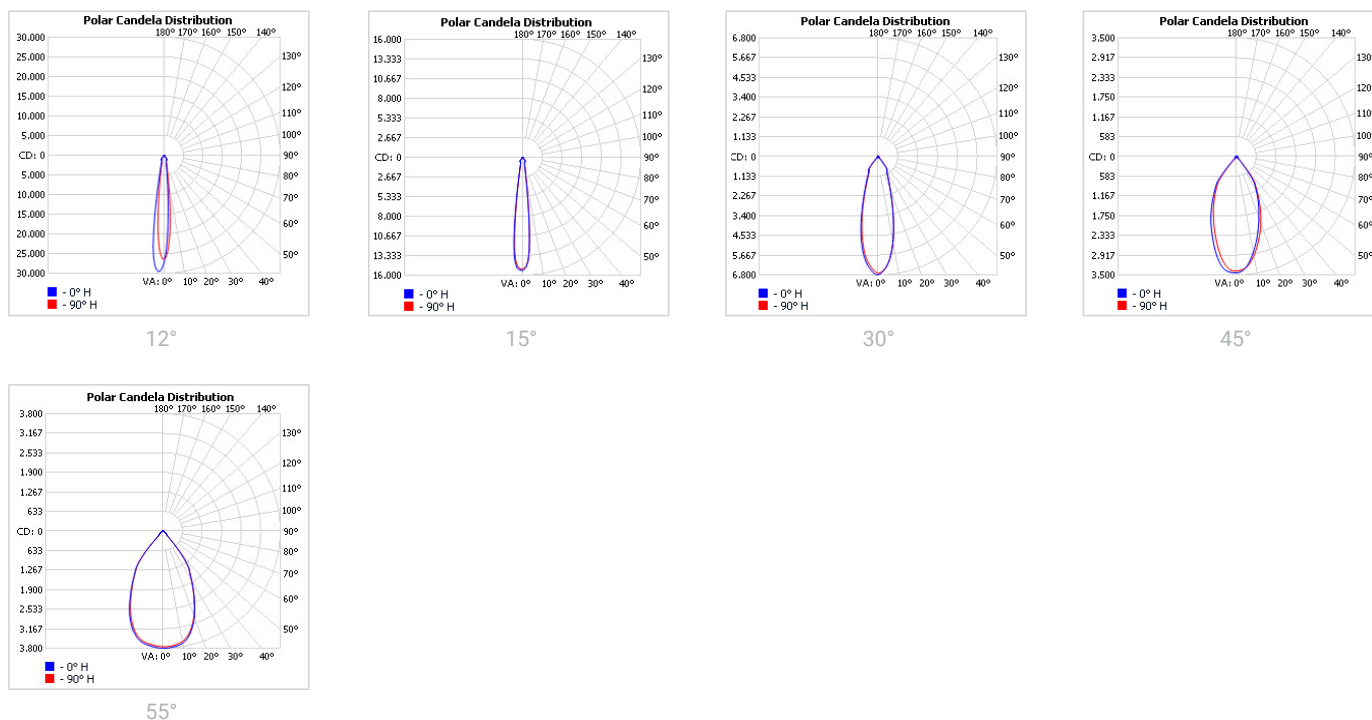
SPECIFICATIONS

Power consumption	7W, 10W, 13W	14W, 20W	14W, 20W, 27W
Dimensions	D95 x H98mm±1mm	D125 x H120mm±1mm	D150 x H132mm±1mm
Weight	0.35 Kg	0.65 Kg	1 Kg
Housing materials	Aluminium, glass		
IK code	IK02		
Protection class	Safety class 1		
Operating temperature [°C]	-20°C ... +45°C / -4F ... +131F		
Operating humidity [%]	10 ÷ 85		
Power factor	0.8		
AC Input [Vac]	220 - 240 VAC		
Lens angle [°]	15°, 30°, 45°	15°, 30°, 45°	12°, 30°, 45°, 55°
Lifespan [h]	50.000		
Housing color	○ RAL 9003 - Signal white, ● RAL 9005 - Jet Black, ● RAL 9006 - White Aluminium		
Lumen maintenance	L90/B10@50.000h at 25°C		
IP factor	IP65 (for case), IP20 (for driver)		
Control optional	-		
Warranty [years]	5		
Storage temperature range [°C]	-20°C ... +55°C / -13F ... +113F		
Emergency option	-		

#	Standard
CRI	CRI80
CCT [K]	2700K / 3000K / 3500K / 4000K
MacAdam	3

CRI - Color rendering, CCT - Color temperature, MacAdam - Color consistency

LIGHT DISTRIBUTION



TOLERANCES

Luminous flux tolerances: -/+ 5%

Consumption tolerance: -/+ 5% for Non-DALI | -/+ 10% for Non-DALI & KIT EM | -/+ 10% for DALI | -/+ 15% for DALI & KIT EM

BATTERY WARRANTY

Non-DALI EM & DALI EM: 12 months warranty

Non-DALI & DALI: -

MAXIMUM NO. OF LUMINAIRES ON A CIRCUIT

Luminaire Power(W)	Control type	Circuit Breaker Type					
		B			C		
		20	16	10	20	16	10
7-13W	Non-DALI	33	27	17	56	45	28
14-27W	Non-DALI	62	50	31	104	85	52

RISK GROUP

RG1

The evaluation of photobiological safety is carried out according to the standard IEC 62471:2008 ("Photobiological safety of lamps and lamp systems"). Following the definition of the risk grouping system of the mentioned IEC standard, the LEDs mounted on this family fall into the class "Low Risk (RG1 – No photobiological hazard under normal behavioral limitations)". Under real circumstances (regarding exposure time, pupils, observation distance), it is assumed that there is no endangerment to the eye from these devices. As a matter of principle, however, it should be mentioned that intense light sources have a high secondary exposure potential due to their blinding effect.

SKU SPECIFICATIONS

Product Code	Dimensions (mm)	CCT (K)	Lumens (lm)	Power (W)	Eff. (lm/watt)	Lens Angle (°)
CRI 80						
1F7000 FreynS D33021/3000/7W/80/A15	D95xH98mmx±1mm	3000	635	7W	91	15°
1F7001 FreynS D33021/4000/7W/80/A15	D95xH98mmx±1mm	4000	665	7W	95	15°
1F7002 FreynS D33021/3000/7W/80/A30	D95xH98mmx±1mm	3000	635	7W	91	30°
1F7003 FreynS D33021/4000/7W/80/A30	D95xH98mmx±1mm	4000	665	7W	95	30°
1F7004 FreynS D33021/3000/7W/80/A45	D95xH98mmx±1mm	3000	635	7W	91	45°
1F7005 FreynS D33021/4000/7W/80/A45	D95xH98mmx±1mm	4000	665	7W	95	45°
1F7006 FreynS D33021/3000/10W/80/A15	D95xH98mmx±1mm	3000	830	10W	83	15°
1F7007 FreynS D33021/4000/10W/80/A15	D95xH98mmx±1mm	4000	875	10W	88	15°
1F7008 FreynS D33021/3000/10W/80/A30	D95xH98mmx±1mm	3000	830	10W	83	30°
1F7009 FreynS D33021/4000/10W/80/A30	D95xH98mmx±1mm	4000	875	10W	88	30°
1F7010 FreynS D33021/3000/10W/80/A45	D95xH98mmx±1mm	3000	830	10W	83	45°
1F7011 FreynS D33021/4000/10W/80/A45	D95xH98mmx±1mm	4000	875	10W	88	45°
1F7012 FreynS D33021/3000/13W/80/A15	D95xH98mmx±1mm	3000	1050	13W	81	15°
1F7013 FreynS D33021/4000/13W/80/A15	D95xH98mmx±1mm	4000	1100	13W	85	15°
1F7014 FreynS D33021/3000/13W/80/A30	D95xH98mmx±1mm	3000	1050	13W	81	30°
1F7015 FreynS D33021/4000/13W/80/A30	D95xH98mmx±1mm	4000	1100	13W	85	30°
1F7016 FreynS D33021/3000/13W/80/A45	D95xH98mmx±1mm	3000	1050	13W	81	45°
1F7017 FreynS D33021/4000/13W/80/A45	D95xH98mmx±1mm	4000	1100	13W	85	45°
1F7018 FreynM D33022/2700/14W/80/A15	D125xH120mm±1mm	2700	1410	14W	101	15°
1F7019 FreynM D33022/3000/14W/80/A15	D125xH120mm±1mm	3000	1510	14W	108	15°
1F7020 FreynM D33022/3500/14W/80/A15	D125xH120mm±1mm	3500	1575	14W	113	15°
1F7021 FreynM D33022/4000/14W/80/A15	D125xH120mm±1mm	4000	1600	14W	115	15°
1F7022 FreynM D33022/2700/14W/80/A30	D125xH120mm±1mm	2700	1410	14W	101	30°
1F7023 FreynM D33022/3000/14W/80/A30	D125xH120mm±1mm	3000	1510	14W	108	30°
1F7024 FreynM D33022/3500/14W/80/A30	D125xH120mm±1mm	3500	1575	14W	113	30°
1F7025 FreynM D33022/4000/14W/80/A30	D125xH120mm±1mm	4000	1600	14W	115	30°
1F7026 FreynM D33022/2700/14W/80/A45	D125xH120mm±1mm	2700	1410	14W	101	45°
1F7027 FreynM D33022/3000/14W/80/A45	D125xH120mm±1mm	3000	1510	14W	108	45°
1F7028 FreynM D33022/3500/14W/80/A45	D125xH120mm±1mm	3500	1575	14W	113	45°
1F7029 FreynM D33022/4000/14W/80/A45	D125xH120mm±1mm	4000	1600	14W	115	45°
1F7030 FreynM D33022/2700/20W/80/A15	D125xH120mm±1mm	2700	2095	20W	105	15°
1F7031 FreynM D33022/3000/20W/80/A15	D125xH120mm±1mm	3000	2240	20W	112	15°
1F7032 FreynM D33022/3500/20W/80/A15	D125xH120mm±1mm	3500	2340	20W	117	15°
1F7033 FreynM D33022/4000/20W/80/A15	D125xH120mm±1mm	4000	2380	20W	119	15°
1F7034 FreynM D33022/2700/20W/80/A30	D125xH120mm±1mm	2700	2095	20W	105	30°
1F7035 FreynM D33022/3000/20W/80/A30	D125xH120mm±1mm	3000	2240	20W	112	30°
1F7036 FreynM D33022/3500/20W/80/A30	D125xH120mm±1mm	3500	2340	20W	117	30°
1F7037 FreynM D33022/4000/20W/80/A30	D125xH120mm±1mm	4000	2380	20W	119	30°
1F7038 FreynM D33022/2700/20W/80/A45	D125xH120mm±1mm	2700	2095	20W	105	45°
1F7039 FreynM D33022/3000/20W/80/A45	D125xH120mm±1mm	3000	2240	20W	112	45°
1F7040 FreynM D33022/3500/20W/80/A45	D125xH120mm±1mm	3500	2340	20W	117	45°
1F7041 FreynM D33022/4000/20W/80/A45	D125xH120mm±1mm	4000	2380	20W	119	45°
1F7042 FreynL D33023/2700/14W/80/A12	D150xH132mm±1mm	2700	1470	14W	105	12°
1F7043 FreynL D33023/3000/14W/80/A12	D150xH132mm±1mm	3000	1610	14W	115	12°
1F7044 FreynL D33023/3500/14W/80/A12	D150xH132mm±1mm	3500	1615	14W	116	12°
1F7045 FreynL D33023/4000/14W/80/A12	D150xH132mm±1mm	4000	1700	14W	122	12°
1F7046 FreynL D33023/2700/14W/80/A30	D150xH132mm±1mm	2700	1470	14W	105	30°
1F7047 FreynL D33023/3000/14W/80/A30	D150xH132mm±1mm	3000	1610	14W	115	30°
1F7048 FreynL D33023/3500/14W/80/A30	D150xH132mm±1mm	3500	1615	14W	116	30°

SKU SPECIFICATIONS

Product Code	Dimensions (mm)	CCT (K)	Lumens (lm)	Power (W)	Eff. (lm/watt)	Lens Angle (°)
CRI 80						
1F7049 FreynL D33023/4000/14W/80/A30	D150xH132mm±1mm	4000	1700	14W	122	30°
1F7050 FreynL D33023/2700/14W/80/A45	D150xH132mm±1mm	2700	1470	14W	105	45°
1F7051 FreynL D33023/3000/14W/80/A45	D150xH132mm±1mm	3000	1610	14W	115	45°
1F7052 FreynL D33023/3500/14W/80/A45	D150xH132mm±1mm	3500	1615	14W	116	45°
1F7053 FreynL D33023/4000/14W/80/A45	D150xH132mm±1mm	4000	1700	14W	122	45°
1F7054 FreynL D33023/2700/14W/80/A55	D150xH132mm±1mm	2700	1470	14W	105	55°
1F7055 FreynL D33023/3000/14W/80/A55	D150xH132mm±1mm	3000	1610	14W	115	55°
1F7056 FreynL D33023/3500/14W/80/A55	D150xH132mm±1mm	3500	1615	14W	116	55°
1F7057 FreynL D33023/4000/14W/80/A55	D150xH132mm±1mm	4000	1700	14W	122	55°
1F7058 FreynL D33023/2700/20W/80/A12	D150xH132mm±1mm	2700	2055	20W	103	12°
1F7059 FreynL D33023/3000/20W/80/A12	D150xH132mm±1mm	3000	2250	20W	113	12°
1F7060 FreynL D33023/3500/20W/80/A12	D150xH132mm±1mm	3500	2260	20W	113	12°
1F7061 FreynL D33023/4000/20W/80/A12	D150xH132mm±1mm	4000	2380	20W	119	12°
1F7062 FreynL D33023/2700/20W/80/A30	D150xH132mm±1mm	2700	2055	20W	103	30°
1F7063 FreynL D33023/3000/20W/80/A30	D150xH132mm±1mm	3000	2250	20W	113	30°
1F7064 FreynL D33023/3500/20W/80/A30	D150xH132mm±1mm	3500	2260	20W	113	30°
1F7065 FreynL D33023/4000/20W/80/A30	D150xH132mm±1mm	4000	2380	20W	119	30°
1F7066 FreynL D33023/2700/20W/80/A45	D150xH132mm±1mm	2700	2055	20W	103	45°
1F7067 FreynL D33023/3000/20W/80/A45	D150xH132mm±1mm	3000	2250	20W	113	45°
1F7068 FreynL D33023/3500/20W/80/A45	D150xH132mm±1mm	3500	2260	20W	113	45°
1F7069 FreynL D33023/4000/20W/80/A45	D150xH132mm±1mm	4000	2380	20W	119	45°
1F7070 FreynL D33023/2700/20W/80/A55	D150xH132mm±1mm	2700	2055	20W	103	55°
1F7071 FreynL D33023/3000/20W/80/A55	D150xH132mm±1mm	3000	2250	20W	113	55°
1F7072 FreynL D33023/3500/20W/80/A55	D150xH132mm±1mm	3500	2260	20W	113	55°
1F7073 FreynL D33023/4000/20W/80/A55	D150xH132mm±1mm	4000	2380	20W	119	55°
1F7074 FreynL D33023/2700/27W/80/A12	D150xH132mm±1mm	2700	2855	27W	106	12°
1F7075 FreynL D33023/3000/27W/80/A12	D150xH132mm±1mm	3000	3125	27W	116	12°
1F7076 FreynL D33023/3500/27W/80/A12	D150xH132mm±1mm	3500	3140	27W	117	12°
1F7077 FreynL D33023/4000/27W/80/A12	D150xH132mm±1mm	4000	3305	27W	123	12°
1F7078 FreynL D33023/2700/27W/80/A30	D150xH132mm±1mm	2700	2855	27W	106	30°
1F7079 FreynL D33023/3000/27W/80/A30	D150xH132mm±1mm	3000	3125	27W	116	30°
1F7080 FreynL D33023/3500/27W/80/A30	D150xH132mm±1mm	3500	3140	27W	117	30°
1F7081 FreynL D33023/4000/27W/80/A30	D150xH132mm±1mm	4000	3305	27W	123	30°
1F7082 FreynL D33023/2700/27W/80/A45	D150xH132mm±1mm	2700	2855	27W	106	45°
1F7083 FreynL D33023/3000/27W/80/A45	D150xH132mm±1mm	3000	3125	27W	116	45°
1F7084 FreynL D33023/3500/27W/80/A45	D150xH132mm±1mm	3500	3140	27W	117	45°
1F7085 FreynL D33023/4000/27W/80/A45	D150xH132mm±1mm	4000	3305	27W	123	45°
1F7086 FreynL D33023/2700/27W/80/A55	D150xH132mm±1mm	2700	2855	27W	106	55°
1F7087 FreynL D33023/3000/27W/80/A55	D150xH132mm±1mm	3000	3125	27W	116	55°
1F7088 FreynL D33023/3500/27W/80/A55	D150xH132mm±1mm	3500	3140	27W	117	55°
1F7089 FreynL D33023/4000/27W/80/A55	D150xH132mm±1mm	4000	3305	27W	123	55°