



Onda

RECESSED DOWNLIGHTS | NON-DALI SERIES

Onda is a mini recessed lighting fixture perfect for small areas where accent lights are needed or for modern ceiling design elements. Due to its smaller size, these fixtures can be installed in closer proximity to each other, giving you greater flexibility in designing lighting layouts, and its recessed nature helps to reduce glare.

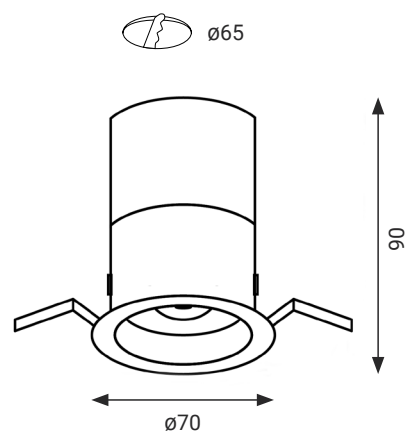
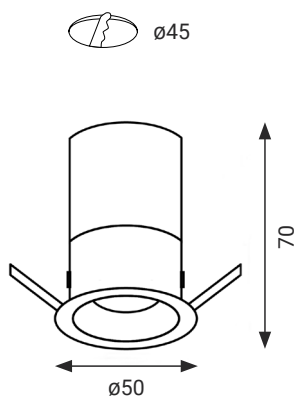
- Onda Non-DALI – the standard for any project

FEATURES & BENEFITS

- CRI > 80 as standard
- Color temperatures: 3000K, 4000K
- Beam angles: 15°, 24°, 36°, 60°
- Luminaire efficiency: 104lm/W @4000K

APPLICATION

Grocery & Supermarkets | Retail | Office | Healthcare | DIY



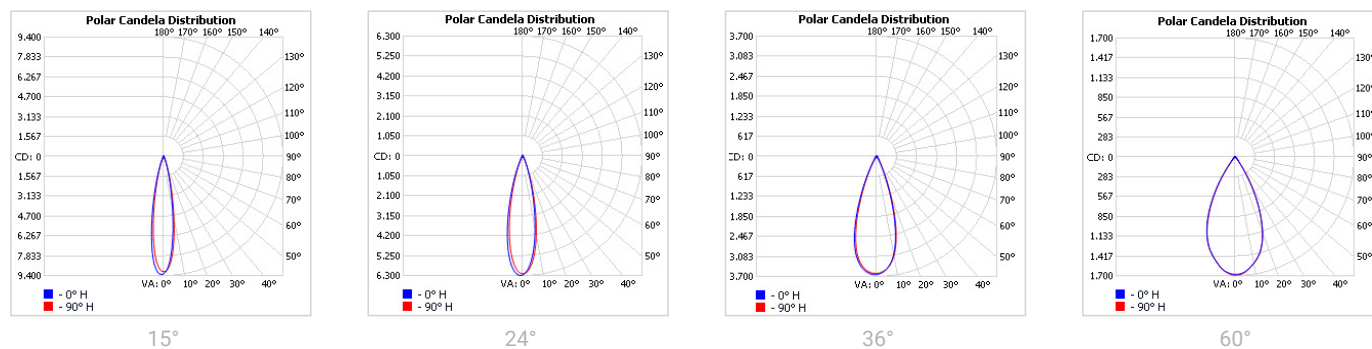
SPECIFICATIONS

Power consumption	4W, 6W	6W, 9W, 11W
Dimensions	D50xH70mm±1mm	D70xH90mm±1mm
Weight	0.2 Kg	0.35 Kg
Housing materials	Aluminium, glass	
IK code	IK02	
Protection class	Safety class 1	
Operating temperature [°C]	-20°C ... +45°C / -4F ... +113F	
Operating humidity [%]	10 ÷ 85	
Power factor	≥0.95	
AC Input [Vac]	220 - 240 VAC	
Lens angle [°]	15°, 24°, 36°, 60°	
Lifespan [h]	50.000	
Housing color	○ RAL 9003 - Signal white, ● RAL 9005 - Jet Black, ● RAL 9006 - White Aluminium	
Lumen maintenance	L90/B10@50.000h at 25°C	
IP factor	IP20	
Control optional	-	
Warranty [years]	5	
Storage temperature range [°C]	-20°C ... +55°C / -4F ... +131F	
Emergency option	-	

#	Standard
CRI	CRI80
CCT [K]	3000K / 4000K
MacAdam	3

CRI - Color rendering, CCT - Color temperature, MacAdam - Color consistency

LIGHT DISTRIBUTION



TOLERANCES

Luminous flux tolerances: -/+ 5%

Consumption tolerance: -/+ 5% for Non-DALI | -/+ 10% for Non-DALI & KIT EM | -/+ 10% for DALI | -/+ 15% for DALI & KIT EM

BATTERY WARRANTY

Non-DALI EM & DALI EM: 12 months warranty

Non-DALI & DALI: -

MAXIMUM NO. OF LUMINAIRES ON A CIRCUIT

Luminaire Power(W)	Control type	Circuit Breaker Type					
		B			C		
		20	16	10	20	16	10
4-11W	Non-DALI	33	27	17	56	45	28

RISK GROUP

RG1

The evaluation of photobiological safety is carried out according to the standard IEC 62471:2008 ("Photobiological safety of lamps and lamp systems"). Following the definition of the risk grouping system of the mentioned IEC standard, the LEDs mounted on this family fall into the class "Low Risk (RG1 – No photobiological hazard under normal behavioral limitations)". Under real circumstances (regarding exposure time, pupils, observation distance), it is assumed that there is no endangerment to the eye from these devices. As a matter of principle, however, it should be mentioned that intense light sources have a high secondary exposure potential due to their blinding effect.

SKU SPECIFICATIONS

Product Code	Dimensions (mm)	CCT (K)	Lumens (lm)	Power (W)	Eff. (lm/watt)	Lens Angle (°)
CRI 80						
1F8000 OndaXS D33018/3000/4W/80/A15	D50xH70mm±1mm	3000	390	4W	98	15°
1F8001 OndaXS D33018/4000/4W/80/A15	D50xH70mm±1mm	4000	410	4W	103	15°
1F8002 OndaXS D33018/3000/4W/80/A24	D50xH70mm±1mm	3000	390	4W	98	24°
1F8003 OndaXS D33018/4000/4W/80/A24	D50xH70mm±1mm	4000	410	4W	103	24°
1F8004 OndaXS D33018/3000/4W/80/A36	D50xH70mm±1mm	3000	390	4W	98	36°
1F8005 OndaXS D33018/4000/4W/80/A36	D50xH70mm±1mm	4000	410	4W	103	36°
1F8006 OndaXS D33018/3000/4W/80/A60	D50xH70mm±1mm	3000	390	4W	98	60°
1F8007 OndaXS D33018/4000/4W/80/A60	D50xH70mm±1mm	4000	410	4W	103	60°
1F8008 OndaXS D33018/3000/6W/80/A15	D50xH70mm±1mm	3000	590	6W	99	15°
1F8009 OndaXS D33018/4000/6W/80/A15	D50xH70mm±1mm	4000	620	6W	104	15°
1F8010 OndaXS D33018/3000/6W/80/A24	D50xH70mm±1mm	3000	590	6W	99	24°
1F8011 OndaXS D33018/4000/6W/80/A24	D50xH70mm±1mm	4000	620	6W	104	24°
1F8012 OndaXS D33018/3000/6W/80/A36	D50xH70mm±1mm	3000	590	6W	99	36°
1F8013 OndaXS D33018/4000/6W/80/A36	D50xH70mm±1mm	4000	620	6W	104	36°
1F8014 OndaXS D33018/3000/6W/80/A60	D50xH70mm±1mm	3000	590	6W	99	60°
1F8015 OndaXS D33018/4000/6W/80/A60	D50xH70mm±1mm	4000	620	6W	104	60°
1F8016 OndaS D33020/3000/6W/80/A15	D70xH90mm±1mm	3000	595	6W	100	15°
1F8017 OndaS D33020/4000/6W/80/A15	D70xH90mm±1mm	4000	620	6W	104	15°
1F8018 OndaS D33020/3000/6W/80/A24	D70xH90mm±1mm	3000	595	6W	100	24°
1F8019 OndaS D33020/4000/6W/80/A24	D70xH90mm±1mm	4000	620	6W	104	24°
1F8020 OndaS D33020/3000/6W/80/A36	D70xH90mm±1mm	3000	595	6W	100	36°
1F8021 OndaS D33020/4000/6W/80/A36	D70xH90mm±1mm	4000	620	6W	104	36°
1F8022 OndaS D33020/3000/6W/80/A60	D70xH90mm±1mm	3000	595	6W	100	60°
1F8023 OndaS D33020/4000/6W/80/A60	D70xH90mm±1mm	4000	620	6W	104	60°
1F8024 OndaS D33020/3000/9W/80/A15	D70xH90mm±1mm	3000	815	9W	91	15°
1F8025 OndaS D33020/4000/9W/80/A15	D70xH90mm±1mm	4000	855	9W	95	15°
1F8026 OndaS D33020/3000/9W/80/A24	D70xH90mm±1mm	3000	815	9W	91	24°
1F8027 OndaS D33020/4000/9W/80/A24	D70xH90mm±1mm	4000	855	9W	95	24°
1F8028 OndaS D33020/3000/9W/80/A36	D70xH90mm±1mm	3000	815	9W	91	36°
1F8029 OndaS D33020/4000/9W/80/A36	D70xH90mm±1mm	4000	855	9W	95	36°
1F8030 OndaS D33020/3000/9W/80/A60	D70xH90mm±1mm	3000	815	9W	91	60°
1F8031 OndaS D33020/4000/9W/80/A60	D70xH90mm±1mm	4000	855	9W	95	60°
1F8032 OndaS D33020/3000/11W/80/A15	D70xH90mm±1mm	3000	1000	11W	91	15°
1F8033 OndaS D33020/4000/11W/80/A15	D70xH90mm±1mm	4000	1050	11W	96	15°
1F8034 OndaS D33020/3000/11W/80/A24	D70xH90mm±1mm	3000	1000	11W	91	24°
1F8035 OndaS D33020/4000/11W/80/A24	D70xH90mm±1mm	4000	1050	11W	96	24°
1F8036 OndaS D33020/3000/11W/80/A36	D70xH90mm±1mm	3000	1000	11W	91	36°
1F8037 OndaS D33020/4000/11W/80/A36	D70xH90mm±1mm	4000	1050	11W	96	36°
1F8038 OndaS D33020/3000/11W/80/A60	D70xH90mm±1mm	3000	1000	11W	91	60°
1F8039 OndaS D33020/4000/11W/80/A60	D70xH90mm±1mm	4000	1050	11W	96	60°

Technical specifications can be modified without prior notice. All information is property of Greentek Lighting.
 The presentation picture is for information purposes only. Latest document update: August 28, 2023 4:12 PM. www.greentek.eu