

Lenyk Slim E TRK

Trunking System



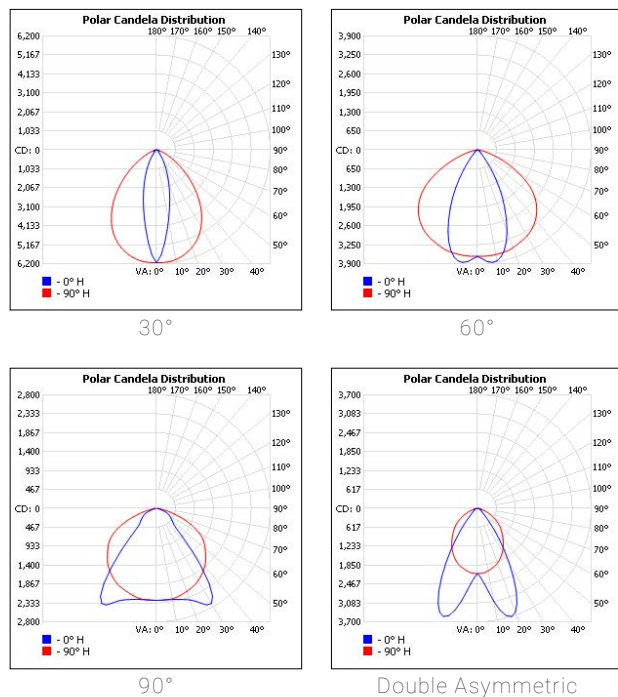
FEATURES & BENEFITS

- Form factors: 30cm, 60cm, 90cm, 120cm, 150cm
- Three temperatures: 3000K, 4000K and 5000K
- Wide range of lens angle: 30°, 60°, 90° and Double Asymmetric
- Color rendering index: 80
- Efficiency @5000K: 137 lm/W

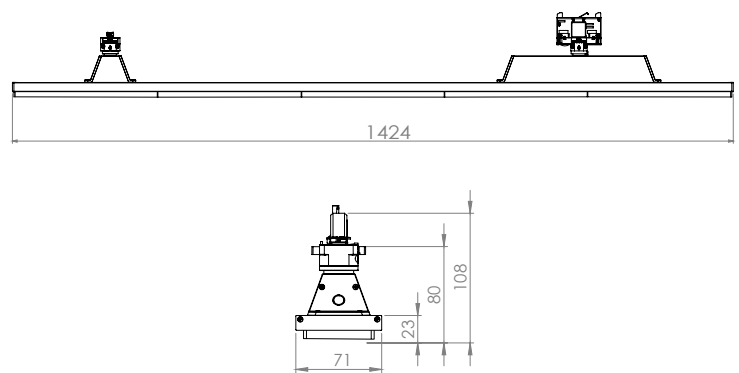
APPLICATIONS

Grocery & Supermarkets | Retail | Office | Healthcare | Industrial & Logistics | Hospitality | DIY

LIGHT DISTRIBUTION



TECHNICAL DRAW



SPECIFICATIONS

Power	7W, 9W, 11W	14W, 17W, 21W	21W, 26W, 31W	27W, 34W, 40W	33W, 42W, 51W
Dimensions	300x71x108mm±1mm	580x71x108mm±1mm	862x71x108mm±1mm	1144x71x108mm±1mm	1424x71x108mm±1mm
Color Rendering	CRI80				
Housing materials	Aluminium, polycarbonate				
IK Code	IK04				
THD	<20%				
Protection Class	Safety class 1				
Operating temperature (°C)	-20°C...+55°C/-4F...+131F				
Operating humidity (%)	10 ÷ 85				
Power factor	≥0.95				
AC Input	220-240 Vac				
Color temperature	3000K, 4000K, 5000K				
Lens angle (°)	30°, 60°, 90°, DA				
Lifespan (h)	50000				
Housing color	Anodised grey				
Color consistency	MacAdam 4				
Lumen maintenance	L80/B20@50.000h at 25°C				
IP Rating	IP20				
Control option	-				
Warranty (years)	5 years				
Storage Temperature Range (°C)	-25°C...+55°C/-13F...+131F				
Efficiency @4000K	137 lm/W				
Luminous flux tolerance	+/- 5%				
Consumption tolerance	-/+ 5%				
Risk group	<p>RG0</p> <p>The evaluation of photobiological safety is carried out according to the standard IEC 62471:2008 ("Photobiological safety of lamps and lamp systems"). Following the definition of the risk grouping system of the mentioned IEC standard, the LEDs mounted on this family fall into the class "Exempt (RG0 – No photobiological hazard)". Under real circumstances (regarding exposure time, pupils, observation distance), it is assumed that there is no endangerment to the eye from these devices. As a matter of principle, however, it should be mentioned that intense light sources have a high secondary exposure potential due to their blinding effect.</p>				

MAXIMUM NO. OF LUMINAIRES ON A CIRCUIT

Luminaire Length	Control type	Circuit Breaker Type					
		B			C		
		20	16	10	20	16	10
30cm SR1R	Non-DALI	116	93	58	116	93	58
60cm SR1R	Non-DALI	116	93	58	116	93	58
90cm SR1R	Non-DALI	82	65	41	82	65	41
120cm SR1R	Non-DALI	58	47	29	58	47	29
150cm SR1R	Non-DALI	45	36	22	45	36	22

SKU SPECIFICATIONS

Article Number	Dimensions (mm)	CCT (K)	Lumens (lm)	Power (W)	Efficiency (lm/watt)	Lens angle (degrees)	Weight (kg)
1E2000 Lenyk Slim E SR1R TRK30/3000/7W/80/TB	300x71x108mm±1mm	3000	875	7W	125	30	0.8 Kg
1E2001 Lenyk Slim E SR1R TRK30/4000/7W/80/TB	300x71x108mm±1mm	4000	920	7W	132	30	0.8 Kg
1E2002 Lenyk Slim E SR1R TRK30/5000/7W/80/TB	300x71x108mm±1mm	5000	935	7W	134	30	0.8 Kg
1E2003 Lenyk Slim E SR1R TRK30/3000/7W/80/NB	300x71x108mm±1mm	3000	885	7W	127	60	0.8 Kg
1E2004 Lenyk Slim E SR1R TRK30/4000/7W/80/NB	300x71x108mm±1mm	4000	930	7W	133	60	0.8 Kg
1E2005 Lenyk Slim E SR1R TRK30/5000/7W/80/NB	300x71x108mm±1mm	5000	945	7W	135	60	0.8 Kg
1E2006 Lenyk Slim E SR1R TRK30/3000/7W/80/WB	300x71x108mm±1mm	3000	885	7W	127	90	0.8 Kg
1E2007 Lenyk Slim E SR1R TRK30/4000/7W/80/WB	300x71x108mm±1mm	4000	930	7W	133	90	0.8 Kg
1E2008 Lenyk Slim E SR1R TRK30/5000/7W/80/WB	300x71x108mm±1mm	5000	945	7W	135	90	0.8 Kg
1E2009 Lenyk Slim E SR1R TRK30/3000/7W/80/DA	300x71x108mm±1mm	3000	870	7W	125	DA	0.8 Kg
1E2010 Lenyk Slim E SR1R TRK30/4000/7W/80/DA	300x71x108mm±1mm	4000	920	7W	132	DA	0.8 Kg
1E2011 Lenyk Slim E SR1R TRK30/5000/7W/80/DA	300x71x108mm±1mm	5000	935	7W	134	DA	0.8 Kg
1E2012 Lenyk Slim E SR1R TRK30/3000/9W/80/TB	300x71x108mm±1mm	3000	1055	9W	118	30	0.8 Kg
1E2013 Lenyk Slim E SR1R TRK30/4000/9W/80/TB	300x71x108mm±1mm	4000	1110	9W	124	30	0.8 Kg
1E2014 Lenyk Slim E SR1R TRK30/5000/9W/80/TB	300x71x108mm±1mm	5000	1125	9W	125	30	0.8 Kg
1E2015 Lenyk Slim E SR1R TRK30/3000/9W/80/NB	300x71x108mm±1mm	3000	1065	9W	119	60	0.8 Kg
1E2016 Lenyk Slim E SR1R TRK30/4000/9W/80/NB	300x71x108mm±1mm	4000	1120	9W	125	60	0.8 Kg
1E2017 Lenyk Slim E SR1R TRK30/5000/9W/80/NB	300x71x108mm±1mm	5000	1140	9W	127	60	0.8 Kg
1E2018 Lenyk Slim E SR1R TRK30/3000/9W/80/WB	300x71x108mm±1mm	3000	1065	9W	119	90	0.8 Kg
1E2019 Lenyk Slim E SR1R TRK30/4000/9W/80/WB	300x71x108mm±1mm	4000	1120	9W	125	90	0.8 Kg
1E2020 Lenyk Slim E SR1R TRK30/5000/9W/80/WB	300x71x108mm±1mm	5000	1140	9W	127	90	0.8 Kg
1E2021 Lenyk Slim E SR1R TRK30/3000/9W/80/DA	300x71x108mm±1mm	3000	1050	9W	117	DA	0.8 Kg
1E2022 Lenyk Slim E SR1R TRK30/4000/9W/80/DA	300x71x108mm±1mm	4000	1110	9W	124	DA	0.8 Kg
1E2023 Lenyk Slim E SR1R TRK30/5000/9W/80/DA	300x71x108mm±1mm	5000	1125	9W	125	DA	0.8 Kg
1E2024 Lenyk Slim E SR1R TRK30/3000/11W/80/TB	300x71x108mm±1mm	3000	1235	11W	113	30	0.8 Kg
1E2025 Lenyk Slim E SR1R TRK30/4000/11W/80/TB	300x71x108mm±1mm	4000	1300	11W	119	30	0.8 Kg
1E2026 Lenyk Slim E SR1R TRK30/5000/11W/80/TB	300x71x108mm±1mm	5000	1320	11W	120	30	0.8 Kg
1E2027 Lenyk Slim E SR1R TRK30/3000/11W/80/NB	300x71x108mm±1mm	3000	1245	11W	114	60	0.8 Kg
1E2028 Lenyk Slim E SR1R TRK30/4000/11W/80/NB	300x71x108mm±1mm	4000	1315	11W	120	60	0.8 Kg
1E2029 Lenyk Slim E SR1R TRK30/5000/11W/80/NB	300x71x108mm±1mm	5000	1335	11W	122	60	0.8 Kg
1E2030 Lenyk Slim E SR1R TRK30/3000/11W/80/WB	300x71x108mm±1mm	3000	1245	11W	114	90	0.8 Kg
1E2031 Lenyk Slim E SR1R TRK30/4000/11W/80/WB	300x71x108mm±1mm	4000	1315	11W	120	90	0.8 Kg
1E2032 Lenyk Slim E SR1R TRK30/5000/11W/80/WB	300x71x108mm±1mm	5000	1335	11W	122	90	0.8 Kg
1E2033 Lenyk Slim E SR1R TRK30/3000/11W/80/DA	300x71x108mm±1mm	3000	1230	11W	112	DA	0.8 Kg
1E2034 Lenyk Slim E SR1R TRK30/4000/11W/80/DA	300x71x108mm±1mm	4000	1295	11W	118	DA	0.8 Kg
1E2035 Lenyk Slim E SR1R TRK30/5000/11W/80/DA	300x71x108mm±1mm	5000	1315	11W	120	DA	0.8 Kg
1E2036 Lenyk Slim E SR1R TRK60/3000/14W/80/TB	580x71x108mm±1mm	3000	1730	14W	124	30	1.1 Kg
1E2037 Lenyk Slim E SR1R TRK60/4000/14W/80/TB	580x71x108mm±1mm	4000	1825	14W	131	30	1.1 Kg
1E2038 Lenyk Slim E SR1R TRK60/5000/14W/80/TB	580x71x108mm±1mm	5000	1850	14W	133	30	1.1 Kg
1E2039 Lenyk Slim E SR1R TRK60/3000/14W/80/NB	580x71x108mm±1mm	3000	1750	14W	125	60	1.1 Kg
1E2040 Lenyk Slim E SR1R TRK60/4000/14W/80/NB	580x71x108mm±1mm	4000	1845	14W	132	60	1.1 Kg
1E2041 Lenyk Slim E SR1R TRK60/5000/14W/80/NB	580x71x108mm±1mm	5000	1875	14W	134	60	1.1 Kg
1E2042 Lenyk Slim E SR1R TRK60/3000/14W/80/WB	580x71x108mm±1mm	3000	1750	14W	125	90	1.1 Kg
1E2043 Lenyk Slim E SR1R TRK60/4000/14W/80/WB	580x71x108mm±1mm	4000	1845	14W	132	90	1.1 Kg
1E2044 Lenyk Slim E SR1R TRK60/5000/14W/80/WB	580x71x108mm±1mm	5000	1875	14W	134	90	1.1 Kg
1E2045 Lenyk Slim E SR1R TRK60/3000/14W/80/DA	580x71x108mm±1mm	3000	1730	14W	124	DA	1.1 Kg
1E2046 Lenyk Slim E SR1R TRK60/4000/14W/80/DA	580x71x108mm±1mm	4000	1820	14W	130	DA	1.1 Kg

Article Number	Dimensions (mm)	CCT (K)	Lumens (lm)	Power (W)	Efficiency (lm/watt)	Lens angle (degrees)	Weight (kg)
1E2047 Lenyk Slim E SR1R TRK60/5000/14W/80/DA	580x71x108mm±1mm	5000	1850	14W	133	DA	1.1 Kg
1E2048 Lenyk Slim E SR1R TRK60/3000/17W/80/TB	580x71x108mm±1mm	3000	2120	17W	125	30	1.1 Kg
1E2049 Lenyk Slim E SR1R TRK60/4000/17W/80/TB	580x71x108mm±1mm	4000	2235	17W	132	30	1.1 Kg
1E2050 Lenyk Slim E SR1R TRK60/5000/17W/80/TB	580x71x108mm±1mm	5000	2265	17W	134	30	1.1 Kg
1E2051 Lenyk Slim E SR1R TRK60/3000/17W/80/NB	580x71x108mm±1mm	3000	2140	17W	126	60	1.1 Kg
1E2052 Lenyk Slim E SR1R TRK60/4000/17W/80/NB	580x71x108mm±1mm	4000	2260	17W	133	60	1.1 Kg
1E2053 Lenyk Slim E SR1R TRK60/5000/17W/80/NB	580x71x108mm±1mm	5000	2290	17W	135	60	1.1 Kg
1E2054 Lenyk Slim E SR1R TRK60/3000/17W/80/WB	580x71x108mm±1mm	3000	2140	17W	126	90	1.1 Kg
1E2055 Lenyk Slim E SR1R TRK60/4000/17W/80/WB	580x71x108mm±1mm	4000	2260	17W	133	90	1.1 Kg
1E2056 Lenyk Slim E SR1R TRK60/5000/17W/80/WB	580x71x108mm±1mm	5000	2290	17W	135	90	1.1 Kg
1E2057 Lenyk Slim E SR1R TRK60/3000/17W/80/DA	580x71x108mm±1mm	3000	2115	17W	125	DA	1.1 Kg
1E2058 Lenyk Slim E SR1R TRK60/4000/17W/80/DA	580x71x108mm±1mm	4000	2230	17W	132	DA	1.1 Kg
1E2059 Lenyk Slim E SR1R TRK60/5000/17W/80/DA	580x71x108mm±1mm	5000	2260	17W	133	DA	1.1 Kg
1E2060 Lenyk Slim E SR1R TRK60/3000/21W/80/TB	580x71x108mm±1mm	3000	2465	21W	118	30	1.1 Kg
1E2061 Lenyk Slim E SR1R TRK60/4000/21W/80/TB	580x71x108mm±1mm	4000	2595	21W	124	30	1.1 Kg
1E2062 Lenyk Slim E SR1R TRK60/5000/21W/80/TB	580x71x108mm±1mm	5000	2635	21W	126	30	1.1 Kg
1E2063 Lenyk Slim E SR1R TRK60/3000/21W/80/NB	580x71x108mm±1mm	3000	2490	21W	119	60	1.1 Kg
1E2064 Lenyk Slim E SR1R TRK60/4000/21W/80/NB	580x71x108mm±1mm	4000	2625	21W	125	60	1.1 Kg
1E2065 Lenyk Slim E SR1R TRK60/5000/21W/80/NB	580x71x108mm±1mm	5000	2665	21W	127	60	1.1 Kg
1E2066 Lenyk Slim E SR1R TRK60/3000/21W/80/WB	580x71x108mm±1mm	3000	2490	21W	119	90	1.1 Kg
1E2067 Lenyk Slim E SR1R TRK60/4000/21W/80/WB	580x71x108mm±1mm	4000	2625	21W	125	90	1.1 Kg
1E2068 Lenyk Slim E SR1R TRK60/5000/21W/80/WB	580x71x108mm±1mm	5000	2665	21W	127	90	1.1 Kg
1E2069 Lenyk Slim E SR1R TRK60/3000/21W/80/DA	580x71x108mm±1mm	3000	2460	21W	118	DA	1.1 Kg
1E2070 Lenyk Slim E SR1R TRK60/4000/21W/80/DA	580x71x108mm±1mm	4000	2590	21W	124	DA	1.1 Kg
1E2071 Lenyk Slim E SR1R TRK60/5000/21W/80/DA	580x71x108mm±1mm	5000	2630	21W	126	DA	1.1 Kg
1E2072 Lenyk Slim E SR1R TRK90/3000/21W/80/TB	862x71x108mm±1mm	3000	2625	21W	125	30	1.4 Kg
1E2073 Lenyk Slim E SR1R TRK90/4000/21W/80/TB	862x71x108mm±1mm	4000	2765	21W	132	30	1.4 Kg
1E2074 Lenyk Slim E SR1R TRK90/5000/21W/80/TB	862x71x108mm±1mm	5000	2805	21W	134	30	1.4 Kg
1E2075 Lenyk Slim E SR1R TRK90/3000/21W/80/NB	862x71x108mm±1mm	3000	2655	21W	127	60	1.4 Kg
1E2076 Lenyk Slim E SR1R TRK90/4000/21W/80/NB	862x71x108mm±1mm	4000	2795	21W	134	60	1.4 Kg
1E2077 Lenyk Slim E SR1R TRK90/5000/21W/80/NB	862x71x108mm±1mm	5000	2840	21W	136	60	1.4 Kg
1E2078 Lenyk Slim E SR1R TRK90/3000/21W/80/WB	862x71x108mm±1mm	3000	2655	21W	127	90	1.4 Kg
1E2079 Lenyk Slim E SR1R TRK90/4000/21W/80/WB	862x71x108mm±1mm	4000	2795	21W	134	90	1.4 Kg
1E2080 Lenyk Slim E SR1R TRK90/5000/21W/80/WB	862x71x108mm±1mm	5000	2840	21W	136	90	1.4 Kg
1E2081 Lenyk Slim E SR1R TRK90/3000/21W/80/DA	862x71x108mm±1mm	3000	2620	21W	125	DA	1.4 Kg
1E2082 Lenyk Slim E SR1R TRK90/4000/21W/80/DA	862x71x108mm±1mm	4000	2760	21W	132	DA	1.4 Kg
1E2083 Lenyk Slim E SR1R TRK90/5000/21W/80/DA	862x71x108mm±1mm	5000	2800	21W	134	DA	1.4 Kg
1E2084 Lenyk Slim E SR1R TRK90/3000/26W/80/TB	862x71x108mm±1mm	3000	3195	26W	123	30	1.4 Kg
1E2085 Lenyk Slim E SR1R TRK90/4000/26W/80/TB	862x71x108mm±1mm	4000	3370	26W	130	30	1.4 Kg
1E2086 Lenyk Slim E SR1R TRK90/5000/26W/80/TB	862x71x108mm±1mm	5000	3420	26W	132	30	1.4 Kg
1E2087 Lenyk Slim E SR1R TRK90/3000/26W/80/NB	862x71x108mm±1mm	3000	3230	26W	125	60	1.4 Kg
1E2088 Lenyk Slim E SR1R TRK90/4000/26W/80/NB	862x71x108mm±1mm	4000	3405	26W	131	60	1.4 Kg
1E2089 Lenyk Slim E SR1R TRK90/5000/26W/80/NB	862x71x108mm±1mm	5000	3455	26W	133	60	1.4 Kg
1E2090 Lenyk Slim E SR1R TRK90/3000/26W/80/WB	862x71x108mm±1mm	3000	3230	26W	125	90	1.4 Kg
1E2091 Lenyk Slim E SR1R TRK90/4000/26W/80/WB	862x71x108mm±1mm	4000	3405	26W	131	90	1.4 Kg
1E2092 Lenyk Slim E SR1R TRK90/5000/26W/80/WB	862x71x108mm±1mm	5000	3455	26W	133	90	1.4 Kg
1E2093 Lenyk Slim E SR1R TRK90/3000/26W/80/DA	862x71x108mm±1mm	3000	3190	26W	123	DA	1.4 Kg

Article Number	Dimensions (mm)	CCT (K)	Lumens (lm)	Power (W)	Efficiency (lm/watt)	Lens angle (degrees)	Weight (kg)
1E2094 Lenyk Slim E SR1R TRK90/4000/26W/80/DA	862x71x108mm±1mm	4000	3360	26W	130	DA	1.4 Kg
1E2095 Lenyk Slim E SR1R TRK90/5000/26W/80/DA	862x71x108mm±1mm	5000	3410	26W	132	DA	1.4 Kg
1E2096 Lenyk Slim E SR1R TRK90/3000/31W/80/TB	862x71x108mm±1mm	3000	3685	31W	119	30	1.4 Kg
1E2097 Lenyk Slim E SR1R TRK90/4000/31W/80/TB	862x71x108mm±1mm	4000	3885	31W	126	30	1.4 Kg
1E2098 Lenyk Slim E SR1R TRK90/5000/31W/80/TB	862x71x108mm±1mm	5000	3945	31W	128	30	1.4 Kg
1E2099 Lenyk Slim E SR1R TRK90/3000/31W/80/NB	862x71x108mm±1mm	3000	3725	31W	121	60	1.4 Kg
1E2100 Lenyk Slim E SR1R TRK90/4000/31W/80/NB	862x71x108mm±1mm	4000	3930	31W	127	60	1.4 Kg
1E2101 Lenyk Slim E SR1R TRK90/5000/31W/80/NB	862x71x108mm±1mm	5000	3985	31W	129	60	1.4 Kg
1E2102 Lenyk Slim E SR1R TRK90/3000/31W/80/WB	862x71x108mm±1mm	3000	3725	31W	121	90	1.4 Kg
1E2103 Lenyk Slim E SR1R TRK90/4000/31W/80/WB	862x71x108mm±1mm	4000	3930	31W	127	90	1.4 Kg
1E2104 Lenyk Slim E SR1R TRK90/5000/31W/80/WB	862x71x108mm±1mm	5000	3985	31W	129	90	1.4 Kg
1E2105 Lenyk Slim E SR1R TRK90/3000/31W/80/DA	862x71x108mm±1mm	3000	3680	31W	119	DA	1.4 Kg
1E2106 Lenyk Slim E SR1R TRK90/4000/31W/80/DA	862x71x108mm±1mm	4000	3880	31W	126	DA	1.4 Kg
1E2107 Lenyk Slim E SR1R TRK90/5000/31W/80/DA	862x71x108mm±1mm	5000	3935	31W	127	DA	1.4 Kg
1E2108 Lenyk Slim E SR1R TRK120/3000/27W/80/TB	1144x71x108mm±1mm	3000	3110	27W	116	30	1.9 Kg
1E2109 Lenyk Slim E SR1R TRK120/4000/27W/80/TB	1144x71x108mm±1mm	4000	3275	27W	122	30	1.9 Kg
1E2110 Lenyk Slim E SR1R TRK120/5000/27W/80/TB	1144x71x108mm±1mm	5000	3325	27W	124	30	1.9 Kg
1E2111 Lenyk Slim E SR1R TRK120/3000/27W/80/NB	1144x71x108mm±1mm	3000	3145	27W	117	60	1.9 Kg
1E2112 Lenyk Slim E SR1R TRK120/4000/27W/80/NB	1144x71x108mm±1mm	4000	3315	27W	123	60	1.9 Kg
1E2113 Lenyk Slim E SR1R TRK120/5000/27W/80/NB	1144x71x108mm±1mm	5000	3365	27W	125	60	1.9 Kg
1E2114 Lenyk Slim E SR1R TRK120/3000/27W/80/WB	1144x71x108mm±1mm	3000	3145	27W	117	90	1.9 Kg
1E2115 Lenyk Slim E SR1R TRK120/4000/27W/80/WB	1144x71x108mm±1mm	4000	3315	27W	123	90	1.9 Kg
1E2116 Lenyk Slim E SR1R TRK120/5000/27W/80/WB	1144x71x108mm±1mm	5000	3365	27W	125	90	1.9 Kg
1E2117 Lenyk Slim E SR1R TRK120/3000/27W/80/DA	1144x71x108mm±1mm	3000	3100	27W	115	DA	1.9 Kg
1E2118 Lenyk Slim E SR1R TRK120/4000/27W/80/DA	1144x71x108mm±1mm	4000	3270	27W	122	DA	1.9 Kg
1E2119 Lenyk Slim E SR1R TRK120/5000/27W/80/DA	1144x71x108mm±1mm	5000	3320	27W	123	DA	1.9 Kg
1E2120 Lenyk Slim E SR1R TRK120/3000/34W/80/TB	1144x71x108mm±1mm	3000	4200	34W	124	30	1.9 Kg
1E2121 Lenyk Slim E SR1R TRK120/4000/34W/80/TB	1144x71x108mm±1mm	4000	4425	34W	131	30	1.9 Kg
1E2122 Lenyk Slim E SR1R TRK120/5000/34W/80/TB	1144x71x108mm±1mm	5000	4490	34W	133	30	1.9 Kg
1E2123 Lenyk Slim E SR1R TRK120/3000/34W/80/NB	1144x71x108mm±1mm	3000	4245	34W	125	60	1.9 Kg
1E2124 Lenyk Slim E SR1R TRK120/4000/34W/80/NB	1144x71x108mm±1mm	4000	4475	34W	132	60	1.9 Kg
1E2125 Lenyk Slim E SR1R TRK120/5000/34W/80/NB	1144x71x108mm±1mm	5000	4540	34W	134	60	1.9 Kg
1E2126 Lenyk Slim E SR1R TRK120/3000/34W/80/WB	1144x71x108mm±1mm	3000	4245	34W	125	90	1.9 Kg
1E2127 Lenyk Slim E SR1R TRK120/4000/34W/80/WB	1144x71x108mm±1mm	4000	4475	34W	132	90	1.9 Kg
1E2128 Lenyk Slim E SR1R TRK120/5000/34W/80/WB	1144x71x108mm±1mm	5000	4540	34W	134	90	1.9 Kg
1E2129 Lenyk Slim E SR1R TRK120/3000/34W/80/DA	1144x71x108mm±1mm	3000	4190	34W	124	DA	1.9 Kg
1E2130 Lenyk Slim E SR1R TRK120/4000/34W/80/DA	1144x71x108mm±1mm	4000	4415	34W	130	DA	1.9 Kg
1E2131 Lenyk Slim E SR1R TRK120/5000/34W/80/DA	1144x71x108mm±1mm	5000	4480	34W	132	DA	1.9 Kg
1E2132 Lenyk Slim E SR1R TRK120/3000/40W/80/TB	1144x71x108mm±1mm	3000	4900	40W	123	30	1.9 Kg
1E2133 Lenyk Slim E SR1R TRK120/4000/40W/80/TB	1144x71x108mm±1mm	4000	5165	40W	130	30	1.9 Kg
1E2134 Lenyk Slim E SR1R TRK120/5000/40W/80/TB	1144x71x108mm±1mm	5000	5240	40W	131	30	1.9 Kg
1E2135 Lenyk Slim E SR1R TRK120/3000/40W/80/NB	1144x71x108mm±1mm	3000	4955	40W	124	60	1.9 Kg
1E2136 Lenyk Slim E SR1R TRK120/4000/40W/80/NB	1144x71x108mm±1mm	4000	5220	40W	131	60	1.9 Kg
1E2137 Lenyk Slim E SR1R TRK120/5000/40W/80/NB	1144x71x108mm±1mm	5000	5300	40W	133	60	1.9 Kg
1E2138 Lenyk Slim E SR1R TRK120/3000/40W/80/WB	1144x71x108mm±1mm	3000	4955	40W	124	90	1.9 Kg
1E2139 Lenyk Slim E SR1R TRK120/4000/40W/80/WB	1144x71x108mm±1mm	4000	5220	40W	131	90	1.9 Kg
1E2140 Lenyk Slim E SR1R TRK120/5000/40W/80/WB	1144x71x108mm±1mm	5000	5300	40W	133	90	1.9 Kg

Article Number	Dimensions (mm)	CCT (K)	Lumens (lm)	Power (W)	Efficiency (lm/watt)	Lens angle (degrees)	Weight (kg)
1E2141 Lenyk Slim E SR1R TRK120/3000/40W/80/DA	1144x71x108mm±1mm	3000	4890	40W	123	DA	1.9 Kg
1E2142 Lenyk Slim E SR1R TRK120/4000/40W/80/DA	1144x71x108mm±1mm	4000	5155	40W	129	DA	1.9 Kg
1E2143 Lenyk Slim E SR1R TRK120/5000/40W/80/DA	1144x71x108mm±1mm	5000	5230	40W	131	DA	1.9 Kg
1E2144 Lenyk Slim E SR1R TRK150/3000/33W/80/TB	1424x71x108mm±1mm	3000	4155	33W	126	30	2.2 Kg
1E2145 Lenyk Slim E SR1R TRK150/4000/33W/80/TB	1424x71x108mm±1mm	4000	4380	33W	133	30	2.2 Kg
1E2146 Lenyk Slim E SR1R TRK150/5000/33W/80/TB	1424x71x108mm±1mm	5000	4440	33W	135	30	2.2 Kg
1E2147 Lenyk Slim E SR1R TRK150/3000/33W/80/NB	1424x71x108mm±1mm	3000	4220	33W	128	60	2.2 Kg
1E2148 Lenyk Slim E SR1R TRK150/4000/33W/80/NB	1424x71x108mm±1mm	4000	4450	33W	135	60	2.2 Kg
1E2149 Lenyk Slim E SR1R TRK150/5000/33W/80/NB	1424x71x108mm±1mm	5000	4515	33W	137	60	2.2 Kg
1E2150 Lenyk Slim E SR1R TRK150/3000/33W/80/WB	1424x71x108mm±1mm	3000	4220	33W	128	90	2.2 Kg
1E2151 Lenyk Slim E SR1R TRK150/4000/33W/80/WB	1424x71x108mm±1mm	4000	4450	33W	135	90	2.2 Kg
1E2152 Lenyk Slim E SR1R TRK150/5000/33W/80/WB	1424x71x108mm±1mm	5000	4510	33W	137	90	2.2 Kg
1E2153 Lenyk Slim E SR1R TRK150/3000/33W/80/DA	1424x71x108mm±1mm	3000	4215	33W	128	DA	2.2 Kg
1E2154 Lenyk Slim E SR1R TRK150/4000/33W/80/DA	1424x71x108mm±1mm	4000	4445	33W	135	DA	2.2 Kg
1E2155 Lenyk Slim E SR1R TRK150/5000/33W/80/DA	1424x71x108mm±1mm	5000	4505	33W	137	DA	2.2 Kg
1E2156 Lenyk Slim E SR1R TRK150/3000/42W/80/TB	1424x71x108mm±1mm	3000	5040	42W	120	30	2.2 Kg
1E2157 Lenyk Slim E SR1R TRK150/4000/42W/80/TB	1424x71x108mm±1mm	4000	5310	42W	127	30	2.2 Kg
1E2158 Lenyk Slim E SR1R TRK150/5000/42W/80/TB	1424x71x108mm±1mm	5000	5385	42W	129	30	2.2 Kg
1E2159 Lenyk Slim E SR1R TRK150/3000/42W/80/NB	1424x71x108mm±1mm	3000	5120	42W	122	60	2.2 Kg
1E2160 Lenyk Slim E SR1R TRK150/4000/42W/80/NB	1424x71x108mm±1mm	4000	5400	42W	129	60	2.2 Kg
1E2161 Lenyk Slim E SR1R TRK150/5000/42W/80/NB	1424x71x108mm±1mm	5000	5475	42W	131	60	2.2 Kg
1E2162 Lenyk Slim E SR1R TRK150/3000/42W/80/WB	1424x71x108mm±1mm	3000	5155	42W	123	90	2.2 Kg
1E2163 Lenyk Slim E SR1R TRK150/4000/42W/80/WB	1424x71x108mm±1mm	4000	5435	42W	130	90	2.2 Kg
1E2164 Lenyk Slim E SR1R TRK150/5000/42W/80/WB	1424x71x108mm±1mm	5000	5510	42W	132	90	2.2 Kg
1E2165 Lenyk Slim E SR1R TRK150/3000/42W/80/DA	1424x71x108mm±1mm	3000	5110	42W	122	DA	2.2 Kg
1E2166 Lenyk Slim E SR1R TRK150/4000/42W/80/DA	1424x71x108mm±1mm	4000	5390	42W	129	DA	2.2 Kg
1E2167 Lenyk Slim E SR1R TRK150/5000/42W/80/DA	1424x71x108mm±1mm	5000	5465	42W	131	DA	2.2 Kg
1E2168 Lenyk Slim E SR1R TRK150/3000/51W/80/TB	1424x71x108mm±1mm	3000	5785	51W	114	30	2.2 Kg
1E2169 Lenyk Slim E SR1R TRK150/4000/51W/80/TB	1424x71x108mm±1mm	4000	6095	51W	120	30	2.2 Kg
1E2170 Lenyk Slim E SR1R TRK150/5000/51W/80/TB	1424x71x108mm±1mm	5000	6180	51W	122	30	2.2 Kg
1E2171 Lenyk Slim E SR1R TRK150/3000/51W/80/NB	1424x71x108mm±1mm	3000	5885	51W	116	60	2.2 Kg
1E2172 Lenyk Slim E SR1R TRK150/4000/51W/80/NB	1424x71x108mm±1mm	4000	6205	51W	122	60	2.2 Kg
1E2173 Lenyk Slim E SR1R TRK150/5000/51W/80/NB	1424x71x108mm±1mm	5000	6295	51W	124	60	2.2 Kg
1E2174 Lenyk Slim E SR1R TRK150/3000/51W/80/WB	1424x71x108mm±1mm	3000	5930	51W	117	90	2.2 Kg
1E2175 Lenyk Slim E SR1R TRK150/4000/51W/80/WB	1424x71x108mm±1mm	4000	6250	51W	123	90	2.2 Kg
1E2176 Lenyk Slim E SR1R TRK150/5000/51W/80/WB	1424x71x108mm±1mm	5000	6340	51W	125	90	2.2 Kg
1E2177 Lenyk Slim E SR1R TRK150/3000/51W/80/DA	1424x71x108mm±1mm	3000	5875	51W	116	DA	2.2 Kg
1E2178 Lenyk Slim E SR1R TRK150/4000/51W/80/DA	1424x71x108mm±1mm	4000	6195	51W	122	DA	2.2 Kg
1E2179 Lenyk Slim E SR1R TRK150/5000/51W/80/DA	1424x71x108mm±1mm	5000	6280	51W	124	DA	2.2 Kg