

# Attis

## Suspended luminaires



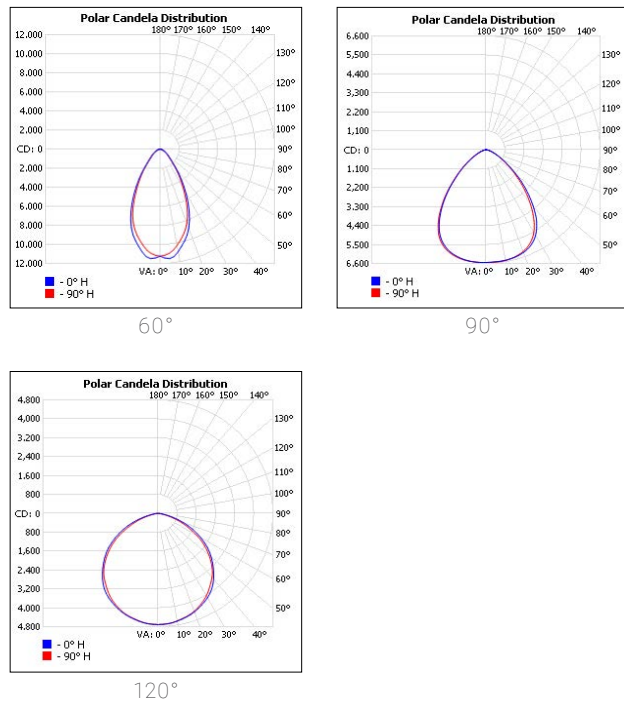
### FEATURES & BENEFITS

- Available in three dimensions
- Color temperatures: 4000K, 5700K, 6500K
- Robust and waterproof with IP65
- Lens angles: 60°, 90°, 120°
- Color rendering index: 70
- Efficiency @4000K: 127 lm/W

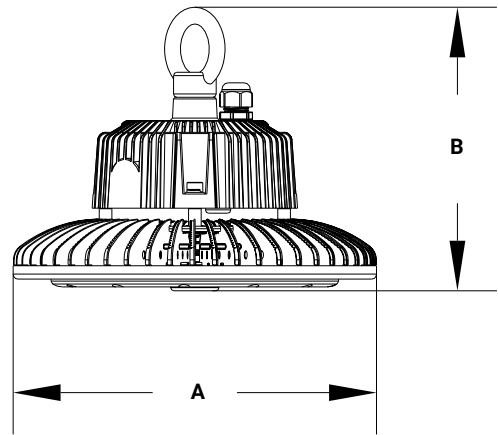
### APPLICATIONS

Shipping | Storage Facilities | Workshops | Industrial & Logistics

### LIGHT DISTRIBUTION



### TECHNICAL DRAW



### Dimensions (mm)

	A	B
S	230	170
M	285	188
L	330	193

## SPECIFICATIONS

Power	100W	152W	192W
Dimensions	Ø 230 x 170 ± 1mm	Ø 285 x 188 ± 1mm	Ø 330 x 193 ± 1mm
Color Rendering	CRI70		
Housing materials	Aluminium & Polycarbonate		
IK Code	IK07		
Operating temperature (°C) for Non-DALI	-25°C...+45°C/-13F...+113F		
Color temperature	4000K, 5700K, 6500K		
Lens angle (°)	60°, 90°, 120°		
Lifespan (h)	50000		
Housing color	Black		
Color consistency	MacAdam 5		
Lumen maintenance	L80/B50@50.000h at 25°C		
IP Rating	IP65		
Control option	-		
Warranty (years)	5 years		
Efficiency @4000K	127 lm/W		
Luminous flux tolerance	+/- 5%		

## SKU SPECIFICATIONS

Article Number	Dimensions (mm)	CCT (K)	Lumens (lm)	Power (W)	Efficiency (lm/watt)	Lens angle (degrees)	Weight (kg)
1E0000 Attis S/4000/100W/70/A60	230 x 170± 1mm	4000	11895	100W	119	60°	1.8 Kg
1E0001 Attis S/5700/100W/70/A60	230 x 170± 1mm	5700	11895	100W	119	60°	1.8 Kg
1E0002 Attis S/6500/100W/70/A60	230 x 170± 1mm	6500	11895	100W	119	60°	1.8 Kg
1E0003 Attis S/4000/100W/70/A90	230 x 170± 1mm	4000	12550	100W	126	90°	1.8 Kg
1E0004 Attis S/5700/100W/70/A90	230 x 170± 1mm	5700	12550	100W	126	90°	1.8 Kg
1E0005 Attis S/6500/100W/70/A90	230 x 170± 1mm	6500	12550	100W	126	90°	1.8 Kg
1E0006 Attis S/4000/100W/70/A120	230 x 170± 1mm	4000	12585	100W	126	120°	1.8 Kg
1E0007 Attis S/5700/100W/70/A120	230 x 170± 1mm	5700	12585	100W	126	120°	1.8 Kg
1E0008 Attis S/6500/100W/70/A120	230 x 170± 1mm	6500	12585	100W	126	120°	1.8 Kg
1E0009 Attis M/4000/152W/70/A60	285 x 188± 1mm	4000	18505	152W	122	60°	2.5 Kg
1E0010 Attis M/5700/152W/70/A60	285 x 188± 1mm	5700	18505	152W	122	60°	2.5 Kg
1E0011 Attis M/6500/152W/70/A60	285 x 188± 1mm	6500	18505	152W	122	60°	2.5 Kg
1E0012 Attis M/4000/152W/70/A90	285 x 188± 1mm	4000	18835	152W	124	90°	2.5 Kg
1E0013 Attis M/5700/152W/70/A90	285 x 188± 1mm	5700	18835	152W	124	90°	2.5 Kg
1E0014 Attis M/6500/152W/70/A90	285 x 188± 1mm	6500	18835	152W	124	90°	2.5 Kg
1E0015 Attis M/4000/152W/70/A120	285 x 188± 1mm	4000	19200	152W	127	120°	2.5 Kg
1E0016 Attis M/5700/152W/70/A120	285 x 188± 1mm	5700	19200	152W	127	120°	2.5 Kg
1E0017 Attis M/6500/152W/70/A120	285 x 188± 1mm	6500	19200	152W	127	120°	2.5 Kg
1E0018 Attis L/4000/192W/70/A60	330 x 193± 1mm	4000	22250	192W	116	60°	3.2 Kg
1E0019 Attis L/5700/192W/70/A60	330 x 193± 1mm	5700	22250	192W	116	60°	3.2 Kg
1E0020 Attis L/6500/192W/70/A60	330 x 193± 1mm	6500	22250	192W	116	60°	3.2 Kg
1E0021 Attis L/4000/192W/70/A90	330 x 193± 1mm	4000	22650	192W	118	90°	3.2 Kg
1E0022 Attis L/5700/192W/70/A90	330 x 193± 1mm	5700	22650	192W	118	90°	3.2 Kg
1E0023 Attis L/6500/192W/70/A90	330 x 193± 1mm	6500	22650	192W	118	90°	3.2 Kg
1E0024 Attis L/4000/192W/70/A120	330 x 193± 1mm	4000	22820	192W	119	120°	3.2 Kg
1E0025 Attis L/5700/192W/70/A120	330 x 193± 1mm	5700	22820	192W	119	120°	3.2 Kg
1E0026 Attis L/6500/192W/70/A120	330 x 193± 1mm	6500	22820	192W	119	120°	3.2 Kg