



Dalia

TRACK SPOTLIGHTS | NON-DALI SERIES

Spotlight with one LED spotlight units, "mini" construction size. Dalia is equipped with a lens system for high quality accent lighting in museums and exhibition spaces.

The low voltage adapter contains the electronics that converts constant voltage (48 V) to constant current for the luminaire. It rotates through 360°, pivots through 90°. Easy to mount without tools to the low voltage track.

Dalia has several series, determined by various add-on and controls:

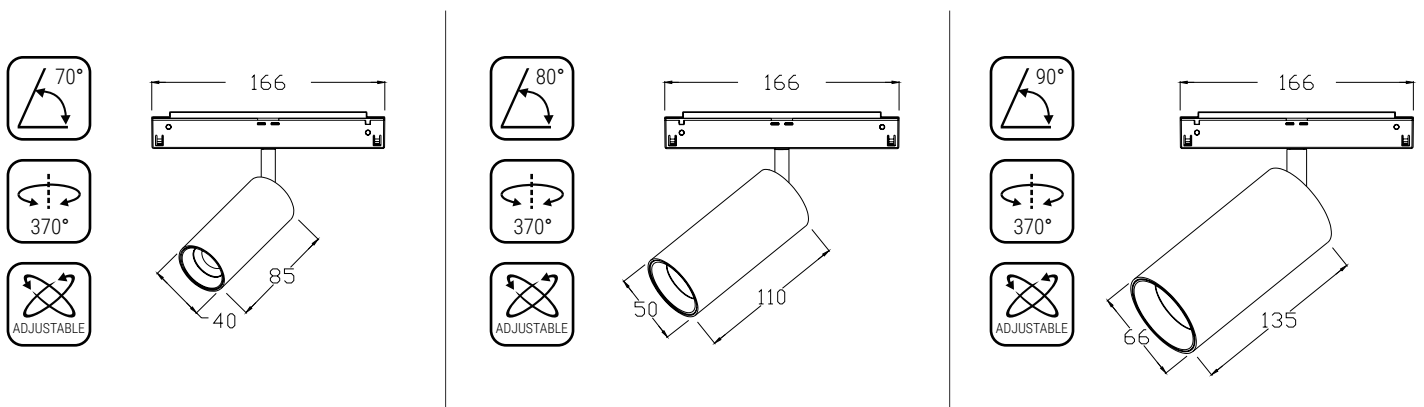
- Dalia Non-DALI: the standard for any project in the retail sector
- Dalia DALI: with DALI controls for illumination adjustment

FEATURES & BENEFITS

- CRI > 80 as standard, up to 93 for certain special colors
- 8 color temperatures, including specialized options for ambiance and AGI light
- Long rated life: L90/B10@50.000h
- Luminaire efficiency: 117 lm/W @4000K
- Dimmable (for DALI Series)

APPLICATION

Grocery & Supermarket | Retail | Art & Exhibition



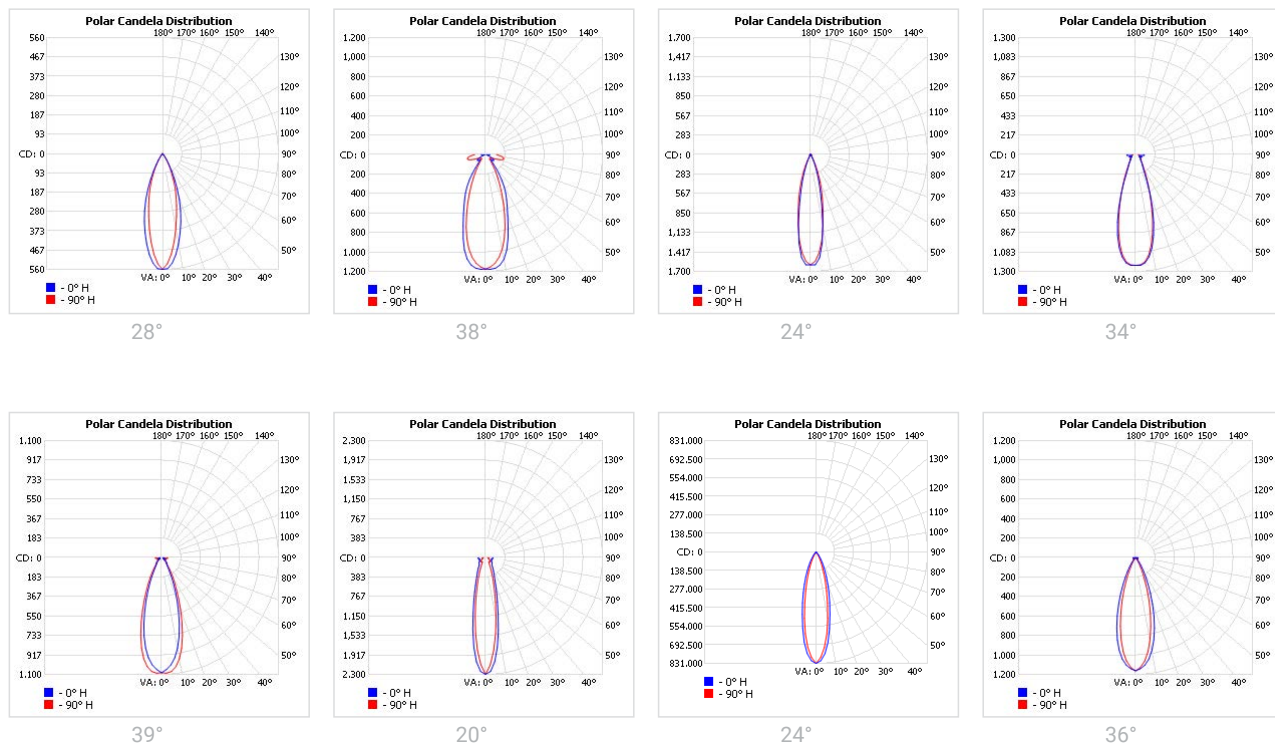
SPECIFICATIONS

Power consumption	4W, 7W, 9W, 10W	4W, 5W, 7W, 10W, 11W, 14W	7W, 9W, 10W, 13W, 15W, 17W, 18W
Dimensions	Ø40x85±1mm	Ø50x110±1mm	Ø58x130±1mm
Weight	0.3 Kg	0.4 Kg	0.5 Kg
Housing materials	Aluminium, Glass		
IK code	IK02		
Protection class	Safety class 1		
Operating temperature [°C]	-20°C ... +45°C / -4F ... +113F		
Operating humidity [%]	10 ÷ 85		
AC Input [Vac]	48 Vdc		
Lens angle [°]	28°, 38°	24°, 34°, 39°	20°, 24°, 36°
Lifespan [h]	50,000		
Housing color	○ RAL 9016 - traffic white, ● RAL 9005 - jet black		
Lumen maintenance	L90/B10@50.000h at 25°C		
IP factor	IP20		
Control optional	-		
Warranty [years]	5		
Storage temperature range [°C]	-20°C ... +55°C / -4F ... +131F		
Emergency option	-		

Light application	Standard	AMB	AGI
CRI	CRI 80	CRI 80	CRI 93
CCT [K]	2700K/3000K/3500K/4000K	2200K	AGI3000/AGI3500/AGI4000
MacAdam	3	3	3

CRI - Color rendering, CCT - Color temperature, MacAdam - Color consistency

LIGHT DISTRIBUTION



RISK GROUP

RG1

The evaluation of photobiological safety is carried out according to the standard IEC 62471:2008 ("Photobiological safety of lamps and lamp systems"). Following the definition of the risk grouping system of the mentioned IEC standard, the LEDs mounted on this family fall into the class "Low Risk (RG1 – No photobiological hazard under normal behavioral limitations)". Under real circumstances (regarding exposure time, pupils, observation distance), it is assumed that there is no endangerment to the eye from these devices. As a matter of principle, however, it should be mentioned that intense light sources have a high secondary exposure potential due to their blinding effect.

SKU SPECIFICATIONS

Product Code	Dimensions (mm)	CCT (K)	Lumens (lm)	Power (W)	Eff. (lm/watt)	Lens Angle (°)
CRI 80						
1A8000 Dalia S AG9101/2700/4W/80/A28	Ø40x85±1mm	2700	325	4W	82	28°
1A8001 Dalia S AG9101/3000/4W/80/A28	Ø40x85±1mm	3000	345	4W	87	28°
1A8002 Dalia S AG9101/3500/4W/80/A28	Ø40x85±1mm	3500	355	4W	89	28°
1A8003 Dalia S AG9101/4000/4W/80/A28	Ø40x85±1mm	4000	360	4W	90	28°
1A8004 Dalia S AG9101/2700/4W/80/A38	Ø40x85±1mm	2700	325	4W	82	38°
1A8005 Dalia S AG9101/3000/4W/80/A38	Ø40x85±1mm	3000	345	4W	87	38°
1A8006 Dalia S AG9101/3500/4W/80/A38	Ø40x85±1mm	3500	355	4W	89	38°
1A8007 Dalia S AG9101/4000/4W/80/A38	Ø40x85±1mm	4000	360	4W	90	38°
1A8008 Dalia S AG9101/2700/9W/80/A28	Ø40x85±1mm	2700	705	9W	79	28°
1A8009 Dalia S AG9101/3000/9W/80/A28	Ø40x85±1mm	3000	740	9W	83	28°
1A8010 Dalia S AG9101/3500/9W/80/A28	Ø40x85±1mm	3500	760	9W	85	28°
1A8011 Dalia S AG9101/4000/9W/80/A28	Ø40x85±1mm	4000	775	9W	87	28°
1A8012 Dalia S AG9101/2700/9W/80/A38	Ø40x85±1mm	2700	705	9W	79	38°
1A8013 Dalia S AG9101/3000/9W/80/A38	Ø40x85±1mm	3000	740	9W	83	38°
1A8014 Dalia S AG9101/3500/9W/80/A38	Ø40x85±1mm	3500	760	9W	85	38°
1A8015 Dalia S AG9101/4000/9W/80/A38	Ø40x85±1mm	4000	775	9W	87	38°
1A8016 Dalia M AG9102/2700/5W/80/A24	Ø50x110±1mm	2700	485	5W	97	24°
1A8017 Dalia M AG9102/3000/5W/80/A24	Ø50x110±1mm	3000	510	5W	102	24°
1A8018 Dalia M AG9102/3500/5W/80/A24	Ø50x110±1mm	3500	525	5W	105	24°
1A8019 Dalia M AG9102/4000/5W/80/A24	Ø50x110±1mm	4000	535	5W	107	24°
1A8020 Dalia M AG9102/2700/5W/80/A34	Ø50x110±1mm	2700	485	5W	97	34°
1A8021 Dalia M AG9102/3000/5W/80/A34	Ø50x110±1mm	3000	510	5W	102	34°
1A8022 Dalia M AG9102/3500/5W/80/A34	Ø50x110±1mm	3500	525	5W	105	34°
1A8023 Dalia M AG9102/4000/5W/80/A34	Ø50x110±1mm	4000	535	5W	107	34°
1A8024 Dalia M AG9102/2700/5W/80/A39	Ø50x110±1mm	2700	485	5W	97	39°
1A8025 Dalia M AG9102/3000/5W/80/A39	Ø50x110±1mm	3000	510	5W	102	39°
1A8026 Dalia M AG9102/3500/5W/80/A39	Ø50x110±1mm	3500	525	5W	105	39°
1A8027 Dalia M AG9102/4000/5W/80/A39	Ø50x110±1mm	4000	535	5W	107	39°
1A8028 Dalia M AG9102/2700/10W/80/A24	Ø50x110±1mm	2700	860	10W	96	24°
1A8029 Dalia M AG9102/3000/10W/80/A24	Ø50x110±1mm	3000	900	10W	100	24°
1A8030 Dalia M AG9102/3500/10W/80/A24	Ø50x110±1mm	3500	930	10W	104	24°
1A8031 Dalia M AG9102/4000/10W/80/A24	Ø50x110±1mm	4000	945	10W	105	24°
1A8032 Dalia M AG9102/2700/10W/80/A34	Ø50x110±1mm	2700	860	10W	96	34°
1A8033 Dalia M AG9102/3000/10W/80/A34	Ø50x110±1mm	3000	900	10W	100	34°
1A8034 Dalia M AG9102/3500/10W/80/A34	Ø50x110±1mm	3500	930	10W	104	34°
1A8035 Dalia M AG9102/4000/10W/80/A34	Ø50x110±1mm	4000	945	10W	105	34°
1A8036 Dalia M AG9102/2700/10W/80/A39	Ø50x110±1mm	2700	860	10W	96	39°
1A8037 Dalia M AG9102/3000/10W/80/A39	Ø50x110±1mm	3000	900	10W	100	39°
1A8038 Dalia M AG9102/3500/10W/80/A39	Ø50x110±1mm	3500	930	10W	104	39°
1A8039 Dalia M AG9102/4000/10W/80/A39	Ø50x110±1mm	4000	945	10W	105	39°
1A8040 Dalia M AG9102/2700/14W/80/A24	Ø50x110±1mm	2700	1170	14W	90	24°
1A8041 Dalia M AG9102/3000/14W/80/A24	Ø50x110±1mm	3000	1230	14W	95	24°
1A8042 Dalia M AG9102/3500/14W/80/A24	Ø50x110±1mm	3500	1265	14W	98	24°
1A8043 Dalia M AG9102/4000/14W/80/A24	Ø50x110±1mm	4000	1290	14W	100	24°
1A8044 Dalia M AG9102/2700/14W/80/A34	Ø50x110±1mm	2700	1170	14W	90	34°
1A8045 Dalia M AG9102/3000/14W/80/A34	Ø50x110±1mm	3000	1230	14W	95	34°
1A8046 Dalia M AG9102/3500/14W/80/A34	Ø50x110±1mm	3500	1265	14W	98	34°
1A8047 Dalia M AG9102/4000/14W/80/A34	Ø50x110±1mm	4000	1290	14W	100	34°
1A8048 Dalia M AG9102/2700/14W/80/A39	Ø50x110±1mm	2700	1170	14W	90	39°
1A8049 Dalia M AG9102/3000/14W/80/A39	Ø50x110±1mm	3000	1230	14W	95	39°

SKU SPECIFICATIONS

Product Code	Dimensions (mm)	CCT (K)	Lumens (lm)	Power (W)	Eff. (lm/watt)	Lens Angle (°)
CRI 80						
1A8050 Dalia M AG9102/3500/14W/80/A39	Ø50x110±1mm	3500	1265	14W	98	39°
1A8051 Dalia M AG9102/4000/14W/80/A39	Ø50x110±1mm	4000	1290	14W	100	39°
1A8052 Dalia L AG9103/2700/9W/80/A20	Ø58x130±1mm	2700	515	9W	103	20°
1A8053 Dalia L AG9103/3000/9W/80/A20	Ø58x130±1mm	3000	540	9W	108	20°
1A8054 Dalia L AG9103/3500/9W/80/A20	Ø58x130±1mm	3500	555	9W	111	20°
1A8055 Dalia L AG9103/4000/9W/80/A20	Ø58x130±1mm	4000	565	9W	113	20°
1A8056 Dalia L AG9103/2700/9W/80/A24	Ø58x130±1mm	2700	515	9W	103	24°
1A8057 Dalia L AG9103/3000/9W/80/A24	Ø58x130±1mm	3000	540	9W	108	24°
1A8058 Dalia L AG9103/3500/9W/80/A24	Ø58x130±1mm	3500	555	9W	111	24°
1A8059 Dalia L AG9103/4000/9W/80/A24	Ø58x130±1mm	4000	565	9W	113	24°
1A8060 Dalia L AG9103/2700/9W/80/A36	Ø58x130±1mm	2700	515	9W	103	36°
1A8061 Dalia L AG9103/3000/9W/80/A36	Ø58x130±1mm	3000	540	9W	108	36°
1A8062 Dalia L AG9103/3500/9W/80/A36	Ø58x130±1mm	3500	555	9W	111	36°
1A8063 Dalia L AG9103/4000/9W/80/A36	Ø58x130±1mm	4000	565	9W	113	36°
1A8064 Dalia L AG9103/2700/13W/80/A20	Ø58x130±1mm	2700	950	13W	106	20°
1A8065 Dalia L AG9103/3000/13W/80/A20	Ø58x130±1mm	3000	1000	13W	112	20°
1A8066 Dalia L AG9103/3500/13W/80/A20	Ø58x130±1mm	3500	1025	13W	114	20°
1A8067 Dalia L AG9103/4000/13W/80/A20	Ø58x130±1mm	4000	1050	13W	117	20°
1A8068 Dalia L AG9103/2700/13W/80/A24	Ø58x130±1mm	2700	950	13W	106	24°
1A8069 Dalia L AG9103/3000/13W/80/A24	Ø58x130±1mm	3000	1000	13W	112	24°
1A8070 Dalia L AG9103/3500/13W/80/A24	Ø58x130±1mm	3500	1025	13W	114	24°
1A8071 Dalia L AG9103/4000/13W/80/A24	Ø58x130±1mm	4000	1050	13W	117	24°
1A8072 Dalia L AG9103/2700/13W/80/A36	Ø58x130±1mm	2700	950	13W	106	36°
1A8073 Dalia L AG9103/3000/13W/80/A36	Ø58x130±1mm	3000	1000	13W	112	36°
1A8074 Dalia L AG9103/3500/13W/80/A36	Ø58x130±1mm	3500	1025	13W	114	36°
1A8075 Dalia L AG9103/4000/13W/80/A36	Ø58x130±1mm	4000	1050	13W	117	36°
1A8076 Dalia L AG9103/2700/17W/80/A20	Ø58x130±1mm	2700	1280	17W	99	20°
1A8077 Dalia L AG9103/3000/17W/80/A20	Ø58x130±1mm	3000	1345	17W	104	20°
1A8078 Dalia L AG9103/3500/17W/80/A20	Ø58x130±1mm	3500	1385	17W	107	20°
1A8079 Dalia L AG9103/4000/17W/80/A20	Ø58x130±1mm	4000	1415	17W	109	20°
1A8080 Dalia L AG9103/2700/17W/80/A24	Ø58x130±1mm	2700	1280	17W	99	24°
1A8081 Dalia L AG9103/3000/17W/80/A24	Ø58x130±1mm	3000	1345	17W	104	24°
1A8082 Dalia L AG9103/3500/17W/80/A24	Ø58x130±1mm	3500	1385	17W	107	24°
1A8083 Dalia L AG9103/4000/17W/80/A24	Ø58x130±1mm	4000	1415	17W	109	24°
1A8084 Dalia L AG9103/2700/17W/80/A36	Ø58x130±1mm	2700	1280	17W	99	36°
1A8085 Dalia L AG9103/3000/17W/80/A36	Ø58x130±1mm	3000	1345	17W	104	36°
1A8086 Dalia L AG9103/3500/17W/80/A36	Ø58x130±1mm	3500	1385	17W	107	36°
1A8087 Dalia L AG9103/4000/17W/80/A36	Ø58x130±1mm	4000	1415	17W	109	36°
1A8088 Dalia S AG9101/AMB2200/4W/80/A28	Ø40x85±1mm	AMB2200	280	4W	70	28°
1A8089 Dalia S AG9101/AMB2200/4W/80/A38	Ø40x85±1mm	AMB2200	280	4W	70	38°
1A8090 Dalia S AG9101/AMB2200/9W/80/A28	Ø40x85±1mm	AMB2200	610	9W	68	28°
1A8091 Dalia S AG9101/AMB2200/9W/80/A38	Ø40x85±1mm	AMB2200	610	9W	68	38°
1A8092 Dalia M AG9102/AMB2200/5W/80/A24	Ø50x110±1mm	AMB2200	380	5W	76	24°
1A8093 Dalia M AG9102/AMB2200/5W/80/A34	Ø50x110±1mm	AMB2200	380	5W	76	34°
1A8094 Dalia M AG9102/AMB2200/5W/80/A39	Ø50x110±1mm	AMB2200	380	5W	76	39°
1A8095 Dalia M AG9102/AMB2200/10W/80/A24	Ø50x110±1mm	AMB2200	705	10W	71	24°
1A8096 Dalia M AG9102/AMB2200/10W/80/A34	Ø50x110±1mm	AMB2200	705	10W	71	34°
1A8097 Dalia M AG9102/AMB2200/10W/80/A39	Ø50x110±1mm	AMB2200	705	10W	71	39°
1A8098 Dalia M AG9102/AMB2200/14W/80/A24	Ø50x110±1mm	AMB2200	935	14W	67	24°
1A8099 Dalia M AG9102/AMB2200/14W/80/A34	Ø50x110±1mm	AMB2200	935	14W	67	34°

SKU SPECIFICATIONS

Product Code	Dimensions (mm)	CCT (K)	Lumens (lm)	Power (W)	Eff. (lm/watt)	Lens Angle (°)
CRI 80						
1A8100 Dalia M AG9102/AMB2200/14W/80/A39	Ø50x110±1mm	AMB2200	935	14W	67	39°
1A8101 Dalia L AG9103/AMB2200/9W/80/A20	Ø58x130±1mm	AMB2200	345	9W	87	20°
1A8102 Dalia L AG9103/AMB2200/9W/80/A24	Ø58x130±1mm	AMB2200	345	9W	87	24°
1A8103 Dalia L AG9103/AMB2200/9W/80/A36	Ø58x130±1mm	AMB2200	345	9W	87	36°
1A8104 Dalia L AG9103/AMB2200/13W/80/A20	Ø58x130±1mm	AMB2200	745	13W	83	20°
1A8105 Dalia L AG9103/AMB2200/13W/80/A24	Ø58x130±1mm	AMB2200	745	13W	83	24°
1A8106 Dalia L AG9103/AMB2200/13W/80/A36	Ø58x130±1mm	AMB2200	745	13W	83	36°
1A8107 Dalia L AG9103/AMB2200/18W/80/A20	Ø58x130±1mm	AMB2200	995	18W	77	20°
1A8108 Dalia L AG9103/AMB2200/18W/80/A24	Ø58x130±1mm	AMB2200	995	18W	77	24°
1A8109 Dalia L AG9103/AMB2200/18W/80/A36	Ø58x130±1mm	AMB2200	995	18W	77	36°
CRI 93						
1A8110 Dalia S AG9101/AGI3000/7W/93/A28	Ø40x85±1mm	AGI3000	375	7W	54	28°
1A8111 Dalia S AG9101/AGI3500/7W/93/A28	Ø40x85±1mm	AGI3500	380	7W	55	28°
1A8112 Dalia S AG9101/AGI4000/7W/93/A28	Ø40x85±1mm	AGI4000	390	7W	56	28°
1A8113 Dalia S AG9101/AGI3000/7W/93/A38	Ø40x85±1mm	AGI3000	375	7W	54	38°
1A8114 Dalia S AG9101/AGI3500/7W/93/A38	Ø40x85±1mm	AGI3500	380	7W	55	38°
1A8115 Dalia S AG9101/AGI4000/7W/93/A38	Ø40x85±1mm	AGI4000	390	7W	56	38°
1A8116 Dalia S AG9101/AGI3000/10W/93/A28	Ø40x85±1mm	AGI3000	500	10W	50	28°
1A8117 Dalia S AG9101/AGI3500/10W/93/A28	Ø40x85±1mm	AGI3500	510	10W	51	28°
1A8118 Dalia S AG9101/AGI4000/10W/93/A28	Ø40x85±1mm	AGI4000	520	10W	52	28°
1A8119 Dalia S AG9101/AGI3000/10W/93/A38	Ø40x85±1mm	AGI3000	500	10W	50	38°
1A8120 Dalia S AG9101/AGI3500/10W/93/A38	Ø40x85±1mm	AGI3500	510	10W	51	38°
1A8121 Dalia S AG9101/AGI4000/10W/93/A38	Ø40x85±1mm	AGI4000	520	10W	52	38°
1A8122 Dalia M AG9102/AGI3000/4W/93/A24	Ø50x110±1mm	AGI3000	255	4W	64	24°
1A8123 Dalia M AG9102/AGI3500/4W/93/A24	Ø50x110±1mm	AGI3500	260	4W	65	24°
1A8124 Dalia M AG9102/AGI4000/4W/93/A24	Ø50x110±1mm	AGI4000	265	4W	67	24°
1A8125 Dalia M AG9102/AGI3000/4W/93/A34	Ø50x110±1mm	AGI3000	255	4W	64	34°
1A8126 Dalia M AG9102/AGI3500/4W/93/A34	Ø50x110±1mm	AGI3500	260	4W	65	34°
1A8127 Dalia M AG9102/AGI4000/4W/93/A34	Ø50x110±1mm	AGI4000	265	4W	67	34°
1A8128 Dalia M AG9102/AGI3000/4W/93/A39	Ø50x110±1mm	AGI3000	255	4W	64	39°
1A8129 Dalia M AG9102/AGI3500/4W/93/A39	Ø50x110±1mm	AGI3500	260	4W	65	39°
1A8130 Dalia M AG9102/AGI4000/4W/93/A39	Ø50x110±1mm	AGI4000	265	4W	67	39°
1A8131 Dalia M AG9102/AGI3000/7W/93/A24	Ø50x110±1mm	AGI3000	460	7W	66	24°
1A8132 Dalia M AG9102/AGI3500/7W/93/A24	Ø50x110±1mm	AGI3500	470	7W	68	24°
1A8133 Dalia M AG9102/AGI4000/7W/93/A24	Ø50x110±1mm	AGI4000	480	7W	69	24°
1A8134 Dalia M AG9102/AGI3000/7W/93/A34	Ø50x110±1mm	AGI3000	460	7W	66	34°
1A8135 Dalia M AG9102/AGI3500/7W/93/A34	Ø50x110±1mm	AGI3500	470	7W	68	34°
1A8136 Dalia M AG9102/AGI4000/7W/93/A34	Ø50x110±1mm	AGI4000	480	7W	69	34°
1A8137 Dalia M AG9102/AGI3000/7W/93/A39	Ø50x110±1mm	AGI3000	460	7W	66	39°
1A8138 Dalia M AG9102/AGI3500/7W/93/A39	Ø50x110±1mm	AGI3500	470	7W	68	39°
1A8139 Dalia M AG9102/AGI4000/7W/93/A39	Ø50x110±1mm	AGI4000	480	7W	69	39°
1A8140 Dalia M AG9102/AGI3000/11W/93/A24	Ø50x110±1mm	AGI3000	615	11W	56	24°
1A8141 Dalia M AG9102/AGI3500/11W/93/A24	Ø50x110±1mm	AGI3500	625	11W	57	24°
1A8142 Dalia M AG9102/AGI4000/11W/93/A24	Ø50x110±1mm	AGI4000	640	11W	59	24°
1A8143 Dalia M AG9102/AGI3000/11W/93/A34	Ø50x110±1mm	AGI3000	615	11W	56	34°
1A8144 Dalia M AG9102/AGI3500/11W/93/A34	Ø50x110±1mm	AGI3500	625	11W	57	34°
1A8145 Dalia M AG9102/AGI4000/11W/93/A34	Ø50x110±1mm	AGI4000	640	11W	59	34°
1A8146 Dalia M AG9102/AGI3000/11W/93/A39	Ø50x110±1mm	AGI3000	615	11W	56	39°
1A8147 Dalia M AG9102/AGI3500/11W/93/A39	Ø50x110±1mm	AGI3500	625	11W	57	39°

SKU SPECIFICATIONS

Product Code	Dimensions (mm)	CCT (K)	Lumens (lm)	Power (W)	Eff. (lm/watt)	Lens Angle (°)
CRI 93						
1A8148 Dalia M AG9102/AGI4000/11W/93/A39	Ø50x110±1mm	AGI4000	640	11W	59	39°
1A8149 Dalia M AG9102/AGI3000/14W/93/A24	Ø50x110±1mm	AGI3000	745	14W	54	24°
1A8150 Dalia M AG9102/AGI3500/14W/93/A24	Ø50x110±1mm	AGI3500	760	14W	55	24°
1A8151 Dalia M AG9102/AGI4000/14W/93/A24	Ø50x110±1mm	AGI4000	775	14W	56	24°
1A8152 Dalia M AG9102/AGI3000/14W/93/A34	Ø50x110±1mm	AGI3000	745	14W	54	34°
1A8153 Dalia M AG9102/AGI3500/14W/93/A34	Ø50x110±1mm	AGI3500	760	14W	55	34°
1A8154 Dalia M AG9102/AGI4000/14W/93/A34	Ø50x110±1mm	AGI4000	775	14W	56	34°
1A8155 Dalia M AG9102/AGI3000/14W/93/A39	Ø50x110±1mm	AGI3000	745	14W	54	39°
1A8156 Dalia M AG9102/AGI3500/14W/93/A39	Ø50x110±1mm	AGI3500	760	14W	55	39°
1A8157 Dalia M AG9102/AGI4000/14W/93/A39	Ø50x110±1mm	AGI4000	775	14W	56	39°
1A8158 Dalia L AG9103/AGI3000/7W/93/A20	Ø58x130±1mm	AGI3000	485	7W	70	20°
1A8159 Dalia L AG9103/AGI3500/7W/93/A20	Ø58x130±1mm	AGI3500	495	7W	71	20°
1A8160 Dalia L AG9103/AGI4000/7W/93/A20	Ø58x130±1mm	AGI4000	505	7W	73	20°
1A8161 Dalia L AG9103/AGI3000/7W/93/A24	Ø58x130±1mm	AGI3000	485	7W	70	24°
1A8162 Dalia L AG9103/AGI3500/7W/93/A24	Ø58x130±1mm	AGI3500	495	7W	71	24°
1A8163 Dalia L AG9103/AGI4000/7W/93/A24	Ø58x130±1mm	AGI4000	505	7W	73	24°
1A8164 Dalia L AG9103/AGI3000/7W/93/A36	Ø58x130±1mm	AGI3000	485	7W	70	36°
1A8165 Dalia L AG9103/AGI3500/7W/93/A36	Ø58x130±1mm	AGI3500	495	7W	71	36°
1A8166 Dalia L AG9103/AGI4000/7W/93/A36	Ø58x130±1mm	AGI4000	505	7W	73	36°
1A8167 Dalia L AG9103/AGI3000/10W/93/A20	Ø58x130±1mm	AGI3000	645	10W	65	20°
1A8168 Dalia L AG9103/AGI3500/10W/93/A20	Ø58x130±1mm	AGI3500	660	10W	66	20°
1A8169 Dalia L AG9103/AGI4000/10W/93/A20	Ø58x130±1mm	AGI4000	670	10W	67	20°
1A8170 Dalia L AG9103/AGI3000/10W/93/A24	Ø58x130±1mm	AGI3000	645	10W	65	24°
1A8171 Dalia L AG9103/AGI3500/10W/93/A24	Ø58x130±1mm	AGI3500	660	10W	66	24°
1A8172 Dalia L AG9103/AGI4000/10W/93/A24	Ø58x130±1mm	AGI4000	670	10W	67	24°
1A8173 Dalia L AG9103/AGI3000/10W/93/A36	Ø58x130±1mm	AGI3000	645	10W	65	36°
1A8174 Dalia L AG9103/AGI3500/10W/93/A36	Ø58x130±1mm	AGI3500	660	10W	66	36°
1A8175 Dalia L AG9103/AGI4000/10W/93/A36	Ø58x130±1mm	AGI4000	670	10W	67	36°
1A8176 Dalia L AG9103/AGI3000/13W/93/A20	Ø58x130±1mm	AGI3000	795	13W	62	20°
1A8177 Dalia L AG9103/AGI3500/13W/93/A20	Ø58x130±1mm	AGI3500	810	13W	63	20°
1A8178 Dalia L AG9103/AGI4000/13W/93/A20	Ø58x130±1mm	AGI4000	830	13W	64	20°
1A8179 Dalia L AG9103/AGI3000/13W/93/A24	Ø58x130±1mm	AGI3000	795	13W	62	24°
1A8180 Dalia L AG9103/AGI3500/13W/93/A24	Ø58x130±1mm	AGI3500	810	13W	63	24°
1A8181 Dalia L AG9103/AGI4000/13W/93/A24	Ø58x130±1mm	AGI4000	830	13W	64	24°
1A8182 Dalia L AG9103/AGI3000/13W/93/A36	Ø58x130±1mm	AGI3000	795	13W	62	36°
1A8183 Dalia L AG9103/AGI3500/13W/93/A36	Ø58x130±1mm	AGI3500	810	13W	63	36°
1A8184 Dalia L AG9103/AGI4000/13W/93/A36	Ø58x130±1mm	AGI4000	830	13W	64	36°
1A8185 Dalia L AG9103/AGI3000/15W/93/A20	Ø58x130±1mm	AGI3000	855	15W	57	20°
1A8186 Dalia L AG9103/AGI3500/15W/93/A20	Ø58x130±1mm	AGI3500	875	15W	59	20°
1A8187 Dalia L AG9103/AGI4000/15W/93/A20	Ø58x130±1mm	AGI4000	890	15W	60	20°
1A8188 Dalia L AG9103/AGI3000/15W/93/A24	Ø58x130±1mm	AGI3000	855	15W	57	24°
1A8189 Dalia L AG9103/AGI3500/15W/93/A24	Ø58x130±1mm	AGI3500	875	15W	59	24°
1A8190 Dalia L AG9103/AGI4000/15W/93/A24	Ø58x130±1mm	AGI4000	890	15W	60	24°
1A8191 Dalia L AG9103/AGI3000/15W/93/A36	Ø58x130±1mm	AGI3000	855	15W	57	36°
1A8192 Dalia L AG9103/AGI3500/15W/93/A36	Ø58x130±1mm	AGI3500	875	15W	59	36°
1A8193 Dalia L AG9103/AGI4000/15W/93/A36	Ø58x130±1mm	AGI4000	890	15W	60	36°

Technical specifications can be modified without prior notice. All information is property of Greentek Lighting.

The presentation picture is for information purposes only. Latest document update: January 13, 2022 4:42 PM. www.greentek.eu