



## Dalia 2

### TRACK SPOTLIGHTS | NON-DALI SERIES

Spotlight with two LED spotlight units, "mini" construction size. Dalia 2 is equipped with a lens system for high quality accent lighting in museums and exhibition spaces.

The low voltage adapter contains the electronics that converts constant voltage (48 V) to constant current for the luminaire. It rotates through 360°, pivots through 90°. Easy to mount without tools to the low voltage track.

Dalia 2 has several series, determined by various add-on and controls:

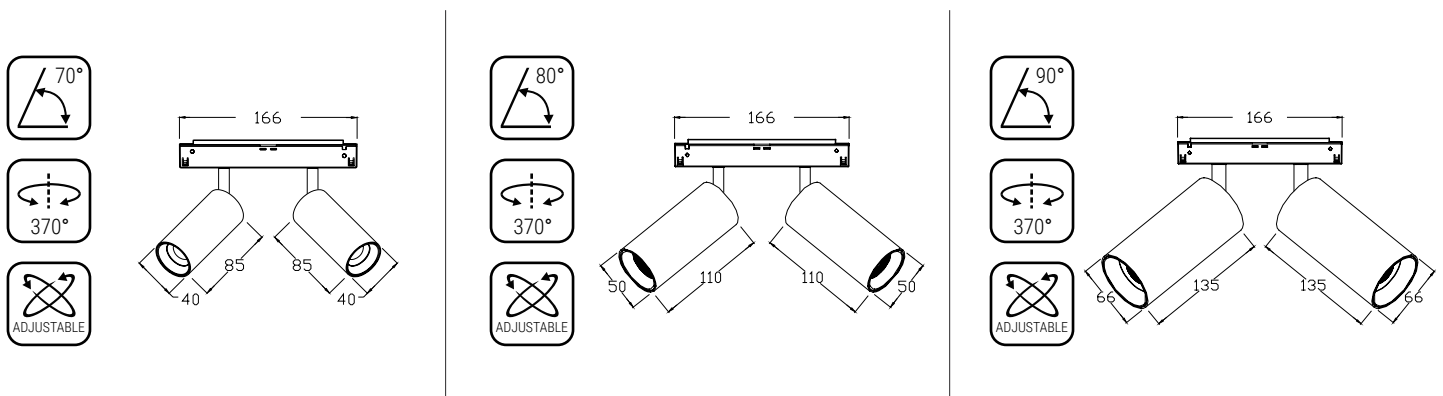
- Dalia 2 Non-DALI: the standard for any project in the retail sector
- Dalia 2 DALI: with DALI controls for illumination adjustment

### APPLICATION

Grocery & Supermarket | Retail | Art & Exhibition

### FEATURES & BENEFITS

- CRI > 80 as standard, up to 93 for certain special colors
- 8 color temperatures, including specialized options for ambiance and AGI light
- Long rated life: L90/B10@50.000h
- Luminaire efficiency: 117 lm/W @4000K
- Dimmable (only for DALI Series)



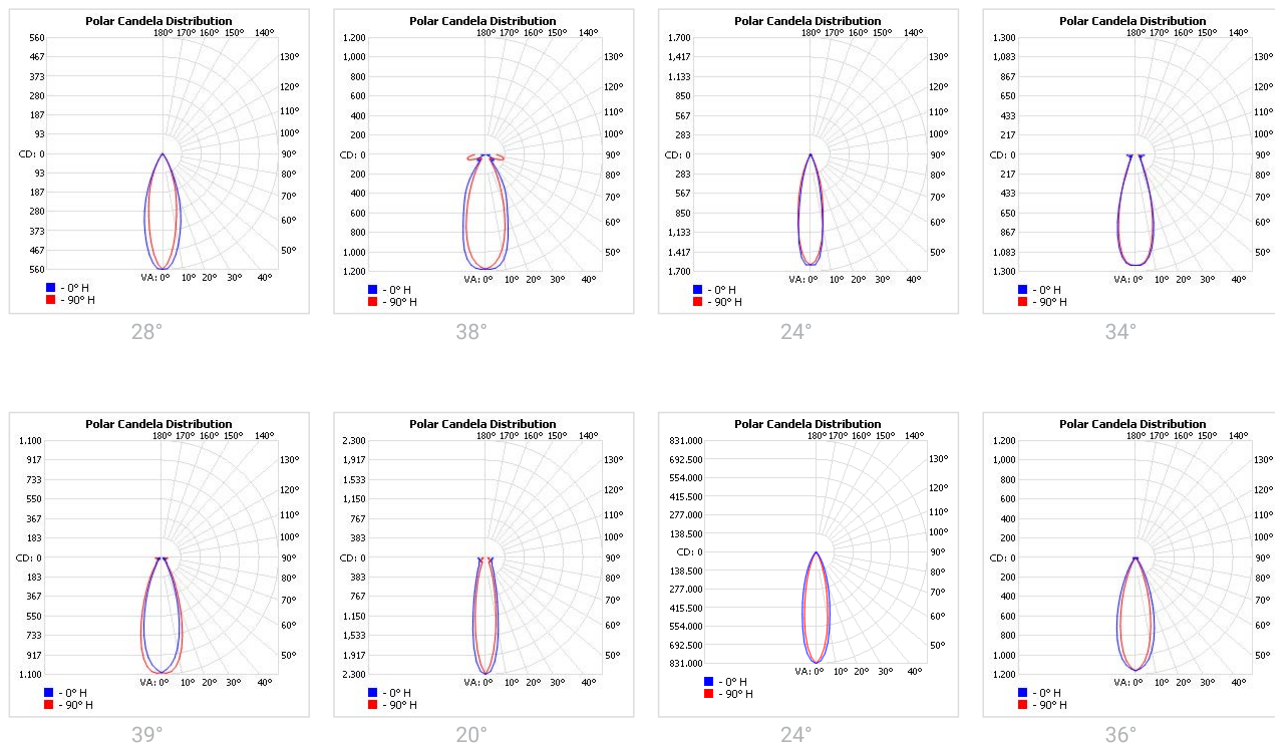
SPECIFICATIONS

Power consumption	8W, 14W, 18W, 20W	8W, 10W, 14W, 20W, 22W, 28W	14W, 18W, 20W, 26W, 30W, 34W, 36W
Dimensions	Ø40x85±1mm X2	Ø50x110±1mm X2	Ø58x130±1mm X2
Weight	0.6 Kg	0.8 Kg	1 Kg
Housing materials	Aluminium, Glass		
IK code	IK02		
Protection class	Safety class 1		
Operating temperature [°C]	-20°C ... +45°C / -4F ... +113F		
Operating humidity [%]	10 ÷ 85		
AC Input [Vac]	48 Vdc		
Lens angle [°]	28°, 38°	24°, 34°, 39°	20°, 24°, 36°
Lifespan [h]	50,000		
Housing color	○ RAL 9016 - traffic white, ● RAL 9005 - jet black		
Lumen maintenance	L90/B10@50.000h at 25°C		
IP factor	IP20		
Control optional	-		
Warranty [years]	5		
Storage temperature range [°C]	-20°C ... +55°C / -4F ... +131F		
Emergency option	-		

Light application	Standard	AMB	AGI
CRI	CRI 80	CRI 80	CRI 93
CCT [K]	2700K/3000K/3500K/4000K	2200K	AGI3000/AGI3500/AGI4000
MacAdam	3	3	3

CRI - Color rendering, CCT - Color temperature, MacAdam - Color consistency

LIGHT DISTRIBUTION



**RISK GROUP**

---

**RG1**

The evaluation of photobiological safety is carried out according to the standard IEC 62471:2008 ("Photobiological safety of lamps and lamp systems"). Following the definition of the risk grouping system of the mentioned IEC standard, the LEDs mounted on this family fall into the class "Low Risk (RG1 – No photobiological hazard under normal behavioral limitations)". Under real circumstances (regarding exposure time, pupils, observation distance), it is assumed that there is no endangerment to the eye from these devices. As a matter of principle, however, it should be mentioned that intense light sources have a high secondary exposure potential due to their blinding effect.

## SKU SPECIFICATIONS

Product Code	Dimensions (mm)	CCT (K)	Lumens (lm)	Power (W)	Eff. (lm/watt)	Lens Angle (°)
<b>CRI 80</b>						
1A8500 Dalia 2S AG9101X2/2700/8W/80/A28	Ø40x85±1mm X2	2700	650	8W	82	28°
1A8501 Dalia 2S AG9101X2/3000/8W/80/A28	Ø40x85±1mm X2	3000	690	8W	87	28°
1A8502 Dalia 2S AG9101X2/3500/8W/80/A28	Ø40x85±1mm X2	3500	710	8W	89	28°
1A8503 Dalia 2S AG9101X2/4000/8W/80/A28	Ø40x85±1mm X2	4000	720	8W	90	28°
1A8504 Dalia 2S AG9101X2/2700/8W/80/A38	Ø40x85±1mm X2	2700	650	8W	82	38°
1A8505 Dalia 2S AG9101X2/3000/8W/80/A38	Ø40x85±1mm X2	3000	690	8W	87	38°
1A8506 Dalia 2S AG9101X2/3500/8W/80/A38	Ø40x85±1mm X2	3500	710	8W	89	38°
1A8507 Dalia 2S AG9101X2/4000/8W/80/A38	Ø40x85±1mm X2	4000	720	8W	90	38°
1A8508 Dalia 2S AG9101X2/2700/18W/80/A28	Ø40x85±1mm X2	2700	1410	18W	79	28°
1A8509 Dalia 2S AG9101X2/3000/18W/80/A28	Ø40x85±1mm X2	3000	1480	18W	83	28°
1A8510 Dalia 2S AG9101X2/3500/18W/80/A28	Ø40x85±1mm X2	3500	1520	18W	85	28°
1A8511 Dalia 2S AG9101X2/4000/18W/80/A28	Ø40x85±1mm X2	4000	1550	18W	87	28°
1A8512 Dalia 2S AG9101X2/2700/18W/80/A38	Ø40x85±1mm X2	2700	1410	18W	79	38°
1A8513 Dalia 2S AG9101X2/3000/18W/80/A38	Ø40x85±1mm X2	3000	1480	18W	83	38°
1A8514 Dalia 2S AG9101X2/3500/18W/80/A38	Ø40x85±1mm X2	3500	1520	18W	85	38°
1A8515 Dalia 2S AG9101X2/4000/18W/80/A38	Ø40x85±1mm X2	4000	1550	18W	87	38°
1A8516 Dalia 2M AG9102X2/2700/10W/80/A24	Ø50x110±1mm X2	2700	970	10W	97	24°
1A8517 Dalia 2M AG9102X2/3000/10W/80/A24	Ø50x110±1mm X2	3000	1020	10W	102	24°
1A8518 Dalia 2M AG9102X2/3500/10W/80/A24	Ø50x110±1mm X2	3500	1050	10W	105	24°
1A8519 Dalia 2M AG9102X2/4000/10W/80/A24	Ø50x110±1mm X2	4000	1070	10W	107	24°
1A8520 Dalia 2M AG9102X2/2700/10W/80/A34	Ø50x110±1mm X2	2700	970	10W	97	34°
1A8521 Dalia 2M AG9102X2/3000/10W/80/A34	Ø50x110±1mm X2	3000	1020	10W	102	34°
1A8522 Dalia 2M AG9102X2/3500/10W/80/A34	Ø50x110±1mm X2	3500	1050	10W	105	34°
1A8523 Dalia 2M AG9102X2/4000/10W/80/A34	Ø50x110±1mm X2	4000	1070	10W	107	34°
1A8524 Dalia 2M AG9102X2/2700/10W/80/A39	Ø50x110±1mm X2	2700	970	10W	97	39°
1A8525 Dalia 2M AG9102X2/3000/10W/80/A39	Ø50x110±1mm X2	3000	1020	10W	102	39°
1A8526 Dalia 2M AG9102X2/3500/10W/80/A39	Ø50x110±1mm X2	3500	1050	10W	105	39°
1A8527 Dalia 2M AG9102X2/4000/10W/80/A39	Ø50x110±1mm X2	4000	1070	10W	107	39°
1A8528 Dalia 2M AG9102X2/2700/20W/80/A24	Ø50x110±1mm X2	2700	1720	20W	96	24°
1A8529 Dalia 2M AG9102X2/3000/20W/80/A24	Ø50x110±1mm X2	3000	1800	20W	100	24°
1A8530 Dalia 2M AG9102X2/3500/20W/80/A24	Ø50x110±1mm X2	3500	1860	20W	104	24°
1A8531 Dalia 2M AG9102X2/4000/20W/80/A24	Ø50x110±1mm X2	4000	1890	20W	105	24°
1A8532 Dalia 2M AG9102X2/2700/20W/80/A34	Ø50x110±1mm X2	2700	1720	20W	96	34°
1A8533 Dalia 2M AG9102X2/3000/20W/80/A34	Ø50x110±1mm X2	3000	1800	20W	100	34°
1A8534 Dalia 2M AG9102X2/3500/20W/80/A34	Ø50x110±1mm X2	3500	1860	20W	104	34°
1A8535 Dalia 2M AG9102X2/4000/20W/80/A34	Ø50x110±1mm X2	4000	1890	20W	105	34°
1A8536 Dalia 2M AG9102X2/2700/20W/80/A39	Ø50x110±1mm X2	2700	1720	20W	96	39°
1A8537 Dalia 2M AG9102X2/3000/20W/80/A39	Ø50x110±1mm X2	3000	1800	20W	100	39°
1A8538 Dalia 2M AG9102X2/3500/20W/80/A39	Ø50x110±1mm X2	3500	1860	20W	104	39°
1A8539 Dalia 2M AG9102X2/4000/20W/80/A39	Ø50x110±1mm X2	4000	1890	20W	105	39°
1A8540 Dalia 2M AG9102X2/2700/28W/80/A24	Ø50x110±1mm X2	2700	2340	28W	90	24°
1A8541 Dalia 2M AG9102X2/3000/28W/80/A24	Ø50x110±1mm X2	3000	2460	28W	95	24°
1A8542 Dalia 2M AG9102X2/3500/28W/80/A24	Ø50x110±1mm X2	3500	2530	28W	98	24°
1A8543 Dalia 2M AG9102X2/4000/28W/80/A24	Ø50x110±1mm X2	4000	2580	28W	100	24°
1A8544 Dalia 2M AG9102X2/2700/28W/80/A34	Ø50x110±1mm X2	2700	2340	28W	90	34°
1A8545 Dalia 2M AG9102X2/3000/28W/80/A34	Ø50x110±1mm X2	3000	2460	28W	95	34°
1A8546 Dalia 2M AG9102X2/3500/28W/80/A34	Ø50x110±1mm X2	3500	2530	28W	98	34°
1A8547 Dalia 2M AG9102X2/4000/28W/80/A34	Ø50x110±1mm X2	4000	2580	28W	100	34°
1A8548 Dalia 2M AG9102X2/2700/28W/80/A39	Ø50x110±1mm X2	2700	2340	28W	90	39°
1A8549 Dalia 2M AG9102X2/3000/28W/80/A39	Ø50x110±1mm X2	3000	2460	28W	95	39°

## SKU SPECIFICATIONS

Product Code	Dimensions (mm)	CCT (K)	Lumens (lm)	Power (W)	Eff. (lm/watt)	Lens Angle (°)
<b>CRI 80</b>						
1A8550 Dalia 2M AG9102X2/3500/28W/80/A39	Ø50x110±1mm X2	3500	2530	28W	98	39°
1A8551 Dalia 2M AG9102X2/4000/28W/80/A39	Ø50x110±1mm X2	4000	2580	28W	100	39°
1A8552 Dalia 2L AG9103X2/2700/18W/80/A20	Ø58x130±1mm X2	2700	1030	18W	103	20°
1A8553 Dalia 2L AG9103X2/3000/18W/80/A20	Ø58x130±1mm X2	3000	1080	18W	108	20°
1A8554 Dalia 2L AG9103X2/3500/18W/80/A20	Ø58x130±1mm X2	3500	1110	18W	111	20°
1A8555 Dalia 2L AG9103X2/4000/18W/80/A20	Ø58x130±1mm X2	4000	1130	18W	113	20°
1A8556 Dalia 2L AG9103X2/2700/18W/80/A24	Ø58x130±1mm X2	2700	1030	18W	103	24°
1A8557 Dalia 2L AG9103X2/3000/18W/80/A24	Ø58x130±1mm X2	3000	1080	18W	108	24°
1A8558 Dalia 2L AG9103X2/3500/18W/80/A24	Ø58x130±1mm X2	3500	1110	18W	111	24°
1A8559 Dalia 2L AG9103X2/4000/18W/80/A24	Ø58x130±1mm X2	4000	1130	18W	113	24°
1A8560 Dalia 2L AG9103X2/2700/18W/80/A36	Ø58x130±1mm X2	2700	1030	18W	103	36°
1A8561 Dalia 2L AG9103X2/3000/18W/80/A36	Ø58x130±1mm X2	3000	1080	18W	108	36°
1A8562 Dalia 2L AG9103X2/3500/18W/80/A36	Ø58x130±1mm X2	3500	1110	18W	111	36°
1A8563 Dalia 2L AG9103X2/4000/18W/80/A36	Ø58x130±1mm X2	4000	1130	18W	113	36°
1A8564 Dalia 2L AG9103X2/2700/26W/80/A20	Ø58x130±1mm X2	2700	1900	26W	106	20°
1A8565 Dalia 2L AG9103X2/3000/26W/80/A20	Ø58x130±1mm X2	3000	2000	26W	112	20°
1A8566 Dalia 2L AG9103X2/3500/26W/80/A20	Ø58x130±1mm X2	3500	2050	26W	114	20°
1A8567 Dalia 2L AG9103X2/4000/26W/80/A20	Ø58x130±1mm X2	4000	2100	26W	117	20°
1A8568 Dalia 2L AG9103X2/2700/26W/80/A24	Ø58x130±1mm X2	2700	1900	26W	106	24°
1A8569 Dalia 2L AG9103X2/3000/26W/80/A24	Ø58x130±1mm X2	3000	2000	26W	112	24°
1A8570 Dalia 2L AG9103X2/3500/26W/80/A24	Ø58x130±1mm X2	3500	2050	26W	114	24°
1A8571 Dalia 2L AG9103X2/4000/26W/80/A24	Ø58x130±1mm X2	4000	2100	26W	117	24°
1A8572 Dalia 2L AG9103X2/2700/26W/80/A36	Ø58x130±1mm X2	2700	1900	26W	106	36°
1A8573 Dalia 2L AG9103X2/3000/26W/80/A36	Ø58x130±1mm X2	3000	2000	26W	112	36°
1A8574 Dalia 2L AG9103X2/3500/26W/80/A36	Ø58x130±1mm X2	3500	2050	26W	114	36°
1A8575 Dalia 2L AG9103X2/4000/26W/80/A36	Ø58x130±1mm X2	4000	2100	26W	117	36°
1A8576 Dalia 2L AG9103X2/2700/34W/80/A20	Ø58x130±1mm X2	2700	2560	34W	99	20°
1A8577 Dalia 2L AG9103X2/3000/34W/80/A20	Ø58x130±1mm X2	3000	2690	34W	104	20°
1A8578 Dalia 2L AG9103X2/3500/34W/80/A20	Ø58x130±1mm X2	3500	2770	34W	107	20°
1A8579 Dalia 2L AG9103X2/4000/34W/80/A20	Ø58x130±1mm X2	4000	2830	34W	109	20°
1A8580 Dalia 2L AG9103X2/2700/34W/80/A24	Ø58x130±1mm X2	2700	2560	34W	99	24°
1A8581 Dalia 2L AG9103X2/3000/34W/80/A24	Ø58x130±1mm X2	3000	2690	34W	104	24°
1A8582 Dalia 2L AG9103X2/3500/34W/80/A24	Ø58x130±1mm X2	3500	2770	34W	107	24°
1A8583 Dalia 2L AG9103X2/4000/34W/80/A24	Ø58x130±1mm X2	4000	2830	34W	109	24°
1A8584 Dalia 2L AG9103X2/2700/34W/80/A36	Ø58x130±1mm X2	2700	2560	34W	99	36°
1A8585 Dalia 2L AG9103X2/3000/34W/80/A36	Ø58x130±1mm X2	3000	2690	34W	104	36°
1A8586 Dalia 2L AG9103X2/3500/34W/80/A36	Ø58x130±1mm X2	3500	2770	34W	107	36°
1A8587 Dalia 2L AG9103X2/4000/34W/80/A36	Ø58x130±1mm X2	4000	2830	34W	109	36°
1A8588 Dalia 2S AG9101X2/AMB2200/8W/80/A28	Ø40x85±1mm X2	AMB2200	560	8W	70	28°
1A8589 Dalia 2S AG9101X2/AMB2200/8W/80/A38	Ø40x85±1mm X2	AMB2200	560	8W	70	38°
1A8590 Dalia 2S AG9101X2/AMB2200/18W/80/A28	Ø40x85±1mm X2	AMB2200	1220	18W	68	28°
1A8591 Dalia 2S AG9101X2/AMB2200/18W/80/A38	Ø40x85±1mm X2	AMB2200	1220	18W	68	38°
1A8592 Dalia 2M AG9102X2/AMB2200/10W/80/A24	Ø50x110±1mm X2	AMB2200	760	10W	76	24°
1A8593 Dalia 2M AG9102X2/AMB2200/10W/80/A34	Ø50x110±1mm X2	AMB2200	760	10W	76	34°
1A8594 Dalia 2M AG9102X2/AMB2200/10W/80/A39	Ø50x110±1mm X2	AMB2200	760	10W	76	39°
1A8595 Dalia 2M AG9102X2/AMB2200/20W/80/A24	Ø50x110±1mm X2	AMB2200	1410	20W	71	24°
1A8596 Dalia 2M AG9102X2/AMB2200/20W/80/A34	Ø50x110±1mm X2	AMB2200	1410	20W	71	34°
1A8597 Dalia 2M AG9102X2/AMB2200/20W/80/A39	Ø50x110±1mm X2	AMB2200	1410	20W	71	39°
1A8598 Dalia 2M AG9102X2/AMB2200/28W/80/A24	Ø50x110±1mm X2	AMB2200	1870	28W	67	24°
1A8599 Dalia 2M AG9102X2/AMB2200/28W/80/A34	Ø50x110±1mm X2	AMB2200	1870	28W	67	34°

## SKU SPECIFICATIONS

Product Code	Dimensions (mm)	CCT (K)	Lumens (lm)	Power (W)	Eff. (lm/watt)	Lens Angle (°)
<b>CRI 80</b>						
1A8600 Dalia 2M AG9102X2/AMB2200/28W/80/A39	Ø50x110±1mm X2	AMB2200	1870	28W	67	39°
1A8601 Dalia 2L AG9103X2/AMB2200/18W/80/A20	Ø58x130±1mm X2	AMB2200	690	18W	87	20°
1A8602 Dalia 2L AG9103X2/AMB2200/18W/80/A24	Ø58x130±1mm X2	AMB2200	690	18W	87	24°
1A8603 Dalia 2L AG9103X2/AMB2200/18W/80/A36	Ø58x130±1mm X2	AMB2200	690	18W	87	36°
1A8604 Dalia 2L AG9103X2/AMB2200/26W/80/A20	Ø58x130±1mm X2	AMB2200	1490	26W	83	20°
1A8605 Dalia 2L AG9103X2/AMB2200/26W/80/A24	Ø58x130±1mm X2	AMB2200	1490	26W	83	24°
1A8606 Dalia 2L AG9103X2/AMB2200/26W/80/A36	Ø58x130±1mm X2	AMB2200	1490	26W	83	36°
1A8607 Dalia 2L AG9103X2/AMB2200/36W/80/A20	Ø58x130±1mm X2	AMB2200	1990	36W	77	20°
1A8608 Dalia 2L AG9103X2/AMB2200/36W/80/A24	Ø58x130±1mm X2	AMB2200	1990	36W	77	24°
1A8609 Dalia 2L AG9103X2/AMB2200/36W/80/A36	Ø58x130±1mm X2	AMB2200	1990	36W	77	36°
<b>CRI 93</b>						
1A8610 Dalia 2S AG9101X2/AGI3000/14W/93/A28	Ø40x85±1mm X2	AGI3000	750	14W	54	28°
1A8611 Dalia 2S AG9101X2/AGI3500/14W/93/A28	Ø40x85±1mm X2	AGI3500	760	14W	55	28°
1A8612 Dalia 2S AG9101X2/AGI4000/14W/93/A28	Ø40x85±1mm X2	AGI4000	780	14W	56	28°
1A8613 Dalia 2S AG9101X2/AGI3000/14W/93/A38	Ø40x85±1mm X2	AGI3000	750	14W	54	38°
1A8614 Dalia 2S AG9101X2/AGI3500/14W/93/A38	Ø40x85±1mm X2	AGI3500	760	14W	55	38°
1A8615 Dalia 2S AG9101X2/AGI4000/14W/93/A38	Ø40x85±1mm X2	AGI4000	780	14W	56	38°
1A8616 Dalia 2S AG9101X2/AGI3000/20W/93/A28	Ø40x85±1mm X2	AGI3000	1000	20W	50	28°
1A8617 Dalia 2S AG9101X2/AGI3500/20W/93/A28	Ø40x85±1mm X2	AGI3500	1020	20W	51	28°
1A8618 Dalia 2S AG9101X2/AGI4000/20W/93/A28	Ø40x85±1mm X2	AGI4000	1040	20W	52	28°
1A8619 Dalia 2S AG9101X2/AGI3000/20W/93/A38	Ø40x85±1mm X2	AGI3000	1000	20W	50	38°
1A8620 Dalia 2S AG9101X2/AGI3500/20W/93/A38	Ø40x85±1mm X2	AGI3500	1020	20W	51	38°
1A8621 Dalia 2S AG9101X2/AGI4000/20W/93/A38	Ø40x85±1mm X2	AGI4000	1040	20W	52	38°
1A8622 Dalia 2M AG9102X2/AGI3000/8W/93/A24	Ø50x110±1mm X2	AGI3000	510	8W	64	24°
1A8623 Dalia 2M AG9102X2/AGI3500/8W/93/A24	Ø50x110±1mm X2	AGI3500	520	8W	65	24°
1A8624 Dalia 2M AG9102X2/AGI4000/8W/93/A24	Ø50x110±1mm X2	AGI4000	530	8W	67	24°
1A8625 Dalia 2M AG9102X2/AGI3000/8W/93/A34	Ø50x110±1mm X2	AGI3000	510	8W	64	34°
1A8626 Dalia 2M AG9102X2/AGI3500/8W/93/A34	Ø50x110±1mm X2	AGI3500	520	8W	65	34°
1A8627 Dalia 2M AG9102X2/AGI4000/8W/93/A34	Ø50x110±1mm X2	AGI4000	530	8W	67	34°
1A8628 Dalia 2M AG9102X2/AGI3000/8W/93/A39	Ø50x110±1mm X2	AGI3000	510	8W	64	39°
1A8629 Dalia 2M AG9102X2/AGI3500/8W/93/A39	Ø50x110±1mm X2	AGI3500	520	8W	65	39°
1A8630 Dalia 2M AG9102X2/AGI4000/8W/93/A39	Ø50x110±1mm X2	AGI4000	530	8W	67	39°
1A8631 Dalia 2M AG9102X2/AGI3000/14W/93/A24	Ø50x110±1mm X2	AGI3000	920	14W	66	24°
1A8632 Dalia 2M AG9102X2/AGI3500/14W/93/A24	Ø50x110±1mm X2	AGI3500	940	14W	68	24°
1A8633 Dalia 2M AG9102X2/AGI4000/14W/93/A24	Ø50x110±1mm X2	AGI4000	960	14W	69	24°
1A8634 Dalia 2M AG9102X2/AGI3000/14W/93/A34	Ø50x110±1mm X2	AGI3000	920	14W	66	34°
1A8635 Dalia 2M AG9102X2/AGI3500/14W/93/A34	Ø50x110±1mm X2	AGI3500	940	14W	68	34°
1A8636 Dalia 2M AG9102X2/AGI4000/14W/93/A34	Ø50x110±1mm X2	AGI4000	960	14W	69	34°
1A8637 Dalia 2M AG9102X2/AGI3000/14W/93/A39	Ø50x110±1mm X2	AGI3000	920	14W	66	39°
1A8638 Dalia 2M AG9102X2/AGI3500/14W/93/A39	Ø50x110±1mm X2	AGI3500	940	14W	68	39°
1A8639 Dalia 2M AG9102X2/AGI4000/14W/93/A39	Ø50x110±1mm X2	AGI4000	960	14W	69	39°
1A8640 Dalia 2M AG9102X2/AGI3000/22W/93/A24	Ø50x110±1mm X2	AGI3000	1230	22W	56	24°
1A8641 Dalia 2M AG9102X2/AGI3500/22W/93/A24	Ø50x110±1mm X2	AGI3500	1250	22W	57	24°
1A8642 Dalia 2M AG9102X2/AGI4000/22W/93/A24	Ø50x110±1mm X2	AGI4000	1280	22W	59	24°
1A8643 Dalia 2M AG9102X2/AGI3000/22W/93/A34	Ø50x110±1mm X2	AGI3000	1230	22W	56	34°
1A8644 Dalia 2M AG9102X2/AGI3500/22W/93/A34	Ø50x110±1mm X2	AGI3500	1250	22W	57	34°
1A8645 Dalia 2M AG9102X2/AGI4000/22W/93/A34	Ø50x110±1mm X2	AGI4000	1280	22W	59	34°
1A8646 Dalia 2M AG9102X2/AGI3000/22W/93/A39	Ø50x110±1mm X2	AGI3000	1230	22W	56	39°
1A8647 Dalia 2M AG9102X2/AGI3500/22W/93/A39	Ø50x110±1mm X2	AGI3500	1250	22W	57	39°

## SKU SPECIFICATIONS

Product Code	Dimensions (mm)	CCT (K)	Lumens (lm)	Power (W)	Eff. (lm/watt)	Lens Angle (°)
<b>CRI 93</b>						
1A8648 Dalia 2M AG9102X2/AGI4000/22W/93/A39	Ø50x110±1mm X2	AGI4000	1280	22W	59	39°
1A8649 Dalia 2M AG9102X2/AGI3000/28W/93/A24	Ø50x110±1mm X2	AGI3000	1490	28W	54	24°
1A8650 Dalia 2M AG9102X2/AGI3500/28W/93/A24	Ø50x110±1mm X2	AGI3500	1520	28W	55	24°
1A8651 Dalia 2M AG9102X2/AGI4000/28W/93/A24	Ø50x110±1mm X2	AGI4000	1550	28W	56	24°
1A8652 Dalia 2M AG9102X2/AGI3000/28W/93/A34	Ø50x110±1mm X2	AGI3000	1490	28W	54	34°
1A8653 Dalia 2M AG9102X2/AGI3500/28W/93/A34	Ø50x110±1mm X2	AGI3500	1520	28W	55	34°
1A8654 Dalia 2M AG9102X2/AGI4000/28W/93/A34	Ø50x110±1mm X2	AGI4000	1550	28W	56	34°
1A8655 Dalia 2M AG9102X2/AGI3000/28W/93/A39	Ø50x110±1mm X2	AGI3000	1490	28W	54	39°
1A8656 Dalia 2M AG9102X2/AGI3500/28W/93/A39	Ø50x110±1mm X2	AGI3500	1520	28W	55	39°
1A8657 Dalia 2M AG9102X2/AGI4000/28W/93/A39	Ø50x110±1mm X2	AGI4000	1550	28W	56	39°
1A8658 Dalia 2L AG9103X2/AGI3000/14W/93/A20	Ø58x130±1mm X2	AGI3000	970	14W	70	20°
1A8659 Dalia 2L AG9103X2/AGI3500/14W/93/A20	Ø58x130±1mm X2	AGI3500	990	14W	71	20°
1A8660 Dalia 2L AG9103X2/AGI4000/14W/93/A20	Ø58x130±1mm X2	AGI4000	1010	14W	73	20°
1A8661 Dalia 2L AG9103X2/AGI3000/14W/93/A24	Ø58x130±1mm X2	AGI3000	970	14W	70	24°
1A8662 Dalia 2L AG9103X2/AGI3500/14W/93/A24	Ø58x130±1mm X2	AGI3500	990	14W	71	24°
1A8663 Dalia 2L AG9103X2/AGI4000/14W/93/A24	Ø58x130±1mm X2	AGI4000	1010	14W	73	24°
1A8664 Dalia 2L AG9103X2/AGI3000/14W/93/A36	Ø58x130±1mm X2	AGI3000	970	14W	70	36°
1A8665 Dalia 2L AG9103X2/AGI3500/14W/93/A36	Ø58x130±1mm X2	AGI3500	990	14W	71	36°
1A8666 Dalia 2L AG9103X2/AGI4000/14W/93/A36	Ø58x130±1mm X2	AGI4000	1010	14W	73	36°
1A8667 Dalia 2L AG9103X2/AGI3000/20W/93/A20	Ø58x130±1mm X2	AGI3000	1290	20W	65	20°
1A8668 Dalia 2L AG9103X2/AGI3500/20W/93/A20	Ø58x130±1mm X2	AGI3500	1320	20W	66	20°
1A8669 Dalia 2L AG9103X2/AGI4000/20W/93/A20	Ø58x130±1mm X2	AGI4000	1340	20W	67	20°
1A8670 Dalia 2L AG9103X2/AGI3000/20W/93/A24	Ø58x130±1mm X2	AGI3000	1290	20W	65	24°
1A8671 Dalia 2L AG9103X2/AGI3500/20W/93/A24	Ø58x130±1mm X2	AGI3500	1320	20W	66	24°
1A8672 Dalia 2L AG9103X2/AGI4000/20W/93/A24	Ø58x130±1mm X2	AGI4000	1340	20W	67	24°
1A8673 Dalia 2L AG9103X2/AGI3000/20W/93/A36	Ø58x130±1mm X2	AGI3000	1290	20W	65	36°
1A8674 Dalia 2L AG9103X2/AGI3500/20W/93/A36	Ø58x130±1mm X2	AGI3500	1320	20W	66	36°
1A8675 Dalia 2L AG9103X2/AGI4000/20W/93/A36	Ø58x130±1mm X2	AGI4000	1340	20W	67	36°
1A8676 Dalia 2L AG9103X2/AGI3000/26W/93/A20	Ø58x130±1mm X2	AGI3000	1590	26W	62	20°
1A8677 Dalia 2L AG9103X2/AGI3500/26W/93/A20	Ø58x130±1mm X2	AGI3500	1620	26W	63	20°
1A8678 Dalia 2L AG9103X2/AGI4000/26W/93/A20	Ø58x130±1mm X2	AGI4000	1660	26W	64	20°
1A8679 Dalia 2L AG9103X2/AGI3000/26W/93/A24	Ø58x130±1mm X2	AGI3000	1590	26W	62	24°
1A8680 Dalia 2L AG9103X2/AGI3500/26W/93/A24	Ø58x130±1mm X2	AGI3500	1620	26W	63	24°
1A8681 Dalia 2L AG9103X2/AGI4000/26W/93/A24	Ø58x130±1mm X2	AGI4000	1660	26W	64	24°
1A8682 Dalia 2L AG9103X2/AGI3000/26W/93/A36	Ø58x130±1mm X2	AGI3000	1590	26W	62	36°
1A8683 Dalia 2L AG9103X2/AGI3500/26W/93/A36	Ø58x130±1mm X2	AGI3500	1620	26W	63	36°
1A8684 Dalia 2L AG9103X2/AGI4000/26W/93/A36	Ø58x130±1mm X2	AGI4000	1660	26W	64	36°
1A8685 Dalia 2L AG9103X2/AGI3000/30W/93/A20	Ø58x130±1mm X2	AGI3000	1710	30W	57	20°
1A8686 Dalia 2L AG9103X2/AGI3500/30W/93/A20	Ø58x130±1mm X2	AGI3500	1750	30W	59	20°
1A8687 Dalia 2L AG9103X2/AGI4000/30W/93/A20	Ø58x130±1mm X2	AGI4000	1780	30W	60	20°
1A8688 Dalia 2L AG9103X2/AGI3000/30W/93/A24	Ø58x130±1mm X2	AGI3000	1710	30W	57	24°
1A8689 Dalia 2L AG9103X2/AGI3500/30W/93/A24	Ø58x130±1mm X2	AGI3500	1750	30W	59	24°
1A8690 Dalia 2L AG9103X2/AGI4000/30W/93/A24	Ø58x130±1mm X2	AGI4000	1780	30W	60	24°
1A8691 Dalia 2L AG9103X2/AGI3000/30W/93/A36	Ø58x130±1mm X2	AGI3000	1710	30W	57	36°
1A8692 Dalia 2L AG9103X2/AGI3500/30W/93/A36	Ø58x130±1mm X2	AGI3500	1750	30W	59	36°
1A8693 Dalia 2L AG9103X2/AGI4000/30W/93/A36	Ø58x130±1mm X2	AGI4000	1780	30W	60	36°

Technical specifications can be modified without prior notice. All information is property of Greentek Lighting.

The presentation picture is for information purposes only. Latest document update: January 13, 2022 4:39 PM. [www.greentek.eu](http://www.greentek.eu)