



Apis

TRACK SPOTLIGHTS | DALI SERIES

Designed to provide optimum high-quality accent lighting, especially in retail and showroom areas. Apis has a minimal and elegant design when installed singularly. Mounted on track, easily adjustable, require very little technical effort should it will be rearranged. The housing comes in two color options – RAL 9003 - signal white and RAL 9005 - jet black – to fit the particular environment.

The low voltage adapter contains the electronics that converts constant voltage (48 V) to constant current for the luminaire. It rotates through 360°, pivots through 90°. Easy to mount without tools to the low voltage track.

Apis has several series, determined by various add-on and controls:

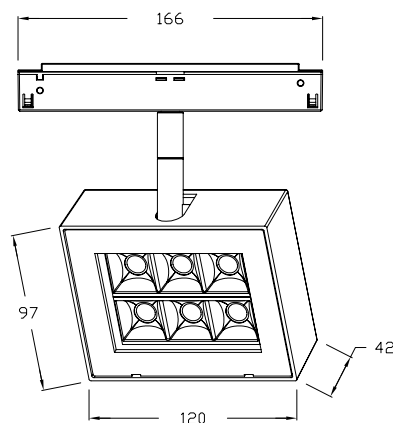
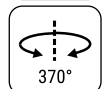
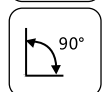
- Apis Non-DALI: the standard for any project in the retail sector
- Apis DALI: with DALI controls for illumination adjustment

APPLICATION

Grocery & Supermarket | Retail | Art & Exhibition | Hospitality

FEATURES & BENEFITS

- CRI 80 as standard
- 4 color temperatures
- Long rated life: L90/B10@50.000h
- Luminaire efficiency: 93lm/W @4000K
- Dimmable



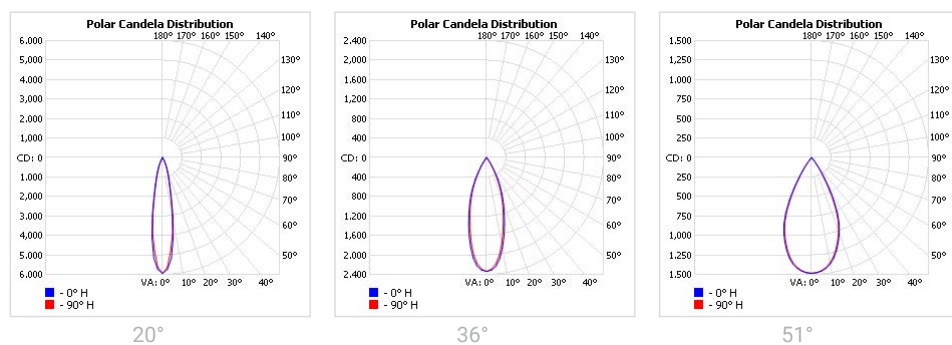
SPECIFICATIONS

Power consumption	3W, 7W, 10W, 14W
Dimensions	97 X 120 X 42 ±1mm
Weight	-
Housing materials	Aluminium, Glass
IK code	IK02
Protection class	Safety class 1
Operating temperature [°C]	-20°C ... +45°C / -4F ... +113F
Operating humidity [%]	10 ÷ 85
AC Input [Vac]	48 Vdc
Lens angle [°]	20°, 36°, 51°
Lifespan [h]	50,000
Housing color	○ RAL 9016 - traffic white, ● RAL 9005 - jet black
Lumen maintenance	L90/B10@50.000h at 25°C
IP factor	IP20
Control optional	DALI
Warranty [years]	5
Storage temperature range [°C]	-20°C ... +55°C / -4F ... +131F
Emergency option	-

Light application	Standard
CRI	CRI 80
CCT [K]	2200K/2700K/3000K/4000K
MacAdam	3

CRI - Color rendering, CCT - Color temperature, MacAdam - Color consistency

LIGHT DISTRIBUTION



RISK GROUP

RG1

The evaluation of photobiological safety is carried out according to the standard IEC 62471:2008 ("Photobiological safety of lamps and lamp systems"). Following the definition of the risk grouping system of the mentioned IEC standard, the LEDs mounted on this family fall into the class "Low Risk (RG1 – No photobiological hazard under normal behavioral limitations)". Under real circumstances (regarding exposure time, pupils, observation distance), it is assumed that there is no endangerment to the eye from these devices. As a matter of principle, however, it should be mentioned that intense light sources have a high secondary exposure potential due to their blinding effect.

SKU SPECIFICATIONS

Product Code	Dimensions (mm)	CCT (K)	Lumens (lm)	Power (W)	Eff. (lm/watt)	Lens Angle (°)
CRI 80						
2B1000 Apis AG9107/2200/3W/80/A20	97 X 120 X 42 ±1mm	2200	210	3W	70	20°
2B1001 Apis AG9107/2200/3W/80/A36	97 X 120 X 42 ±1mm	2200	210	3W	70	36°
2B1002 Apis AG9107/2200/3W/80/A51	97 X 120 X 42 ±1mm	2200	210	3W	70	51°
2B1003 Apis AG9107/2700/3W/80/A20	97 X 120 X 42 ±1mm	2700	270	3W	90	20°
2B1004 Apis AG9107/2700/3W/80/A36	97 X 120 X 42 ±1mm	2700	270	3W	90	36°
2B1005 Apis AG9107/2700/3W/80/A51	97 X 120 X 42 ±1mm	2700	270	3W	90	51°
2B1006 Apis AG9107/3000/3W/80/A20	97 X 120 X 42 ±1mm	3000	290	3W	97	20°
2B1007 Apis AG9107/3000/3W/80/A36	97 X 120 X 42 ±1mm	3000	290	3W	97	36°
2B1008 Apis AG9107/3000/3W/80/A51	97 X 120 X 42 ±1mm	3000	290	3W	97	51°
2B1009 Apis AG9107/4000/3W/80/A20	97 X 120 X 42 ±1mm	4000	290	3W	97	20°
2B1010 Apis AG9107/4000/3W/80/A36	97 X 120 X 42 ±1mm	4000	290	3W	97	36°
2B1011 Apis AG9107/4000/3W/80/A51	97 X 120 X 42 ±1mm	4000	290	3W	97	51°
2B1012 Apis AG9107/2200/7W/80/A20	97 X 120 X 42 ±1mm	2200	465	7W	67	20°
2B1013 Apis AG9107/2200/7W/80/A36	97 X 120 X 42 ±1mm	2200	465	7W	67	36°
2B1014 Apis AG9107/2200/7W/80/A51	97 X 120 X 42 ±1mm	2200	465	7W	67	51°
2B1015 Apis AG9107/2700/7W/80/A20	97 X 120 X 42 ±1mm	2700	605	7W	87	20°
2B1016 Apis AG9107/2700/7W/80/A36	97 X 120 X 42 ±1mm	2700	605	7W	87	36°
2B1017 Apis AG9107/2700/7W/80/A51	97 X 120 X 42 ±1mm	2700	605	7W	87	51°
2B1018 Apis AG9107/3000/7W/80/A20	97 X 120 X 42 ±1mm	3000	650	7W	93	20°
2B1019 Apis AG9107/3000/7W/80/A36	97 X 120 X 42 ±1mm	3000	650	7W	93	36°
2B1020 Apis AG9107/3000/7W/80/A51	97 X 120 X 42 ±1mm	3000	650	7W	93	51°
2B1021 Apis AG9107/4000/7W/80/A20	97 X 120 X 42 ±1mm	4000	650	7W	93	20°
2B1022 Apis AG9107/4000/7W/80/A36	97 X 120 X 42 ±1mm	4000	650	7W	93	36°
2B1023 Apis AG9107/4000/7W/80/A51	97 X 120 X 42 ±1mm	4000	650	7W	93	51°
2B1024 Apis AG9107/2200/10W/80/A20	97 X 120 X 42 ±1mm	2200	635	10W	64	20°
2B1025 Apis AG9107/2200/10W/80/A36	97 X 120 X 42 ±1mm	2200	635	10W	64	36°
2B1026 Apis AG9107/2200/10W/80/A51	97 X 120 X 42 ±1mm	2200	635	10W	64	51°
2B1027 Apis AG9107/2700/10W/80/A20	97 X 120 X 42 ±1mm	2700	825	10W	83	20°
2B1028 Apis AG9107/2700/10W/80/A36	97 X 120 X 42 ±1mm	2700	825	10W	83	36°
2B1029 Apis AG9107/2700/10W/80/A51	97 X 120 X 42 ±1mm	2700	825	10W	83	51°
2B1030 Apis AG9107/3000/10W/80/A20	97 X 120 X 42 ±1mm	3000	885	10W	89	20°
2B1031 Apis AG9107/3000/10W/80/A36	97 X 120 X 42 ±1mm	3000	885	10W	89	36°
2B1032 Apis AG9107/3000/10W/80/A51	97 X 120 X 42 ±1mm	3000	885	10W	89	51°
2B1033 Apis AG9107/4000/10W/80/A20	97 X 120 X 42 ±1mm	4000	885	10W	89	20°
2B1034 Apis AG9107/4000/10W/80/A36	97 X 120 X 42 ±1mm	4000	885	10W	89	36°
2B1035 Apis AG9107/4000/10W/80/A51	97 X 120 X 42 ±1mm	4000	885	10W	89	51°
2B1036 Apis AG9107/2200/14W/80/A20	97 X 120 X 42 ±1mm	2200	850	14W	61	20°
2B1037 Apis AG9107/2200/14W/80/A36	97 X 120 X 42 ±1mm	2200	850	14W	61	36°
2B1038 Apis AG9107/2200/14W/80/A51	97 X 120 X 42 ±1mm	2200	850	14W	61	51°
2B1039 Apis AG9107/2700/14W/80/A20	97 X 120 X 42 ±1mm	2700	1100	14W	79	20°
2B1040 Apis AG9107/2700/14W/80/A36	97 X 120 X 42 ±1mm	2700	1100	14W	79	36°
2B1041 Apis AG9107/2700/14W/80/A51	97 X 120 X 42 ±1mm	2700	1100	14W	79	51°
2B1042 Apis AG9107/3000/14W/80/A20	97 X 120 X 42 ±1mm	3000	1180	14W	85	20°
2B1043 Apis AG9107/3000/14W/80/A36	97 X 120 X 42 ±1mm	3000	1180	14W	85	36°
2B1044 Apis AG9107/3000/14W/80/A51	97 X 120 X 42 ±1mm	3000	1180	14W	85	51°
2B1045 Apis AG9107/4000/14W/80/A20	97 X 120 X 42 ±1mm	4000	1180	14W	85	20°
2B1046 Apis AG9107/4000/14W/80/A36	97 X 120 X 42 ±1mm	4000	1180	14W	85	36°
2B1047 Apis AG9107/4000/14W/80/A51	97 X 120 X 42 ±1mm	4000	1180	14W	85	51°

Technical specifications can be modified without prior notice. All information is property of Greentek Lighting.
The presentation picture is for information purposes only. Latest document update: January 13, 2022 4:56 PM. www.greentek.eu