

# Galaxy Slim E

Surface Mounted & Suspended Luminaires



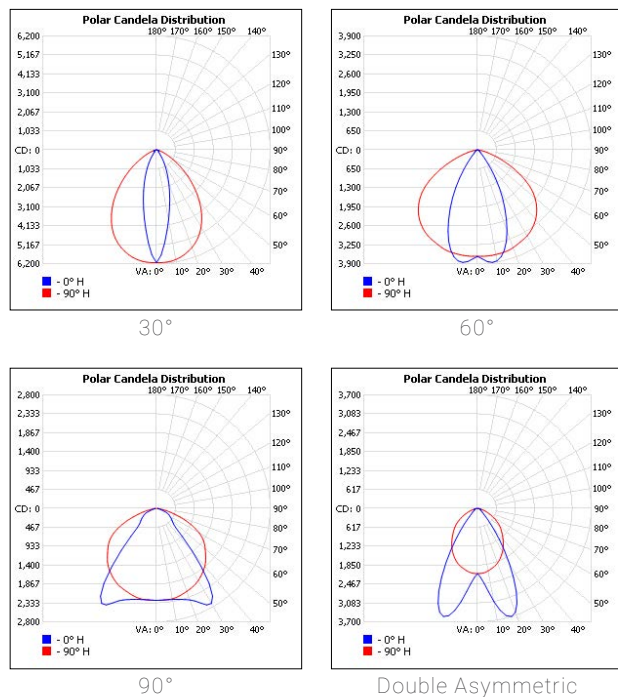
## FEATURES & BENEFITS

- Form factors: 5R2, 5R3, 5R4, 5R5
- Three temperatures: 3000K, 4000K and 5000K
- Wide range of lens angle: 30°, 60°, 90° and Double Asymmetric
- Color rendering index: 80
- Efficiency @4000K: 135 lm/W

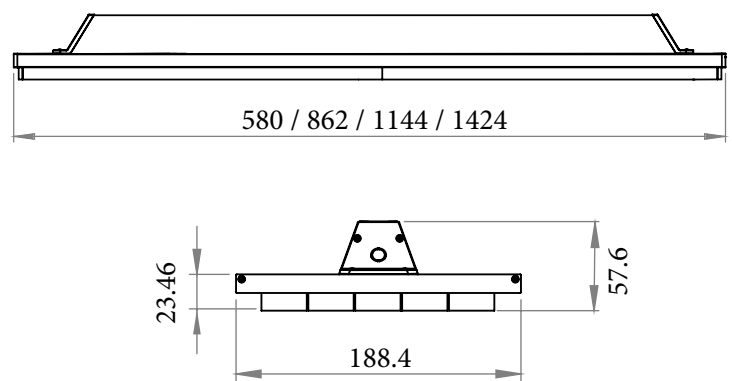
## APPLICATIONS

Grocery & Supermarkets | Retail | Office | Healthcare | Industrial & Logistics | Hospitality | DIY

## LIGHT DISTRIBUTION



## TECHNICAL DRAW



## SPECIFICATIONS

Power	66W, 83W, 99W	99W, 124W, 149W	131W, 165W, 197W	163W, 206W, 244W
Dimensions	580x188.4x57.6mm±1mm	862x188.4x57.6mm±1mm	1144x188.4x57.6mm±1mm	1424x188.4x57.6mm±1mm
Color Rendering	CRI80			
Housing materials	Aluminium, polycarbonate			
IK Code	IK04			
THD	<20%			
Protection Class	Safety class 1			
Operating temperature (°C)	-20°C...+55°C/-4F...+131F			
Operating humidity (%)	10 ÷ 85			
Power factor	≥0.9 (at 230 V / 50 Hz / driver full load)			
AC Input	220-240 Vac			
Color temperature	3000K, 4000K, 5000K			
Lens angle (°)	30°, 60°, 90°, DA			
Lifespan (h)	50000			
Housing color	Anodised grey, Anodised black			
Color consistency	MacAdam 4			
Lumen maintenance	L80/B20@50.000h at 25°C			
IP Rating	IP20			
Control option	-			
Warranty (years)	5 years			
Storage Temperature Range (°C)	-25°C...+55°C/-13F...+131F			
Efficiency @4000K	135 lm/W			
Luminous flux tolerance	+/- 5%			
Consumption tolerance	-/+ 5%			
Risk group	<p>RG0</p> <p>The evaluation of photobiological safety is carried out according to the standard IEC 62471:2008 ("Photobiological safety of lamps and lamp systems"). Following the definition of the risk grouping system of the mentioned IEC standard, the LEDs mounted on this family fall into the class "Exempt (RG0 – No photobiological hazard)". Under real circumstances (regarding exposure time, pupils, observation distance), it is assumed that there is no endangerment to the eye from these devices. As a matter of principle, however, it should be mentioned that intense light sources have a high secondary exposure potential due to their blinding effect.</p>			

## MAXIMUM NO. OF LUMINAIRES ON A CIRCUIT

Luminaire Length	Control type	Circuit Breaker Type					
		B			C		
		20	16	10	20	16	10
5R2	Non-DALI	22	18	11	22	18	11
5R3	Non-DALI	15	12	7	15	12	7
5R4	Non-DALI	11	9	5	11	9	5
5R5	Non-DALI	9	7	4	9	7	4

## SKU SPECIFICATIONS

Article Number	Dimensions (mm)	CCT (K)	Lumens (lm)	Power (W)	Efficiency (lm/watt)	Lens angle (degrees)	Weight (kg)
1E3000 Galaxy Slim E SR 5R2 AL/3000/66W/80/TB	580 x 188.4 x 57.6 ± 1mm	3000	8275	66W	126	30	2.6 Kg
1E3001 Galaxy Slim E SR 5R2 AL/4000/66W/80/TB	580 x 188.4 x 57.6 ± 1mm	4000	8725	66W	133	30	2.6 Kg
1E3002 Galaxy Slim E SR 5R2 AL/5000/66W/80/TB	580 x 188.4 x 57.6 ± 1mm	5000	8855	66W	135	30	2.6 Kg
1E3003 Galaxy Slim E SR 5R2 AL/3000/66W/80/NB	580 x 188.4 x 57.6 ± 1mm	3000	8370	66W	127	60	2.6 Kg
1E3004 Galaxy Slim E SR 5R2 AL/4000/66W/80/NB	580 x 188.4 x 57.6 ± 1mm	4000	8825	66W	134	60	2.6 Kg
1E3005 Galaxy Slim E SR 5R2 AL/5000/66W/80/NB	580 x 188.4 x 57.6 ± 1mm	5000	8955	66W	136	60	2.6 Kg
1E3006 Galaxy Slim E SR 5R2 AL/3000/66W/80/WB	580 x 188.4 x 57.6 ± 1mm	3000	8370	66W	127	90	2.6 Kg
1E3007 Galaxy Slim E SR 5R2 AL/4000/66W/80/WB	580 x 188.4 x 57.6 ± 1mm	4000	8825	66W	134	90	2.6 Kg
1E3008 Galaxy Slim E SR 5R2 AL/5000/66W/80/WB	580 x 188.4 x 57.6 ± 1mm	5000	8955	66W	136	90	2.6 Kg
1E3009 Galaxy Slim E SR 5R2 AL/3000/66W/80/DA	580 x 188.4 x 57.6 ± 1mm	3000	8260	66W	126	DA	2.6 Kg
1E3010 Galaxy Slim E SR 5R2 AL/4000/66W/80/DA	580 x 188.4 x 57.6 ± 1mm	4000	8710	66W	132	DA	2.6 Kg
1E3011 Galaxy Slim E SR 5R2 AL/5000/66W/80/DA	580 x 188.4 x 57.6 ± 1mm	5000	8835	66W	134	DA	2.6 Kg
1E3012 Galaxy Slim E SR 5R2 AL/3000/83W/80/TB	580 x 188.4 x 57.6 ± 1mm	3000	9960	83W	120	30	2.6 Kg
1E3013 Galaxy Slim E SR 5R2 AL/4000/83W/80/TB	580 x 188.4 x 57.6 ± 1mm	4000	10500	83W	127	30	2.6 Kg
1E3014 Galaxy Slim E SR 5R2 AL/5000/83W/80/TB	580 x 188.4 x 57.6 ± 1mm	5000	10655	83W	129	30	2.6 Kg
1E3015 Galaxy Slim E SR 5R2 AL/3000/83W/80/NB	580 x 188.4 x 57.6 ± 1mm	3000	10070	83W	122	60	2.6 Kg
1E3016 Galaxy Slim E SR 5R2 AL/4000/83W/80/NB	580 x 188.4 x 57.6 ± 1mm	4000	10620	83W	128	60	2.6 Kg
1E3017 Galaxy Slim E SR 5R2 AL/5000/83W/80/NB	580 x 188.4 x 57.6 ± 1mm	5000	10775	83W	130	60	2.6 Kg
1E3018 Galaxy Slim E SR 5R2 AL/3000/83W/80/WB	580 x 188.4 x 57.6 ± 1mm	3000	10070	83W	122	90	2.6 Kg
1E3019 Galaxy Slim E SR 5R2 AL/4000/83W/80/WB	580 x 188.4 x 57.6 ± 1mm	4000	10620	83W	128	90	2.6 Kg
1E3020 Galaxy Slim E SR 5R2 AL/5000/83W/80/WB	580 x 188.4 x 57.6 ± 1mm	5000	10775	83W	130	90	2.6 Kg
1E3021 Galaxy Slim E SR 5R2 AL/3000/83W/80/DA	580 x 188.4 x 57.6 ± 1mm	3000	9940	83W	120	DA	2.6 Kg
1E3022 Galaxy Slim E SR 5R2 AL/4000/83W/80/DA	580 x 188.4 x 57.6 ± 1mm	4000	10480	83W	127	DA	2.6 Kg
1E3023 Galaxy Slim E SR 5R2 AL/5000/83W/80/DA	580 x 188.4 x 57.6 ± 1mm	5000	10635	83W	129	DA	2.6 Kg
1E3024 Galaxy Slim E SR 5R2 AL/3000/99W/80/TB	580 x 188.4 x 57.6 ± 1mm	3000	11395	99W	116	30	2.6 Kg
1E3025 Galaxy Slim E SR 5R2 AL/4000/99W/80/TB	580 x 188.4 x 57.6 ± 1mm	4000	12015	99W	122	30	2.6 Kg
1E3026 Galaxy Slim E SR 5R2 AL/5000/99W/80/TB	580 x 188.4 x 57.6 ± 1mm	5000	12190	99W	124	30	2.6 Kg
1E3027 Galaxy Slim E SR 5R2 AL/3000/99W/80/NB	580 x 188.4 x 57.6 ± 1mm	3000	11520	99W	117	60	2.6 Kg
1E3028 Galaxy Slim E SR 5R2 AL/4000/99W/80/NB	580 x 188.4 x 57.6 ± 1mm	4000	12150	99W	123	60	2.6 Kg
1E3029 Galaxy Slim E SR 5R2 AL/5000/99W/80/NB	580 x 188.4 x 57.6 ± 1mm	5000	12325	99W	125	60	2.6 Kg
1E3030 Galaxy Slim E SR 5R2 AL/3000/99W/80/WB	580 x 188.4 x 57.6 ± 1mm	3000	11520	99W	117	90	2.6 Kg
1E3031 Galaxy Slim E SR 5R2 AL/4000/99W/80/WB	580 x 188.4 x 57.6 ± 1mm	4000	12150	99W	123	90	2.6 Kg
1E3032 Galaxy Slim E SR 5R2 AL/5000/99W/80/WB	580 x 188.4 x 57.6 ± 1mm	5000	12325	99W	125	90	2.6 Kg
1E3033 Galaxy Slim E SR 5R2 AL/3000/99W/80/DA	580 x 188.4 x 57.6 ± 1mm	3000	11370	99W	115	DA	2.6 Kg
1E3034 Galaxy Slim E SR 5R2 AL/4000/99W/80/DA	580 x 188.4 x 57.6 ± 1mm	4000	11990	99W	122	DA	2.6 Kg
1E3035 Galaxy Slim E SR 5R2 AL/5000/99W/80/DA	580 x 188.4 x 57.6 ± 1mm	5000	12165	99W	123	DA	2.6 Kg
1E3036 Galaxy Slim E SR 5R3 AL/3000/99W/80/TB	862 x 188.4 x 57.6 ± 1mm	3000	12355	99W	125	30	3.8 Kg
1E3037 Galaxy Slim E SR 5R3 AL/4000/99W/80/TB	862 x 188.4 x 57.6 ± 1mm	4000	13025	99W	132	30	3.8 Kg
1E3038 Galaxy Slim E SR 5R3 AL/5000/99W/80/TB	862 x 188.4 x 57.6 ± 1mm	5000	13215	99W	134	30	3.8 Kg
1E3039 Galaxy Slim E SR 5R3 AL/3000/99W/80/NB	862 x 188.4 x 57.6 ± 1mm	3000	12490	99W	127	60	3.8 Kg
1E3040 Galaxy Slim E SR 5R3 AL/4000/99W/80/NB	862 x 188.4 x 57.6 ± 1mm	4000	13170	99W	134	60	3.8 Kg
1E3041 Galaxy Slim E SR 5R3 AL/5000/99W/80/NB	862 x 188.4 x 57.6 ± 1mm	5000	13365	99W	135	60	3.8 Kg
1E3042 Galaxy Slim E SR 5R3 AL/3000/99W/80/WB	862 x 188.4 x 57.6 ± 1mm	3000	12490	99W	127	90	3.8 Kg
1E3043 Galaxy Slim E SR 5R3 AL/4000/99W/80/WB	862 x 188.4 x 57.6 ± 1mm	4000	13170	99W	134	90	3.8 Kg
1E3044 Galaxy Slim E SR 5R3 AL/5000/99W/80/WB	862 x 188.4 x 57.6 ± 1mm	5000	13365	99W	135	90	3.8 Kg
1E3045 Galaxy Slim E SR 5R3 AL/3000/99W/80/DA	862 x 188.4 x 57.6 ± 1mm	3000	12330	99W	125	DA	3.8 Kg
1E3046 Galaxy Slim E SR 5R3 AL/4000/99W/80/DA	862 x 188.4 x 57.6 ± 1mm	4000	12995	99W	132	DA	3.8 Kg

Article Number	Dimensions (mm)	CCT (K)	Lumens (lm)	Power (W)	Efficiency (lm/watt)	Lens angle (degrees)	Weight (kg)
1E3047 Galaxy Slim E SR 5R3 AL/5000/99W/80/DA	862 x 188.4 x 57.6 ± 1mm	5000	13190	99W	134	DA	3.8 Kg
1E3048 Galaxy Slim E SR 5R3 AL/3000/124W/80/TB	862 x 188.4 x 57.6 ± 1mm	3000	14835	124W	120	30	3.8 Kg
1E3049 Galaxy Slim E SR 5R3 AL/4000/124W/80/TB	862 x 188.4 x 57.6 ± 1mm	4000	15640	124W	127	30	3.8 Kg
1E3050 Galaxy Slim E SR 5R3 AL/5000/124W/80/TB	862 x 188.4 x 57.6 ± 1mm	5000	15875	124W	129	30	3.8 Kg
1E3051 Galaxy Slim E SR 5R3 AL/3000/124W/80/NB	862 x 188.4 x 57.6 ± 1mm	3000	15000	124W	121	60	3.8 Kg
1E3052 Galaxy Slim E SR 5R3 AL/4000/124W/80/NB	862 x 188.4 x 57.6 ± 1mm	4000	15815	124W	128	60	3.8 Kg
1E3053 Galaxy Slim E SR 5R3 AL/5000/124W/80/NB	862 x 188.4 x 57.6 ± 1mm	5000	16050	124W	130	60	3.8 Kg
1E3054 Galaxy Slim E SR 5R3 AL/3000/124W/80/WB	862 x 188.4 x 57.6 ± 1mm	3000	15000	124W	121	90	3.8 Kg
1E3055 Galaxy Slim E SR 5R3 AL/4000/124W/80/WB	862 x 188.4 x 57.6 ± 1mm	4000	15815	124W	128	90	3.8 Kg
1E3056 Galaxy Slim E SR 5R3 AL/5000/124W/80/WB	862 x 188.4 x 57.6 ± 1mm	5000	16050	124W	130	90	3.8 Kg
1E3057 Galaxy Slim E SR 5R3 AL/3000/124W/80/DA	862 x 188.4 x 57.6 ± 1mm	3000	14805	124W	120	DA	3.8 Kg
1E3058 Galaxy Slim E SR 5R3 AL/4000/124W/80/DA	862 x 188.4 x 57.6 ± 1mm	4000	15610	124W	126	DA	3.8 Kg
1E3059 Galaxy Slim E SR 5R3 AL/5000/124W/80/DA	862 x 188.4 x 57.6 ± 1mm	5000	15840	124W	128	DA	3.8 Kg
1E3060 Galaxy Slim E SR 5R3 AL/3000/149W/80/TB	862 x 188.4 x 57.6 ± 1mm	3000	17125	149W	115	30	3.8 Kg
1E3061 Galaxy Slim E SR 5R3 AL/4000/149W/80/TB	862 x 188.4 x 57.6 ± 1mm	4000	18055	149W	122	30	3.8 Kg
1E3062 Galaxy Slim E SR 5R3 AL/5000/149W/80/TB	862 x 188.4 x 57.6 ± 1mm	5000	18325	149W	123	30	3.8 Kg
1E3063 Galaxy Slim E SR 5R3 AL/3000/149W/80/NB	862 x 188.4 x 57.6 ± 1mm	3000	17320	149W	117	60	3.8 Kg
1E3064 Galaxy Slim E SR 5R3 AL/4000/149W/80/NB	862 x 188.4 x 57.6 ± 1mm	4000	18260	149W	123	60	3.8 Kg
1E3065 Galaxy Slim E SR 5R3 AL/5000/149W/80/NB	862 x 188.4 x 57.6 ± 1mm	5000	18530	149W	125	60	3.8 Kg
1E3066 Galaxy Slim E SR 5R3 AL/3000/149W/80/WB	862 x 188.4 x 57.6 ± 1mm	3000	17320	149W	117	90	3.8 Kg
1E3067 Galaxy Slim E SR 5R3 AL/4000/149W/80/WB	862 x 188.4 x 57.6 ± 1mm	4000	18260	149W	123	90	3.8 Kg
1E3068 Galaxy Slim E SR 5R3 AL/5000/149W/80/WB	862 x 188.4 x 57.6 ± 1mm	5000	18530	149W	125	90	3.8 Kg
1E3069 Galaxy Slim E SR 5R3 AL/3000/149W/80/DA	862 x 188.4 x 57.6 ± 1mm	3000	17095	149W	115	DA	3.8 Kg
1E3070 Galaxy Slim E SR 5R3 AL/4000/149W/80/DA	862 x 188.4 x 57.6 ± 1mm	4000	18020	149W	121	DA	3.8 Kg
1E3071 Galaxy Slim E SR 5R3 AL/5000/149W/80/DA	862 x 188.4 x 57.6 ± 1mm	5000	18285	149W	123	DA	3.8 Kg
1E3072 Galaxy Slim E SR 5R4 AL/3000/131W/80/TB	1144 x 188.4 x 57.6 ± 1mm	3000	16535	131W	127	30	5 Kg
1E3073 Galaxy Slim E SR 5R4 AL/4000/131W/80/TB	1144 x 188.4 x 57.6 ± 1mm	4000	17430	131W	134	30	5 Kg
1E3074 Galaxy Slim E SR 5R4 AL/5000/131W/80/TB	1144 x 188.4 x 57.6 ± 1mm	5000	17690	131W	136	30	5 Kg
1E3075 Galaxy Slim E SR 5R4 AL/3000/131W/80/NB	1144 x 188.4 x 57.6 ± 1mm	3000	16720	131W	128	60	5 Kg
1E3076 Galaxy Slim E SR 5R4 AL/4000/131W/80/NB	1144 x 188.4 x 57.6 ± 1mm	4000	17625	131W	135	60	5 Kg
1E3077 Galaxy Slim E SR 5R4 AL/5000/131W/80/NB	1144 x 188.4 x 57.6 ± 1mm	5000	17885	131W	137	60	5 Kg
1E3078 Galaxy Slim E SR 5R4 AL/3000/131W/80/WB	1144 x 188.4 x 57.6 ± 1mm	3000	16720	131W	128	90	5 Kg
1E3079 Galaxy Slim E SR 5R4 AL/4000/131W/80/WB	1144 x 188.4 x 57.6 ± 1mm	4000	17625	131W	135	90	5 Kg
1E3080 Galaxy Slim E SR 5R4 AL/5000/131W/80/WB	1144 x 188.4 x 57.6 ± 1mm	5000	17885	131W	137	90	5 Kg
1E3081 Galaxy Slim E SR 5R4 AL/3000/131W/80/DA	1144 x 188.4 x 57.6 ± 1mm	3000	16500	131W	126	DA	5 Kg
1E3082 Galaxy Slim E SR 5R4 AL/4000/131W/80/DA	1144 x 188.4 x 57.6 ± 1mm	4000	17395	131W	133	DA	5 Kg
1E3083 Galaxy Slim E SR 5R4 AL/5000/131W/80/DA	1144 x 188.4 x 57.6 ± 1mm	5000	17655	131W	135	DA	5 Kg
1E3084 Galaxy Slim E SR 5R4 AL/3000/165W/80/TB	1144 x 188.4 x 57.6 ± 1mm	3000	19820	165W	121	30	5 Kg
1E3085 Galaxy Slim E SR 5R4 AL/4000/165W/80/TB	1144 x 188.4 x 57.6 ± 1mm	4000	20895	165W	127	30	5 Kg
1E3086 Galaxy Slim E SR 5R4 AL/5000/165W/80/TB	1144 x 188.4 x 57.6 ± 1mm	5000	21205	165W	129	30	5 Kg
1E3087 Galaxy Slim E SR 5R4 AL/3000/165W/80/NB	1144 x 188.4 x 57.6 ± 1mm	3000	20040	165W	122	60	5 Kg
1E3088 Galaxy Slim E SR 5R4 AL/4000/165W/80/NB	1144 x 188.4 x 57.6 ± 1mm	4000	21130	165W	129	60	5 Kg
1E3089 Galaxy Slim E SR 5R4 AL/5000/165W/80/NB	1144 x 188.4 x 57.6 ± 1mm	5000	21440	165W	130	60	5 Kg
1E3090 Galaxy Slim E SR 5R4 AL/3000/165W/80/WB	1144 x 188.4 x 57.6 ± 1mm	3000	20040	165W	122	90	5 Kg
1E3091 Galaxy Slim E SR 5R4 AL/4000/165W/80/WB	1144 x 188.4 x 57.6 ± 1mm	4000	21130	165W	129	90	5 Kg
1E3092 Galaxy Slim E SR 5R4 AL/5000/165W/80/WB	1144 x 188.4 x 57.6 ± 1mm	5000	21440	165W	130	90	5 Kg
1E3093 Galaxy Slim E SR 5R4 AL/3000/165W/80/DA	1144 x 188.4 x 57.6 ± 1mm	3000	19780	165W	120	DA	5 Kg

Article Number	Dimensions (mm)	CCT (K)	Lumens (lm)	Power (W)	Efficiency (lm/watt)	Lens angle (degrees)	Weight (kg)
1E3094 Galaxy Slim E SR 5R4 AL/4000/165W/80/DA	1144 x 188.4 x 57.6 ± 1mm	4000	20855	165W	127	DA	5 Kg
1E3095 Galaxy Slim E SR 5R4 AL/5000/165W/80/DA	1144 x 188.4 x 57.6 ± 1mm	5000	21165	165W	129	DA	5 Kg
1E3096 Galaxy Slim E SR 5R4 AL/3000/197W/80/TB	1144 x 188.4 x 57.6 ± 1mm	3000	22810	197W	116	30	5 Kg
1E3097 Galaxy Slim E SR 5R4 AL/4000/197W/80/TB	1144 x 188.4 x 57.6 ± 1mm	4000	24050	197W	123	30	5 Kg
1E3098 Galaxy Slim E SR 5R4 AL/5000/197W/80/TB	1144 x 188.4 x 57.6 ± 1mm	5000	24405	197W	124	30	5 Kg
1E3099 Galaxy Slim E SR 5R4 AL/3000/197W/80/NB	1144 x 188.4 x 57.6 ± 1mm	3000	23065	197W	118	60	5 Kg
1E3100 Galaxy Slim E SR 5R4 AL/4000/197W/80/NB	1144 x 188.4 x 57.6 ± 1mm	4000	24320	197W	124	60	5 Kg
1E3101 Galaxy Slim E SR 5R4 AL/5000/197W/80/NB	1144 x 188.4 x 57.6 ± 1mm	5000	24680	197W	126	60	5 Kg
1E3102 Galaxy Slim E SR 5R4 AL/3000/197W/80/WB	1144 x 188.4 x 57.6 ± 1mm	3000	23065	197W	118	90	5 Kg
1E3103 Galaxy Slim E SR 5R4 AL/4000/197W/80/WB	1144 x 188.4 x 57.6 ± 1mm	4000	24320	197W	124	90	5 Kg
1E3104 Galaxy Slim E SR 5R4 AL/5000/197W/80/WB	1144 x 188.4 x 57.6 ± 1mm	5000	24680	197W	126	90	5 Kg
1E3105 Galaxy Slim E SR 5R4 AL/3000/197W/80/DA	1144 x 188.4 x 57.6 ± 1mm	3000	22765	197W	116	DA	5 Kg
1E3106 Galaxy Slim E SR 5R4 AL/4000/197W/80/DA	1144 x 188.4 x 57.6 ± 1mm	4000	24000	197W	122	DA	5 Kg
1E3107 Galaxy Slim E SR 5R4 AL/5000/197W/80/DA	1144 x 188.4 x 57.6 ± 1mm	5000	24355	197W	124	DA	5 Kg
1E3108 Galaxy Slim E SR 5R5 AL/3000/163W/80/TB	1424 x 188.4 x 57.6 ± 1mm	3000	20205	163W	124	30	6.2 Kg
1E3109 Galaxy Slim E SR 5R5 AL/4000/163W/80/TB	1424 x 188.4 x 57.6 ± 1mm	4000	21300	163W	131	30	6.2 Kg
1E3110 Galaxy Slim E SR 5R5 AL/5000/163W/80/TB	1424 x 188.4 x 57.6 ± 1mm	5000	21615	163W	133	30	6.2 Kg
1E3111 Galaxy Slim E SR 5R5 AL/3000/163W/80/NB	1424 x 188.4 x 57.6 ± 1mm	3000	20430	163W	126	60	6.2 Kg
1E3112 Galaxy Slim E SR 5R5 AL/4000/163W/80/NB	1424 x 188.4 x 57.6 ± 1mm	4000	21540	163W	133	60	6.2 Kg
1E3113 Galaxy Slim E SR 5R5 AL/5000/163W/80/NB	1424 x 188.4 x 57.6 ± 1mm	5000	21860	163W	135	60	6.2 Kg
1E3114 Galaxy Slim E SR 5R5 AL/3000/163W/80/WB	1424 x 188.4 x 57.6 ± 1mm	3000	20430	163W	126	90	6.2 Kg
1E3115 Galaxy Slim E SR 5R5 AL/4000/163W/80/WB	1424 x 188.4 x 57.6 ± 1mm	4000	21540	163W	133	90	6.2 Kg
1E3116 Galaxy Slim E SR 5R5 AL/5000/163W/80/WB	1424 x 188.4 x 57.6 ± 1mm	5000	21860	163W	135	90	6.2 Kg
1E3117 Galaxy Slim E SR 5R5 AL/3000/163W/80/DA	1424 x 188.4 x 57.6 ± 1mm	3000	20165	163W	124	DA	6.2 Kg
1E3118 Galaxy Slim E SR 5R5 AL/4000/163W/80/DA	1424 x 188.4 x 57.6 ± 1mm	4000	21260	163W	131	DA	6.2 Kg
1E3119 Galaxy Slim E SR 5R5 AL/5000/163W/80/DA	1424 x 188.4 x 57.6 ± 1mm	5000	21575	163W	133	DA	6.2 Kg
1E3120 Galaxy Slim E SR 5R5 AL/3000/206W/80/TB	1424 x 188.4 x 57.6 ± 1mm	3000	24340	206W	119	30	6.2 Kg
1E3121 Galaxy Slim E SR 5R5 AL/4000/206W/80/TB	1424 x 188.4 x 57.6 ± 1mm	4000	25660	206W	125	30	6.2 Kg
1E3122 Galaxy Slim E SR 5R5 AL/5000/206W/80/TB	1424 x 188.4 x 57.6 ± 1mm	5000	26040	206W	127	30	6.2 Kg
1E3123 Galaxy Slim E SR 5R5 AL/3000/206W/80/NB	1424 x 188.4 x 57.6 ± 1mm	3000	24610	206W	120	60	6.2 Kg
1E3124 Galaxy Slim E SR 5R5 AL/4000/206W/80/NB	1424 x 188.4 x 57.6 ± 1mm	4000	25945	206W	126	60	6.2 Kg
1E3125 Galaxy Slim E SR 5R5 AL/5000/206W/80/NB	1424 x 188.4 x 57.6 ± 1mm	5000	26330	206W	128	60	6.2 Kg
1E3126 Galaxy Slim E SR 5R5 AL/3000/206W/80/WB	1424 x 188.4 x 57.6 ± 1mm	3000	24610	206W	120	90	6.2 Kg
1E3127 Galaxy Slim E SR 5R5 AL/4000/206W/80/WB	1424 x 188.4 x 57.6 ± 1mm	4000	25945	206W	126	90	6.2 Kg
1E3128 Galaxy Slim E SR 5R5 AL/5000/206W/80/WB	1424 x 188.4 x 57.6 ± 1mm	5000	26330	206W	128	90	6.2 Kg
1E3129 Galaxy Slim E SR 5R5 AL/3000/206W/80/DA	1424 x 188.4 x 57.6 ± 1mm	3000	24290	206W	118	DA	6.2 Kg
1E3130 Galaxy Slim E SR 5R5 AL/4000/206W/80/DA	1424 x 188.4 x 57.6 ± 1mm	4000	25610	206W	125	DA	6.2 Kg
1E3131 Galaxy Slim E SR 5R5 AL/5000/206W/80/DA	1424 x 188.4 x 57.6 ± 1mm	5000	25990	206W	127	DA	6.2 Kg
1E3132 Galaxy Slim E SR 5R5 AL/3000/244W/80/TB	1424 x 188.4 x 57.6 ± 1mm	3000	27580	244W	114	30	6.2 Kg
1E3133 Galaxy Slim E SR 5R5 AL/4000/244W/80/TB	1424 x 188.4 x 57.6 ± 1mm	4000	29075	244W	120	30	6.2 Kg
1E3134 Galaxy Slim E SR 5R5 AL/5000/244W/80/TB	1424 x 188.4 x 57.6 ± 1mm	5000	29505	244W	121	30	6.2 Kg
1E3135 Galaxy Slim E SR 5R5 AL/3000/244W/80/NB	1424 x 188.4 x 57.6 ± 1mm	3000	27885	244W	115	60	6.2 Kg
1E3136 Galaxy Slim E SR 5R5 AL/4000/244W/80/NB	1424 x 188.4 x 57.6 ± 1mm	4000	29400	244W	121	60	6.2 Kg
1E3137 Galaxy Slim E SR 5R5 AL/5000/244W/80/NB	1424 x 188.4 x 57.6 ± 1mm	5000	29835	244W	123	60	6.2 Kg
1E3138 Galaxy Slim E SR 5R5 AL/3000/244W/80/WB	1424 x 188.4 x 57.6 ± 1mm	3000	27885	244W	115	90	6.2 Kg
1E3139 Galaxy Slim E SR 5R5 AL/4000/244W/80/WB	1424 x 188.4 x 57.6 ± 1mm	4000	29400	244W	121	90	6.2 Kg
1E3140 Galaxy Slim E SR 5R5 AL/5000/244W/80/WB	1424 x 188.4 x 57.6 ± 1mm	5000	29835	244W	123	90	6.2 Kg

Article Number	Dimensions (mm)	CCT (K)	Lumens (lm)	Power (W)	Efficiency (lm/watt)	Lens angle (degrees)	Weight (kg)
1E3141 Galaxy Slim E SR 5R5 AL/3000/244W/80/DA	1424 x 188.4 x 57.6 ± 1mm	3000	27525	244W	113	DA	6.2 Kg
1E3142 Galaxy Slim E SR 5R5 AL/4000/244W/80/DA	1424 x 188.4 x 57.6 ± 1mm	4000	29020	244W	119	DA	6.2 Kg
1E3143 Galaxy Slim E SR 5R5 AL/5000/244W/80/DA	1424 x 188.4 x 57.6 ± 1mm	5000	29450	244W	121	DA	6.2 Kg