



## Sedona

### RECESSED DOWNLIGHTS | DALI SERIES

Round recessed LED downlight for general lighting and accent lighting with perfect glare control. Highly reflective aluminum finish for zero iridescence. Best for applications such as offices, showrooms, commercial areas, hospitals, hotels, airports.

Available in two series, with different add-ons and controls:

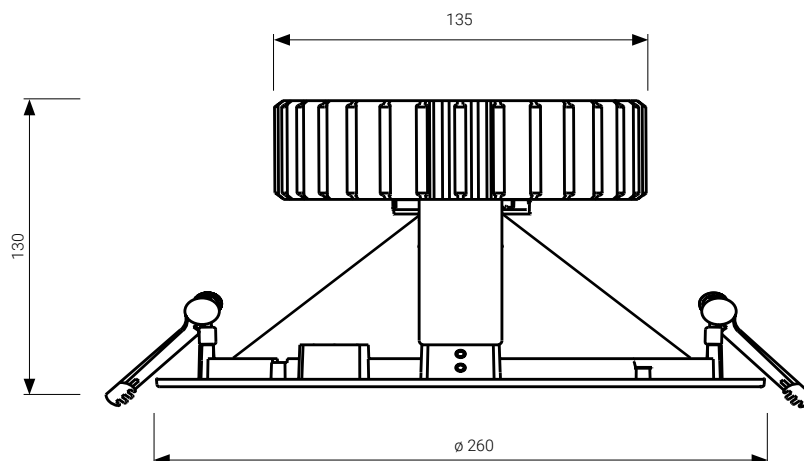
- Sedona Non-DALI – the standard for any project in the retail sector
- Sedona DALI – with DALI controls for illumination adjustments

### FEATURES & BENEFITS

- CCRI  $\geq 80$  standard, but higher is available
- Very long service life: 50,000 h at 90% luminous flux
- Luminaire efficiency: 131lm/W @4000K
- Beam angles: 90 °
- Dimmable

### APPLICATION

Grocery & Supermarkets | Retail | Office | Healthcare | Hospitality | DIY



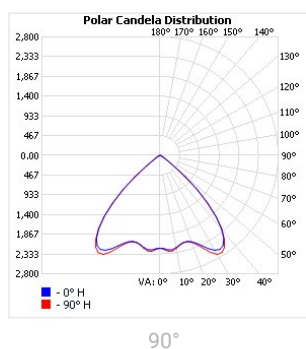
**SPECIFICATIONS**

Power consumption	12W, 14W, 17W, 20W, 23W, 27W, 29W, 34W, 35W, 42W
Dimensions	D260 x H130 x Ø240mm ±1mm
Weight	1.4 Kg
Housing materials	Aluminium, glass
IK code	IK02
THD (at 230V, 50Hz, Full load)	≤ 15%
Protection class	Safety class 1
Operating temperature [°C]	-20°C ... +45°C / -4F ... +113F
Operating humidity [%]	10 ÷ 85
Power factor	0.97
AC Input [Vac]	220 - 240 VAC
Lens angle [°]	90°
Lifespan [h]	50.000
Housing color	○ RAL 9003 - Signal white, ● RAL 9005 - Jet Black, ● RAL 9006 - White Aluminium
Lumen maintenance	L90/B10@50.000h at 25°C
IP factor	IP20
Control optional	DALI
Warranty [years]	5
Storage temperature range [°C]	-20°C ... +55°C / -4F ... +131F
Emergency option	-

#	Standard	Food	Fashion	AGI	ART	AMB
CRI	CRI80	CRI80	CRI95	CRI93	CRI98	CRI80
CCT [K]	2700 / 3000 / 3500 / 4000	BVF / FBS / FZM / FSM / FSH	FAS	AGI 3000 / 3500 / 4000	3000	2200
MacAdam	3	3 / 4 / 4 / 3 / 3	3	3	2	3

CRI - Color rendering, CCT - Color temperature, MacAdam - Color consistency

**LIGHT DISTRIBUTION**



**TOLERANCES**

---

**Luminous flux tolerances:** -/+ 5%

**Consumption tolerance:** -/+ 5% for Non-DALI | -/+ 10% for Non-DALI & KIT EM | -/+ 10% for DALI | -/+ 15% for DALI & KIT EM

**BATTERY WARRANTY**

---

**Non-DALI EM & DALI EM:** 12 months warranty

**Non-DALI & DALI:** -

**MAXIMUM NO. OF LUMINAIRES ON A CIRCUIT**

---

Luminaire Power(W)	Control type	Circuit Breaker Type							
		B				C			
		20	16	13	10	20	16	13	10
12-20W	Non-DALI	-	50	-	-	-	-		-
27-42W	Non-DALI	-	50	-	-	-	-		-
12-27W	DALI	47	37	29	22	78	62	48	37
35-42W	DALI	32	25	21	16	53	42	35	27

**RISK GROUP**

---

**RG1**

The evaluation of photobiological safety is carried out according to the standard IEC 62471:2008 ("Photobiological safety of lamps and lamp systems"). Following the definition of the risk grouping system of the mentioned IEC standard, the LEDs mounted on this family fall into the class "Low Risk (RG1 – No photobiological hazard under normal behavioral limitations)". Under real circumstances (regarding exposure time, pupils, observation distance), it is assumed that there is no endangerment to the eye from these devices. As a matter of principle, however, it should be mentioned that intense light sources have a high secondary exposure potential due to their blinding effect.

SKU SPECIFICATIONS

Product Code	Dimensions (mm)	CCT (K)	Lumens (lm)	Power (W)	Eff. (lm/watt)	Lens Angle (°)
<b>CRI 80</b>						
245792 Sedona D32029/2700/14W/80/A90	D260xH130mmxØ240mm±1mm	2700	1690	14W	121	90°
245793 Sedona D32029/3000/14W/80/A90	D260xH130mmxØ240mm±1mm	3000	1755	14W	126	90°
245794 Sedona D32029/3500/14W/80/A90	D260xH130mmxØ240mm±1mm	3500	1775	14W	127	90°
245795 Sedona D32029/4000/14W/80/A90	D260xH130mmxØ240mm±1mm	4000	1815	14W	130	90°
245796 Sedona D32029/2700/20W/80/A90	D260xH130mmxØ240mm±1mm	2700	2370	20W	119	90°
245797 Sedona D32029/3000/20W/80/A90	D260xH130mmxØ240mm±1mm	3000	2465	20W	124	90°
245798 Sedona D32029/3500/20W/80/A90	D260xH130mmxØ240mm±1mm	3500	2490	20W	125	90°
245799 Sedona D32029/4000/20W/80/A90	D260xH130mmxØ240mm±1mm	4000	2545	20W	128	90°
245800 Sedona D32029/2700/27W/80/A90	D260xH130mmxØ240mm±1mm	2700	3280	27W	122	90°
245801 Sedona D32029/3000/27W/80/A90	D260xH130mmxØ240mm±1mm	3000	3410	27W	127	90°
245802 Sedona D32029/3500/27W/80/A90	D260xH130mmxØ240mm±1mm	3500	3445	27W	128	90°
245803 Sedona D32029/4000/27W/80/A90	D260xH130mmxØ240mm±1mm	4000	3520	27W	131	90°
245804 Sedona D32029/2700/35W/80/A90	D260xH130mmxØ240mm±1mm	2700	4175	35W	120	90°
245805 Sedona D32029/3000/35W/80/A90	D260xH130mmxØ240mm±1mm	3000	4335	35W	124	90°
245806 Sedona D32029/3500/35W/80/A90	D260xH130mmxØ240mm±1mm	3500	4385	35W	126	90°
245807 Sedona D32029/4000/35W/80/A90	D260xH130mmxØ240mm±1mm	4000	4480	35W	128	90°
245808 Sedona D32029/2700/42W/80/A90	D260xH130mmxØ240mm±1mm	2700	4835	42W	116	90°
245809 Sedona D32029/3000/42W/80/A90	D260xH130mmxØ240mm±1mm	3000	5025	42W	120	90°
245810 Sedona D32029/3500/42W/80/A90	D260xH130mmxØ240mm±1mm	3500	5080	42W	121	90°
245811 Sedona D32029/4000/42W/80/A90	D260xH130mmxØ240mm±1mm	4000	5195	42W	124	90°
245812 Sedona D32029/BVF/14W/80/A90	D260xH130mmxØ240mm±1mm	BVF	1080	14W	77	90°
245813 Sedona D32029/FBS/14W/80/A90	D260xH130mmxØ240mm±1mm	FBS	855	14W	61	90°
245814 Sedona D32029/FZM/14W/80/A90	D260xH130mmxØ240mm±1mm	FZM	800	14W	57	90°
245815 Sedona D32029/FSM/14W/80/A90	D260xH130mmxØ240mm±1mm	FSM	800	14W	57	90°
245816 Sedona D32029/FSH/14W/80/A90	D260xH130mmxØ240mm±1mm	FSH	1180	14W	84	90°
245817 Sedona D32029/BVF/20W/80/A90	D260xH130mmxØ240mm±1mm	BVF	1540	20W	77	90°
245818 Sedona D32029/FBS/20W/80/A90	D260xH130mmxØ240mm±1mm	FBS	1220	20W	61	90°
245819 Sedona D32029/FZM/20W/80/A90	D260xH130mmxØ240mm±1mm	FZM	1140	20W	57	90°
245820 Sedona D32029/FSM/20W/80/A90	D260xH130mmxØ240mm±1mm	FSM	1140	20W	57	90°
245821 Sedona D32029/FSH/20W/80/A90	D260xH130mmxØ240mm±1mm	FSH	1680	20W	84	90°
245822 Sedona D32029/BVF/27W/80/A90	D260xH130mmxØ240mm±1mm	BVF	2065	27W	77	90°
245823 Sedona D32029/FBS/27W/80/A90	D260xH130mmxØ240mm±1mm	FBS	1635	27W	61	90°
245824 Sedona D32029/FZM/27W/80/A90	D260xH130mmxØ240mm±1mm	FZM	1530	27W	57	90°
245825 Sedona D32029/FSM/27W/80/A90	D260xH130mmxØ240mm±1mm	FSM	1530	27W	57	90°
245826 Sedona D32029/FSH/27W/80/A90	D260xH130mmxØ240mm±1mm	FSH	2250	27W	84	90°
245827 Sedona D32029/BVF/35W/80/A90	D260xH130mmxØ240mm±1mm	BVF	2590	35W	74	90°
245828 Sedona D32029/FBS/35W/80/A90	D260xH130mmxØ240mm±1mm	FBS	2115	35W	61	90°
245829 Sedona D32029/FZM/35W/80/A90	D260xH130mmxØ240mm±1mm	FZM	1980	35W	57	90°
245830 Sedona D32029/FSM/35W/80/A90	D260xH130mmxØ240mm±1mm	FSM	1980	35W	57	90°
245831 Sedona D32029/FSH/35W/80/A90	D260xH130mmxØ240mm±1mm	FSH	2755	35W	79	90°
245832 Sedona D32029/BVF/42W/80/A90	D260xH130mmxØ240mm±1mm	BVF	2870	42W	69	90°
245833 Sedona D32029/FBS/42W/80/A90	D260xH130mmxØ240mm±1mm	FBS	2450	42W	59	90°
245834 Sedona D32029/FZM/42W/80/A90	D260xH130mmxØ240mm±1mm	FZM	2325	42W	56	90°
245835 Sedona D32029/FSM/42W/80/A90	D260xH130mmxØ240mm±1mm	FSM	2325	42W	56	90°
245836 Sedona D32029/FSH/42W/80/A90	D260xH130mmxØ240mm±1mm	FSH	3155	42W	76	90°
<b>CRI 90</b>						
645792 Sedona D32029/2700/14W/90/A90	D260xH130mmxØ240mm±1mm	2700	1375	14W	99	90°
645793 Sedona D32029/3000/14W/90/A90	D260xH130mmxØ240mm±1mm	3000	1430	14W	103	90°
645794 Sedona D32029/3500/14W/90/A90	D260xH130mmxØ240mm±1mm	3500	1495	14W	107	90°
645795 Sedona D32029/4000/14W/90/A90	D260xH130mmxØ240mm±1mm	4000	1565	14W	112	90°

SKU SPECIFICATIONS

Product Code	Dimensions (mm)	CCT (K)	Lumens (lm)	Power (W)	Eff. (lm/watt)	Lens Angle (°)
<b>CRI 90</b>						
645796 Sedona D32029/2700/20W/90/A90	D260xH130mmxØ240mm±1mm	2700	1925	20W	97	90°
645797 Sedona D32029/3000/20W/90/A90	D260xH130mmxØ240mm±1mm	3000	2005	20W	101	90°
645798 Sedona D32029/3500/20W/90/A90	D260xH130mmxØ240mm±1mm	3500	2095	20W	105	90°
645799 Sedona D32029/4000/20W/90/A90	D260xH130mmxØ240mm±1mm	4000	2190	20W	110	90°
645800 Sedona D32029/2700/27W/90/A90	D260xH130mmxØ240mm±1mm	2700	2690	27W	100	90°
645801 Sedona D32029/3000/27W/90/A90	D260xH130mmxØ240mm±1mm	3000	2865	27W	107	90°
645802 Sedona D32029/3500/27W/90/A90	D260xH130mmxØ240mm±1mm	3500	2895	27W	108	90°
645803 Sedona D32029/4000/27W/90/A90	D260xH130mmxØ240mm±1mm	4000	2975	27W	111	90°
645804 Sedona D32029/2700/35W/90/A90	D260xH130mmxØ240mm±1mm	2700	3425	35W	98	90°
645805 Sedona D32029/3000/35W/90/A90	D260xH130mmxØ240mm±1mm	3000	3645	35W	105	90°
645806 Sedona D32029/3500/35W/90/A90	D260xH130mmxØ240mm±1mm	3500	3685	35W	106	90°
645807 Sedona D32029/4000/35W/90/A90	D260xH130mmxØ240mm±1mm	4000	3790	35W	109	90°
645808 Sedona D32029/2700/42W/90/A90	D260xH130mmxØ240mm±1mm	2700	3965	42W	95	90°
645809 Sedona D32029/3000/42W/90/A90	D260xH130mmxØ240mm±1mm	3000	4225	42W	101	90°
645810 Sedona D32029/3500/42W/90/A90	D260xH130mmxØ240mm±1mm	3500	4270	42W	102	90°
645811 Sedona D32029/4000/42W/90/A90	D260xH130mmxØ240mm±1mm	4000	4390	42W	105	90°
<b>CRI 95</b>						
245837 Sedona D32029/FAS/14W/95/A90	D260xH130mmxØ240mm±1mm	FAS	1165	14W	84	90°
245838 Sedona D32029/FAS/20W/95/A90	D260xH130mmxØ240mm±1mm	FAS	1610	20W	81	90°
245839 Sedona D32029/FAS/27W/95/A90	D260xH130mmxØ240mm±1mm	FAS	2080	27W	78	90°
245840 Sedona D32029/FAS/35W/95/A90	D260xH130mmxØ240mm±1mm	FAS	2535	35W	73	90°
245841 Sedona D32029/FAS/42W/95/A90	D260xH130mmxØ240mm±1mm	FAS	2930	42W	70	90°
<b>CRI 98</b>						
245842 Sedona D32029/ART3000/14W/98/A90	D260xH130mmxØ240mm±1mm	ART3000	1160	14W	83	90°
245843 Sedona D32029/ART3000/20W/98/A90	D260xH130mmxØ240mm±1mm	ART3000	1600	20W	80	90°
245844 Sedona D32029/ART3000/27W/98/A90	D260xH130mmxØ240mm±1mm	ART3000	1995	27W	74	90°
245845 Sedona D32029/ART3000/35W/98/A90	D260xH130mmxØ240mm±1mm	ART3000	2425	35W	70	90°
245846 Sedona D32029/ART3000/42W/98/A90	D260xH130mmxØ240mm±1mm	ART3000	2755	42W	66	90°
<b>CRI 80</b>						
245847 Sedona D32029/AMB2200/14W/80/A90	D260xH130mmxØ240mm±1mm	AMB2200	1020	14W	73	90°
245848 Sedona D32029/AMB2200/20W/80/A90	D260xH130mmxØ240mm±1mm	AMB2200	1410	20W	71	90°
245849 Sedona D32029/AMB2200/27W/80/A90	D260xH130mmxØ240mm±1mm	AMB2200	1870	27W	70	90°
245850 Sedona D32029/AMB2200/35W/80/A90	D260xH130mmxØ240mm±1mm	AMB2200	2585	35W	74	90°
245851 Sedona D32029/AMB2200/42W/80/A90	D260xH130mmxØ240mm±1mm	AMB2200	2930	42W	70	90°
<b>CRI 93</b>						
245852 Sedona D32029/AGI3000/12W/93/A90	D260xH130mmxØ240mm±1mm	AGI3000	735	12W	62	90°
245853 Sedona D32029/AGI3500/12W/93/A90	D260xH130mmxØ240mm±1mm	AGI3500	780	12W	65	90°
245854 Sedona D32029/AGI4000/12W/93/A90	D260xH130mmxØ240mm±1mm	AGI4000	830	12W	70	90°
245855 Sedona D32029/AGI3000/17W/93/A90	D260xH130mmxØ240mm±1mm	AGI3000	985	17W	58	90°
245856 Sedona D32029/AGI3500/17W/93/A90	D260xH130mmxØ240mm±1mm	AGI3500	1050	17W	62	90°
245857 Sedona D32029/AGI4000/17W/93/A90	D260xH130mmxØ240mm±1mm	AGI4000	1115	17W	66	90°
245858 Sedona D32029/AGI3000/23W/93/A90	D260xH130mmxØ240mm±1mm	AGI3000	1330	23W	58	90°
245859 Sedona D32029/AGI3500/23W/93/A90	D260xH130mmxØ240mm±1mm	AGI3500	1440	23W	63	90°
245860 Sedona D32029/AGI4000/23W/93/A90	D260xH130mmxØ240mm±1mm	AGI4000	1550	23W	68	90°
245861 Sedona D32029/AGI3000/29W/93/A90	D260xH130mmxØ240mm±1mm	AGI3000	1680	29W	58	90°
245862 Sedona D32029/AGI3500/29W/93/A90	D260xH130mmxØ240mm±1mm	AGI3500	1820	29W	63	90°
245863 Sedona D32029/AGI4000/29W/93/A90	D260xH130mmxØ240mm±1mm	AGI4000	1960	29W	68	90°
245864 Sedona D32029/AGI3000/34W/93/A90	D260xH130mmxØ240mm±1mm	AGI3000	1900	34W	56	90°

## SKU SPECIFICATIONS

Product Code	Dimensions (mm)	CCT (K)	Lumens (lm)	Power (W)	Eff. (lm/watt)	Lens Angle (°)
<b>CRI 93</b>						
245865 Sedona D32029/AGI3500/34W/93/A90	D260xH130mmxØ240mm±1mm	AGI3500	1995	34W	59	90°
245866 Sedona D32029/AGI4000/34W/93/A90	D260xH130mmxØ240mm±1mm	AGI4000	2095	34W	62	90°

\*Preliminary data sheet

Technical specifications can be modified without prior notice. All information is property of Greentek Lighting.

The presentation picture is for information purposes only. Latest document update: August 19, 2025 12:14 PM. [www.greentek.eu](http://www.greentek.eu)