



Vela

RECESSED DOWNLIGHTS | DALI SERIES

Waterproof Downlight with IP65 Protection & Premium Extruded Aluminum Construction
 The IP65 protection rating provides full dust-tight sealing and superior resistance to water, including splashes from any angle.

It is the ideal lighting solution for high-humidity indoor areas or locations where contact with water is likely, ensuring consistent performance and reliable operation even in challenging environmental conditions.

Vela come in several series, with various add-on and controls:

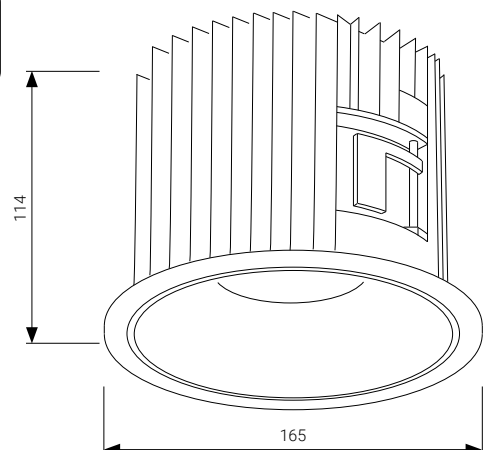
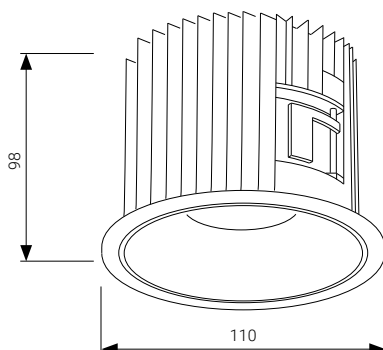
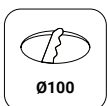
- Vela Non-DALI – the standard for any project
- Vela DALI – with DALI controls for illumination

APPLICATION

Supermarket | Fashion | Retail | Hospitality | Exhibition | Architectural

FEATURES & BENEFITS

- CRI 80 as standard
- Great variety of optics: 15°, 24°, 38°
- Luminaire efficiency: 102 lm/W @4000K
- 5 years warranty



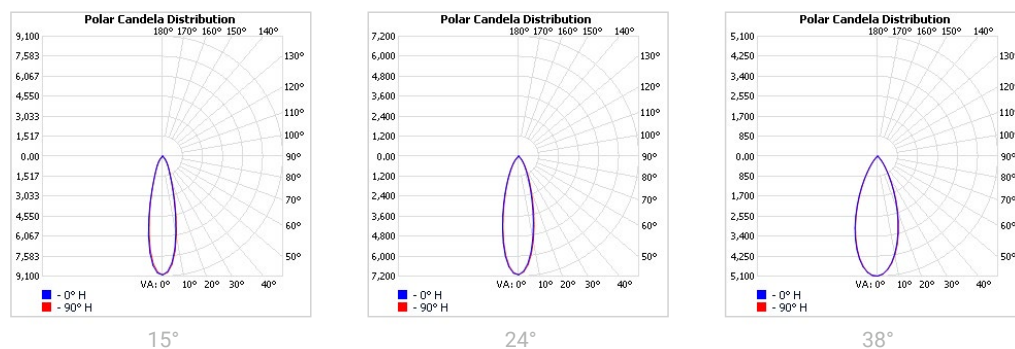
SPECIFICATIONS

| | | |
|--------------------------------|---|-------------------------|
| Dimensions | D110xH98mmxØ100mm±1mm | D165xH114mmxØ155mm±1mm |
| Power consumption | 14W, 20W, 27W | 14W, 20W, 27W, 35W, 42W |
| Housing materials | Aluminium, glass | |
| IK code | IK08 | |
| THD (at 230V, 50Hz, Full load) | <15% | |
| Protection class | Safety class 1 | |
| Operating temperature [°C] | -20C...+50C/-4F...+122F | |
| Operating humidity [%] | 10 ÷ 85 | |
| Power factor | ≥0.95 | |
| AC Input [Vac] | 220 - 240 VAC | |
| Lens angle [°] | 15°, 24°, 38° | |
| Lifespan [h] | 50.000 | |
| Housing color | ○ RAL 9003 - signal white ● RAL 9005 - jet black ● RAL 9006 - white aluminium | |
| Lumen maintenance | L90/B10@50.000h at 25°C | |
| IP factor (general) | IP65 CASE | |
| Control option | DALI | |
| Warranty [years] | 5 | |
| Storage temperature range [°C] | -20C...+50C/-4F...+122F | |
| Emergency option | - | |
| Efficiency@4000K | 102 lm/watt | |

| | |
|-------------------|---------------------------|
| Light application | Standard |
| CRI | CRI80 |
| CCT [K] | 2700 / 3000 / 3500 / 4000 |
| MacAdam | 3 |

CRI - Color rendering, CCT - Color temperature, MacAdam - Color consistency

LIGHT DISTRIBUTION



TOLERANCES

Luminous flux tolerances: -/+ 5%

Consumption tolerance: -/+ 5% for Non-DALI | -/+ 10% for Non-DALI & KIT EM | -/+ 10% for DALI | -/+ 15% for DALI & KIT EM

BATTERY WARRANTY

Non-DALI EM & DALI EM: 12 months warranty

Non-DALI & DALI: -

MAXIMUM NO. OF LUMINAIRES ON A CIRCUIT

| Luminaire Power(W) | Control type | Circuit Breaker Type | | | | | | | |
|--------------------|--------------|----------------------|----|-----|-----|-----|-----|-----|-----|
| | | B | | | | C | | | |
| | | 20 | 16 | 13 | 10 | 20 | 16 | 13 | 10 |
| 14W, 20W | Non-DALI | N/A | 50 | N/A | N/A | N/A | N/A | N/A | N/A |
| 27W, 35W, 42W | Non-DALI | N/A | 50 | N/A | N/A | N/A | N/A | N/A | N/A |
| 24W, 20W, 27W | DALI | 47 | 37 | 29 | 22 | 78 | 62 | 48 | 37 |
| 35W-42W | DALI | 32 | 25 | 21 | 16 | 53 | 42 | 35 | 27 |

RISK GROUP

Standard (CRI80) RG1

CRI90 RG1

RG1

The evaluation of photobiological safety is carried out according to the standard IEC 62471:2008 ("Photobiological safety of lamps and lamp systems"). Following the definition of the risk grouping system of the mentioned IEC standard, the LEDs mounted on this family fall into the class "Low Risk (RG1 – No photobiological hazard under normal behavioral limitations)". Under real circumstances (regarding exposure time, pupils, observation distance), it is assumed that there is no endangerment to the eye from these devices. As a matter of principle, however, it should be mentioned that intense light sources have a high secondary exposure potential due to their blinding effect.

SKU SPECIFICATIONS

| Product Code | Dimensions (mm) | CCT (K) | Lumens (lm) | Power (W) | Eff. (lm/watt) | Lens Angle (°) | Weight (kg) |
|------------------------------------|------------------------|---------|-------------|-----------|----------------|----------------|-------------|
| CRI 80 | | | | | | | |
| 2H0000 Vela D33024/2700/14W/80/A15 | D110xH98mmxØ100mm±1mm | 2700 | 1325 | 14W | 95 | A15 | 0.85 Kg |
| 2H0001 Vela D33024/3000/14W/80/A15 | D110xH98mmxØ100mm±1mm | 3000 | 1375 | 14W | 99 | A15 | 0.85 Kg |
| 2H0002 Vela D33024/3500/14W/80/A15 | D110xH98mmxØ100mm±1mm | 3500 | 1395 | 14W | 100 | A15 | 0.85 Kg |
| 2H0003 Vela D33024/4000/14W/80/A15 | D110xH98mmxØ100mm±1mm | 4000 | 1425 | 14W | 102 | A15 | 0.85 Kg |
| 2H0004 Vela D33024/2700/14W/80/A24 | D110xH98mmxØ100mm±1mm | 2700 | 1325 | 14W | 95 | A24 | 0.85 Kg |
| 2H0005 Vela D33024/3000/14W/80/A24 | D110xH98mmxØ100mm±1mm | 3000 | 1375 | 14W | 99 | A24 | 0.85 Kg |
| 2H0006 Vela D33024/3500/14W/80/A24 | D110xH98mmxØ100mm±1mm | 3500 | 1395 | 14W | 100 | A24 | 0.85 Kg |
| 2H0007 Vela D33024/4000/14W/80/A24 | D110xH98mmxØ100mm±1mm | 4000 | 1425 | 14W | 102 | A24 | 0.85 Kg |
| 2H0008 Vela D33024/2700/14W/80/A38 | D110xH98mmxØ100mm±1mm | 2700 | 1325 | 14W | 95 | A38 | 0.85 Kg |
| 2H0009 Vela D33024/3000/14W/80/A38 | D110xH98mmxØ100mm±1mm | 3000 | 1375 | 14W | 99 | A38 | 0.85 Kg |
| 2H0010 Vela D33024/3500/14W/80/A38 | D110xH98mmxØ100mm±1mm | 3500 | 1395 | 14W | 100 | A38 | 0.85 Kg |
| 2H0011 Vela D33024/4000/14W/80/A38 | D110xH98mmxØ100mm±1mm | 4000 | 1425 | 14W | 102 | A38 | 0.85 Kg |
| 2H0012 Vela D33024/2700/20W/80/A15 | D110xH98mmxØ100mm±1mm | 2700 | 1850 | 20W | 93 | A15 | 0.85 Kg |
| 2H0013 Vela D33024/3000/20W/80/A15 | D110xH98mmxØ100mm±1mm | 3000 | 1920 | 20W | 96 | A15 | 0.85 Kg |
| 2H0014 Vela D33024/3500/20W/80/A15 | D110xH98mmxØ100mm±1mm | 3500 | 1945 | 20W | 98 | A15 | 0.85 Kg |
| 2H0015 Vela D33024/4000/20W/80/A15 | D110xH98mmxØ100mm±1mm | 4000 | 1985 | 20W | 100 | A15 | 0.85 Kg |
| 2H0016 Vela D33024/2700/20W/80/A24 | D110xH98mmxØ100mm±1mm | 2700 | 1850 | 20W | 93 | A24 | 0.85 Kg |
| 2H0017 Vela D33024/3000/20W/80/A24 | D110xH98mmxØ100mm±1mm | 3000 | 1920 | 20W | 96 | A24 | 0.85 Kg |
| 2H0018 Vela D33024/3500/20W/80/A24 | D110xH98mmxØ100mm±1mm | 3500 | 1945 | 20W | 98 | A24 | 0.85 Kg |
| 2H0019 Vela D33024/4000/20W/80/A24 | D110xH98mmxØ100mm±1mm | 4000 | 1985 | 20W | 100 | A24 | 0.85 Kg |
| 2H0020 Vela D33024/2700/20W/80/A38 | D110xH98mmxØ100mm±1mm | 2700 | 1850 | 20W | 93 | A38 | 0.85 Kg |
| 2H0021 Vela D33024/3000/20W/80/A38 | D110xH98mmxØ100mm±1mm | 3000 | 1920 | 20W | 96 | A38 | 0.85 Kg |
| 2H0022 Vela D33024/3500/20W/80/A38 | D110xH98mmxØ100mm±1mm | 3500 | 1945 | 20W | 98 | A38 | 0.85 Kg |
| 2H0023 Vela D33024/4000/20W/80/A38 | D110xH98mmxØ100mm±1mm | 4000 | 1985 | 20W | 100 | A38 | 0.85 Kg |
| 2H0024 Vela D33024/2700/27W/80/A15 | D110xH98mmxØ100mm±1mm | 2700 | 2475 | 27W | 92 | A15 | 0.85 Kg |
| 2H0025 Vela D33024/3000/27W/80/A15 | D110xH98mmxØ100mm±1mm | 3000 | 2570 | 27W | 96 | A15 | 0.85 Kg |
| 2H0026 Vela D33024/3500/27W/80/A15 | D110xH98mmxØ100mm±1mm | 3500 | 2600 | 27W | 97 | A15 | 0.85 Kg |
| 2H0027 Vela D33024/4000/27W/80/A15 | D110xH98mmxØ100mm±1mm | 4000 | 2655 | 27W | 99 | A15 | 0.85 Kg |
| 2H0028 Vela D33024/2700/27W/80/A24 | D110xH98mmxØ100mm±1mm | 2700 | 2475 | 27W | 92 | A24 | 0.85 Kg |
| 2H0029 Vela D33024/3000/27W/80/A24 | D110xH98mmxØ100mm±1mm | 3000 | 2570 | 27W | 96 | A24 | 0.85 Kg |
| 2H0030 Vela D33024/3500/27W/80/A24 | D110xH98mmxØ100mm±1mm | 3500 | 2600 | 27W | 97 | A24 | 0.85 Kg |
| 2H0031 Vela D33024/4000/27W/80/A24 | D110xH98mmxØ100mm±1mm | 4000 | 2655 | 27W | 99 | A24 | 0.85 Kg |
| 2H0032 Vela D33024/2700/27W/80/A38 | D110xH98mmxØ100mm±1mm | 2700 | 2475 | 27W | 92 | A38 | 0.85 Kg |
| 2H0033 Vela D33024/3000/27W/80/A38 | D110xH98mmxØ100mm±1mm | 3000 | 2570 | 27W | 96 | A38 | 0.85 Kg |
| 2H0034 Vela D33024/3500/27W/80/A38 | D110xH98mmxØ100mm±1mm | 3500 | 2600 | 27W | 97 | A38 | 0.85 Kg |
| 2H0035 Vela D33024/4000/27W/80/A38 | D110xH98mmxØ100mm±1mm | 4000 | 2655 | 27W | 99 | A38 | 0.85 Kg |
| 2H0036 Vela D33026/2700/14W/80/A15 | D165xH114mmxØ155mm±1mm | 2700 | 1255 | 14W | 90 | A15 | 1.5 Kg |
| 2H0037 Vela D33026/3000/14W/80/A15 | D165xH114mmxØ155mm±1mm | 3000 | 1300 | 14W | 93 | A15 | 1.5 Kg |
| 2H0038 Vela D33026/3500/14W/80/A15 | D165xH114mmxØ155mm±1mm | 3500 | 1345 | 14W | 97 | A15 | 1.5 Kg |
| 2H0039 Vela D33026/4000/14W/80/A15 | D165xH114mmxØ155mm±1mm | 4000 | 1370 | 14W | 98 | A15 | 1.5 Kg |
| 2H0040 Vela D33026/2700/14W/80/A24 | D165xH114mmxØ155mm±1mm | 2700 | 1255 | 14W | 90 | A24 | 1.5 Kg |
| 2H0041 Vela D33026/3000/14W/80/A24 | D165xH114mmxØ155mm±1mm | 3000 | 1300 | 14W | 93 | A24 | 1.5 Kg |
| 2H0042 Vela D33026/3500/14W/80/A24 | D165xH114mmxØ155mm±1mm | 3500 | 1345 | 14W | 97 | A24 | 1.5 Kg |
| 2H0043 Vela D33026/4000/14W/80/A24 | D165xH114mmxØ155mm±1mm | 4000 | 1370 | 14W | 98 | A24 | 1.5 Kg |
| 2H0044 Vela D33026/2700/14W/80/A38 | D165xH114mmxØ155mm±1mm | 2700 | 1255 | 14W | 90 | A38 | 1.5 Kg |
| 2H0045 Vela D33026/3000/14W/80/A38 | D165xH114mmxØ155mm±1mm | 3000 | 1300 | 14W | 93 | A38 | 1.5 Kg |
| 2H0046 Vela D33026/3500/14W/80/A38 | D165xH114mmxØ155mm±1mm | 3500 | 1345 | 14W | 97 | A38 | 1.5 Kg |
| 2H0047 Vela D33026/4000/14W/80/A38 | D165xH114mmxØ155mm±1mm | 4000 | 1370 | 14W | 98 | A38 | 1.5 Kg |
| 2H0048 Vela D33026/2700/20W/80/A15 | D165xH114mmxØ155mm±1mm | 2700 | 1755 | 20W | 88 | A15 | 1.5 Kg |
| 2H0049 Vela D33026/3000/20W/80/A15 | D165xH114mmxØ155mm±1mm | 3000 | 1820 | 20W | 91 | A15 | 1.5 Kg |

SKU SPECIFICATIONS

| Product Code | Dimensions (mm) | CCT (K) | Lumens (lm) | Power (W) | Eff. (lm/watt) | Lens Angle (°) | Weight (kg) |
|------------------------------------|------------------------|---------|-------------|-----------|----------------|----------------|-------------|
| CRI 80 | | | | | | | |
| 2H0050 Vela D33026/3500/20W/80/A15 | D165xH114mmxØ155mm±1mm | 3500 | 1885 | 20W | 95 | A15 | 1.5 Kg |
| 2H0051 Vela D33026/4000/20W/80/A15 | D165xH114mmxØ155mm±1mm | 4000 | 1920 | 20W | 96 | A15 | 1.5 Kg |
| 2H0052 Vela D33026/2700/20W/80/A24 | D165xH114mmxØ155mm±1mm | 2700 | 1755 | 20W | 88 | A24 | 1.5 Kg |
| 2H0053 Vela D33026/3000/20W/80/A24 | D165xH114mmxØ155mm±1mm | 3000 | 1820 | 20W | 91 | A24 | 1.5 Kg |
| 2H0054 Vela D33026/3500/20W/80/A24 | D165xH114mmxØ155mm±1mm | 3500 | 1885 | 20W | 95 | A24 | 1.5 Kg |
| 2H0055 Vela D33026/4000/20W/80/A24 | D165xH114mmxØ155mm±1mm | 4000 | 1920 | 20W | 96 | A24 | 1.5 Kg |
| 2H0056 Vela D33026/2700/20W/80/A38 | D165xH114mmxØ155mm±1mm | 2700 | 1755 | 20W | 88 | A38 | 1.5 Kg |
| 2H0057 Vela D33026/3000/20W/80/A38 | D165xH114mmxØ155mm±1mm | 3000 | 1820 | 20W | 91 | A38 | 1.5 Kg |
| 2H0058 Vela D33026/3500/20W/80/A38 | D165xH114mmxØ155mm±1mm | 3500 | 1885 | 20W | 95 | A38 | 1.5 Kg |
| 2H0059 Vela D33026/4000/20W/80/A38 | D165xH114mmxØ155mm±1mm | 4000 | 1920 | 20W | 96 | A38 | 1.5 Kg |
| 2H0060 Vela D33026/2700/27W/80/A15 | D165xH114mmxØ155mm±1mm | 2700 | 2340 | 27W | 87 | A15 | 1.5 Kg |
| 2H0061 Vela D33026/3000/27W/80/A15 | D165xH114mmxØ155mm±1mm | 3000 | 2440 | 27W | 91 | A15 | 1.5 Kg |
| 2H0062 Vela D33026/3500/27W/80/A15 | D165xH114mmxØ155mm±1mm | 3500 | 2460 | 27W | 92 | A15 | 1.5 Kg |
| 2H0063 Vela D33026/4000/27W/80/A15 | D165xH114mmxØ155mm±1mm | 4000 | 2510 | 27W | 93 | A15 | 1.5 Kg |
| 2H0064 Vela D33026/2700/27W/80/A24 | D165xH114mmxØ155mm±1mm | 2700 | 2340 | 27W | 87 | A24 | 1.5 Kg |
| 2H0065 Vela D33026/3000/27W/80/A24 | D165xH114mmxØ155mm±1mm | 3000 | 2440 | 27W | 91 | A24 | 1.5 Kg |
| 2H0066 Vela D33026/3500/27W/80/A24 | D165xH114mmxØ155mm±1mm | 3500 | 2460 | 27W | 92 | A24 | 1.5 Kg |
| 2H0067 Vela D33026/4000/27W/80/A24 | D165xH114mmxØ155mm±1mm | 4000 | 2510 | 27W | 93 | A24 | 1.5 Kg |
| 2H0068 Vela D33026/2700/27W/80/A38 | D165xH114mmxØ155mm±1mm | 2700 | 2340 | 27W | 87 | A38 | 1.5 Kg |
| 2H0069 Vela D33026/3000/27W/80/A38 | D165xH114mmxØ155mm±1mm | 3000 | 2440 | 27W | 91 | A38 | 1.5 Kg |
| 2H0070 Vela D33026/3500/27W/80/A38 | D165xH114mmxØ155mm±1mm | 3500 | 2460 | 27W | 92 | A38 | 1.5 Kg |
| 2H0071 Vela D33026/4000/27W/80/A38 | D165xH114mmxØ155mm±1mm | 4000 | 2510 | 27W | 93 | A38 | 1.5 Kg |
| 2H0072 Vela D33026/2700/35W/80/A15 | D165xH114mmxØ155mm±1mm | 2700 | 2945 | 35W | 85 | A15 | 1.5 Kg |
| 2H0073 Vela D33026/3000/35W/80/A15 | D165xH114mmxØ155mm±1mm | 3000 | 3065 | 35W | 88 | A15 | 1.5 Kg |
| 2H0074 Vela D33026/3500/35W/80/A15 | D165xH114mmxØ155mm±1mm | 3500 | 3095 | 35W | 89 | A15 | 1.5 Kg |
| 2H0075 Vela D33026/4000/35W/80/A15 | D165xH114mmxØ155mm±1mm | 4000 | 3155 | 35W | 91 | A15 | 1.5 Kg |
| 2H0076 Vela D33026/2700/35W/80/A24 | D165xH114mmxØ155mm±1mm | 2700 | 2945 | 35W | 85 | A24 | 1.5 Kg |
| 2H0077 Vela D33026/3000/35W/80/A24 | D165xH114mmxØ155mm±1mm | 3000 | 3065 | 35W | 88 | A24 | 1.5 Kg |
| 2H0078 Vela D33026/3500/35W/80/A24 | D165xH114mmxØ155mm±1mm | 3500 | 3095 | 35W | 89 | A24 | 1.5 Kg |
| 2H0079 Vela D33026/4000/35W/80/A24 | D165xH114mmxØ155mm±1mm | 4000 | 3155 | 35W | 91 | A24 | 1.5 Kg |
| 2H0080 Vela D33026/2700/35W/80/A38 | D165xH114mmxØ155mm±1mm | 2700 | 2945 | 35W | 85 | A38 | 1.5 Kg |
| 2H0081 Vela D33026/3000/35W/80/A38 | D165xH114mmxØ155mm±1mm | 3000 | 3065 | 35W | 88 | A38 | 1.5 Kg |
| 2H0082 Vela D33026/3500/35W/80/A38 | D165xH114mmxØ155mm±1mm | 3500 | 3095 | 35W | 89 | A38 | 1.5 Kg |
| 2H0083 Vela D33026/4000/35W/80/A38 | D165xH114mmxØ155mm±1mm | 4000 | 3155 | 35W | 91 | A38 | 1.5 Kg |
| 2H0084 Vela D33026/2700/42W/80/A15 | D165xH114mmxØ155mm±1mm | 2700 | 3360 | 42W | 80 | A15 | 1.5 Kg |
| 2H0085 Vela D33026/3000/42W/80/A15 | D165xH114mmxØ155mm±1mm | 3000 | 3510 | 42W | 84 | A15 | 1.5 Kg |
| 2H0086 Vela D33026/3500/42W/80/A15 | D165xH114mmxØ155mm±1mm | 3500 | 3640 | 42W | 87 | A15 | 1.5 Kg |
| 2H0087 Vela D33026/4000/42W/80/A15 | D165xH114mmxØ155mm±1mm | 4000 | 3685 | 42W | 88 | A15 | 1.5 Kg |
| 2H0088 Vela D33026/2700/42W/80/A24 | D165xH114mmxØ155mm±1mm | 2700 | 3360 | 42W | 80 | A24 | 1.5 Kg |
| 2H0089 Vela D33026/3000/42W/80/A24 | D165xH114mmxØ155mm±1mm | 3000 | 3510 | 42W | 84 | A24 | 1.5 Kg |
| 2H0090 Vela D33026/3500/42W/80/A24 | D165xH114mmxØ155mm±1mm | 3500 | 3640 | 42W | 87 | A24 | 1.5 Kg |
| 2H0091 Vela D33026/4000/42W/80/A24 | D165xH114mmxØ155mm±1mm | 4000 | 3685 | 42W | 88 | A24 | 1.5 Kg |
| 2H0092 Vela D33026/2700/42W/80/A38 | D165xH114mmxØ155mm±1mm | 2700 | 3360 | 42W | 80 | A38 | 1.5 Kg |
| 2H0093 Vela D33026/3000/42W/80/A38 | D165xH114mmxØ155mm±1mm | 3000 | 3510 | 42W | 84 | A38 | 1.5 Kg |
| 2H0094 Vela D33026/3500/42W/80/A38 | D165xH114mmxØ155mm±1mm | 3500 | 3640 | 42W | 87 | A38 | 1.5 Kg |
| 2H0095 Vela D33026/4000/42W/80/A38 | D165xH114mmxØ155mm±1mm | 4000 | 3685 | 42W | 88 | A38 | 1.5 Kg |

Technical specifications can be modified without prior notice. All information is property of Greentek Lighting.
 The presentation picture is for information purposes only. Latest document update: June 25, 2025 1:56 PM. www.greentek.eu