



Vela

RECESSED DOWNLIGHTS | DALI SERIES

Waterproof Downlight with IP65 Protection & Premium Extruded Aluminum Construction
 The IP65 protection rating provides full dust-tight sealing and superior resistance to water, including splashes from any angle.

It is the ideal lighting solution for high-humidity indoor areas or locations where contact with water is likely, ensuring consistent performance and reliable operation even in challenging environmental conditions.

Vela come in several series, with various add-on and controls:

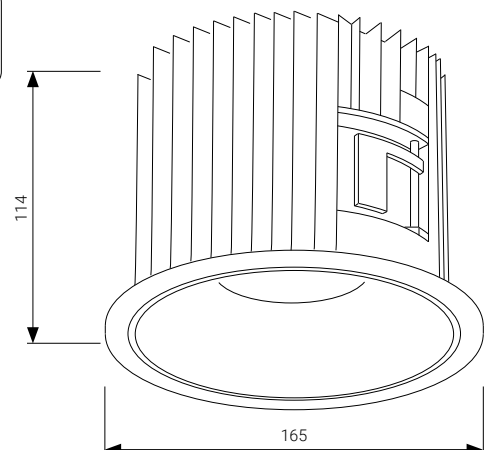
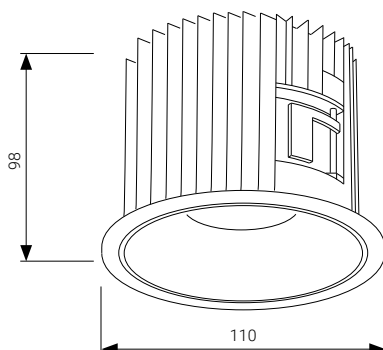
- Vela Non-DALI – the standard for any project
- Vela DALI – with DALI controls for illumination

APPLICATION

Supermarket | Fashion | Retail | Hospitality | Exhibition | Architectural

FEATURES & BENEFITS

- CRI 90
- Great variety of optics: 15°, 24°, 38°
- Luminaire efficiency: 88 lm/W @4000K
- 5 years warranty



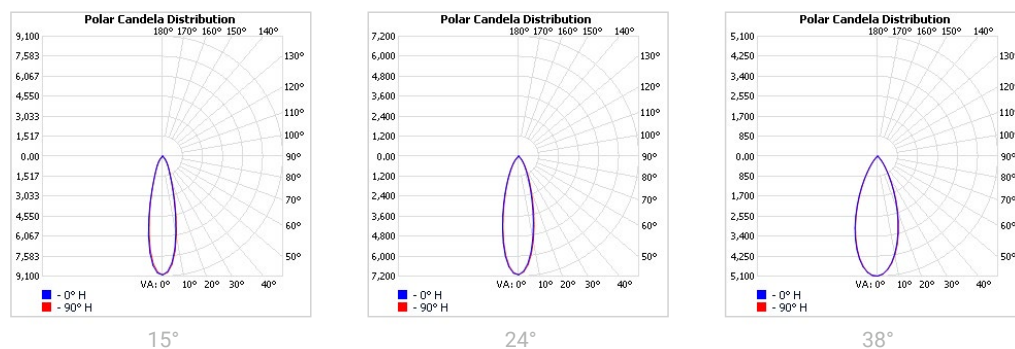
SPECIFICATIONS

Dimensions	D110xH98mmxØ100mm±1mm	D165xH114mmxØ155mm±1mm
Power consumption	14W, 20W, 27W	14W, 20W, 27W, 35W, 42W
Housing materials	Aluminium, Glass	
IK code	IK08	
THD (at 230V, 50Hz, Full load)	≤ 15%	
Protection class	Safety class 1	
Operating temperature [°C]	-20C...+50C/-4F...+122F	
Operating humidity [%]	10 ÷ 85	
Power factor	≥0.95	
AC Input [Vac]	220-240 VAC	
Lens angle [°]	15°, 24°, 38°	
Lifespan [h]	50000	
Housing color	○ RAL 9003 - signal white ● RAL 9005 - jet black ● RAL 9006 - white aluminium	
Lumen maintenance	L90/B10@50.000h at 25°C	
IP factor (general)	IP65 CASE	
Control option	DALI	
Warranty [years]	5 years	
Storage temperature range [°C]	-20C...+50C/-4F...+122F	
Emergency option	-	
Efficiency@4000K	88 lm/watt	

Light application	Standard
CRI	CRI90
CCT [K]	2700 / 3000 / 3500 / 4000
MacAdam	3

CRI - Color rendering, CCT - Color temperature, MacAdam - Color consistency

LIGHT DISTRIBUTION



TOLERANCES

Luminous flux tolerances: -/+ 5%

Consumption tolerance: -/+ 5% for Non-DALI | -/+ 10% for Non-DALI & KIT EM | -/+ 10% for DALI | -/+ 15% for DALI & KIT EM

BATTERY WARRANTY

Non-DALI EM & DALI EM: 12 months warranty

Non-DALI & DALI: -

MAXIMUM NO. OF LUMINAIRES ON A CIRCUIT

Luminaire Power(W)	Control type	Circuit Breaker Type							
		B				C			
		20	16	13	10	20	16	13	10
14W, 20W	Non-DALI	N/A	50	N/A	N/A	N/A	N/A	N/A	N/A
27W, 35W, 42W	Non-DALI	N/A	50	N/A	N/A	N/A	N/A	N/A	N/A
24W, 20W, 27W	DALI	47	37	29	22	78	62	48	37
35W-42W	DALI	32	25	21	16	53	42	35	27

RISK GROUP

Standard (CRI80) RG1

CRI90 RG1

RG1

The evaluation of photobiological safety is carried out according to the standard IEC 62471:2008 ("Photobiological safety of lamps and lamp systems"). Following the definition of the risk grouping system of the mentioned IEC standard, the LEDs mounted on this family fall into the class "Low Risk (RG1 – No photobiological hazard under normal behavioral limitations)". Under real circumstances (regarding exposure time, pupils, observation distance), it is assumed that there is no endangerment to the eye from these devices. As a matter of principle, however, it should be mentioned that intense light sources have a high secondary exposure potential due to their blinding effect.

SKU SPECIFICATIONS

Product Code	Dimensions (mm)	CCT (K)	Lumens (lm)	Power (W)	Eff. (lm/watt)	Lens Angle (°)	Weight (kg)
CRI 90							
6H0000 Vela D33024/2700/14W/90/A15	D110xH98mmxØ100mm±1mm	2700	1080	14W	78	A15	0.85 Kg
6H0001 Vela D33024/3000/14W/90/A15	D110xH98mmxØ100mm±1mm	3000	1120	14W	80	A15	0.85 Kg
6H0002 Vela D33024/3500/14W/90/A15	D110xH98mmxØ100mm±1mm	3500	1170	14W	84	A15	0.85 Kg
6H0003 Vela D33024/4000/14W/90/A15	D110xH98mmxØ100mm±1mm	4000	1225	14W	88	A15	0.85 Kg
6H0004 Vela D33024/2700/14W/90/A24	D110xH98mmxØ100mm±1mm	2700	1080	14W	78	A24	0.85 Kg
6H0005 Vela D33024/3000/14W/90/A24	D110xH98mmxØ100mm±1mm	3000	1120	14W	80	A24	0.85 Kg
6H0006 Vela D33024/3500/14W/90/A24	D110xH98mmxØ100mm±1mm	3500	1170	14W	84	A24	0.85 Kg
6H0007 Vela D33024/4000/14W/90/A24	D110xH98mmxØ100mm±1mm	4000	1225	14W	88	A24	0.85 Kg
6H0008 Vela D33024/2700/14W/90/A38	D110xH98mmxØ100mm±1mm	2700	1080	14W	78	A38	0.85 Kg
6H0009 Vela D33024/3000/14W/90/A38	D110xH98mmxØ100mm±1mm	3000	1120	14W	80	A38	0.85 Kg
6H0010 Vela D33024/3500/14W/90/A38	D110xH98mmxØ100mm±1mm	3500	1170	14W	84	A38	0.85 Kg
6H0011 Vela D33024/4000/14W/90/A38	D110xH98mmxØ100mm±1mm	4000	1225	14W	88	A38	0.85 Kg
6H0012 Vela D33024/2700/20W/90/A15	D110xH98mmxØ100mm±1mm	2700	1505	20W	76	A15	0.85 Kg
6H0013 Vela D33024/3000/20W/90/A15	D110xH98mmxØ100mm±1mm	3000	1565	20W	79	A15	0.85 Kg
6H0014 Vela D33024/3500/20W/90/A15	D110xH98mmxØ100mm±1mm	3500	1635	20W	82	A15	0.85 Kg
6H0015 Vela D33024/4000/20W/90/A15	D110xH98mmxØ100mm±1mm	4000	1710	20W	86	A15	0.85 Kg
6H0016 Vela D33024/2700/20W/90/A24	D110xH98mmxØ100mm±1mm	2700	1505	20W	76	A24	0.85 Kg
6H0017 Vela D33024/3000/20W/90/A24	D110xH98mmxØ100mm±1mm	3000	1565	20W	79	A24	0.85 Kg
6H0018 Vela D33024/3500/20W/90/A24	D110xH98mmxØ100mm±1mm	3500	1635	20W	82	A24	0.85 Kg
6H0019 Vela D33024/4000/20W/90/A24	D110xH98mmxØ100mm±1mm	4000	1710	20W	86	A24	0.85 Kg
6H0020 Vela D33024/2700/20W/90/A38	D110xH98mmxØ100mm±1mm	2700	1505	20W	76	A38	0.85 Kg
6H0021 Vela D33024/3000/20W/90/A38	D110xH98mmxØ100mm±1mm	3000	1565	20W	79	A38	0.85 Kg
6H0022 Vela D33024/3500/20W/90/A38	D110xH98mmxØ100mm±1mm	3500	1635	20W	82	A38	0.85 Kg
6H0023 Vela D33024/4000/20W/90/A38	D110xH98mmxØ100mm±1mm	4000	1710	20W	86	A38	0.85 Kg
6H0024 Vela D33024/2700/27W/90/A15	D110xH98mmxØ100mm±1mm	2700	2015	27W	75	A15	0.85 Kg
6H0025 Vela D33024/3000/27W/90/A15	D110xH98mmxØ100mm±1mm	3000	2095	27W	78	A15	0.85 Kg
6H0026 Vela D33024/3500/27W/90/A15	D110xH98mmxØ100mm±1mm	3500	2185	27W	81	A15	0.85 Kg
6H0027 Vela D33024/4000/27W/90/A15	D110xH98mmxØ100mm±1mm	4000	2285	27W	85	A15	0.85 Kg
6H0028 Vela D33024/2700/27W/90/A24	D110xH98mmxØ100mm±1mm	2700	2015	27W	75	A24	0.85 Kg
6H0029 Vela D33024/3000/27W/90/A24	D110xH98mmxØ100mm±1mm	3000	2095	27W	78	A24	0.85 Kg
6H0030 Vela D33024/3500/27W/90/A24	D110xH98mmxØ100mm±1mm	3500	2185	27W	81	A24	0.85 Kg
6H0031 Vela D33024/4000/27W/90/A24	D110xH98mmxØ100mm±1mm	4000	2285	27W	85	A24	0.85 Kg
6H0032 Vela D33024/2700/27W/90/A38	D110xH98mmxØ100mm±1mm	2700	2015	27W	75	A38	0.85 Kg
6H0033 Vela D33024/3000/27W/90/A38	D110xH98mmxØ100mm±1mm	3000	2095	27W	78	A38	0.85 Kg
6H0034 Vela D33024/3500/27W/90/A38	D110xH98mmxØ100mm±1mm	3500	2185	27W	81	A38	0.85 Kg
6H0035 Vela D33024/4000/27W/90/A38	D110xH98mmxØ100mm±1mm	4000	2285	27W	85	A38	0.85 Kg
6H0036 Vela D33026/2700/14W/90/A15	D165xH114mmxØ155mm±1mm	2700	1060	14W	76	A15	1.5 Kg
6H0037 Vela D33026/3000/14W/90/A15	D165xH114mmxØ155mm±1mm	3000	1085	14W	78	A15	1.5 Kg
6H0038 Vela D33026/3500/14W/90/A15	D165xH114mmxØ155mm±1mm	3500	1135	14W	82	A15	1.5 Kg
6H0039 Vela D33026/4000/14W/90/A15	D165xH114mmxØ155mm±1mm	4000	1170	14W	84	A15	1.5 Kg
6H0040 Vela D33026/2700/14W/90/A24	D165xH114mmxØ155mm±1mm	2700	1060	14W	76	A24	1.5 Kg
6H0041 Vela D33026/3000/14W/90/A24	D165xH114mmxØ155mm±1mm	3000	1085	14W	78	A24	1.5 Kg
6H0042 Vela D33026/3500/14W/90/A24	D165xH114mmxØ155mm±1mm	3500	1135	14W	82	A24	1.5 Kg
6H0043 Vela D33026/4000/14W/90/A24	D165xH114mmxØ155mm±1mm	4000	1170	14W	84	A24	1.5 Kg
6H0044 Vela D33026/2700/14W/90/A38	D165xH114mmxØ155mm±1mm	2700	1060	14W	76	A38	1.5 Kg
6H0045 Vela D33026/3000/14W/90/A38	D165xH114mmxØ155mm±1mm	3000	1085	14W	78	A38	1.5 Kg
6H0046 Vela D33026/3500/14W/90/A38	D165xH114mmxØ155mm±1mm	3500	1135	14W	82	A38	1.5 Kg
6H0047 Vela D33026/4000/14W/90/A38	D165xH114mmxØ155mm±1mm	4000	1170	14W	84	A38	1.5 Kg
6H0048 Vela D33026/2700/20W/90/A15	D165xH114mmxØ155mm±1mm	2700	1485	20W	75	A15	1.5 Kg
6H0049 Vela D33026/3000/20W/90/A15	D165xH114mmxØ155mm±1mm	3000	1525	20W	77	A15	1.5 Kg

SKU SPECIFICATIONS

Product Code	Dimensions (mm)	CCT (K)	Lumens (lm)	Power (W)	Eff. (lm/watt)	Lens Angle (°)	Weight (kg)
CRI 90							
6H0050 Vela D33026/3500/20W/90/A15	D165xH114mmxØ155mm±1mm	3500	1595	20W	80	A15	1.5 Kg
6H0051 Vela D33026/4000/20W/90/A15	D165xH114mmxØ155mm±1mm	4000	1640	20W	82	A15	1.5 Kg
6H0052 Vela D33026/2700/20W/90/A24	D165xH114mmxØ155mm±1mm	2700	1485	20W	75	A24	1.5 Kg
6H0053 Vela D33026/3000/20W/90/A24	D165xH114mmxØ155mm±1mm	3000	1525	20W	77	A24	1.5 Kg
6H0054 Vela D33026/3500/20W/90/A24	D165xH114mmxØ155mm±1mm	3500	1595	20W	80	A24	1.5 Kg
6H0055 Vela D33026/4000/20W/90/A24	D165xH114mmxØ155mm±1mm	4000	1640	20W	82	A24	1.5 Kg
6H0056 Vela D33026/2700/20W/90/A38	D165xH114mmxØ155mm±1mm	2700	1485	20W	75	A38	1.5 Kg
6H0057 Vela D33026/3000/20W/90/A38	D165xH114mmxØ155mm±1mm	3000	1525	20W	77	A38	1.5 Kg
6H0058 Vela D33026/3500/20W/90/A38	D165xH114mmxØ155mm±1mm	3500	1595	20W	80	A38	1.5 Kg
6H0059 Vela D33026/4000/20W/90/A38	D165xH114mmxØ155mm±1mm	4000	1640	20W	82	A38	1.5 Kg
6H0060 Vela D33026/2700/27W/90/A15	D165xH114mmxØ155mm±1mm	2700	1900	27W	71	A15	1.5 Kg
6H0061 Vela D33026/3000/27W/90/A15	D165xH114mmxØ155mm±1mm	3000	1970	27W	73	A15	1.5 Kg
6H0062 Vela D33026/3500/27W/90/A15	D165xH114mmxØ155mm±1mm	3500	2050	27W	76	A15	1.5 Kg
6H0063 Vela D33026/4000/27W/90/A15	D165xH114mmxØ155mm±1mm	4000	2160	27W	80	A15	1.5 Kg
6H0064 Vela D33026/2700/27W/90/A24	D165xH114mmxØ155mm±1mm	2700	1900	27W	71	A24	1.5 Kg
6H0065 Vela D33026/3000/27W/90/A24	D165xH114mmxØ155mm±1mm	3000	1970	27W	73	A24	1.5 Kg
6H0066 Vela D33026/3500/27W/90/A24	D165xH114mmxØ155mm±1mm	3500	2050	27W	76	A24	1.5 Kg
6H0067 Vela D33026/4000/27W/90/A24	D165xH114mmxØ155mm±1mm	4000	2160	27W	80	A24	1.5 Kg
6H0068 Vela D33026/2700/27W/90/A38	D165xH114mmxØ155mm±1mm	2700	1900	27W	71	A38	1.5 Kg
6H0069 Vela D33026/3000/27W/90/A38	D165xH114mmxØ155mm±1mm	3000	1970	27W	73	A38	1.5 Kg
6H0070 Vela D33026/3500/27W/90/A38	D165xH114mmxØ155mm±1mm	3500	2050	27W	76	A38	1.5 Kg
6H0071 Vela D33026/4000/27W/90/A38	D165xH114mmxØ155mm±1mm	4000	2160	27W	80	A38	1.5 Kg
6H0072 Vela D33026/2700/35W/90/A15	D165xH114mmxØ155mm±1mm	2700	2390	35W	69	A15	1.5 Kg
6H0073 Vela D33026/3000/35W/90/A15	D165xH114mmxØ155mm±1mm	3000	2475	35W	71	A15	1.5 Kg
6H0074 Vela D33026/3500/35W/90/A15	D165xH114mmxØ155mm±1mm	3500	2580	35W	74	A15	1.5 Kg
6H0075 Vela D33026/4000/35W/90/A15	D165xH114mmxØ155mm±1mm	4000	2715	35W	78	A15	1.5 Kg
6H0076 Vela D33026/2700/35W/90/A24	D165xH114mmxØ155mm±1mm	2700	2390	35W	69	A24	1.5 Kg
6H0077 Vela D33026/3000/35W/90/A24	D165xH114mmxØ155mm±1mm	3000	2475	35W	71	A24	1.5 Kg
6H0078 Vela D33026/3500/35W/90/A24	D165xH114mmxØ155mm±1mm	3500	2580	35W	74	A24	1.5 Kg
6H0079 Vela D33026/4000/35W/90/A24	D165xH114mmxØ155mm±1mm	4000	2715	35W	78	A24	1.5 Kg
6H0080 Vela D33026/2700/35W/90/A38	D165xH114mmxØ155mm±1mm	2700	2390	35W	69	A38	1.5 Kg
6H0081 Vela D33026/3000/35W/90/A38	D165xH114mmxØ155mm±1mm	3000	2475	35W	71	A38	1.5 Kg
6H0082 Vela D33026/3500/35W/90/A38	D165xH114mmxØ155mm±1mm	3500	2580	35W	74	A38	1.5 Kg
6H0083 Vela D33026/4000/35W/90/A38	D165xH114mmxØ155mm±1mm	4000	2715	35W	78	A38	1.5 Kg
6H0084 Vela D33026/2700/42W/90/A15	D165xH114mmxØ155mm±1mm	2700	2870	42W	69	A15	1.5 Kg
6H0085 Vela D33026/3000/42W/90/A15	D165xH114mmxØ155mm±1mm	3000	2950	42W	71	A15	1.5 Kg
6H0086 Vela D33026/3500/42W/90/A15	D165xH114mmxØ155mm±1mm	3500	3090	42W	74	A15	1.5 Kg
6H0087 Vela D33026/4000/42W/90/A15	D165xH114mmxØ155mm±1mm	4000	3180	42W	76	A15	1.5 Kg
6H0088 Vela D33026/2700/42W/90/A24	D165xH114mmxØ155mm±1mm	2700	2870	42W	69	A24	1.5 Kg
6H0089 Vela D33026/3000/42W/90/A24	D165xH114mmxØ155mm±1mm	3000	2950	42W	71	A24	1.5 Kg
6H0090 Vela D33026/3500/42W/90/A24	D165xH114mmxØ155mm±1mm	3500	3090	42W	74	A24	1.5 Kg
6H0091 Vela D33026/4000/42W/90/A24	D165xH114mmxØ155mm±1mm	4000	3180	42W	76	A24	1.5 Kg
6H0092 Vela D33026/2700/42W/90/A38	D165xH114mmxØ155mm±1mm	2700	2870	42W	69	A38	1.5 Kg
6H0093 Vela D33026/3000/42W/90/A38	D165xH114mmxØ155mm±1mm	3000	2950	42W	71	A38	1.5 Kg
6H0094 Vela D33026/3500/42W/90/A38	D165xH114mmxØ155mm±1mm	3500	3090	42W	74	A38	1.5 Kg
6H0095 Vela D33026/4000/42W/90/A38	D165xH114mmxØ155mm±1mm	4000	3180	42W	76	A38	1.5 Kg

Technical specifications can be modified without prior notice. All information is property of Greentek Lighting.
 The presentation picture is for information purposes only. Latest document update: June 25, 2025 2:00 PM. www.greentek.eu