



Vela

RECESSED DOWNLIGHTS | NON - DALI SERIES

Waterproof Downlight with IP65 Protection & Premium Extruded Aluminum Construction
 The IP65 protection rating provides full dust-tight sealing and superior resistance to water, including splashes from any angle.

It is the ideal lighting solution for high-humidity indoor areas or locations where contact with water is likely, ensuring consistent performance and reliable operation even in challenging environmental conditions.

Vela come in several series, with various add-on and controls:

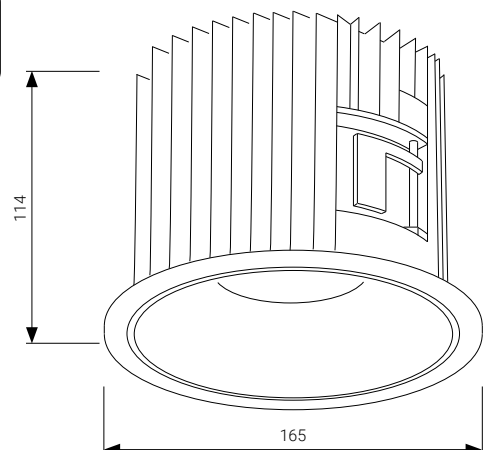
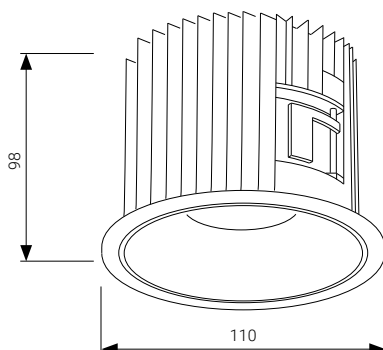
- Vela Non-DALI – the standard for any project
- Vela DALI – with DALI controls for illumination

FEATURES & BENEFITS

- CRI 80 as standard
- Great variety of optics: 15°, 24°, 38°
- Luminaire efficiency: 102 lm/W @4000K
- 5 years warranty

APPLICATION

Supermarket | Fashion | Retail | Hospitality | Exhibition | Architectural



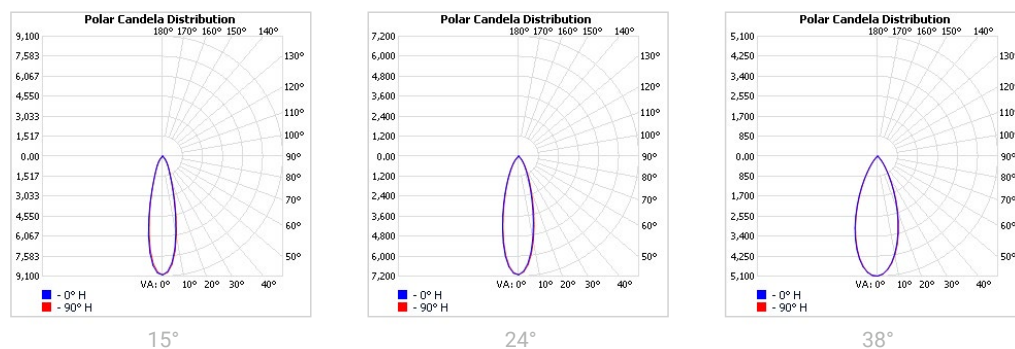
SPECIFICATIONS

Dimensions	D110xH98mmxØ100mm±1mm	D165xH114mmxØ155mm±1mm
Power consumption	14W, 20W, 27W	14W, 20W, 27W, 35W, 42W
Housing materials	Aluminium, glass	
IK code	IK08	
THD (at 230V, 50Hz, Full load)	<15%	
Protection class	Safety class 1	
Operating temperature [°C]	-25C...+40C/-13F...+104F	
Operating humidity [%]	10 ÷ 85	
Power factor	≥0.95	
AC Input [Vac]	220 - 240 VAC	
Lens angle [°]	15°, 24°, 38°	
Lifespan [h]	50.000	
Housing color	○ RAL 9003 - signal white ● RAL 9005 - jet black ● RAL 9006 - white aluminium	
Lumen maintenance	L90/B10@50.000h at 25°C	
IP factor (general)	IP65 CASE	
Control option	-	
Warranty [years]	5	
Storage temperature range [°C]	-25C...+40C/-13F...+104F	
Emergency option	-	
Efficiency@4000K	102 lm/watt	

Light application	Standard
CRI	CRI80
CCT [K]	2700 / 3000 / 3500 / 4000
MacAdam	3

CRI - Color rendering, CCT - Color temperature, MacAdam - Color consistency

LIGHT DISTRIBUTION



TOLERANCES

Luminous flux tolerances: -/+ 5%

Consumption tolerance: -/+ 5% for Non-DALI | -/+ 10% for Non-DALI & KIT EM | -/+ 10% for DALI | -/+ 15% for DALI & KIT EM

BATTERY WARRANTY

Non-DALI EM & DALI EM: 12 months warranty

Non-DALI & DALI: -

MAXIMUM NO. OF LUMINAIRES ON A CIRCUIT

Luminaire Power(W)	Control type	Circuit Breaker Type							
		B				C			
		20	16	13	10	20	16	13	10
14W, 20W	Non-DALI	N/A	50	N/A	N/A	N/A	N/A	N/A	N/A
27W, 35W, 42W	Non-DALI	N/A	50	N/A	N/A	N/A	N/A	N/A	N/A
24W, 20W, 27W	DALI	47	37	29	22	78	62	48	37
35W-42W	DALI	32	25	21	16	53	42	35	27

RISK GROUP

Standard (CRI80) RG1

CRI90 RG1

RG1

The evaluation of photobiological safety is carried out according to the standard IEC 62471:2008 ("Photobiological safety of lamps and lamp systems"). Following the definition of the risk grouping system of the mentioned IEC standard, the LEDs mounted on this family fall into the class "Low Risk (RG1 – No photobiological hazard under normal behavioral limitations)". Under real circumstances (regarding exposure time, pupils, observation distance), it is assumed that there is no endangerment to the eye from these devices. As a matter of principle, however, it should be mentioned that intense light sources have a high secondary exposure potential due to their blinding effect.

SKU SPECIFICATIONS

Product Code	Dimensions (mm)	CCT (K)	Lumens (lm)	Power (W)	Eff. (lm/watt)	Lens Angle (°)	Weight (kg)
CRI 80							
1H0000 Vela D33024/2700/14W/80/A15	D110xH98mmxØ100mm±1mm	2700	1325	14W	95	A15	0.8 Kg
1H0001 Vela D33024/3000/14W/80/A15	D110xH98mmxØ100mm±1mm	2700	1375	14W	99	A15	0.8 Kg
1H0002 Vela D33024/3500/14W/80/A15	D110xH98mmxØ100mm±1mm	2700	1395	14W	100	A15	0.8 Kg
1H0003 Vela D33024/4000/14W/80/A15	D110xH98mmxØ100mm±1mm	2700	1425	14W	102	A15	0.8 Kg
1H0004 Vela D33024/2700/14W/80/A24	D110xH98mmxØ100mm±1mm	2700	1325	14W	95	A24	0.8 Kg
1H0005 Vela D33024/3000/14W/80/A24	D110xH98mmxØ100mm±1mm	2700	1375	14W	99	A24	0.8 Kg
1H0006 Vela D33024/3500/14W/80/A24	D110xH98mmxØ100mm±1mm	2700	1395	14W	100	A24	0.8 Kg
1H0007 Vela D33024/4000/14W/80/A24	D110xH98mmxØ100mm±1mm	4000	1425	14W	102	A24	0.8 Kg
1H0008 Vela D33024/2700/14W/80/A38	D110xH98mmxØ100mm±1mm	2700	1325	14W	95	A38	0.8 Kg
1H0009 Vela D33024/3000/14W/80/A38	D110xH98mmxØ100mm±1mm	3000	1375	14W	99	A38	0.8 Kg
1H0010 Vela D33024/3500/14W/80/A38	D110xH98mmxØ100mm±1mm	3500	1395	14W	100	A38	0.8 Kg
1H0011 Vela D33024/4000/14W/80/A38	D110xH98mmxØ100mm±1mm	4000	1425	14W	102	A38	0.8 Kg
1H0012 Vela D33024/2700/20W/80/A15	D110xH98mmxØ100mm±1mm	2700	1850	20W	93	A15	0.8 Kg
1H0013 Vela D33024/3000/20W/80/A15	D110xH98mmxØ100mm±1mm	3000	1920	20W	96	A15	0.8 Kg
1H0014 Vela D33024/3500/20W/80/A15	D110xH98mmxØ100mm±1mm	3500	1945	20W	98	A15	0.8 Kg
1H0015 Vela D33024/4000/20W/80/A15	D110xH98mmxØ100mm±1mm	4000	1985	20W	100	A15	0.8 Kg
1H0016 Vela D33024/2700/20W/80/A24	D110xH98mmxØ100mm±1mm	2700	1850	20W	93	A24	0.8 Kg
1H0017 Vela D33024/3000/20W/80/A24	D110xH98mmxØ100mm±1mm	3000	1920	20W	96	A24	0.8 Kg
1H0018 Vela D33024/3500/20W/80/A24	D110xH98mmxØ100mm±1mm	3500	1945	20W	98	A24	0.8 Kg
1H0019 Vela D33024/4000/20W/80/A24	D110xH98mmxØ100mm±1mm	4000	1985	20W	100	A24	0.8 Kg
1H0020 Vela D33024/2700/20W/80/A38	D110xH98mmxØ100mm±1mm	2700	1850	20W	93	A38	0.8 Kg
1H0021 Vela D33024/3000/20W/80/A38	D110xH98mmxØ100mm±1mm	3000	1920	20W	96	A38	0.8 Kg
1H0022 Vela D33024/3500/20W/80/A38	D110xH98mmxØ100mm±1mm	3500	1945	20W	98	A38	0.8 Kg
1H0023 Vela D33024/4000/20W/80/A38	D110xH98mmxØ100mm±1mm	4000	1985	20W	100	A38	0.8 Kg
1H0024 Vela D33024/2700/27W/80/A15	D110xH98mmxØ100mm±1mm	2700	2475	27W	92	A15	0.8 Kg
1H0025 Vela D33024/3000/27W/80/A15	D110xH98mmxØ100mm±1mm	3000	2570	27W	96	A15	0.8 Kg
1H0026 Vela D33024/3500/27W/80/A15	D110xH98mmxØ100mm±1mm	3500	2600	27W	97	A15	0.8 Kg
1H0027 Vela D33024/4000/27W/80/A15	D110xH98mmxØ100mm±1mm	4000	2655	27W	99	A15	0.8 Kg
1H0028 Vela D33024/2700/27W/80/A24	D110xH98mmxØ100mm±1mm	2700	2475	27W	92	A24	0.8 Kg
1H0029 Vela D33024/3000/27W/80/A24	D110xH98mmxØ100mm±1mm	3000	2570	27W	96	A24	0.8 Kg
1H0030 Vela D33024/3500/27W/80/A24	D110xH98mmxØ100mm±1mm	3500	2600	27W	97	A24	0.8 Kg
1H0031 Vela D33024/4000/27W/80/A24	D110xH98mmxØ100mm±1mm	4000	2655	27W	99	A24	0.8 Kg
1H0032 Vela D33024/2700/27W/80/A38	D110xH98mmxØ100mm±1mm	2700	2475	27W	92	A38	0.8 Kg
1H0033 Vela D33024/3000/27W/80/A38	D110xH98mmxØ100mm±1mm	3000	2570	27W	96	A38	0.8 Kg
1H0034 Vela D33024/3500/27W/80/A38	D110xH98mmxØ100mm±1mm	3500	2600	27W	97	A38	0.8 Kg
1H0035 Vela D33024/4000/27W/80/A38	D110xH98mmxØ100mm±1mm	4000	2655	27W	99	A38	0.8 Kg
1H0036 Vela D33026/2700/14W/80/A15	D165xH114mmxØ155mm±1mm	2700	1255	14W	90	A15	1.45 Kg
1H0037 Vela D33026/3000/14W/80/A15	D165xH114mmxØ155mm±1mm	3000	1300	14W	93	A15	1.45 Kg
1H0038 Vela D33026/3500/14W/80/A15	D165xH114mmxØ155mm±1mm	3500	1345	14W	97	A15	1.45 Kg
1H0039 Vela D33026/4000/14W/80/A15	D165xH114mmxØ155mm±1mm	4000	1370	14W	98	A15	1.45 Kg
1H0040 Vela D33026/2700/14W/80/A24	D165xH114mmxØ155mm±1mm	2700	1255	14W	90	A24	1.45 Kg
1H0041 Vela D33026/3000/14W/80/A24	D165xH114mmxØ155mm±1mm	3000	1300	14W	93	A24	1.45 Kg
1H0042 Vela D33026/3500/14W/80/A24	D165xH114mmxØ155mm±1mm	3500	1345	14W	97	A24	1.45 Kg
1H0043 Vela D33026/4000/14W/80/A24	D165xH114mmxØ155mm±1mm	4000	1370	14W	98	A24	1.45 Kg
1H0044 Vela D33026/2700/14W/80/A38	D165xH114mmxØ155mm±1mm	2700	1255	14W	90	A38	1.45 Kg
1H0045 Vela D33026/3000/14W/80/A38	D165xH114mmxØ155mm±1mm	3000	1300	14W	93	A38	1.45 Kg
1H0046 Vela D33026/3500/14W/80/A38	D165xH114mmxØ155mm±1mm	3500	1345	14W	97	A38	1.45 Kg
1H0047 Vela D33026/4000/14W/80/A38	D165xH114mmxØ155mm±1mm	4000	1370	14W	98	A38	1.45 Kg
1H0048 Vela D33026/2700/20W/80/A15	D165xH114mmxØ155mm±1mm	2700	1755	20W	88	A15	1.45 Kg
1H0049 Vela D33026/3000/20W/80/A15	D165xH114mmxØ155mm±1mm	3000	1820	20W	91	A15	1.45 Kg

SKU SPECIFICATIONS

Product Code	Dimensions (mm)	CCT (K)	Lumens (lm)	Power (W)	Eff. (lm/watt)	Lens Angle (°)	Weight (kg)
CRI 80							
1H0050 Vela D33026/3500/20W/80/A15	D165xH114mmxØ155mm±1mm	3500	1885	20W	95	A15	1.45 Kg
1H0051 Vela D33026/4000/20W/80/A15	D165xH114mmxØ155mm±1mm	4000	1920	20W	96	A15	1.45 Kg
1H0052 Vela D33026/2700/20W/80/A24	D165xH114mmxØ155mm±1mm	2700	1755	20W	88	A24	1.45 Kg
1H0053 Vela D33026/3000/20W/80/A24	D165xH114mmxØ155mm±1mm	3000	1820	20W	91	A24	1.45 Kg
1H0054 Vela D33026/3500/20W/80/A24	D165xH114mmxØ155mm±1mm	3500	1885	20W	95	A24	1.45 Kg
1H0055 Vela D33026/4000/20W/80/A24	D165xH114mmxØ155mm±1mm	4000	1920	20W	96	A24	1.45 Kg
1H0056 Vela D33026/2700/20W/80/A38	D165xH114mmxØ155mm±1mm	2700	1755	20W	88	A38	1.45 Kg
1H0057 Vela D33026/3000/20W/80/A38	D165xH114mmxØ155mm±1mm	3000	1820	20W	91	A38	1.45 Kg
1H0058 Vela D33026/3500/20W/80/A38	D165xH114mmxØ155mm±1mm	3500	1885	20W	95	A38	1.45 Kg
1H0059 Vela D33026/4000/20W/80/A38	D165xH114mmxØ155mm±1mm	4000	1920	20W	96	A38	1.45 Kg
1H0060 Vela D33026/2700/27W/80/A15	D165xH114mmxØ155mm±1mm	2700	2340	27W	87	A15	1.45 Kg
1H0061 Vela D33026/3000/27W/80/A15	D165xH114mmxØ155mm±1mm	3000	2440	27W	91	A15	1.45 Kg
1H0062 Vela D33026/3500/27W/80/A15	D165xH114mmxØ155mm±1mm	3500	2460	27W	92	A15	1.45 Kg
1H0063 Vela D33026/4000/27W/80/A15	D165xH114mmxØ155mm±1mm	4000	2510	27W	93	A15	1.45 Kg
1H0064 Vela D33026/2700/27W/80/A24	D165xH114mmxØ155mm±1mm	2700	2340	27W	87	A24	1.45 Kg
1H0065 Vela D33026/3000/27W/80/A24	D165xH114mmxØ155mm±1mm	3000	2440	27W	91	A24	1.45 Kg
1H0066 Vela D33026/3500/27W/80/A24	D165xH114mmxØ155mm±1mm	3500	2460	27W	92	A24	1.45 Kg
1H0067 Vela D33026/4000/27W/80/A24	D165xH114mmxØ155mm±1mm	4000	2510	27W	93	A24	1.45 Kg
1H0068 Vela D33026/2700/27W/80/A38	D165xH114mmxØ155mm±1mm	2700	2340	27W	87	A38	1.45 Kg
1H0069 Vela D33026/3000/27W/80/A38	D165xH114mmxØ155mm±1mm	3000	2440	27W	91	A38	1.45 Kg
1H0070 Vela D33026/3500/27W/80/A38	D165xH114mmxØ155mm±1mm	3500	2460	27W	92	A38	1.45 Kg
1H0071 Vela D33026/4000/27W/80/A38	D165xH114mmxØ155mm±1mm	4000	2510	27W	93	A38	1.45 Kg
1H0072 Vela D33026/2700/35W/80/A15	D165xH114mmxØ155mm±1mm	2700	2945	35W	85	A15	1.45 Kg
1H0073 Vela D33026/3000/35W/80/A15	D165xH114mmxØ155mm±1mm	3000	3065	35W	88	A15	1.45 Kg
1H0074 Vela D33026/3500/35W/80/A15	D165xH114mmxØ155mm±1mm	3500	3095	35W	89	A15	1.45 Kg
1H0075 Vela D33026/4000/35W/80/A15	D165xH114mmxØ155mm±1mm	4000	3155	35W	91	A15	1.45 Kg
1H0076 Vela D33026/2700/35W/80/A24	D165xH114mmxØ155mm±1mm	2700	2945	35W	85	A24	1.45 Kg
1H0077 Vela D33026/3000/35W/80/A24	D165xH114mmxØ155mm±1mm	3000	3065	35W	88	A24	1.45 Kg
1H0078 Vela D33026/3500/35W/80/A24	D165xH114mmxØ155mm±1mm	3500	3095	35W	89	A24	1.45 Kg
1H0079 Vela D33026/4000/35W/80/A24	D165xH114mmxØ155mm±1mm	4000	3155	35W	91	A24	1.45 Kg
1H0080 Vela D33026/2700/35W/80/A38	D165xH114mmxØ155mm±1mm	2700	2945	35W	85	A38	1.45 Kg
1H0081 Vela D33026/3000/35W/80/A38	D165xH114mmxØ155mm±1mm	3000	3065	35W	88	A38	1.45 Kg
1H0082 Vela D33026/3500/35W/80/A38	D165xH114mmxØ155mm±1mm	3500	3095	35W	89	A38	1.45 Kg
1H0083 Vela D33026/4000/35W/80/A38	D165xH114mmxØ155mm±1mm	4000	3155	35W	91	A38	1.45 Kg
1H0084 Vela D33026/2700/42W/80/A15	D165xH114mmxØ155mm±1mm	2700	3360	42W	80	A15	1.45 Kg
1H0085 Vela D33026/3000/42W/80/A15	D165xH114mmxØ155mm±1mm	3000	3510	42W	84	A15	1.45 Kg
1H0086 Vela D33026/3500/42W/80/A15	D165xH114mmxØ155mm±1mm	3500	3640	42W	87	A15	1.45 Kg
1H0087 Vela D33026/4000/42W/80/A15	D165xH114mmxØ155mm±1mm	4000	3685	42W	88	A15	1.45 Kg
1H0088 Vela D33026/2700/42W/80/A24	D165xH114mmxØ155mm±1mm	2700	3360	42W	80	A24	1.45 Kg
1H0089 Vela D33026/3000/42W/80/A24	D165xH114mmxØ155mm±1mm	3000	3510	42W	84	A24	1.45 Kg
1H0090 Vela D33026/3500/42W/80/A24	D165xH114mmxØ155mm±1mm	3500	3640	42W	87	A24	1.45 Kg
1H0091 Vela D33026/4000/42W/80/A24	D165xH114mmxØ155mm±1mm	4000	3685	42W	88	A24	1.45 Kg
1H0092 Vela D33026/2700/42W/80/A38	D165xH114mmxØ155mm±1mm	2700	3360	42W	80	A38	1.45 Kg
1H0093 Vela D33026/3000/42W/80/A38	D165xH114mmxØ155mm±1mm	3000	3510	42W	84	A38	1.45 Kg
1H0094 Vela D33026/3500/42W/80/A38	D165xH114mmxØ155mm±1mm	3500	3640	42W	87	A38	1.45 Kg
1H0095 Vela D33026/4000/42W/80/A38	D165xH114mmxØ155mm±1mm	4000	3685	42W	88	A38	1.45 Kg

Technical specifications can be modified without prior notice. All information is property of Greentek Lighting.
 The presentation picture is for information purposes only. Latest document update: June 25, 2025 1:57 PM. www.greentek.eu