

Galaxy Slim E TRK

Track Linear



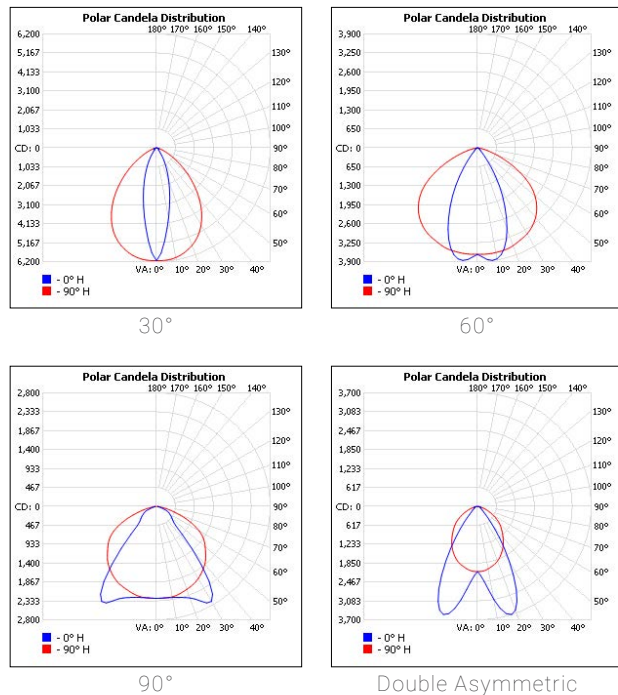
FEATURES & BENEFITS

- Form factors: 5R2, 5R3, 5R4, 5R5
- Three temperatures: 3000K, 4000K and 5000K
- Wide range of lens angle: 30°, 60°, 90° and Double Asymmetric
- Color rendering index: 80
- Efficiency @4000K: 135 lm/W

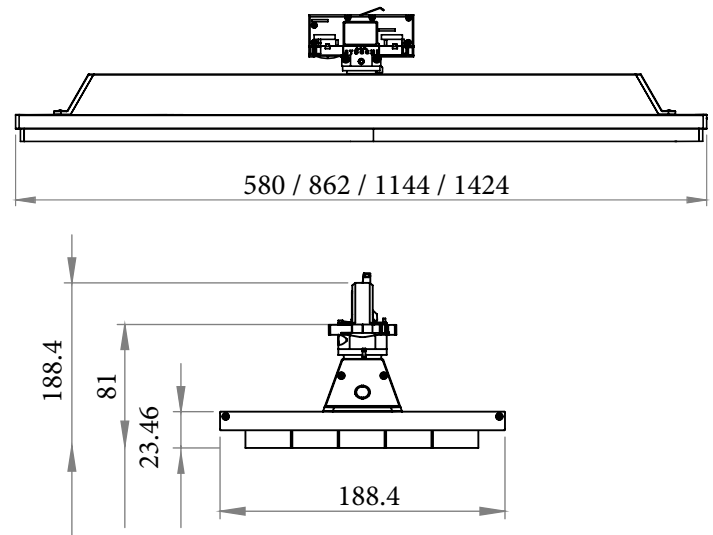
APPLICATIONS

Grocery & Supermarkets | Retail | Office | Healthcare | Industrial & Logistics | Hospitality | DIY

LIGHT DISTRIBUTION



TECHNICAL DRAW



SPECIFICATIONS

Power	66W, 83W, 99W	99W, 124W, 149W	131W, 165W, 197W	163W, 206W, 244W
Dimensions	580x81x188.4mm±1mm	862x81x188.4mm±1mm	1144x81x188.4mm±1mm	1424x81x188.4mm±1mm
Color Rendering	CRI80			
Housing materials	Aluminium, polycarbonate			
IK Code	IK04			
THD	<20%			
Protection Class	Safety class 1			
Operating temperature (°C)	-20°C...+55°C/-4F...+131F			
Operating humidity (%)	10 ÷ 85			
Power factor	≥0.9 (at 230 V / 50 Hz / driver full load)			
AC Input	220-240 Vac			
Color temperature	3000K, 4000K, 5000K			
Lens angle (°)	30°, 60°, 90°, DA			
Lifespan (h)	50000			
Housing color	Anodised grey, Anodised black			
Color consistency	MacAdam 4			
Lumen maintenance	L80/B20@50.000h at 25°C			
IP Rating	IP20			
Control option	-			
Warranty (years)	5 years			
Storage Temperature Range (°C)	-25°C...+55°C/-13F...+131F			
Efficiency @4000K	135 lm/W			
Luminous flux tolerance	+/- 5%			
Consumption tolerance	-/+ 5%			
Risk group	<p>RG0</p> <p>The evaluation of photobiological safety is carried out according to the standard IEC 62471:2008 ("Photobiological safety of lamps and lamp systems"). Following the definition of the risk grouping system of the mentioned IEC standard, the LEDs mounted on this family fall into the class "Exempt (RG0 – No photobiological hazard)". Under real circumstances (regarding exposure time, pupils, observation distance), it is assumed that there is no endangerment to the eye from these devices. As a matter of principle, however, it should be mentioned that intense light sources have a high secondary exposure potential due to their blinding effect.</p>			

MAXIMUM NO. OF LUMINAIRES ON A CIRCUIT

Luminaire Length	Control type	Circuit Breaker Type					
		B			C		
		20	16	10	20	16	10
5R2	Non-DALI	22	18	11	22	18	11
5R3	Non-DALI	15	12	7	15	12	7
5R4	Non-DALI	11	9	5	11	9	5
5R5	Non-DALI	9	7	4	9	7	4

SKU SPECIFICATIONS

Article Number	Dimensions (mm)	CCT (K)	Lumens (lm)	Power (W)	Efficiency (lm/watt)	Lens angle (degrees)	Weight (kg)
1E4000 Galaxy Slim E TRK SR 5R2 AL/3000/66W/80/TB	580 x 188.4 x 81 ± 1mm	3000	8275	66W	126	30	2.6 Kg
1E4001 Galaxy Slim E TRK SR 5R2 AL/4000/66W/80/TB	580 x 188.4 x 81 ± 1mm	4000	8725	66W	133	30	2.6 Kg
1E4002 Galaxy Slim E TRK SR 5R2 AL/5000/66W/80/TB	580 x 188.4 x 81 ± 1mm	5000	8855	66W	135	30	2.6 Kg
1E4003 Galaxy Slim E TRK SR 5R2 AL/3000/66W/80/NB	580 x 188.4 x 81 ± 1mm	3000	8370	66W	127	60	2.6 Kg
1E4004 Galaxy Slim E TRK SR 5R2 AL/4000/66W/80/NB	580 x 188.4 x 81 ± 1mm	4000	8825	66W	134	60	2.6 Kg
1E4005 Galaxy Slim E TRK SR 5R2 AL/5000/66W/80/NB	580 x 188.4 x 81 ± 1mm	5000	8955	66W	136	60	2.6 Kg
1E4006 Galaxy Slim E TRK SR 5R2 AL/3000/66W/80/WB	580 x 188.4 x 81 ± 1mm	3000	8370	66W	127	90	2.6 Kg
1E4007 Galaxy Slim E TRK SR 5R2 AL/4000/66W/80/WB	580 x 188.4 x 81 ± 1mm	4000	8825	66W	134	90	2.6 Kg
1E4008 Galaxy Slim E TRK SR 5R2 AL/5000/66W/80/WB	580 x 188.4 x 81 ± 1mm	5000	8955	66W	136	90	2.6 Kg
1E4009 Galaxy Slim E TRK SR 5R2 AL/3000/66W/80/DA	580 x 188.4 x 81 ± 1mm	3000	8260	66W	126	DA	2.6 Kg
1E4010 Galaxy Slim E TRK SR 5R2 AL/4000/66W/80/DA	580 x 188.4 x 81 ± 1mm	4000	8710	66W	132	DA	2.6 Kg
1E4011 Galaxy Slim E TRK SR 5R2 AL/5000/66W/80/DA	580 x 188.4 x 81 ± 1mm	5000	8835	66W	134	DA	2.6 Kg
1E4012 Galaxy Slim E TRK SR 5R2 AL/3000/83W/80/TB	580 x 188.4 x 81 ± 1mm	3000	9960	83W	120	30	2.6 Kg
1E4013 Galaxy Slim E TRK SR 5R2 AL/4000/83W/80/TB	580 x 188.4 x 81 ± 1mm	4000	10500	83W	127	30	2.6 Kg
1E4014 Galaxy Slim E TRK SR 5R2 AL/5000/83W/80/TB	580 x 188.4 x 81 ± 1mm	5000	10655	83W	129	30	2.6 Kg
1E4015 Galaxy Slim E TRK SR 5R2 AL/3000/83W/80/NB	580 x 188.4 x 81 ± 1mm	3000	10070	83W	122	60	2.6 Kg
1E4016 Galaxy Slim E TRK SR 5R2 AL/4000/83W/80/NB	580 x 188.4 x 81 ± 1mm	4000	10620	83W	128	60	2.6 Kg
1E4017 Galaxy Slim E TRK SR 5R2 AL/5000/83W/80/NB	580 x 188.4 x 81 ± 1mm	5000	10775	83W	130	60	2.6 Kg
1E4018 Galaxy Slim E TRK SR 5R2 AL/3000/83W/80/WB	580 x 188.4 x 81 ± 1mm	3000	10070	83W	122	90	2.6 Kg
1E4019 Galaxy Slim E TRK SR 5R2 AL/4000/83W/80/WB	580 x 188.4 x 81 ± 1mm	4000	10620	83W	128	90	2.6 Kg
1E4020 Galaxy Slim E TRK SR 5R2 AL/5000/83W/80/WB	580 x 188.4 x 81 ± 1mm	5000	10775	83W	130	90	2.6 Kg
1E4021 Galaxy Slim E TRK SR 5R2 AL/3000/83W/80/DA	580 x 188.4 x 81 ± 1mm	3000	9940	83W	120	DA	2.6 Kg
1E4022 Galaxy Slim E TRK SR 5R2 AL/4000/83W/80/DA	580 x 188.4 x 81 ± 1mm	4000	10480	83W	127	DA	2.6 Kg
1E4023 Galaxy Slim E TRK SR 5R2 AL/5000/83W/80/DA	580 x 188.4 x 81 ± 1mm	5000	10635	83W	129	DA	2.6 Kg
1E4024 Galaxy Slim E TRK SR 5R2 AL/3000/99W/80/TB	580 x 188.4 x 81 ± 1mm	3000	11395	99W	116	30	2.6 Kg
1E4025 Galaxy Slim E TRK SR 5R2 AL/4000/99W/80/TB	580 x 188.4 x 81 ± 1mm	4000	12015	99W	122	30	2.6 Kg
1E4026 Galaxy Slim E TRK SR 5R2 AL/5000/99W/80/TB	580 x 188.4 x 81 ± 1mm	5000	12190	99W	124	30	2.6 Kg
1E4027 Galaxy Slim E TRK SR 5R2 AL/3000/99W/80/NB	580 x 188.4 x 81 ± 1mm	3000	11520	99W	117	60	2.6 Kg
1E4028 Galaxy Slim E TRK SR 5R2 AL/4000/99W/80/NB	580 x 188.4 x 81 ± 1mm	4000	12150	99W	123	60	2.6 Kg
1E4029 Galaxy Slim E TRK SR 5R2 AL/5000/99W/80/NB	580 x 188.4 x 81 ± 1mm	5000	12325	99W	125	60	2.6 Kg
1E4030 Galaxy Slim E TRK SR 5R2 AL/3000/99W/80/WB	580 x 188.4 x 81 ± 1mm	3000	11520	99W	117	90	2.6 Kg
1E4031 Galaxy Slim E TRK SR 5R2 AL/4000/99W/80/WB	580 x 188.4 x 81 ± 1mm	4000	12150	99W	123	90	2.6 Kg
1E4032 Galaxy Slim E TRK SR 5R2 AL/5000/99W/80/WB	580 x 188.4 x 81 ± 1mm	5000	12325	99W	125	90	2.6 Kg
1E4033 Galaxy Slim E TRK SR 5R2 AL/3000/99W/80/DA	580 x 188.4 x 81 ± 1mm	3000	11370	99W	115	DA	2.6 Kg
1E4034 Galaxy Slim E TRK SR 5R2 AL/4000/99W/80/DA	580 x 188.4 x 81 ± 1mm	4000	11990	99W	122	DA	2.6 Kg
1E4035 Galaxy Slim E TRK SR 5R2 AL/5000/99W/80/DA	580 x 188.4 x 81 ± 1mm	5000	12165	99W	123	DA	2.6 Kg
1E4036 Galaxy Slim E TRK SR 5R3 AL/3000/99W/80/TB	862 x 188.4 x 81 ± 1mm	3000	12355	99W	125	30	3.8 Kg
1E4037 Galaxy Slim E TRK SR 5R3 AL/4000/99W/80/TB	862 x 188.4 x 81 ± 1mm	4000	13025	99W	132	30	3.8 Kg
1E4038 Galaxy Slim E TRK SR 5R3 AL/5000/99W/80/TB	862 x 188.4 x 81 ± 1mm	5000	13215	99W	134	30	3.8 Kg
1E4039 Galaxy Slim E TRK SR 5R3 AL/3000/99W/80/NB	862 x 188.4 x 81 ± 1mm	3000	12490	99W	127	60	3.8 Kg
1E4040 Galaxy Slim E TRK SR 5R3 AL/4000/99W/80/NB	862 x 188.4 x 81 ± 1mm	4000	13170	99W	134	60	3.8 Kg
1E4041 Galaxy Slim E TRK SR 5R3 AL/5000/99W/80/NB	862 x 188.4 x 81 ± 1mm	5000	13365	99W	135	60	3.8 Kg
1E4042 Galaxy Slim E TRK SR 5R3 AL/3000/99W/80/WB	862 x 188.4 x 81 ± 1mm	3000	12490	99W	127	90	3.8 Kg
1E4043 Galaxy Slim E TRK SR 5R3 AL/4000/99W/80/WB	862 x 188.4 x 81 ± 1mm	4000	13170	99W	134	90	3.8 Kg
1E4044 Galaxy Slim E TRK SR 5R3 AL/5000/99W/80/WB	862 x 188.4 x 81 ± 1mm	5000	13365	99W	135	90	3.8 Kg
1E4045 Galaxy Slim E TRK SR 5R3 AL/3000/99W/80/DA	862 x 188.4 x 81 ± 1mm	3000	12330	99W	125	DA	3.8 Kg
1E4046 Galaxy Slim E TRK SR 5R3 AL/4000/99W/80/DA	862 x 188.4 x 81 ± 1mm	4000	12995	99W	132	DA	3.8 Kg

Article Number	Dimensions (mm)	CCT (K)	Lumens (lm)	Power (W)	Efficiency (lm/watt)	Lens angle (degrees)	Weight (kg)
1E4047 Galaxy Slim E TRK SR 5R3 AL/5000/99W/80/DA	862 x 188.4 x 81 ± 1mm	5000	13190	99W	134	DA	3.8 Kg
1E4048 Galaxy Slim E TRK SR 5R3 AL/3000/124W/80/TB	862 x 188.4 x 81 ± 1mm	3000	14835	124W	120	30	3.8 Kg
1E4049 Galaxy Slim E TRK SR 5R3 AL/4000/124W/80/TB	862 x 188.4 x 81 ± 1mm	4000	15640	124W	127	30	3.8 Kg
1E4050 Galaxy Slim E TRK SR 5R3 AL/5000/124W/80/TB	862 x 188.4 x 81 ± 1mm	5000	15875	124W	129	30	3.8 Kg
1E4051 Galaxy Slim E TRK SR 5R3 AL/3000/124W/80/NB	862 x 188.4 x 81 ± 1mm	3000	15000	124W	121	60	3.8 Kg
1E4052 Galaxy Slim E TRK SR 5R3 AL/4000/124W/80/NB	862 x 188.4 x 81 ± 1mm	4000	15815	124W	128	60	3.8 Kg
1E4053 Galaxy Slim E TRK SR 5R3 AL/5000/124W/80/NB	862 x 188.4 x 81 ± 1mm	5000	16050	124W	130	60	3.8 Kg
1E4054 Galaxy Slim E TRK SR 5R3 AL/3000/124W/80/WB	862 x 188.4 x 81 ± 1mm	3000	15000	124W	121	90	3.8 Kg
1E4055 Galaxy Slim E TRK SR 5R3 AL/4000/124W/80/WB	862 x 188.4 x 81 ± 1mm	4000	15815	124W	128	90	3.8 Kg
1E4056 Galaxy Slim E TRK SR 5R3 AL/5000/124W/80/WB	862 x 188.4 x 81 ± 1mm	5000	16050	124W	130	90	3.8 Kg
1E4057 Galaxy Slim E TRK SR 5R3 AL/3000/124W/80/DA	862 x 188.4 x 81 ± 1mm	3000	14805	124W	120	DA	3.8 Kg
1E4058 Galaxy Slim E TRK SR 5R3 AL/4000/124W/80/DA	862 x 188.4 x 81 ± 1mm	4000	15610	124W	126	DA	3.8 Kg
1E4059 Galaxy Slim E TRK SR 5R3 AL/5000/124W/80/DA	862 x 188.4 x 81 ± 1mm	5000	15840	124W	128	DA	3.8 Kg
1E4060 Galaxy Slim E TRK SR 5R3 AL/3000/149W/80/TB	862 x 188.4 x 81 ± 1mm	3000	17125	149W	115	30	3.8 Kg
1E4061 Galaxy Slim E TRK SR 5R3 AL/4000/149W/80/TB	862 x 188.4 x 81 ± 1mm	4000	18055	149W	122	30	3.8 Kg
1E4062 Galaxy Slim E TRK SR 5R3 AL/5000/149W/80/TB	862 x 188.4 x 81 ± 1mm	5000	18325	149W	123	30	3.8 Kg
1E4063 Galaxy Slim E TRK SR 5R3 AL/3000/149W/80/NB	862 x 188.4 x 81 ± 1mm	3000	17320	149W	117	60	3.8 Kg
1E4064 Galaxy Slim E TRK SR 5R3 AL/4000/149W/80/NB	862 x 188.4 x 81 ± 1mm	4000	18260	149W	123	60	3.8 Kg
1E4065 Galaxy Slim E TRK SR 5R3 AL/5000/149W/80/NB	862 x 188.4 x 81 ± 1mm	5000	18530	149W	125	60	3.8 Kg
1E4066 Galaxy Slim E TRK SR 5R3 AL/3000/149W/80/WB	862 x 188.4 x 81 ± 1mm	3000	17320	149W	117	90	3.8 Kg
1E4067 Galaxy Slim E TRK SR 5R3 AL/4000/149W/80/WB	862 x 188.4 x 81 ± 1mm	4000	18260	149W	123	90	3.8 Kg
1E4068 Galaxy Slim E TRK SR 5R3 AL/5000/149W/80/WB	862 x 188.4 x 81 ± 1mm	5000	18530	149W	125	90	3.8 Kg
1E4069 Galaxy Slim E TRK SR 5R3 AL/3000/149W/80/DA	862 x 188.4 x 81 ± 1mm	3000	17095	149W	115	DA	3.8 Kg
1E4070 Galaxy Slim E TRK SR 5R3 AL/4000/149W/80/DA	862 x 188.4 x 81 ± 1mm	4000	18020	149W	121	DA	3.8 Kg
1E4071 Galaxy Slim E TRK SR 5R3 AL/5000/149W/80/DA	862 x 188.4 x 81 ± 1mm	5000	18285	149W	123	DA	3.8 Kg
1E4072 Galaxy Slim E TRK SR 5R4 AL/3000/131W/80/TB	1144 x 188.4 x 81 ± 1mm	3000	16535	131W	127	30	5 Kg
1E4073 Galaxy Slim E TRK SR 5R4 AL/4000/131W/80/TB	1144 x 188.4 x 81 ± 1mm	4000	17430	131W	134	30	5 Kg
1E4074 Galaxy Slim E TRK SR 5R4 AL/5000/131W/80/TB	1144 x 188.4 x 81 ± 1mm	5000	17690	131W	136	30	5 Kg
1E4075 Galaxy Slim E TRK SR 5R4 AL/3000/131W/80/NB	1144 x 188.4 x 81 ± 1mm	3000	16720	131W	128	60	5 Kg
1E4076 Galaxy Slim E TRK SR 5R4 AL/4000/131W/80/NB	1144 x 188.4 x 81 ± 1mm	4000	17625	131W	135	60	5 Kg
1E4077 Galaxy Slim E TRK SR 5R4 AL/5000/131W/80/NB	1144 x 188.4 x 81 ± 1mm	5000	17885	131W	137	60	5 Kg
1E4078 Galaxy Slim E TRK SR 5R4 AL/3000/131W/80/WB	1144 x 188.4 x 81 ± 1mm	3000	16720	131W	128	90	5 Kg
1E4079 Galaxy Slim E TRK SR 5R4 AL/4000/131W/80/WB	1144 x 188.4 x 81 ± 1mm	4000	17625	131W	135	90	5 Kg
1E4080 Galaxy Slim E TRK SR 5R4 AL/5000/131W/80/WB	1144 x 188.4 x 81 ± 1mm	5000	17885	131W	137	90	5 Kg
1E4081 Galaxy Slim E TRK SR 5R4 AL/3000/131W/80/DA	1144 x 188.4 x 81 ± 1mm	3000	16500	131W	126	DA	5 Kg
1E4082 Galaxy Slim E TRK SR 5R4 AL/4000/131W/80/DA	1144 x 188.4 x 81 ± 1mm	4000	17395	131W	133	DA	5 Kg
1E4083 Galaxy Slim E TRK SR 5R4 AL/5000/131W/80/DA	1144 x 188.4 x 81 ± 1mm	5000	17655	131W	135	DA	5 Kg
1E4084 Galaxy Slim E TRK SR 5R4 AL/3000/165W/80/TB	1144 x 188.4 x 81 ± 1mm	3000	19820	165W	121	30	5 Kg
1E4085 Galaxy Slim E TRK SR 5R4 AL/4000/165W/80/TB	1144 x 188.4 x 81 ± 1mm	4000	20895	165W	127	30	5 Kg
1E4086 Galaxy Slim E TRK SR 5R4 AL/5000/165W/80/TB	1144 x 188.4 x 81 ± 1mm	5000	21205	165W	129	30	5 Kg
1E4087 Galaxy Slim E TRK SR 5R4 AL/3000/165W/80/NB	1144 x 188.4 x 81 ± 1mm	3000	20040	165W	122	60	5 Kg
1E4088 Galaxy Slim E TRK SR 5R4 AL/4000/165W/80/NB	1144 x 188.4 x 81 ± 1mm	4000	21130	165W	129	60	5 Kg
1E4089 Galaxy Slim E TRK SR 5R4 AL/5000/165W/80/NB	1144 x 188.4 x 81 ± 1mm	5000	21440	165W	130	60	5 Kg
1E4090 Galaxy Slim E TRK SR 5R4 AL/3000/165W/80/WB	1144 x 188.4 x 81 ± 1mm	3000	20040	165W	122	90	5 Kg
1E4091 Galaxy Slim E TRK SR 5R4 AL/4000/165W/80/WB	1144 x 188.4 x 81 ± 1mm	4000	21130	165W	129	90	5 Kg
1E4092 Galaxy Slim E TRK SR 5R4 AL/5000/165W/80/WB	1144 x 188.4 x 81 ± 1mm	5000	21440	165W	130	90	5 Kg
1E4093 Galaxy Slim E TRK SR 5R4 AL/3000/165W/80/DA	1144 x 188.4 x 81 ± 1mm	3000	19780	165W	120	DA	5 Kg

Article Number	Dimensions (mm)	CCT (K)	Lumens (lm)	Power (W)	Efficiency (lm/watt)	Lens angle (degrees)	Weight (kg)
1E4094 Galaxy Slim E TRK SR 5R4 AL/4000/165W/80/DA	1144 x 188.4 x 81 ± 1mm	4000	20855	165W	127	DA	5 Kg
1E4095 Galaxy Slim E TRK SR 5R4 AL/5000/165W/80/DA	1144 x 188.4 x 81 ± 1mm	5000	21165	165W	129	DA	5 Kg
1E4096 Galaxy Slim E TRK SR 5R4 AL/3000/197W/80/TB	1144 x 188.4 x 81 ± 1mm	3000	22810	197W	116	30	5 Kg
1E4097 Galaxy Slim E TRK SR 5R4 AL/4000/197W/80/TB	1144 x 188.4 x 81 ± 1mm	4000	24050	197W	123	30	5 Kg
1E4098 Galaxy Slim E TRK SR 5R4 AL/5000/197W/80/TB	1144 x 188.4 x 81 ± 1mm	5000	24405	197W	124	30	5 Kg
1E4099 Galaxy Slim E TRK SR 5R4 AL/3000/197W/80/NB	1144 x 188.4 x 81 ± 1mm	3000	23065	197W	118	60	5 Kg
1E4100 Galaxy Slim E TRK SR 5R4 AL/4000/197W/80/NB	1144 x 188.4 x 81 ± 1mm	4000	24320	197W	124	60	5 Kg
1E4101 Galaxy Slim E TRK SR 5R4 AL/5000/197W/80/NB	1144 x 188.4 x 81 ± 1mm	5000	24680	197W	126	60	5 Kg
1E4102 Galaxy Slim E TRK SR 5R4 AL/3000/197W/80/WB	1144 x 188.4 x 81 ± 1mm	3000	23065	197W	118	90	5 Kg
1E4103 Galaxy Slim E TRK SR 5R4 AL/4000/197W/80/WB	1144 x 188.4 x 81 ± 1mm	4000	24320	197W	124	90	5 Kg
1E4104 Galaxy Slim E TRK SR 5R4 AL/5000/197W/80/WB	1144 x 188.4 x 81 ± 1mm	5000	24680	197W	126	90	5 Kg
1E4105 Galaxy Slim E TRK SR 5R4 AL/3000/197W/80/DA	1144 x 188.4 x 81 ± 1mm	3000	22765	197W	116	DA	5 Kg
1E4106 Galaxy Slim E TRK SR 5R4 AL/4000/197W/80/DA	1144 x 188.4 x 81 ± 1mm	4000	24000	197W	122	DA	5 Kg
1E4107 Galaxy Slim E TRK SR 5R4 AL/5000/197W/80/DA	1144 x 188.4 x 81 ± 1mm	5000	24355	197W	124	DA	5 Kg
1E4108 Galaxy Slim E TRK SR 5R5 AL/3000/163W/80/TB	1424 x 188.4 x 81 ± 1mm	3000	20205	163W	124	30	6.2 Kg
1E4109 Galaxy Slim E TRK SR 5R5 AL/4000/163W/80/TB	1424 x 188.4 x 81 ± 1mm	4000	21300	163W	131	30	6.2 Kg
1E4110 Galaxy Slim E TRK SR 5R5 AL/5000/163W/80/TB	1424 x 188.4 x 81 ± 1mm	5000	21615	163W	133	30	6.2 Kg
1E4111 Galaxy Slim E TRK SR 5R5 AL/3000/163W/80/NB	1424 x 188.4 x 81 ± 1mm	3000	20430	163W	126	60	6.2 Kg
1E4112 Galaxy Slim E TRK SR 5R5 AL/4000/163W/80/NB	1424 x 188.4 x 81 ± 1mm	4000	21540	163W	133	60	6.2 Kg
1E4113 Galaxy Slim E TRK SR 5R5 AL/5000/163W/80/NB	1424 x 188.4 x 81 ± 1mm	5000	21860	163W	135	60	6.2 Kg
1E4114 Galaxy Slim E TRK SR 5R5 AL/3000/163W/80/WB	1424 x 188.4 x 81 ± 1mm	3000	20430	163W	126	90	6.2 Kg
1E4115 Galaxy Slim E TRK SR 5R5 AL/4000/163W/80/WB	1424 x 188.4 x 81 ± 1mm	4000	21540	163W	133	90	6.2 Kg
1E4116 Galaxy Slim E TRK SR 5R5 AL/5000/163W/80/WB	1424 x 188.4 x 81 ± 1mm	5000	21860	163W	135	90	6.2 Kg
1E4117 Galaxy Slim E TRK SR 5R5 AL/3000/163W/80/DA	1424 x 188.4 x 81 ± 1mm	3000	20165	163W	124	DA	6.2 Kg
1E4118 Galaxy Slim E TRK SR 5R5 AL/4000/163W/80/DA	1424 x 188.4 x 81 ± 1mm	4000	21260	163W	131	DA	6.2 Kg
1E4119 Galaxy Slim E TRK SR 5R5 AL/5000/163W/80/DA	1424 x 188.4 x 81 ± 1mm	5000	21575	163W	133	DA	6.2 Kg
1E4120 Galaxy Slim E TRK SR 5R5 AL/3000/206W/80/TB	1424 x 188.4 x 81 ± 1mm	3000	24340	206W	119	30	6.2 Kg
1E4121 Galaxy Slim E TRK SR 5R5 AL/4000/206W/80/TB	1424 x 188.4 x 81 ± 1mm	4000	25660	206W	125	30	6.2 Kg
1E4122 Galaxy Slim E TRK SR 5R5 AL/5000/206W/80/TB	1424 x 188.4 x 81 ± 1mm	5000	26040	206W	127	30	6.2 Kg
1E4123 Galaxy Slim E TRK SR 5R5 AL/3000/206W/80/NB	1424 x 188.4 x 81 ± 1mm	3000	24610	206W	120	60	6.2 Kg
1E4124 Galaxy Slim E TRK SR 5R5 AL/4000/206W/80/NB	1424 x 188.4 x 81 ± 1mm	4000	25945	206W	126	60	6.2 Kg
1E4125 Galaxy Slim E TRK SR 5R5 AL/5000/206W/80/NB	1424 x 188.4 x 81 ± 1mm	5000	26330	206W	128	60	6.2 Kg
1E4126 Galaxy Slim E TRK SR 5R5 AL/3000/206W/80/WB	1424 x 188.4 x 81 ± 1mm	3000	24610	206W	120	90	6.2 Kg
1E4127 Galaxy Slim E TRK SR 5R5 AL/4000/206W/80/WB	1424 x 188.4 x 81 ± 1mm	4000	25945	206W	126	90	6.2 Kg
1E4128 Galaxy Slim E TRK SR 5R5 AL/5000/206W/80/WB	1424 x 188.4 x 81 ± 1mm	5000	26330	206W	128	90	6.2 Kg
1E4129 Galaxy Slim E TRK SR 5R5 AL/3000/206W/80/DA	1424 x 188.4 x 81 ± 1mm	3000	24290	206W	118	DA	6.2 Kg
1E4130 Galaxy Slim E TRK SR 5R5 AL/4000/206W/80/DA	1424 x 188.4 x 81 ± 1mm	4000	25610	206W	125	DA	6.2 Kg
1E4131 Galaxy Slim E TRK SR 5R5 AL/5000/206W/80/DA	1424 x 188.4 x 81 ± 1mm	5000	25990	206W	127	DA	6.2 Kg
1E4132 Galaxy Slim E TRK SR 5R5 AL/3000/244W/80/TB	1424 x 188.4 x 81 ± 1mm	3000	27580	244W	114	30	6.2 Kg
1E4133 Galaxy Slim E TRK SR 5R5 AL/4000/244W/80/TB	1424 x 188.4 x 81 ± 1mm	4000	29075	244W	120	30	6.2 Kg
1E4134 Galaxy Slim E TRK SR 5R5 AL/5000/244W/80/TB	1424 x 188.4 x 81 ± 1mm	5000	29505	244W	121	30	6.2 Kg
1E4135 Galaxy Slim E TRK SR 5R5 AL/3000/244W/80/NB	1424 x 188.4 x 81 ± 1mm	3000	27885	244W	115	60	6.2 Kg
1E4136 Galaxy Slim E TRK SR 5R5 AL/4000/244W/80/NB	1424 x 188.4 x 81 ± 1mm	4000	29400	244W	121	60	6.2 Kg
1E4137 Galaxy Slim E TRK SR 5R5 AL/5000/244W/80/NB	1424 x 188.4 x 81 ± 1mm	5000	29835	244W	123	60	6.2 Kg
1E4138 Galaxy Slim E TRK SR 5R5 AL/3000/244W/80/WB	1424 x 188.4 x 81 ± 1mm	3000	27885	244W	115	90	6.2 Kg
1E4139 Galaxy Slim E TRK SR 5R5 AL/4000/244W/80/WB	1424 x 188.4 x 81 ± 1mm	4000	29400	244W	121	90	6.2 Kg
1E4140 Galaxy Slim E TRK SR 5R5 AL/5000/244W/80/WB	1424 x 188.4 x 81 ± 1mm	5000	29835	244W	123	90	6.2 Kg

Article Number	Dimensions (mm)	CCT (K)	Lumens (lm)	Power (W)	Efficiency (lm/watt)	Lens angle (degrees)	Weight (kg)
1E4141 Galaxy Slim E TRK SR 5R5 AL/3000/244W/80/DA	1424 x 188.4 x 81 ± 1mm	3000	27525	244W	113	DA	6.2 Kg
1E4142 Galaxy Slim E TRK SR 5R5 AL/4000/244W/80/DA	1424 x 188.4 x 81 ± 1mm	4000	29020	244W	119	DA	6.2 Kg
1E4143 Galaxy Slim E TRK SR 5R5 AL/5000/244W/80/DA	1424 x 188.4 x 81 ± 1mm	5000	29450	244W	121	DA	6.2 Kg