



Juniper R IP54

RECESSED DOWNLIGHTS | NON-DALI SERIES

Compact, round recessed spotlight provides wide-beam distribution for pleasant lighting and visual comfort in industrial working spaces, warehouses, refrigerated rooms. Suitable for general lighting purposes in dust and humid conditions thanks to its IP54 factor.

Housing available in signal white color, easy to complement any type of ceiling.

Juniper R IP54 recessed luminaires come in several series, with various add-on and controls:

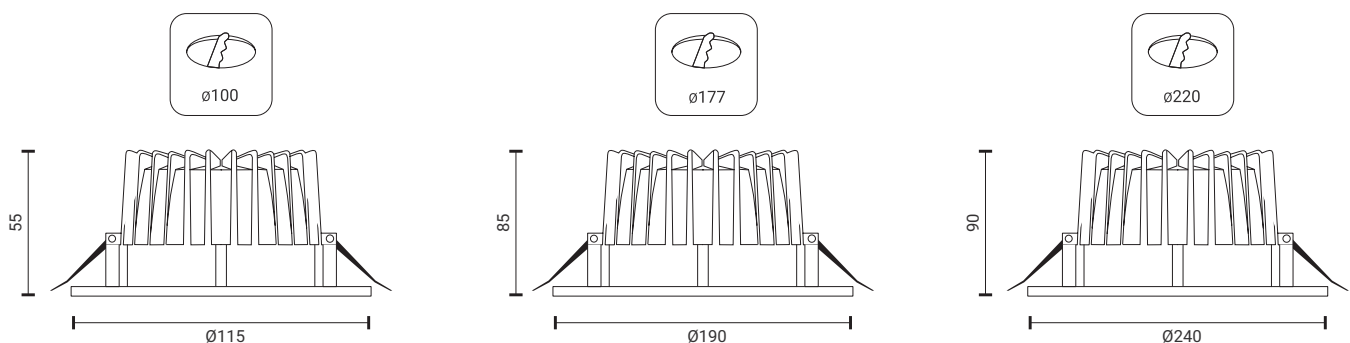
- Juniper R IP54 Non-DALI – the standard for industrial spaces
- Juniper R IP54 DALI – with DALI controls for illumination adjustments
- Juniper R IP54 Non-DALI EM – series with emergency lighting kit
- Juniper R IP54 DALI EM – with dimming and emergency kit

APPLICATION

Grocery & Supermarkets | Office | Healthcare | Hospitality | DIY

FEATURES & BENEFITS

- CRI \geq 80 standard
- Very long service life: 50,000 h at 90% luminous flux
- High efficiency of 125lm/watt
- Lens angle of 75°
- Dimmable (only for DALI and DALI EM Series)



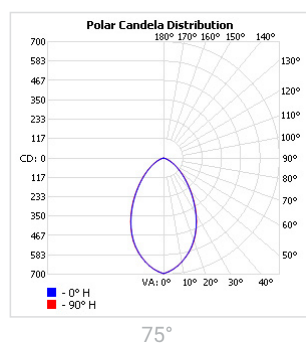
SPECIFICATIONS

Power consumption	9W, 17W	9W, 17W, 23W, 30W	9W, 17W, 23W, 30W, 40W
Dimensions	115x55xØ100±1mm	190x85xØ177±1mm	240x90xØ220±1mm
Weight	0.5 Kg	1 Kg	1.5 Kg
Housing materials	Aluminium, Glass		
IK code	IK02		
THD (at 230V, 50Hz, Full load)	<15%		
Protection class	Safety class 1		
Operating temperature [°C]	-20°C ... +45°C / -4F ... +113F		
Operating humidity [%]	10 ÷ 85		
Power factor	≥0.95		
AC Input [Vac]	220 - 240 VAC		
Lens angle [°]	75°		
Lifespan [h]	50,000		
Housing color	○ RAL 9003 - signal white		
Lumen maintenance	L90/B10@50.000h at 25°C		
IP factor (front face)	IP54		
Control option	-		
Warranty [years]	5		
Storage temperature range [°C]	-20°C ...+55°C / -4F ... +131F		
Emergency option	-		

Light application	Standard
CRI	CRI 80
CCT [K]	3000K/4000K/5000K/6500K
MacAdam	4

CRI - Color rendering, CCT - Color temperature, MacAdam - Color consistency

LIGHT DISTRIBUTION



TOLERANCES

Luminous flux tolerances: -/+ 5%

Consumption tolerance: -/+ 5% for Non-DALI | -/+ 10% for Non-DALI & KIT EM | -/+ 10% for DALI | -/+ 15% for DALI & KIT EM

BATTERY WARRANTY

Non-DALI EM & DALI EM: 12 months warranty

Non-DALI & DALI: -

MAXIMUM NO. OF LUMINAIRES ON A CIRCUIT

Luminaire Power(W)	Control type	Circuit Breaker Type					
		B			C		
		20	16	10	20	16	10
9-17W	Non-DALI	62	50	31	104	85	52
23-30W	Non-DALI	24	20	10	47	40	20
45W	Non-DALI	37	30	18	62	65	31
9-17W	DALI	62	50	31	104	85	52
23-30W	DALI	25	21	13	50	42	26
45W	DALI	17	14	9	34	28	18

RISK GROUP

Standard (CRI80)	RG1
FOOD (BVF, FBS, FSM)	RG1
FOOD ≤35W (FZM, FSH)	RG1
FOOD >35W (FZM, FSH)	RG2
FAS	RG1
AMB2200	RG1
ART	RG1
AGI	RG1
CRI90	RG1
CRI95	RG1
ENT	RG1

RG1

The evaluation of photobiological safety is carried out according to the standard IEC 62471:2008 ("Photobiological safety of lamps and lamp systems"). Following the definition of the risk grouping system of the mentioned IEC standard, the LEDs mounted on this family fall into the class "Low Risk (RG1 – No photobiological hazard under normal behavioral limitations)". Under real circumstances (regarding exposure time, pupils, observation distance), it is assumed that there is no endangerment to the eye from these devices. As a matter of principle, however, it should be mentioned that intense light sources have a high secondary exposure potential due to their blinding effect.

RG2

The evaluation of photobiological safety is carried out according to the standard IEC 62471:2008 ("Photobiological safety of lamps and lamp systems"). Following the definition of the risk grouping system of the mentioned IEC standard, the LEDs mounted on this family fall into the class "Moderate Risk (RG2)". Under real circumstances (regarding exposure time, pupils, observation distance), it is assumed that there is no endangerment to the eye from these devices. As a matter of principle, however, it should be mentioned that intense light sources have a high secondary exposure potential due to their blinding effect.

SKU SPECIFICATIONS

Product Code	Dimensions (mm)	CCT (K)	Lumens (lm)	Power (W)	Eff. (lm/watt)	Lens Angle (°)
CRI 80						
158000 JuniperR 100mm/3000/9W/80/A75/IP54	D115xH55xØ100mm±1mm	3000	900	9W	100	75°
158001 JuniperR 100mm/4000/9W/80/A75/IP54	D115xH55xØ100mm±1mm	4000	940	9W	105	75°
158002 JuniperR 100mm/5000/9W/80/A75/IP54	D115xH55xØ100mm±1mm	5000	965	9W	108	75°
158003 JuniperR 100mm/6500/9W/80/A75/IP54	D115xH55xØ100mm±1mm	6500	940	9W	105	75°
158004 JuniperR 177mm/3000/9W/80/A75/IP54	D190xH85xØ177mm±1mm	3000	935	9W	104	75°
158005 JuniperR 177mm/4000/9W/80/A75/IP54	D190xH85xØ177mm±1mm	4000	975	9W	109	75°
158006 JuniperR 177mm/5000/9W/80/A75/IP54	D190xH85xØ177mm±1mm	5000	1000	9W	112	75°
158007 JuniperR 177mm/6500/9W/80/A75/IP54	D190xH85xØ177mm±1mm	6500	975	9W	109	75°
158008 JuniperR 220mm/3000/9W/80/A75/IP54	D240xH90xØ220mm±1mm	3000	940	9W	105	75°
158009 JuniperR 220mm/4000/9W/80/A75/IP54	D240xH90xØ220mm±1mm	4000	980	9W	109	75°
158010 JuniperR 220mm/5000/9W/80/A75/IP54	D240xH90xØ220mm±1mm	5000	1005	9W	112	75°
158011 JuniperR 220mm/6500/9W/80/A75/IP54	D240xH90xØ220mm±1mm	6500	980	9W	109	75°
158012 JuniperR 100mm/3000/17W/80/A75/IP54	D115xH55xØ100mm±1mm	3000	1800	17W	106	75°
158013 JuniperR 100mm/4000/17W/80/A75/IP54	D115xH55xØ100mm±1mm	4000	1875	17W	111	75°
158014 JuniperR 100mm/5000/17W/80/A75/IP54	D115xH55xØ100mm±1mm	5000	1925	17W	114	75°
158015 JuniperR 100mm/6500/17W/80/A75/IP54	D115xH55xØ100mm±1mm	6500	1875	17W	111	75°
158016 JuniperR 177mm/3000/17W/80/A75/IP54	D190xH85xØ177mm±1mm	3000	1950	17W	115	75°
158017 JuniperR 177mm/4000/17W/80/A75/IP54	D190xH85xØ177mm±1mm	4000	2035	17W	120	75°
158018 JuniperR 177mm/5000/17W/80/A75/IP54	D190xH85xØ177mm±1mm	5000	2090	17W	123	75°
158019 JuniperR 177mm/6500/17W/80/A75/IP54	D190xH85xØ177mm±1mm	6500	2035	17W	120	75°
158020 JuniperR 220mm/3000/17W/80/A75/IP54	D240xH90xØ220mm±1mm	3000	1955	17W	115	75°
158021 JuniperR 220mm/4000/17W/80/A75/IP54	D240xH90xØ220mm±1mm	4000	2035	17W	120	75°
158022 JuniperR 220mm/5000/17W/80/A75/IP54	D240xH90xØ220mm±1mm	5000	2090	17W	123	75°
158023 JuniperR 220mm/6500/17W/80/A75/IP54	D240xH90xØ220mm±1mm	6500	2035	17W	120	75°
158024 JuniperR 177mm/3000/23W/80/A75/IP54	D190xH85xØ177mm±1mm	3000	2665	23W	116	75°
158025 JuniperR 177mm/4000/23W/80/A75/IP54	D190xH85xØ177mm±1mm	4000	2775	23W	121	75°
158026 JuniperR 177mm/5000/23W/80/A75/IP54	D190xH85xØ177mm±1mm	5000	2850	23W	124	75°
158027 JuniperR 177mm/6500/23W/80/A75/IP54	D190xH85xØ177mm±1mm	6500	2775	23W	121	75°
158028 JuniperR 220mm/3000/23W/80/A75/IP54	D240xH90xØ220mm±1mm	3000	2595	23W	113	75°
158029 JuniperR 220mm/4000/23W/80/A75/IP54	D240xH90xØ220mm±1mm	4000	2705	23W	118	75°
158030 JuniperR 220mm/5000/23W/80/A75/IP54	D240xH90xØ220mm±1mm	5000	2775	23W	121	75°
158031 JuniperR 220mm/6500/23W/80/A75/IP54	D240xH90xØ220mm±1mm	6500	2705	23W	118	75°
158032 JuniperR 177mm/3000/30W/80/A75/IP54	D190xH85xØ177mm±1mm	3000	3575	30W	120	75°
158033 JuniperR 177mm/4000/30W/80/A75/IP54	D190xH85xØ177mm±1mm	4000	3725	30W	125	75°
158034 JuniperR 177mm/5000/30W/80/A75/IP54	D190xH85xØ177mm±1mm	5000	3825	30W	128	75°
158035 JuniperR 177mm/6500/30W/80/A75/IP54	D190xH85xØ177mm±1mm	6500	3725	30W	125	75°
158036 JuniperR 220mm/3000/30W/80/A75/IP54	D240xH90xØ220mm±1mm	3000	3590	30W	120	75°
158037 JuniperR 220mm/4000/30W/80/A75/IP54	D240xH90xØ220mm±1mm	4000	3740	30W	125	75°
158038 JuniperR 220mm/5000/30W/80/A75/IP54	D240xH90xØ220mm±1mm	5000	3840	30W	128	75°
158039 JuniperR 220mm/6500/30W/80/A75/IP54	D240xH90xØ220mm±1mm	6500	3740	30W	125	75°
158040 JuniperR 220mm/3000/40W/80/A75/IP54	D240xH90xØ220mm±1mm	3000	4785	40W	120	75°
158041 JuniperR 220mm/4000/40W/80/A75/IP54	D240xH90xØ220mm±1mm	4000	4985	40W	125	75°
158042 JuniperR 220mm/5000/40W/80/A75/IP54	D240xH90xØ220mm±1mm	5000	5120	40W	128	75°
158043 JuniperR 220mm/6500/40W/80/A75/IP54	D240xH90xØ220mm±1mm	6500	4985	40W	125	75°

Technical specifications can be modified without prior notice. All information is property of Greentek Lighting.
 The presentation picture is for information purposes only. Latest document update: November 18, 2019 1:52 PM. www.greentek.eu