



Rigan

RECESSED SPOTLIGHTS | NON-DALI EM SERIES

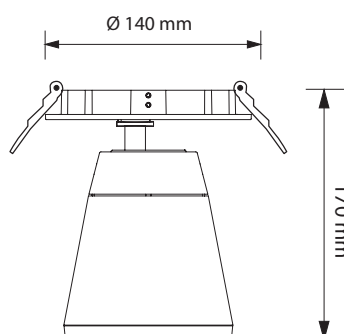
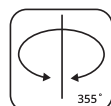
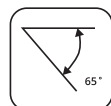
Modern, angular, recessed spotlight for spaces that need precise, concentrated illumination or wall washing effects. Spotlight rotates through 355° and pivots through 65°. Optimized for directional beam in retail shops and commercial spaces, showrooms, art galleries. May be installed onto the wall. Can be equipped with a wide range of special temperature colors.

Rigan recessed spotlights come in several series, with various add-on and controls:

- Rigan Non-DALI – represents the standard for all projects in the retail sector
- Rigan DALI – with DALI controls for illumination adjustments
- Rigan Non-DALI EM – with an emergency lighting kit
- Rigan DALI EM – with both illumination adjustments and emergency kit

APPLICATION

Supermarket | Fashion | Retail | Hospitality | Exhibition | Architectural



FEATURES & BENEFITS

- CRI > 80 as standard, up to 98 for certain special color
- 14 color temperatures, including specialized options for food, fashion, art, hospitality and AGI light
- Variety of optics – 4 angles from narrow beams to flood beams
- Luminaire efficiency: 117lm/W @4000K
- Dimmable (only for DALI Series and DALI EM Series)
- Equipped with emergency kit (1h / 3h)

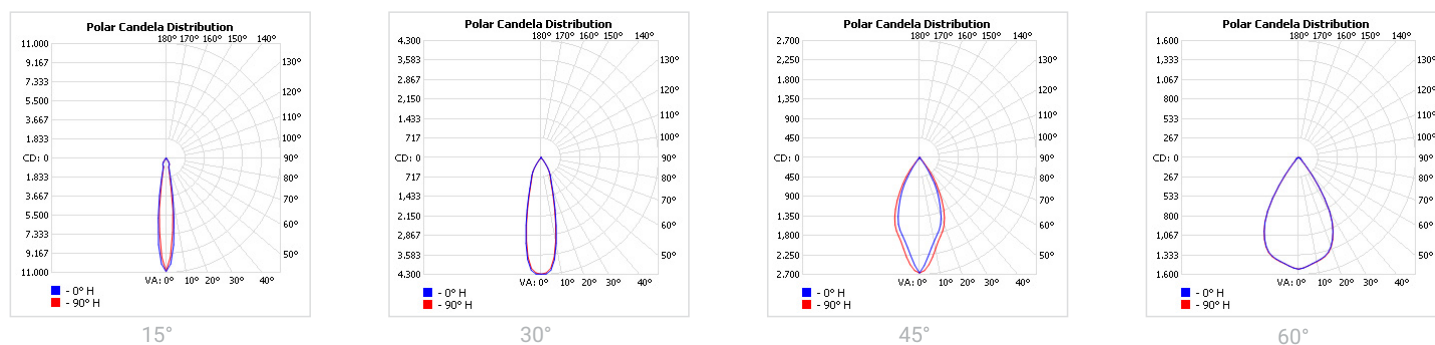
SPECIFICATIONS

Power consumption	12W, 14W, 17W, 20W, 23W, 27W
Dimensions	D115 x H170 x Ø140mm ± 1mm
Weight	1.6 Kg - 1.9 Kg
Housing materials	Aluminium, glass
IK code	IK02
THD (at 230V, 50Hz, Full load)	<20%
Protection class	Safety class 1
Operating temperature [°C]	+5°C ... +40°C / +41F ... +104F
Operating humidity [%]	10 ÷ 85
Power factor	≥0.95
AC Input [Vac]	220 - 240 VAC
Lens angle [°]	15°, 30°, 45°, 60°
Lifespan [h]	50,000
Housing color	○ RAL 9003 - Signal White, ● RAL 9005 - Jet Black, ● RAL 9006 - White Aluminium
Lumen maintenance	L90/B10@50,000h at 25°C
IP factor (general)	IP20
Control option	-
Warranty [years]	5
Storage temperature range [°C]	+5°C ... +25°C / +41F ... +77F
Emergency option	EM1H, EM3H

#	Standard	Food	Fashion	AGI	ART
CRI	CRI80	CRI80	CRI95	CRI93	CRI98
CCT [K]	2700 / 3000 / 3500 / 4000	BVF / FBS / FZM / FSM / FSH	FAS	AGI 3000 / 3500 / 4000	3000
MacAdam	3	3 / 4 / 4 / 3 / 3	3	3	2

CRI - Color rendering, CCT - Color temperature, MacAdam - Color consistency

LIGHT DISTRIBUTION



TOLERANCES

Luminous flux tolerances: -/+ 5%

Consumption tolerance: -/+ 5% for Non-DALI | -/+ 10% for Non-DALI & KIT EM | -/+ 10% for DALI | -/+ 15% for DALI & KIT EM

BATTERY WARRANTY

Non-DALI EM & DALI EM: 12 months warranty

Non-DALI & DALI: -

MAXIMUM NO. OF LUMINAIRES ON A CIRCUIT

Luminaire Power(W)	Control type	Circuit Breaker Type					
		B			C		
		20	16	10	20	16	10
8-20W	Non-DALI	62	50	31	104	85	52
23-35W	Non-DALI	24	20	10	47	40	20
42W	Non-DALI	20	16	8	38	32	16
8-20W	DALI	62	50	31	104	85	52
23-27W	DALI	25	21	13	50	42	26
34-42W	DALI	17	14	9	34	28	18

RISK GROUP

Standard (CRI80)	RG1
FOOD (BVF, FBS, FSM)	RG1
FOOD ≤35W (FZM, FSH)	RG1
FOOD >35W (FZM, FSH)	RG2
FAS	RG1
AMB2200	RG1
ART	RG1
AGI	RG1
CRI90	RG1
CRI95	RG1
ENT	RG1

RG1

The evaluation of photobiological safety is carried out according to the standard IEC 62471:2008 ("Photobiological safety of lamps and lamp systems"). Following the definition of the risk grouping system of the mentioned IEC standard, the LEDs mounted on this family fall into the class "Low Risk (RG1 – No photobiological hazard under normal behavioral limitations)". Under real circumstances (regarding exposure time, pupils, observation distance), it is assumed that there is no endangerment to the eye from these devices. As a matter of principle, however, it should be mentioned that intense light sources have a high secondary exposure potential due to their blinding effect.

RG2

The evaluation of photobiological safety is carried out according to the standard IEC 62471:2008 ("Photobiological safety of lamps and lamp systems"). Following the definition of the risk grouping system of the mentioned IEC standard, the LEDs mounted on this family fall into the class "Moderate Risk (RG2)". Under real circumstances (regarding exposure time, pupils, observation distance), it is assumed that there is no endangerment to the eye from these devices. As a matter of principle, however, it should be mentioned that intense light sources have a high secondary exposure potential due to their blinding effect.

SKU SPECIFICATIONS

Product Code	Dimensions (mm)	CCT (K)	Lumens (lm)	Power (W)	Eff. (lm/watt)	Lens Angle (°)
CRI 80						
133088 Rigan R31012/2700/14W/80/A15/EM1H	D115xH170xØ140mm±1mm	2700	1485	14W	107	15°
133089 Rigan R31012/3000/14W/80/A15/EM1H	D115xH170xØ140mm±1mm	3000	1500	14W	108	15°
133090 Rigan R31012/3500/14W/80/A15/EM1H	D115xH170xØ140mm±1mm	3500	1540	14W	110	15°
133091 Rigan R31012/4000/14W/80/A15/EM1H	D115xH170xØ140mm±1mm	4000	1570	14W	113	15°
133093 Rigan R31012/2700/14W/80/A30/EM1H	D115xH170xØ140mm±1mm	2700	1485	14W	107	30°
133094 Rigan R31012/3000/14W/80/A30/EM1H	D115xH170xØ140mm±1mm	3000	1500	14W	108	30°
133095 Rigan R31012/3500/14W/80/A30/EM1H	D115xH170xØ140mm±1mm	3500	1540	14W	110	30°
133096 Rigan R31012/4000/14W/80/A30/EM1H	D115xH170xØ140mm±1mm	4000	1570	14W	113	30°
133098 Rigan R31012/2700/14W/80/A45/EM1H	D115xH170xØ140mm±1mm	2700	1485	14W	107	45°
133099 Rigan R31012/3000/14W/80/A45/EM1H	D115xH170xØ140mm±1mm	3000	1500	14W	108	45°
133100 Rigan R31012/3500/14W/80/A45/EM1H	D115xH170xØ140mm±1mm	3500	1540	14W	110	45°
133101 Rigan R31012/4000/14W/80/A45/EM1H	D115xH170xØ140mm±1mm	4000	1570	14W	113	45°
133103 Rigan R31012/2700/14W/80/A60/EM1H	D115xH170xØ140mm±1mm	2700	1485	14W	107	60°
133104 Rigan R31012/3000/14W/80/A60/EM1H	D115xH170xØ140mm±1mm	3000	1500	14W	108	60°
133105 Rigan R31012/3500/14W/80/A60/EM1H	D115xH170xØ140mm±1mm	3500	1540	14W	110	60°
133106 Rigan R31012/4000/14W/80/A60/EM1H	D115xH170xØ140mm±1mm	4000	1570	14W	113	60°
133108 Rigan R31012/2700/20W/80/A15/EM1H	D115xH170xØ140mm±1mm	2700	2080	20W	104	15°
133109 Rigan R31012/3000/20W/80/A15/EM1H	D115xH170xØ140mm±1mm	3000	2100	20W	105	15°
133110 Rigan R31012/3500/20W/80/A15/EM1H	D115xH170xØ140mm±1mm	3500	2160	20W	108	15°
133111 Rigan R31012/4000/20W/80/A15/EM1H	D115xH170xØ140mm±1mm	4000	2200	20W	110	15°
133113 Rigan R31012/2700/20W/80/A30/EM1H	D115xH170xØ140mm±1mm	2700	2080	20W	104	30°
133114 Rigan R31012/3000/20W/80/A30/EM1H	D115xH170xØ140mm±1mm	3000	2100	20W	105	30°
133115 Rigan R31012/3500/20W/80/A30/EM1H	D115xH170xØ140mm±1mm	3500	2160	20W	108	30°
133116 Rigan R31012/4000/20W/80/A30/EM1H	D115xH170xØ140mm±1mm	4000	2200	20W	110	30°
133118 Rigan R31012/2700/20W/80/A45/EM1H	D115xH170xØ140mm±1mm	2700	2080	20W	104	45°
133119 Rigan R31012/3000/20W/80/A45/EM1H	D115xH170xØ140mm±1mm	3000	2100	20W	105	45°
133120 Rigan R31012/3500/20W/80/A45/EM1H	D115xH170xØ140mm±1mm	3500	2160	20W	108	45°
133121 Rigan R31012/4000/20W/80/A45/EM1H	D115xH170xØ140mm±1mm	4000	2200	20W	110	45°
133123 Rigan R31012/2700/20W/80/A60/EM1H	D115xH170xØ140mm±1mm	2700	2080	20W	104	60°
133124 Rigan R31012/3000/20W/80/A60/EM1H	D115xH170xØ140mm±1mm	3000	2100	20W	105	60°
133125 Rigan R31012/3500/20W/80/A60/EM1H	D115xH170xØ140mm±1mm	3500	2160	20W	108	60°
133126 Rigan R31012/4000/20W/80/A60/EM1H	D115xH170xØ140mm±1mm	4000	2200	20W	110	60°
133128 Rigan R31012/2700/27W/80/A15/EM1H	D115xH170xØ140mm±1mm	2700	2945	27W	110	15°
133129 Rigan R31012/3000/27W/80/A15/EM1H	D115xH170xØ140mm±1mm	3000	2970	27W	110	15°
133130 Rigan R31012/3500/27W/80/A15/EM1H	D115xH170xØ140mm±1mm	3500	3055	27W	114	15°
133131 Rigan R31012/4000/27W/80/A15/EM1H	D115xH170xØ140mm±1mm	4000	3135	27W	117	15°
133133 Rigan R31012/2700/27W/80/A30/EM1H	D115xH170xØ140mm±1mm	2700	2945	27W	110	30°
133134 Rigan R31012/3000/27W/80/A30/EM1H	D115xH170xØ140mm±1mm	3000	2970	27W	110	30°
133135 Rigan R31012/3500/27W/80/A30/EM1H	D115xH170xØ140mm±1mm	3500	3055	27W	114	30°
133136 Rigan R31012/4000/27W/80/A30/EM1H	D115xH170xØ140mm±1mm	4000	3135	27W	117	30°
133138 Rigan R31012/2700/27W/80/A45/EM1H	D115xH170xØ140mm±1mm	2700	2945	27W	110	45°
133139 Rigan R31012/3000/27W/80/A45/EM1H	D115xH170xØ140mm±1mm	3000	2970	27W	110	45°
133140 Rigan R31012/3500/27W/80/A45/EM1H	D115xH170xØ140mm±1mm	3500	3055	27W	114	45°
133141 Rigan R31012/4000/27W/80/A45/EM1H	D115xH170xØ140mm±1mm	4000	3135	27W	117	45°
133143 Rigan R31012/2700/27W/80/A60/EM1H	D115xH170xØ140mm±1mm	2700	2945	27W	110	60°
133144 Rigan R31012/3000/27W/80/A60/EM1H	D115xH170xØ140mm±1mm	3000	2970	27W	110	60°
133145 Rigan R31012/3500/27W/80/A60/EM1H	D115xH170xØ140mm±1mm	3500	3055	27W	114	60°
133146 Rigan R31012/4000/27W/80/A60/EM1H	D115xH170xØ140mm±1mm	4000	3135	27W	117	60°
133380 Rigan R31012/BVF/27W/80/A15/EM1H	D115xH170xØ140mm±1mm	BVF	2065	27W	77	15°
133381 Rigan R31012/FBS/27W/80/A15/EM1H	D115xH170xØ140mm±1mm	FBS	1635	27W	61	15°

SKU SPECIFICATIONS

Product Code	Dimensions (mm)	CCT (K)	Lumens (lm)	Power (W)	Eff. (lm/watt)	Lens Angle (°)
CRI 80						
133382 Rigan R31012/FZM/27W/80/A15/EM1H	D115xH170xØ140mm±1mm	FZM	1530	27W	57	15°
133383 Rigan R31012/FSM/27W/80/A15/EM1H	D115xH170xØ140mm±1mm	FSM	1530	27W	57	15°
133384 Rigan R31012/FSH/27W/80/A15/EM1H	D115xH170xØ140mm±1mm	FSH	2250	27W	84	15°
133385 Rigan R31012/BVF/27W/80/A30/EM1H	D115xH170xØ140mm±1mm	BVF	2065	27W	77	30°
133386 Rigan R31012/FBS/27W/80/A30/EM1H	D115xH170xØ140mm±1mm	FBS	1635	27W	61	30°
133387 Rigan R31012/FZM/27W/80/A30/EM1H	D115xH170xØ140mm±1mm	FZM	1530	27W	57	30°
133388 Rigan R31012/FSM/27W/80/A30/EM1H	D115xH170xØ140mm±1mm	FSM	1530	27W	57	30°
133389 Rigan R31012/FSH/27W/80/A30/EM1H	D115xH170xØ140mm±1mm	FSH	2250	27W	84	30°
133390 Rigan R31012/BVF/27W/80/A45/EM1H	D115xH170xØ140mm±1mm	BVF	2065	27W	77	45°
133391 Rigan R31012/FBS/27W/80/A45/EM1H	D115xH170xØ140mm±1mm	FBS	1635	27W	61	45°
133160 Rigan R31012/FZM/27W/80/A45/EM1H	D115xH170xØ140mm±1mm	FZM	1530	27W	57	45°
133161 Rigan R31012/FSM/27W/80/A45/EM1H	D115xH170xØ140mm±1mm	FSM	1530	27W	57	45°
133162 Rigan R31012/FSH/27W/80/A45/EM1H	D115xH170xØ140mm±1mm	FSH	2250	27W	84	45°
133163 Rigan R31012/BVF/27W/80/A60/EM1H	D115xH170xØ140mm±1mm	BVF	2065	27W	77	60°
133164 Rigan R31012/FBS/27W/80/A60/EM1H	D115xH170xØ140mm±1mm	FBS	1635	27W	61	60°
133165 Rigan R31012/FZM/27W/80/A60/EM1H	D115xH170xØ140mm±1mm	FZM	1530	27W	57	60°
133166 Rigan R31012/FSM/27W/80/A60/EM1H	D115xH170xØ140mm±1mm	FSM	1530	27W	57	60°
133167 Rigan R31012/FSH/27W/80/A60/EM1H	D115xH170xØ140mm±1mm	FSH	2250	27W	84	60°
133180 Rigan R31012/2700/14W/80/A15/EM3H	D115xH170xØ140mm±1mm	2700	1485	14W	107	15°
133181 Rigan R31012/3000/14W/80/A15/EM3H	D115xH170xØ140mm±1mm	3000	1500	14W	108	15°
133182 Rigan R31012/3500/14W/80/A15/EM3H	D115xH170xØ140mm±1mm	3500	1540	14W	110	15°
133183 Rigan R31012/4000/14W/80/A15/EM3H	D115xH170xØ140mm±1mm	4000	1570	14W	113	15°
133185 Rigan R31012/2700/14W/80/A30/EM3H	D115xH170xØ140mm±1mm	2700	1485	14W	107	30°
133186 Rigan R31012/3000/14W/80/A30/EM3H	D115xH170xØ140mm±1mm	3000	1500	14W	108	30°
133187 Rigan R31012/3500/14W/80/A30/EM3H	D115xH170xØ140mm±1mm	3500	1540	14W	110	30°
133188 Rigan R31012/4000/14W/80/A30/EM3H	D115xH170xØ140mm±1mm	4000	1570	14W	113	30°
133190 Rigan R31012/2700/14W/80/A45/EM3H	D115xH170xØ140mm±1mm	2700	1485	14W	107	45°
133191 Rigan R31012/3000/14W/80/A45/EM3H	D115xH170xØ140mm±1mm	3000	1500	14W	108	45°
133192 Rigan R31012/3500/14W/80/A45/EM3H	D115xH170xØ140mm±1mm	3500	1540	14W	110	45°
133193 Rigan R31012/4000/14W/80/A45/EM3H	D115xH170xØ140mm±1mm	4000	1570	14W	113	45°
133195 Rigan R31012/2700/14W/80/A60/EM3H	D115xH170xØ140mm±1mm	2700	1485	14W	107	60°
133196 Rigan R31012/3000/14W/80/A60/EM3H	D115xH170xØ140mm±1mm	3000	1500	14W	108	60°
133197 Rigan R31012/3500/14W/80/A60/EM3H	D115xH170xØ140mm±1mm	3500	1540	14W	110	60°
133198 Rigan R31012/4000/14W/80/A60/EM3H	D115xH170xØ140mm±1mm	4000	1570	14W	113	60°
133200 Rigan R31012/2700/20W/80/A15/EM3H	D115xH170xØ140mm±1mm	2700	2080	20W	104	15°
133201 Rigan R31012/3000/20W/80/A15/EM3H	D115xH170xØ140mm±1mm	3000	2100	20W	105	15°
133202 Rigan R31012/3500/20W/80/A15/EM3H	D115xH170xØ140mm±1mm	3500	2160	20W	108	15°
133203 Rigan R31012/4000/20W/80/A15/EM3H	D115xH170xØ140mm±1mm	4000	2200	20W	110	15°
133205 Rigan R31012/2700/20W/80/A30/EM3H	D115xH170xØ140mm±1mm	2700	2080	20W	104	30°
133206 Rigan R31012/3000/20W/80/A30/EM3H	D115xH170xØ140mm±1mm	3000	2100	20W	105	30°
133207 Rigan R31012/3500/20W/80/A30/EM3H	D115xH170xØ140mm±1mm	3500	2160	20W	108	30°
133208 Rigan R31012/4000/20W/80/A30/EM3H	D115xH170xØ140mm±1mm	4000	2200	20W	110	30°
133210 Rigan R31012/2700/20W/80/A45/EM3H	D115xH170xØ140mm±1mm	2700	2080	20W	104	45°
133211 Rigan R31012/3000/20W/80/A45/EM3H	D115xH170xØ140mm±1mm	3000	2100	20W	105	45°
133212 Rigan R31012/3500/20W/80/A45/EM3H	D115xH170xØ140mm±1mm	3500	2160	20W	108	45°
133213 Rigan R31012/4000/20W/80/A45/EM3H	D115xH170xØ140mm±1mm	4000	2200	20W	110	45°
133215 Rigan R31012/2700/20W/80/A60/EM3H	D115xH170xØ140mm±1mm	2700	2080	20W	104	60°
133216 Rigan R31012/3000/20W/80/A60/EM3H	D115xH170xØ140mm±1mm	3000	2100	20W	105	60°
133217 Rigan R31012/3500/20W/80/A60/EM3H	D115xH170xØ140mm±1mm	3500	2160	20W	108	60°
133218 Rigan R31012/4000/20W/80/A60/EM3H	D115xH170xØ140mm±1mm	4000	2200	20W	110	60°

SKU SPECIFICATIONS

Product Code	Dimensions (mm)	CCT (K)	Lumens (lm)	Power (W)	Eff. (lm/watt)	Lens Angle (°)
CRI 80						
133220 Rigan R31012/2700/27W/80/A15/EM3H	D115xH170xØ140mm±1mm	2700	2945	27W	110	15°
133221 Rigan R31012/3000/27W/80/A15/EM3H	D115xH170xØ140mm±1mm	3000	2970	27W	110	15°
133222 Rigan R31012/3500/27W/80/A15/EM3H	D115xH170xØ140mm±1mm	3500	3055	27W	114	15°
133223 Rigan R31012/4000/27W/80/A15/EM3H	D115xH170xØ140mm±1mm	4000	3135	27W	117	15°
133225 Rigan R31012/2700/27W/80/A30/EM3H	D115xH170xØ140mm±1mm	2700	2945	27W	110	30°
133226 Rigan R31012/3000/27W/80/A30/EM3H	D115xH170xØ140mm±1mm	3000	2970	27W	110	30°
133227 Rigan R31012/3500/27W/80/A30/EM3H	D115xH170xØ140mm±1mm	3500	3055	27W	114	30°
133228 Rigan R31012/4000/27W/80/A30/EM3H	D115xH170xØ140mm±1mm	4000	3135	27W	117	30°
133230 Rigan R31012/2700/27W/80/A45/EM3H	D115xH170xØ140mm±1mm	2700	2945	27W	110	45°
133231 Rigan R31012/3000/27W/80/A45/EM3H	D115xH170xØ140mm±1mm	3000	2970	27W	110	45°
133232 Rigan R31012/3500/27W/80/A45/EM3H	D115xH170xØ140mm±1mm	3500	3055	27W	114	45°
133233 Rigan R31012/4000/27W/80/A45/EM3H	D115xH170xØ140mm±1mm	4000	3135	27W	117	45°
133235 Rigan R31012/2700/27W/80/A60/EM3H	D115xH170xØ140mm±1mm	2700	2945	27W	110	60°
133236 Rigan R31012/3000/27W/80/A60/EM3H	D115xH170xØ140mm±1mm	3000	2970	27W	110	60°
133237 Rigan R31012/3500/27W/80/A60/EM3H	D115xH170xØ140mm±1mm	3500	3055	27W	114	60°
133238 Rigan R31012/4000/27W/80/A60/EM3H	D115xH170xØ140mm±1mm	4000	3135	27W	117	60°
133240 Rigan R31012/BVF/27W/80/A15/EM3H	D115xH170xØ140mm±1mm	BVF	2065	27W	77	15°
133241 Rigan R31012/FBS/27W/80/A15/EM3H	D115xH170xØ140mm±1mm	FBS	1635	27W	61	15°
133242 Rigan R31012/FZM/27W/80/A15/EM3H	D115xH170xØ140mm±1mm	FZM	1530	27W	57	15°
133243 Rigan R31012/FSM/27W/80/A15/EM3H	D115xH170xØ140mm±1mm	FSM	1530	27W	57	15°
133244 Rigan R31012/FSH/27W/80/A15/EM3H	D115xH170xØ140mm±1mm	FSH	2250	27W	84	15°
133245 Rigan R31012/BVF/27W/80/A30/EM3H	D115xH170xØ140mm±1mm	BVF	2065	27W	77	30°
133246 Rigan R31012/FBS/27W/80/A30/EM3H	D115xH170xØ140mm±1mm	FBS	1635	27W	61	30°
133247 Rigan R31012/FZM/27W/80/A30/EM3H	D115xH170xØ140mm±1mm	FZM	1530	27W	57	30°
133248 Rigan R31012/FSM/27W/80/A30/EM3H	D115xH170xØ140mm±1mm	FSM	1530	27W	57	30°
133249 Rigan R31012/FSH/27W/80/A30/EM3H	D115xH170xØ140mm±1mm	FSH	2250	27W	84	30°
133250 Rigan R31012/BVF/27W/80/A45/EM3H	D115xH170xØ140mm±1mm	BVF	2065	27W	77	45°
133251 Rigan R31012/FBS/27W/80/A45/EM3H	D115xH170xØ140mm±1mm	FBS	1635	27W	61	45°
133252 Rigan R31012/FZM/27W/80/A45/EM3H	D115xH170xØ140mm±1mm	FZM	1530	27W	57	45°
133253 Rigan R31012/FSM/27W/80/A45/EM3H	D115xH170xØ140mm±1mm	FSM	1530	27W	57	45°
133254 Rigan R31012/FSH/27W/80/A45/EM3H	D115xH170xØ140mm±1mm	FSH	2250	27W	84	45°
133255 Rigan R31012/BVF/27W/80/A60/EM3H	D115xH170xØ140mm±1mm	BVF	2065	27W	77	60°
133256 Rigan R31012/FBS/27W/80/A60/EM3H	D115xH170xØ140mm±1mm	FBS	1635	27W	61	60°
133257 Rigan R31012/FZM/27W/80/A60/EM3H	D115xH170xØ140mm±1mm	FZM	1530	27W	57	60°
133258 Rigan R31012/FSM/27W/80/A60/EM3H	D115xH170xØ140mm±1mm	FSM	1530	27W	57	60°
133259 Rigan R31012/FSH/27W/80/A60/EM3H	D115xH170xØ140mm±1mm	FSH	2250	27W	84	60°

CRI 93						
133308 Rigan R31012/AGI3000/12W/93/A15/EM1H	D115xH170xØ140mm±1mm	AGI3000	735	12W	62	15°
133309 Rigan R31012/AGI3500/12W/93/A15/EM1H	D115xH170xØ140mm±1mm	AGI3500	780	12W	65	15°
133310 Rigan R31012/AGI4000/12W/93/A15/EM1H	D115xH170xØ140mm±1mm	AGI4000	830	12W	70	15°
133311 Rigan R31012/AGI3000/12W/93/A30/EM1H	D115xH170xØ140mm±1mm	AGI3000	735	12W	62	30°
133312 Rigan R31012/AGI3500/12W/93/A30/EM1H	D115xH170xØ140mm±1mm	AGI3500	780	12W	65	30°
133313 Rigan R31012/AGI4000/12W/93/A30/EM1H	D115xH170xØ140mm±1mm	AGI4000	830	12W	70	30°
133314 Rigan R31012/AGI3000/12W/93/A45/EM1H	D115xH170xØ140mm±1mm	AGI3000	735	12W	62	45°
133315 Rigan R31012/AGI3500/12W/93/A45/EM1H	D115xH170xØ140mm±1mm	AGI3500	780	12W	65	45°
133316 Rigan R31012/AGI4000/12W/93/A45/EM1H	D115xH170xØ140mm±1mm	AGI4000	830	12W	70	45°
133317 Rigan R31012/AGI3000/12W/93/A60/EM1H	D115xH170xØ140mm±1mm	AGI3000	735	12W	62	60°
133318 Rigan R31012/AGI3500/12W/93/A60/EM1H	D115xH170xØ140mm±1mm	AGI3500	780	12W	65	60°
133319 Rigan R31012/AGI4000/12W/93/A60/EM1H	D115xH170xØ140mm±1mm	AGI4000	830	12W	70	60°

SKU SPECIFICATIONS

Product Code	Dimensions (mm)	CCT (K)	Lumens (lm)	Power (W)	Eff. (lm/watt)	Lens Angle (°)
CRI 93						
133320 Rigan R31012/AGI3000/17W/93/A15/EM1H	D115xH170xØ140mm±1mm	AGI3000	985	17W	58	15°
133321 Rigan R31012/AGI3500/17W/93/A15/EM1H	D115xH170xØ140mm±1mm	AGI3500	1050	17W	62	15°
133322 Rigan R31012/AGI4000/17W/93/A15/EM1H	D115xH170xØ140mm±1mm	AGI4000	1115	17W	66	15°
133323 Rigan R31012/AGI3000/17W/93/A30/EM1H	D115xH170xØ140mm±1mm	AGI3000	985	17W	58	30°
133324 Rigan R31012/AGI3500/17W/93/A30/EM1H	D115xH170xØ140mm±1mm	AGI3500	1050	17W	62	30°
133325 Rigan R31012/AGI4000/17W/93/A30/EM1H	D115xH170xØ140mm±1mm	AGI4000	1115	17W	66	30°
133326 Rigan R31012/AGI3000/17W/93/A45/EM1H	D115xH170xØ140mm±1mm	AGI3000	985	17W	58	45°
133327 Rigan R31012/AGI3500/17W/93/A45/EM1H	D115xH170xØ140mm±1mm	AGI3500	1050	17W	62	45°
133328 Rigan R31012/AGI4000/17W/93/A45/EM1H	D115xH170xØ140mm±1mm	AGI4000	1115	17W	66	45°
133329 Rigan R31012/AGI3000/17W/93/A60/EM1H	D115xH170xØ140mm±1mm	AGI3000	985	17W	58	60°
133330 Rigan R31012/AGI3500/17W/93/A60/EM1H	D115xH170xØ140mm±1mm	AGI3500	1050	17W	62	60°
133331 Rigan R31012/AGI4000/17W/93/A60/EM1H	D115xH170xØ140mm±1mm	AGI4000	1115	17W	66	60°
133332 Rigan R31012/AGI3000/23W/93/A15/EM1H	D115xH170xØ140mm±1mm	AGI3000	1330	23W	58	15°
133333 Rigan R31012/AGI3500/23W/93/A15/EM1H	D115xH170xØ140mm±1mm	AGI3500	1440	23W	63	15°
133334 Rigan R31012/AGI4000/23W/93/A15/EM1H	D115xH170xØ140mm±1mm	AGI4000	1550	23W	68	15°
133335 Rigan R31012/AGI3000/23W/93/A30/EM1H	D115xH170xØ140mm±1mm	AGI3000	1330	23W	58	30°
133336 Rigan R31012/AGI3500/23W/93/A30/EM1H	D115xH170xØ140mm±1mm	AGI3500	1440	23W	63	30°
133337 Rigan R31012/AGI4000/23W/93/A30/EM1H	D115xH170xØ140mm±1mm	AGI4000	1550	23W	68	30°
133338 Rigan R31012/AGI3000/23W/93/A45/EM1H	D115xH170xØ140mm±1mm	AGI3000	1330	23W	58	45°
133339 Rigan R31012/AGI3500/23W/93/A45/EM1H	D115xH170xØ140mm±1mm	AGI3500	1440	23W	63	45°
133340 Rigan R31012/AGI4000/23W/93/A45/EM1H	D115xH170xØ140mm±1mm	AGI4000	1550	23W	68	45°
133341 Rigan R31012/AGI3000/23W/93/A60/EM1H	D115xH170xØ140mm±1mm	AGI3000	1330	23W	58	60°
133342 Rigan R31012/AGI3500/23W/93/A60/EM1H	D115xH170xØ140mm±1mm	AGI3500	1440	23W	63	60°
133343 Rigan R31012/AGI4000/23W/93/A60/EM1H	D115xH170xØ140mm±1mm	AGI4000	1550	23W	68	60°
133344 Rigan R31012/AGI3000/12W/93/A15/EM3H	D115xH170xØ140mm±1mm	AGI3000	735	12W	62	15°
133345 Rigan R31012/AGI3500/12W/93/A15/EM3H	D115xH170xØ140mm±1mm	AGI3500	780	12W	65	15°
133346 Rigan R31012/AGI4000/12W/93/A15/EM3H	D115xH170xØ140mm±1mm	AGI4000	830	12W	70	15°
133347 Rigan R31012/AGI3000/12W/93/A30/EM3H	D115xH170xØ140mm±1mm	AGI3000	735	12W	62	30°
133348 Rigan R31012/AGI3500/12W/93/A30/EM3H	D115xH170xØ140mm±1mm	AGI3500	780	12W	65	30°
133349 Rigan R31012/AGI4000/12W/93/A30/EM3H	D115xH170xØ140mm±1mm	AGI4000	830	12W	70	30°
133350 Rigan R31012/AGI3000/12W/93/A45/EM3H	D115xH170xØ140mm±1mm	AGI3000	735	12W	62	45°
133351 Rigan R31012/AGI3500/12W/93/A45/EM3H	D115xH170xØ140mm±1mm	AGI3500	780	12W	65	45°
133352 Rigan R31012/AGI4000/12W/93/A45/EM3H	D115xH170xØ140mm±1mm	AGI4000	830	12W	70	45°
133353 Rigan R31012/AGI3000/12W/93/A60/EM3H	D115xH170xØ140mm±1mm	AGI3000	735	12W	62	60°
133354 Rigan R31012/AGI3500/12W/93/A60/EM3H	D115xH170xØ140mm±1mm	AGI3500	780	12W	65	60°
133355 Rigan R31012/AGI4000/12W/93/A60/EM3H	D115xH170xØ140mm±1mm	AGI4000	830	12W	70	60°
133356 Rigan R31012/AGI3000/17W/93/A15/EM3H	D115xH170xØ140mm±1mm	AGI3000	985	17W	58	15°
133357 Rigan R31012/AGI3500/17W/93/A15/EM3H	D115xH170xØ140mm±1mm	AGI3500	1050	17W	62	15°
133358 Rigan R31012/AGI4000/17W/93/A15/EM3H	D115xH170xØ140mm±1mm	AGI4000	1115	17W	66	15°
133359 Rigan R31012/AGI3000/17W/93/A30/EM3H	D115xH170xØ140mm±1mm	AGI3000	985	17W	58	30°
133360 Rigan R31012/AGI3500/17W/93/A30/EM3H	D115xH170xØ140mm±1mm	AGI3500	1050	17W	62	30°
133361 Rigan R31012/AGI4000/17W/93/A30/EM3H	D115xH170xØ140mm±1mm	AGI4000	1115	17W	66	30°
133362 Rigan R31012/AGI3000/17W/93/A45/EM3H	D115xH170xØ140mm±1mm	AGI3000	985	17W	58	45°
133363 Rigan R31012/AGI3500/17W/93/A45/EM3H	D115xH170xØ140mm±1mm	AGI3500	1050	17W	62	45°
133364 Rigan R31012/AGI4000/17W/93/A45/EM3H	D115xH170xØ140mm±1mm	AGI4000	1115	17W	66	45°
133365 Rigan R31012/AGI3000/17W/93/A60/EM3H	D115xH170xØ140mm±1mm	AGI3000	985	17W	58	60°
133366 Rigan R31012/AGI3500/17W/93/A60/EM3H	D115xH170xØ140mm±1mm	AGI3500	1050	17W	62	60°
133367 Rigan R31012/AGI4000/17W/93/A60/EM3H	D115xH170xØ140mm±1mm	AGI4000	1115	17W	66	60°
133368 Rigan R31012/AGI3000/23W/93/A15/EM3H	D115xH170xØ140mm±1mm	AGI3000	1330	23W	58	15°
133369 Rigan R31012/AGI3500/23W/93/A15/EM3H	D115xH170xØ140mm±1mm	AGI3500	1440	23W	63	15°

SKU SPECIFICATIONS

Product Code	Dimensions (mm)	CCT (K)	Lumens (lm)	Power (W)	Eff. (lm/watt)	Lens Angle (°)
CRI 93						
133370 Rigan R31012/AGI4000/23W/93/A15/EM3H	D115xH170xØ140mm±1mm	AGI4000	1550	23W	68	15°
133371 Rigan R31012/AGI3000/23W/93/A30/EM3H	D115xH170xØ140mm±1mm	AGI3000	1330	23W	58	30°
133372 Rigan R31012/AGI3500/23W/93/A30/EM3H	D115xH170xØ140mm±1mm	AGI3500	1440	23W	63	30°
133373 Rigan R31012/AGI4000/23W/93/A30/EM3H	D115xH170xØ140mm±1mm	AGI4000	1550	23W	68	30°
133374 Rigan R31012/AGI3000/23W/93/A45/EM3H	D115xH170xØ140mm±1mm	AGI3000	1330	23W	58	45°
133375 Rigan R31012/AGI3500/23W/93/A45/EM3H	D115xH170xØ140mm±1mm	AGI3500	1440	23W	63	45°
133376 Rigan R31012/AGI4000/23W/93/A45/EM3H	D115xH170xØ140mm±1mm	AGI4000	1550	23W	68	45°
133377 Rigan R31012/AGI3000/23W/93/A60/EM3H	D115xH170xØ140mm±1mm	AGI3000	1330	23W	58	60°
133378 Rigan R31012/AGI3500/23W/93/A60/EM3H	D115xH170xØ140mm±1mm	AGI3500	1440	23W	63	60°
133379 Rigan R31012/AGI4000/23W/93/A60/EM3H	D115xH170xØ140mm±1mm	AGI4000	1550	23W	68	60°
CRI 95						
133168 Rigan R31012/FAS/27W/95/A15/EM1H	D115xH170xØ140mm±1mm	FAS	2080	27W	78	15°
133169 Rigan R31012/FAS/27W/95/A30/EM1H	D115xH170xØ140mm±1mm	FAS	2080	27W	78	30°
133170 Rigan R31012/FAS/27W/95/A45/EM1H	D115xH170xØ140mm±1mm	FAS	2080	27W	78	45°
133171 Rigan R31012/FAS/27W/95/A60/EM1H	D115xH170xØ140mm±1mm	FAS	2080	27W	78	60°
133260 Rigan R31012/FAS/27W/95/A15/EM3H	D115xH170xØ140mm±1mm	FAS	2080	27W	78	15°
133261 Rigan R31012/FAS/27W/95/A30/EM3H	D115xH170xØ140mm±1mm	FAS	2080	27W	78	30°
133262 Rigan R31012/FAS/27W/95/A45/EM3H	D115xH170xØ140mm±1mm	FAS	2080	27W	78	45°
133263 Rigan R31012/FAS/27W/95/A60/EM3H	D115xH170xØ140mm±1mm	FAS	2080	27W	78	60°
CRI 98						
133176 Rigan R31012/ART3000/27W/98/A15/EM1H	D115xH170xØ140mm±1mm	ART3000	1995	27W	74	15°
133177 Rigan R31012/ART3000/27W/98/A30/EM1H	D115xH170xØ140mm±1mm	ART3000	1995	27W	74	30°
133178 Rigan R31012/ART3000/27W/98/A45/EM1H	D115xH170xØ140mm±1mm	ART3000	1995	27W	74	45°
133179 Rigan R31012/ART3000/27W/98/A60/EM1H	D115xH170xØ140mm±1mm	ART3000	1995	27W	74	60°
133268 Rigan R31012/ART3000/27W/98/A15/EM3H	D115xH170xØ140mm±1mm	ART3000	1995	27W	74	15°
133269 Rigan R31012/ART3000/27W/98/A30/EM3H	D115xH170xØ140mm±1mm	ART3000	1995	27W	74	30°
133270 Rigan R31012/ART3000/27W/98/A45/EM3H	D115xH170xØ140mm±1mm	ART3000	1995	27W	74	45°
133271 Rigan R31012/ART3000/27W/98/A60/EM3H	D115xH170xØ140mm±1mm	ART3000	1995	27W	74	60°

Technical specifications can be modified without prior notice. All information is property of Greentek Lighting.

The presentation picture is for information purposes only. Latest document update: November 14, 2019 3:30 PM. www.greentek.eu