



Loop

RECESSED SPOTLIGHTS | DALI SERIES

Loop is our adjustable spotlight with a concentrated beam that creates a bright light effect. The spotlight is highly flexible: rotates through 350° and pivots through 50°. The directional beam is perfect for retail shops and commercial spaces, art and exhibition galleries and showrooms.

The modern touch is given by the aluminum housing and two color options: RAL 9003 - signal white and RAL 9005 - jet black.

Loop has several series, determined by various add-on and controls:

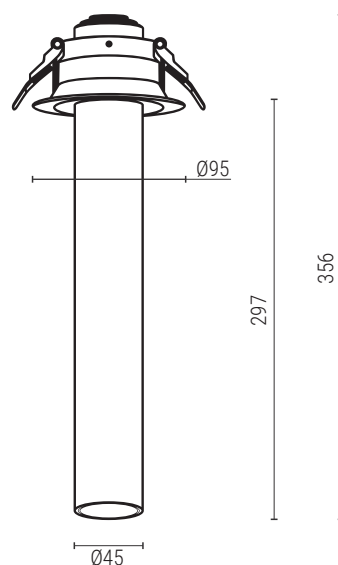
- Loop Non-DALI: the standard for any project in the retail sector
- Loop DALI: with DALI controls for illumination adjustment

APPLICATION

Grocery & Supermarket | Retail | Art & Exhibition

FEATURES & BENEFITS

- CRI > 80 as standard, up to 93 for certain special colors
- 6 color temperatures, including specialized options for ambiance and AGI light
- Long rated life: L90/B10@50.000h
- Luminaire efficiency: 75lm/w @3000K
- Dimmable



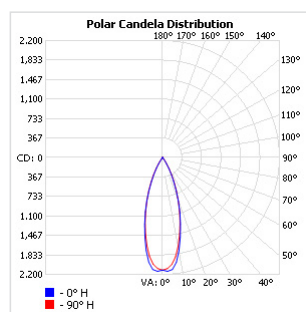
SPECIFICATIONS

Power consumption	12W
Dimensions	Ø45x297±1mm
Weight	0.8 Kg
Housing materials	Aluminium, Glass
IK code	IK02
THD (at 230V, 50Hz, Full load)	<8%
Protection class	Safety class 1
Operating temperature [°C]	-20°C ... +45°C / -4F ... +113F
Operating humidity [%]	10 ÷ 85
Power factor	≥0.95
AC Input [Vac]	220 - 240 VAC
Lens angle [°]	36°
Lifespan [h]	50,000
Housing color	○ RAL 9003 - signal white, ● RAL 9005 - jet black
Lumen maintenance	L90/B10@50.000h at 25°C
IP factor	IP20
Control optional	DALI
Warranty [years]	5
Storage temperature range [°C]	-20°C ... +55°C / -4F ... +131F
Emergency option	-

Light application	Standard	AMB	AGI
CRI	CRI 80	CRI 80	CRI 93
CCT [K]	3000K/4000K	2200K	AGI3000/AGI3500/AGI4000
MacAdam	3	3	3

CRI - Color rendering, CCT - Color temperature, MacAdam - Color consistency

LIGHT DISTRIBUTION



A36

TOLERANCES

Luminous flux tolerances: -/+ 5%

Consumption tolerance: -/+ 5% for Non-DALI | -/+ 10% for Non-DALI & KIT EM | -/+ 10% for DALI | -/+ 15% for DALI & KIT EM

BATTERY WARRANTY

Non-DALI EM & DALI EM: 12 months warranty

Non-DALI & DALI: -

MAXIMUM NO. OF LUMINAIRES ON A CIRCUIT

Luminaire Power(W)	Control type	Circuit Breaker Type					
		B			C		
		20	16	10	20	16	10
8-20W	Non-DALI	62	50	31	104	85	52
23-35W	Non-DALI	24	20	10	47	40	20
42W	Non-DALI	20	16	8	38	32	16
8-20W	DALI	62	50	31	104	85	52
23-27W	DALI	25	21	13	50	42	26
34-42W	DALI	17	14	9	34	28	18

RISK GROUP

Standard (CRI80)	RG1
FOOD (BVF, FBS, FSM)	RG1
FOOD ≤35W (FZM, FSH)	RG1
FOOD >35W (FZM, FSH)	RG2
FAS	RG1
AMB2200	RG1
ART	RG1
AGI	RG1
CRI90	RG1
CRI95	RG1
ENT	RG1

RG1

The evaluation of photobiological safety is carried out according to the standard IEC 62471:2008 ("Photobiological safety of lamps and lamp systems"). Following the definition of the risk grouping system of the mentioned IEC standard, the LEDs mounted on this family fall into the class "Low Risk (RG1 – No photobiological hazard under normal behavioral limitations)". Under real circumstances (regarding exposure time, pupils, observation distance), it is assumed that there is no endangerment to the eye from these devices. As a matter of principle, however, it should be mentioned that intense light sources have a high secondary exposure potential due to their blinding effect.

RG2

The evaluation of photobiological safety is carried out according to the standard IEC 62471:2008 ("Photobiological safety of lamps and lamp systems"). Following the definition of the risk grouping system of the mentioned IEC standard, the LEDs mounted on this family fall into the class "Moderate Risk (RG2)". Under real circumstances (regarding exposure time, pupils, observation distance), it is assumed that there is no endangerment to the eye from these devices. As a matter of principle, however, it should be mentioned that intense light sources have a high secondary exposure potential due to their blinding effect.

SKU SPECIFICATIONS

Product Code	Dimensions (mm)	CCT (K)	Lumens (lm)	Power (W)	Eff. (lm/watt)	Lens Angle (°)
CRI 80						
2A3000 LoopS R34010/3000/12W/80/A36	Ø45x297±1mm	3000	855	12W	72	36°
2A3001 LoopS R34010/4000/12W/80/A36	Ø45x297±1mm	4000	890	12W	75	36°
2A3002 LoopS R34010/AMB2200/12W/80/A36	Ø45x297±1mm	AMB2200	785	12W	66	36°
CRI 93						
2A3003 LoopS R34010/AGI3000/12W/93/A36	Ø45x297±1mm	AGI3000	595	12W	50	36°
2A3004 LoopS R34010/AGI3500/12W/93/A36	Ø45x297±1mm	AGI3500	640	12W	54	36°
2A3005 LoopS R34010/AGI4000/12W/93/A36	Ø45x297±1mm	AGI4000	680	12W	57	36°