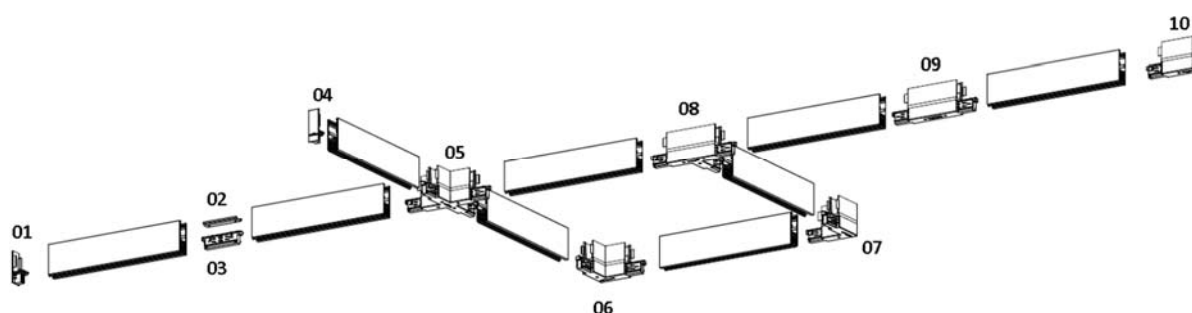


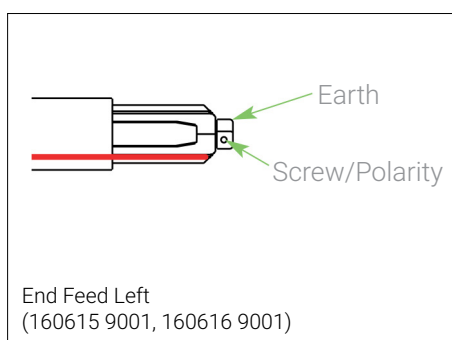
Installation Guide

All the operations must be done by specialized personnel only. Exclude voltage plant. Please respect national installation regulations. Greentek Lighting allows to use only Greentek Lighting parts in applications where TRK system is used. These parts must be installed according to the installation instructions. The company as a manufacturer is not responsible for the safety and functioning of the system if parts not belonging to it are used or if any deviation from the installation instructions occurs. It is then the user's responsibility to ensure the electrical, mechanical and thermal compatibility between the system and the fixtures used with it. The track, its components and also the adapters can't be used with accessories without the Quality Mark. On TRK track one can use only TRK connections. TRK connections can be used only with TRK tracks. Do not exceed listed loading indicated in the relevant section and respect fixing distances during the track mounting.

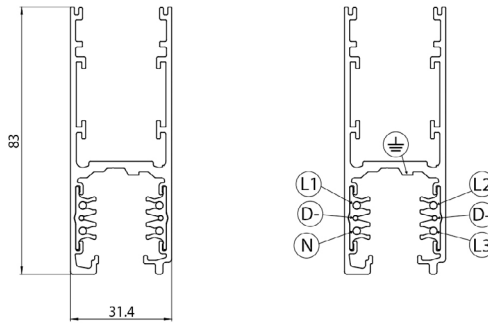


01. End Cap for Track (160545 9004, 160546 9004)
02. Additional Cover Strip for Track (160075 S-9000, 160076 S-9000)
03. Jointing Connector (160036 9003, 160037 9003)
Mechanical Jointing Connector (160039 9003, 160040 9003)
04. End Cap for Track (160545 9004, 160546 9004)
05. X-feed (160642 9017, 160643 9017)
- 06./07. Internal L-Feed (160624 9011, 160625 9011) /
External L-Feed (160627 9012, 160628 9012)
08. External T-Feed Left (160630 9013, 160631 9013)
External T-Feed Right (160633 9014, 160634 9014)
Internal T-Feed Left (160636 9015, 160637 9015)
Internal T-Feed Right (160639 9016, 160640 9016)
09. Middle Feed (160621 9010, 160622 9010)
10. End Feed Left (160615 9001, 160616 9001) /
End Feed Right (160618 9002, 160619 9002)

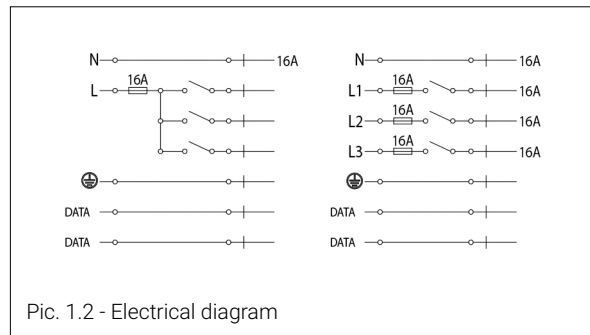
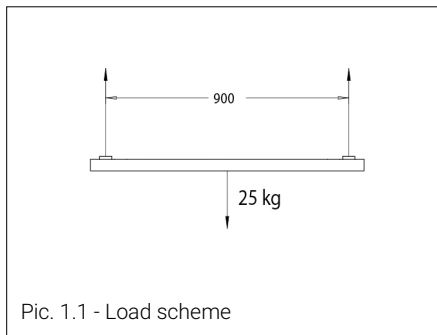
Also end-feeds and connection joints have a mechanical key (screw presence as per picture below) that must be taken into account in order to choose the right component. In the catalogue sketches of this articles the position of the key is highlighted with a red line.



1. Three-Phase Track + Control System



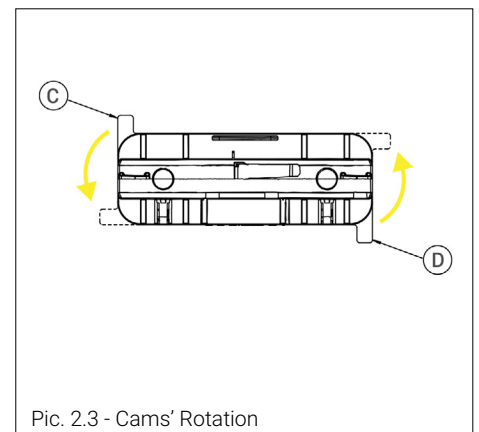
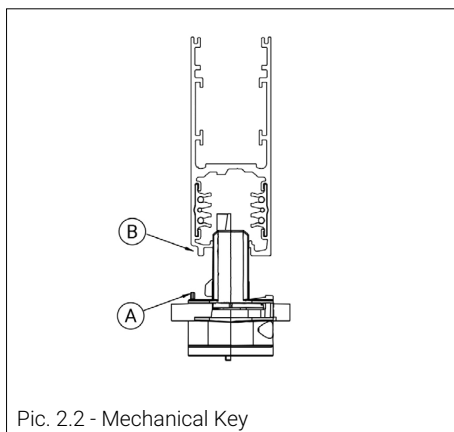
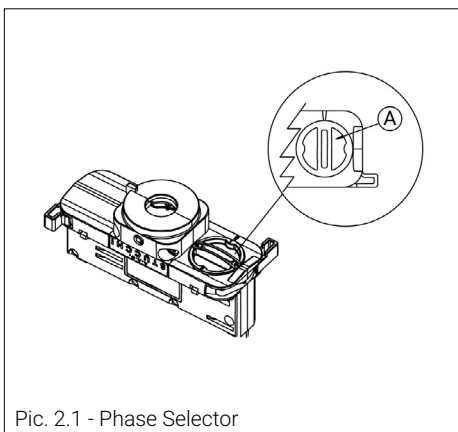
H Track System is a 3 phase mixed system with two additional conductors intended to manage a general data signal (for example dali, dmx, lon, eib, etc.). The system is in the process to be EN 60570 certified and its installation must be accomplished by highly qualified person without exceeding the maximum loads (see picture 1.1). The electrical connection will be made in accordance with the electrical diagram (see picture 1.2).



2. Phase Selection And Adapter Mounting Into The Track (symmetrical adapter)

When the track is connected to a three-phase system it is possible to select the phase (L1, L2 or L3) to distribute the single luminaires in the system, by means of the proper selector (A) of the adapter (see picture 2.1).

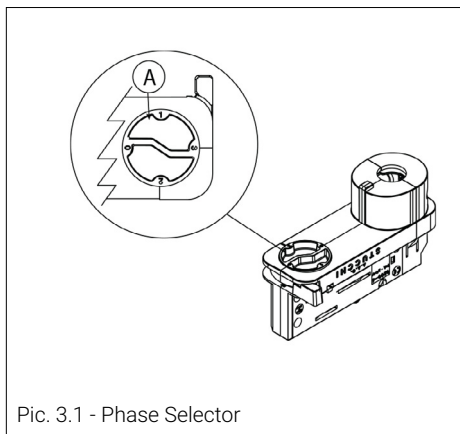
Insert the adapter into the track, so that the mechanical key (A) in the adapter matches the groove (B) in the track (see picture 2.2). Rotate of about 90° the levers of the two cams (C and D) until they reach the locking position (see picture 2.3).



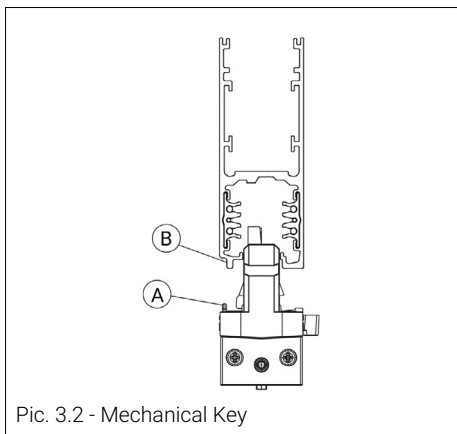
3. Phase Selection And Adapter Mounting Into The Track (asymmetrical adapter)

When the track is connected to a three-phase system it is possible to select the phase (L1, L2 or L3) to distribute the single luminaires in the system, by means of the proper selector (A) of the adapter (see picture 3.1).

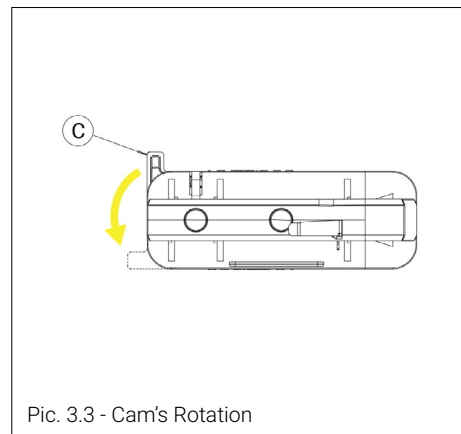
Insert the adapter into the track, so that the mechanical key (A) in the adapter matches the groove (B) in the track (see picture 3.2). Rotate of about 90° the lever of the cam (C) until it reaches the locking position (see picture 3.3).



Pic. 3.1 - Phase Selector



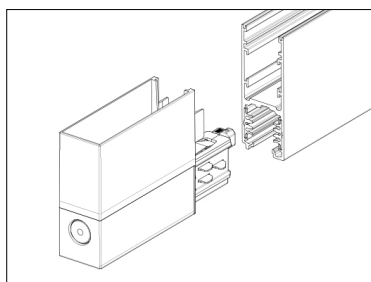
Pic. 3.2 - Mechanical Key



Pic. 3.3 - Cam's Rotation

4. End-Feed

In order to guarantee the correct wiring of the system the end-feed is provided with a mechanical key that ensures the correct insertion into the track. When installing, the mechanical key must be used correctly.

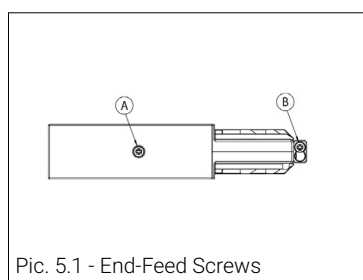


5. End-Feed Wiring

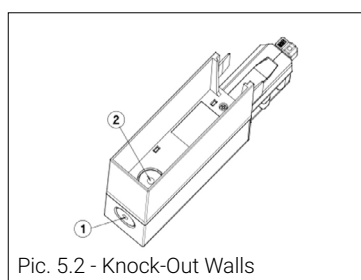
For the wiring of the end-feed use the following wire: 5 x 1.5-2.5 mm² or 7 x 1.5-2.5 mm². Remove the end-feed cover unscrewing the screw (see picture 5.1) so that contacts are visible. Knock-out the detachable wall 1 or 2 (see picture 5.2) and create a hole, then make the wire pass through it. When using the hole on wall 1 the screw cord grip on the end-feed itself must be used. When using the hole on wall 2 we recommend to use a plastic cord grip (not provided with the end-feed). Remove the protective covering from the wires for about 80 mm, then strip the wires for 10-11 mm.

After that proceed with wiring to the end-feed contacts respecting the marking on it (L1 / L2 / L3 / E / T / D+ / D-).

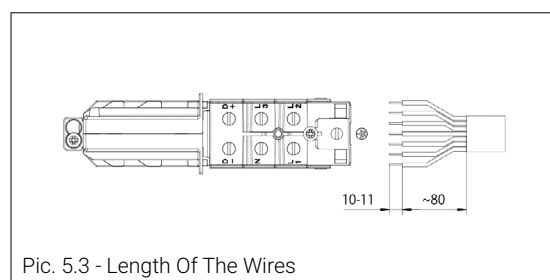
After wiring place the cover on the end-feed and tighten A screw. Finally insert the end-feed into the track and lock it through screw B (see picture 5.2).



Pic. 5.1 - End-Feed Screws



Pic. 5.2 - Knock-Out Walls

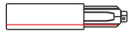


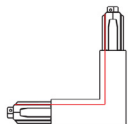
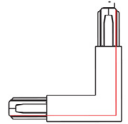
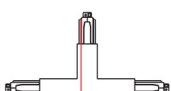
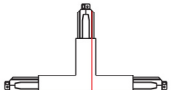
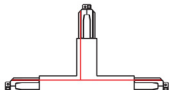
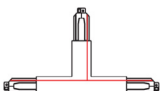
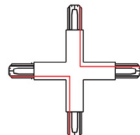


Pic. 5.3 - Length Of The Wires

6. Mechanical Keys

On TRK track you can use only TRK connections. TRK connections can be used only with TRK tracks.

Below you can see the connection joints with the mechanical key highlighted with a red line.

 <p>End Feed left 160615 9001/W-H/EndFeed/Left/White 160616 9001/B-H/EndFeed/Left/Black</p>	 <p>End Feed right 160618 9002/W-H/EndFeed/Right/White 160619 9002/B-H/EndFeed/Right/Black</p>	 <p>Middle Feed 160621 9010/W-H/Middle Feed/White 160622 9010/B-H/Middle Feed/Black</p>
 <p>Internal L-Feed 160624 9011/W-H/Internal L-feed/White 160625 9011/B-H/Internal L-feed/Black</p>	 <p>External L-Feed 160627 9012/W-H/External L-feed/White 160628 9012/B-H/External L-feed/Black</p>	 <p>External T-Feed left 160630 9013/W-H/External T-feed left/White 160631 9013/B-H/External T-feed left/Black</p>
 <p>External T-Feed right 160633 9014/W-H/External T-feed right/White 160634 9014/B-H/External T-feed right/Black</p>	 <p>Internal T-Feed left 160636 9015/W-H/Internal T-feed left/White 160637 9015/B-H/Internal T-feed left/Black</p>	 <p>Internal T-Feed right 160639 9016/W-H/Internal T-feed right/White 160640 9016/B-H/Internal T-feed right/Black</p>
 <p>X-Feed 160642 9017/W-H/X-feed/White 160643 9017/B-H/X-feed/Black</p>		

7. Suspension Kit

Wire Suspension (160548, 160549, 160550, 160551)

