



Zeno

RECESSED | NON - DALI SERIES

Zeno is a versatile luminaire, creates a mellow ambient, pleasant light, appropriate for office environments in particular.

Zeno has several series, determined by various add-on and controls:

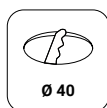
- Zeno Non-DALI: the standard for any project in the retail sector
- Linea DALI: with DALI controls for illumination adjustments

FEATURES & BENEFITS

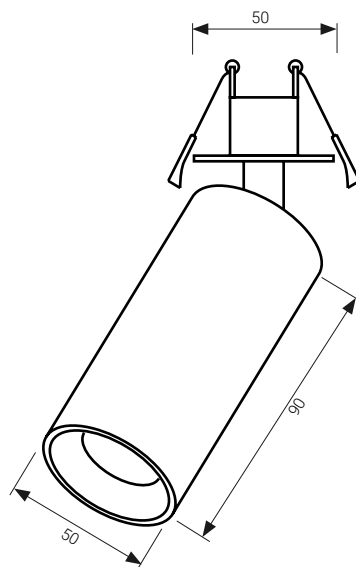
- CRI 90 as standard
- Color temperatures: 3000K and 4000K
- Angle: 15°, 24°, 36° and 50°

APPLICATION

Grocery & Supermarket | Retail | Art & Exhibition



Ø 40



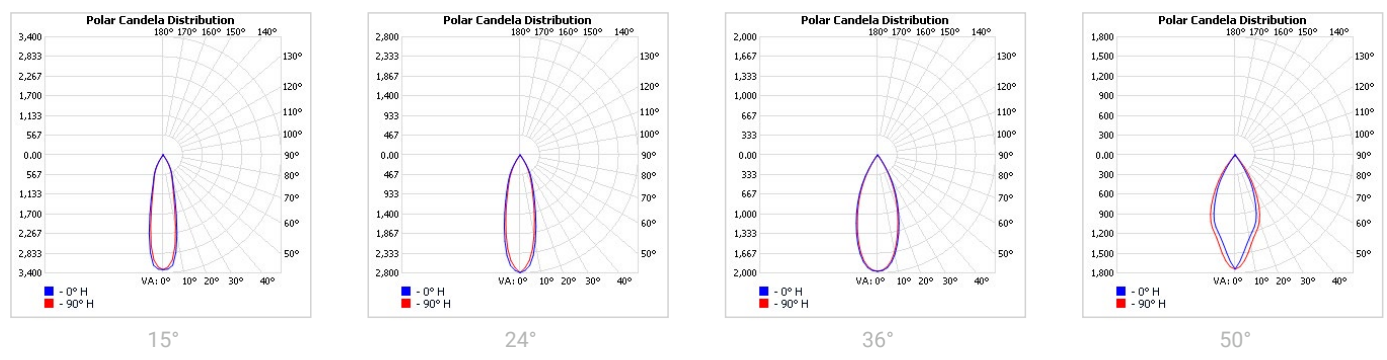
SPECIFICATIONS

Power consumption	12W
Dimensions	Ø50x90±1mm
Weight	0.355 Kg
Housing materials	Aluminium, glass
IK code	IK02
THD (at 230V, 50Hz, Full load)	≤ 60%
Protection class	Safety class 2
Operating temperature [°C]	-20°C ... +45°C / -4F ... +113F
Operating humidity [%]	10 ÷ 85
Power factor	0,83
AC Input [Vac]	220 - 240 VAC
Lens angle [°]	15°, 24°, 36°, 50°
Lifespan [h]	50.000
Housing color	○ White, ● Black, ● Grey
Lumen maintenance	L90/B10@50.000h at 25°C
IP factor (general)	IP20
Control optional	-
Warranty [years]	5
Storage temperature range [°C]	-20°C ... +45°C / -4F ... +113F
Emergency option	-

#	Standard
CRI	CRI 90
CCT [K]	3000K/4000K
MacAdam	3SDCM

CRI - Color rendering, CCT - Color temperature, MacAdam - Color consistency

LIGHT DISTRIBUTION



TOLERANCES**Luminous flux tolerances:** -/+ 5%**Consumption tolerance:** -/+ 5% for Non-DALI | -/+ 10% for Non-DALI & KIT EM | -/+ 10% for DALI | -/+ 15% for DALI & KIT EM**BATTERY WARRANTY****Non-DALI EM & DALI EM:** 12 months warranty**Non-DALI & DALI:** -**MAXIMUM NO. OF LUMINAIRES ON A CIRCUIT**

Luminaire Power(W)	Control type	Circuit Breaker Type							
		B				C			
		20	16	13	10	20	16	13	10
12W	Non-DALI	-	27	-	-	-	-	-	-
12W	DALI	83	66	54	42	138	110	90	70

RISK GROUP**Standard (CRI80)** RG1**FOOD (BVF, FBS, FSM)** RG1**FOOD ≤35W (FZM, FSH)** RG1**FOOD >35W (FZM, FSH)** RG2**FAS** RG1**AMB2200** RG1**ART** RG1**AGI** RG1**CRI90** RG1@3000K**CRI90** RG2@4000K**CRI95** RG1**ENT** RG1**RG1**

The evaluation of photobiological safety is carried out according to the standard IEC 62471:2008 ("Photobiological safety of lamps and lamp systems"). Following the definition of the risk grouping system of the mentioned IEC standard, the LEDs mounted on this family fall into the class "Low Risk (RG1 – No photobiological hazard under normal behavioral limitations)". Under real circumstances (regarding exposure time, pupils, observation distance), it is assumed that there is no endangerment to the eye from these devices. As a matter of principle, however, it should be mentioned that intense light sources have a high secondary exposure potential due to their blinding effect.

RG2

The evaluation of photobiological safety is carried out according to the standard IEC 62471:2008 ("Photobiological safety of lamps and lamp systems"). Following the definition of the risk grouping system of the mentioned IEC standard, the LEDs mounted on this family fall into the class "Moderate Risk (RG2)". Under real circumstances (regarding exposure time, pupils, observation distance), it is assumed that there is no endangerment to the eye from these devices. As a matter of principle, however, it should be mentioned that intense light sources have a high secondary exposure potential due to their blinding effect.

SKU SPECIFICATIONS

Product Code	Dimensions (mm)	CCT (K)	Lumens (lm)	Power (W)	Eff. (lm/watt)	Lens Angle (°)
CRI 90						
1G9100 Zeno RE R3-1062/3000/12W/90/A15	ø50x90±1mm	3000K	855	12W	72	15°
1G9101 Zeno RE R3-1062/4000/12W/90/A15	ø50x90±1mm	4000K	970	12W	81	15°
1G9102 Zeno RE R3-1062/3000/12W/90/A24	ø50x90±1mm	3000K	855	12W	72	24°
1G9103 Zeno RE R3-1062/4000/12W/90/A24	ø50x90±1mm	4000K	970	12W	81	24°
1G9104 Zeno RE R3-1062/3000/12W/90/A36	ø50x90±1mm	3000K	855	12W	72	36°
1G9105 Zeno RE R3-1062/4000/12W/90/A36	ø50x90±1mm	4000K	970	12W	81	36°
1G9106 Zeno RE R3-1062/3000/12W/90/A50	ø50x90±1mm	3000K	855	12W	72	50°
1G9107 Zeno RE R3-1062/4000/12W/90/A50	ø50x90±1mm	4000K	970	12W	81	50°