



## Mezza

### SURFACE MOUNTED LUMINAIRES | NON-DALI SERIES

Mezza is a filiform, modern and stylish surface mounted luminaire, with impeccable finish.

The light line enable you to create the right light effect for a refined atmosphere.

This wall lamp will bring you soft light and create a friendly atmosphere as desired. The light segment can be rotated individually.

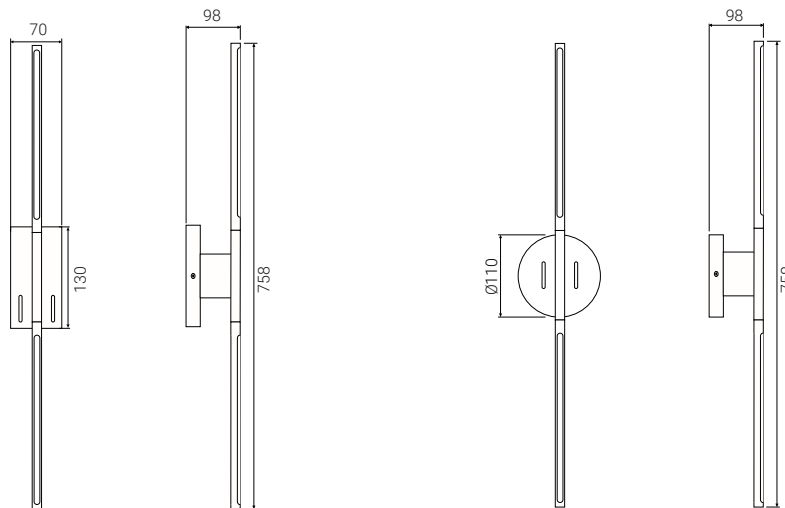
- Mezza Non-DALI – the standard for any project in the retail sector

### Features & Benefits

- CRI 80 as standard
- Color temperatures: 2700K, 3000K, 4000K, 6500K
- Long rated life: L70/B10@50.000h
- Luminaire efficiency: 53 lm/W
- The light-emitting body has the possibility to rotate

### Applications

High End Grocery & Supermarkets | Fashion Retailers | Hospitality | Art & Exhibitions



Rectangular Base

Round Base

## Specifications

Power consumption	2 x 6W ( linear )	
Dimensions (Base)	L130 x I70mm ± 1mm	Ø110mm ± 1mm
Dimensions (Lenght)	H758mm ± 1mm	H758mm ± 1mm
Housing materials	Aluminium, Acrylic	
IK code	IK03	
Protection class	Safety class 1	
Operating temperature [°C]	20C...+50C / 68F...+122F	
Operating humidity [%]	10 ÷ 90	
AC Input [Vac]	220 - 240 VAC	
Lens angle [°]	120° ( linear)	
Lifespan [h]	50.000	
Housing color	● Black	
Lumen maintenance	L70/B10@50.000h at 25°C	
IP factor	IP20	
Control optional	-	
Warranty [years]	5	
Storage temperature range [°C]	0C...+40C / 32F...+104F	

Light application#	Standard
CRI	CRI80
CCT [K]	2700 / 3000 / 4000 / 6500
MacAdam	3

CRI - Color rendering, CCT - Color temperature, MacAdam - Color consistency

## RISK GROUP

<b>Standard (CRI80)</b>	RG1	<b>RG1</b> The evaluation of photobiological safety is carried out according to the standard IEC 62471:2008 ("Photobiological safety of lamps and lamp systems"). Following the definition of the risk grouping system of the mentioned IEC standard, the LEDs mounted on this family fall into the class "Low Risk (RG1 – No photobiological hazard under normal behavioral limitations)". Under real circumstances (regarding exposure time, pupils, observation distance), it is assumed that there is no endangerment to the eye from these devices. As a matter of principle, however, it should be mentioned that intense light sources have a high secondary exposure potential due to their blinding effect.
<b>FOOD (BVF, FBS, FSM)</b>	RG1	
<b>FOOD ≤35W (FZM, FSH)</b>	RG1	
<b>FOOD &gt;35W (FZM, FSH)</b>	RG2	
<b>FAS</b>	RG1	
<b>AMB2200</b>	RG1	
<b>ART</b>	RG1	<b>RG2</b> The evaluation of photobiological safety is carried out according to the standard IEC 62471:2008 ("Photobiological safety of lamps and lamp systems"). Following the definition of the risk grouping system of the mentioned IEC standard, the LEDs mounted on this family fall into the class "Moderate Risk (RG2)". Under real circumstances (regarding exposure time, pupils, observation distance), it is assumed that there is no endangerment to the eye from these devices. As a matter of principle, however, it should be mentioned that intense light sources have a high secondary exposure potential due to their blinding effect.
<b>AGI</b>	RG1	
<b>CRI90</b>	RG1	
<b>CRI95</b>	RG1	
<b>ENT</b>	RG1	

## SKU SPECIFICATIONS

Product Code	Dimensions (mm)	CCT (K)	Lumens (lm)	Power (W)	Eff. (lm/watt)	Lens Angle (°)
<b>CRI 80</b>						
1G4012 Mezza 1824WC/2700/2x6W/80/2xA120	130 x 70 x 758mm ± 1mm	2700	640	2x6W	53	120°
1G4013 Mezza 1824WC/3000/2x6W/80/2xA120	130 x 70 x 758mm ± 1mm	3000	640	2x6W	53	120°
1G4014 Mezza 1824WC/4000/2x6W/80/2xA120	130 x 70 x 758mm ± 1mm	4000	640	2x6W	53	120°
1G4015 Mezza 1824WC/6500/2x6W/80/2xA120	130 x 70 x 758mm ± 1mm	6500	640	2x6W	53	120°
1G4054 Mezza 1828WC/2700/2x6W/80/2xA120	Ø110 x 758mm ± 1mm	2700	640	2x6W	53	120°
1G4055 Mezza 1828WC/3000/2x6W/80/2xA120	Ø110 x 758mm ± 1mm	3000	640	2x6W	53	120°
1G4056 Mezza 1828WC/4000/2x6W/80/2xA120	Ø110 x 758mm ± 1mm	4000	640	2x6W	53	120°
1G4057 Mezza 1828WC/6500/2x6W/80/2xA120	Ø110 x 758mm ± 1mm	6500	640	2x6W	53	120°