



Stiletto A

SURFACE MOUNTED | NON-DALI SERIES

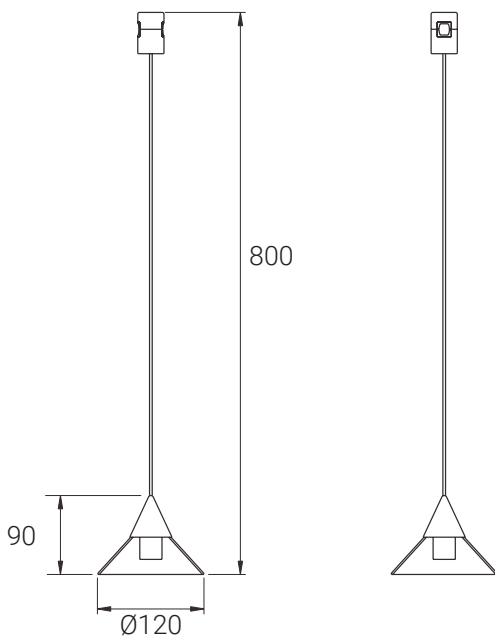
Step into a realm of refined illumination with Stiletto, a collection that combines the allure of golden aesthetics with the precision of LED technology.

FEATURES & BENEFITS

- CRI > 90 as standard
- Color temperatures: 3000K
- Beam angles: 120°
- Luminaire efficiency: 22lm/W @3000K
- Output power: 5W

APPLICATION

High End Grocery & Supermarkets | Fashion Retailers | Art & Exhibitions | DIY



SPECIFICATIONS

Mounting type	Magnetic track mounted luminaires
Power consumption	5W
Dimensions	Lcable 800 x Ø120 x H90 mm ± 1mm
Housing materials	Aluminium, Acrylic
IK code	IK00
Protection class	Safety class 1
Operating temperature [°C]	-20°C ... +40°C / -4F ... +104F
Operating humidity [%]	20 ÷ 90
AC Input [Vac]	220 - 240 VAC (Driver included)
Output [Vdc]	24 VDC
Lens angle [°]	120°
Lifespan [h]	50.000
Housing color	Brass, White ,Black
Lumen maintenance	L70/B30@50.000h at 25°C
IP factor	IP20
Control option	-
Warranty [years]	3
Storage temperature range [°C]	10°C ... +30°C / 50°F ... +86°F
Emergency option	

Light application	Standard
CRI	CRI90
CCT [K]	3000K

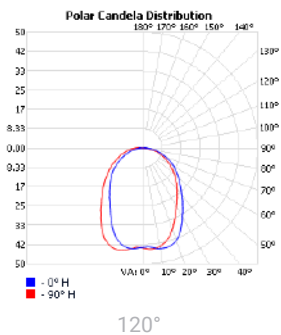
CRI - Color rendering, CCT - Color temperature

TOLERANCES

Luminous flux tolerances: -/+ 5%

Consumption tolerance: -/+ 5% for Non-DALI | -/+ 10% for Non-DALI & KIT EM | -/+ 10% for DALI | -/+ 15% for DALI & KIT EM

LIGHT DISTRIBUTION



SKU SPECIFICATIONS

Product Code	Dimensions (mm)	CCT (K)	Lumens (lm)	Power (W)	Eff. (lm/watt)	Lens Angle (°)
CRI 90						
1F9271 Stiletto A/3000/5W/90/A120/24V/Brass	Ø120 x H90 mm ± 1mm	3000	110	5W	22	120°
1F9272 Stiletto A/3000/5W/90/A120/24V/White	Ø120 x H90 mm ± 1mm	3000	110	5W	22	120°
1F9273 Stiletto A/3000/5W/90/A120/24V/Black	Ø120 x H90 mm ± 1mm	3000	110	5W	22	120°
1F9274 Stiletto A/4000/5W/90/A120/24V/Brass	Ø120 x H90 mm ± 1mm	4000	110	5W	22	120°
1F9275 Stiletto A/4000/5W/90/A120/24V/White	Ø120 x H90 mm ± 1mm	4000	110	5W	22	120°
1F9276 Stiletto A/4000/5W/90/A120/24V/Black	Ø120 x H90 mm ± 1mm	4000	110	5W	22	120°
1F9277 Stiletto A/6500/5W/90/A120/24V/Brass	Ø120 x H90 mm ± 1mm	6500	110	5W	22	120°
1F9278 Stiletto A/6500/5W/90/A120/24V/White	Ø120 x H90 mm ± 1mm	6500	110	5W	22	120°
1F9279 Stiletto A/6500/5W/90/A120/24V/Black	Ø120 x H90 mm ± 1mm	6500	110	5W	22	120°



Stiletto A - 2

SURFACE MOUNTED | NON-DALI SERIES

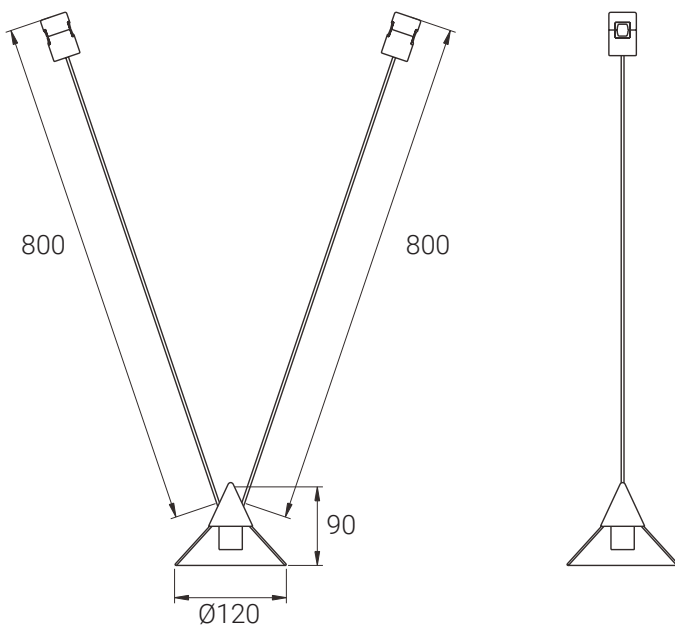
Step into a realm of refined illumination with Stiletto, a collection that combines the allure of golden aesthetics with the precision of LED technology.

FEATURES & BENEFITS

- CRI > 90 as standard
- Color temperatures: 3000K
- Beam angles: 120°
- Luminaire efficiency: 22lm/W @3000K
- Output power: 5W

APPLICATION

High End Grocery & Supermarkets | Fashion Retailers | Art & Exhibitions | DIY



SPECIFICATIONS

Mounting type	Magnetic track mounted luminaires
Power consumption	5W
Dimensions	Lcable 2x715 x Ø120 x H85 mm ± 1mm
Housing materials	Aluminium, Acrylic
IK code	IK00
Protection class	Safety class 1
Operating temperature [°C]	-20°C ... +40°C / -4F ... +104F
Operating humidity [%]	20 ÷ 90
AC Input [Vac]	220 - 240 VAC (Driver included)
Output [Vdc]	24 VDC
Lens angle [°]	120°
Lifespan [h]	50.000
Housing color	Brass, White ,Black
Lumen maintenance	L70/B30@50.000h at 25°C
IP factor	IP20
Control option	-
Warranty [years]	3
Storage temperature range [°C]	10°C ... +30°C / 50°F ... +86°F

Light application	Standard
CRI	CRI90
CCT [K]	3000K

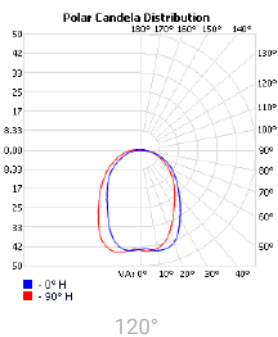
CRI - Color rendering, CCT - Color temperature

TOLERANCES

Luminous flux tolerances: -/+ 5%

Consumption tolerance: -/+ 5% for Non-DALI | -/+ 10% for Non-DALI & KIT EM | -/+ 10% for DALI | -/+ 15% for DALI & KIT EM

LIGHT DISTRIBUTION



SKU SPECIFICATIONS

Product Code	Dimensions (mm)	CCT (K)	Lumens (lm)	Power (W)	Eff. (lm/watt)	Lens Angle (°)
CRI 90						
1F9280 Stiletto A-2/3000/5W/90/A120/24V/Brass	Ø120 x H85 mm ± 1mm	3000	110	5W	22	120°
1F9281 Stiletto A-2/3000/5W/90/A120/24V/White	Ø120 x H85 mm ± 1mm	3000	110	5W	22	120°
1F9282 Stiletto A-2/3000/5W/90/A120/24V/Black	Ø120 x H85 mm ± 1mm	3000	110	5W	22	120°
1F9283 Stiletto A-2/4000/5W/90/A120/24V/Brass	Ø120 x H85 mm ± 1mm	4000	110	5W	22	120°
1F9284 Stiletto A-2/4000/5W/90/A120/24V/White	Ø120 x H85 mm ± 1mm	4000	110	5W	22	120°
1F9285 Stiletto A-2/4000/5W/90/A120/24V/Black	Ø120 x H85 mm ± 1mm	4000	110	5W	22	120°
1F9286 Stiletto A-2/6500/5W/90/A120/24V/Brass	Ø120 x H85 mm ± 1mm	6500	110	5W	22	120°
1F9287 Stiletto A-2/6500/5W/90/A120/24V/White	Ø120 x H85 mm ± 1mm	6500	110	5W	22	120°
1F9288 Stiletto A-2/6500/5W/90/A120/24V/Black	Ø120 x H85 mm ± 1mm	6500	110	5W	22	120°



Stiletto B

SURFACE MOUNTED | NON-DALI SERIES

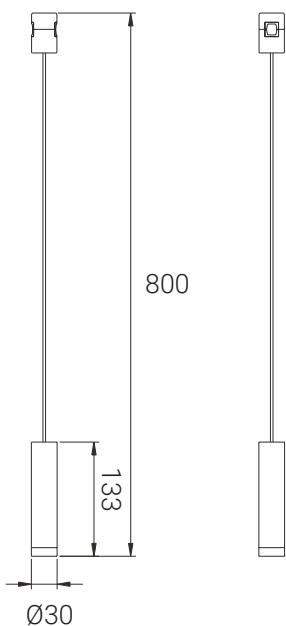
Step into a realm of refined illumination with Stiletto, a collection that combines the allure of golden aesthetics with the precision of LED technology.

FEATURES & BENEFITS

- CRI > 90 as standard
- Color temperatures: 3000K
- Beam angles: 120°
- Luminaire efficiency: 24lm/W @3000K
- Output power: 5W

APPLICATION

High End Grocery & Supermarkets | Fashion Retailers | Art & Exhibitions | DIY



SPECIFICATIONS

Mounting type	Magnetic track mounted luminaires
Power consumption	5W
Dimensions	Lcable 800 x Ø30 x H133 mm ± 1mm
Housing materials	Aluminium, Acrylic
IK code	IK00
Protection class	Safety class 1
Operating temperature [°C]	-20°C ... +40°C / -4F ... +104F
Operating humidity [%]	20 ÷ 90
AC Input [Vac]	220 - 240 VAC (Driver included)
Output [Vdc]	24 VDC
Lens angle [°]	120°
Lifespan [h]	50.000
Housing color	Brass, White ,Black
Lumen maintenance	L70/B30@50.000h at 25°C
IP factor	IP20
Control option	-
Warranty [years]	3
Storage temperature range [°C]	10°C ... +30°C / 50°F ... +86°F

Light application	Standard
CRI	CRI90
CCT [K]	3000K

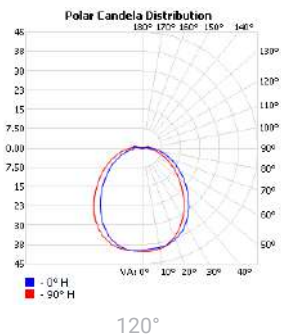
CRI - Color rendering, CCT - Color temperature

TOLERANCES

Luminous flux tolerances: -/+ 5%

Consumption tolerance: -/+ 5% for Non-DALI | -/+ 10% for Non-DALI & KIT EM | -/+ 10% for DALI | -/+ 15% for DALI & KIT EM

LIGHT DISTRIBUTION



SKU SPECIFICATIONS

Product Code	Dimensions (mm)	CCT (K)	Lumens (lm)	Power (W)	Eff. (lm/watt)	Lens Angle (°)
CRI 90						
1F9289 Stiletto B/3000/5W/90/A120/24V/Brass	Ø30 x H133 mm ± 1mm	3000	120	5W	24	120°
1F9290 Stiletto B/3000/5W/90/A120/24V/White	Ø30 x H133 mm ± 1mm	3000	120	5W	24	120°
1F9291 Stiletto B/3000/5W/90/A120/24V/Black	Ø30 x H133 mm ± 1mm	3000	120	5W	24	120°
1F9292 Stiletto B/4000/5W/90/A120/24V/Brass	Ø30 x H133 mm ± 1mm	4000	120	5W	24	120°
1F9293 Stiletto B/4000/5W/90/A120/24V/White	Ø30 x H133 mm ± 1mm	4000	120	5W	24	120°
1F9294 Stiletto B/4000/5W/90/A120/24V/Black	Ø30 x H133 mm ± 1mm	4000	120	5W	24	120°
1F9295 Stiletto B/6500/5W/90/A120/24V/Brass	Ø30 x H133 mm ± 1mm	6500	120	5W	24	120°
1F9296 Stiletto B/6500/5W/90/A120/24V/White	Ø30 x H133 mm ± 1mm	6500	120	5W	24	120°
1F9297 Stiletto B/6500/5W/90/A120/24V/Black	Ø30 x H133 mm ± 1mm	6500	120	5W	24	120°



Stiletto B - 2

SURFACE MOUNTED | NON-DALI SERIES

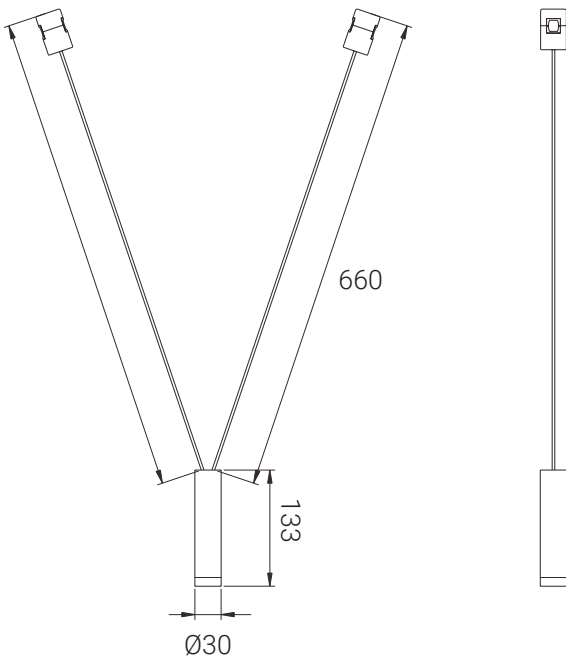
Step into a realm of refined illumination with Stiletto, a collection that combines the allure of golden aesthetics with the precision of LED technology.

FEATURES & BENEFITS

- CRI > 90 as standard
- Color temperatures: 3000K
- Beam angles: 120°
- Luminaire efficiency: 27lm/W @3000K
- Output power: 5W

APPLICATION

High End Grocery & Supermarkets | Fashion Retailers | Art & Exhibitions | DIY



SPECIFICATIONS

Mounting type	Magnetic track mounted luminaires
Power consumption	5W
Dimensions	Lcable 660 x Ø30 x H133 mm ± 1mm
Housing materials	Aluminium, Acrylic
IK code	IK00
Protection class	Safety class 1
Operating temperature [°C]	-20°C ... +40°C / -4F ... +104F
Operating humidity [%]	20 ÷ 90
AC Input [Vac]	220 - 240 VAC (Driver included)
Output [Vdc]	24 VDC
Lens angle [°]	120°
Lifespan [h]	50.000
Housing color	Brass, White ,Black
Lumen maintenance	L70/B30@50.000h at 25°C
IP factor	IP20
Control option	-
Warranty [years]	3
Storage temperature range [°C]	10°C ... +30°C / 50°F ... +86°F

Light application	Standard
CRI	CRI90
CCT [K]	3000K

CRI - Color rendering, CCT - Color temperature

TOLERANCES

Luminous flux tolerances: -/+ 5%

Consumption tolerance: -/+ 5% for Non-DALI | -/+ 10% for Non-DALI & KIT EM | -/+ 10% for DALI | -/+ 15% for DALI & KIT EM

LIGHT DISTRIBUTION

SKU SPECIFICATIONS

Product Code	Dimensions (mm)	CCT (K)	Lumens (lm)	Power (W)	Eff. (lm/watt)	Lens Angle (°)
CRI 90						
1F9298 Stiletto B-2/3000/5W/90/A120/24V/Brass	Ø30 x H133 mm ± 1mm	3000	113	5W	27	120°
1F9299 Stiletto B-2/3000/5W/90/A120/24V/White	Ø30 x H133 mm ± 1mm	3000	113	5W	27	120°
1F9300 Stiletto B-2/3000/5W/90/A120/24V/Black	Ø30 x H133 mm ± 1mm	3000	113	5W	27	120°
1F9301 Stiletto B-2/4000/5W/90/A120/24V/Brass	Ø30 x H133 mm ± 1mm	4000	113	5W	27	120°
1F9302 Stiletto B-2/4000/5W/90/A120/24V/White	Ø30 x H133 mm ± 1mm	4000	113	5W	27	120°
1F9303 Stiletto B-2/4000/5W/90/A120/24V/Black	Ø30 x H133 mm ± 1mm	4000	113	5W	27	120°
1F9304 Stiletto B-2/6500/5W/90/A120/24V/Brass	Ø30 x H133 mm ± 1mm	6500	113	5W	27	120°
1F9305 Stiletto B-2/6500/5W/90/A120/24V/White	Ø30 x H133 mm ± 1mm	6500	113	5W	27	120°
1F9306 Stiletto B-2/6500/5W/90/A120/24V/Black	Ø30 x H133 mm ± 1mm	6500	113	5W	27	120°



Stiletto G

SURFACE MOUNTED | NON-DALI SERIES

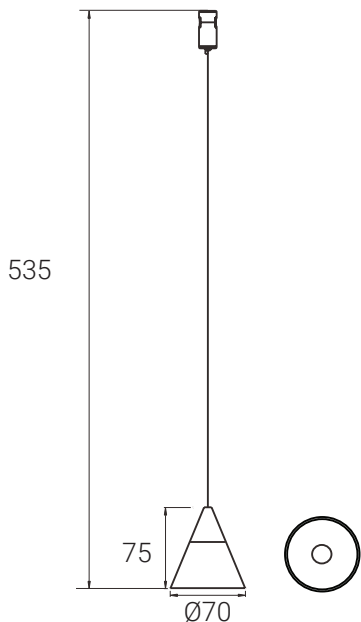
Step into a realm of refined illumination with Stiletto, a collection that combines the allure of golden aesthetics with the precision of LED technology.

FEATURES & BENEFITS

- CRI > 90 as standard
- Color temperatures: 3000K
- Beam angles: 17°, 24°, 36°
- Luminaire efficiency: 64lm/W @3000K
- Output power: 7W

APPLICATION

High End Grocery & Supermarkets | Fashion Retailers | Art & Exhibitions | DIY



SPECIFICATIONS

Mounting type	Magnetic track mounted luminaires
Power consumption	7W
Dimensions	Lcable 535 x Ø70 x H75 mm ± 1mm
Housing materials	Aluminium, Acrylic
IK code	IK00
Protection class	Safety class 1
Operating temperature [°C]	-20°C ... +40°C / -4F ... +104F
Operating humidity [%]	20 ÷ 90
AC Input [Vac]	220 - 240 VAC (Driver included)
Output [Vdc]	24 VDC
Lens angle [°]	17°, 24°, 36°
Lifespan [h]	50.000
Housing color	Brass, White ,Black
Lumen maintenance	L70/B30@50.000h at 25°C
IP factor	IP20
Control option	-
Warranty [years]	3
Storage temperature range [°C]	10°C ... +30°C / 50°F ... +86°F

Light application	Standard
CRI	CRI90
CCT [K]	3000K

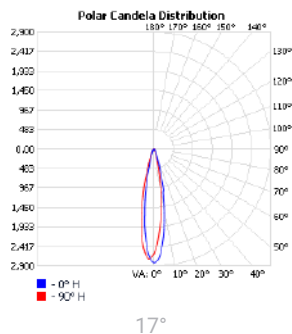
CRI - Color rendering, CCT - Color temperature

TOLERANCES

Luminous flux tolerances: -/+ 5%

Consumption tolerance: -/+ 5% for Non-DALI | -/+ 10% for Non-DALI & KIT EM | -/+ 10% for DALI | -/+ 15% for DALI & KIT EM

LIGHT DISTRIBUTION



SKU SPECIFICATIONS

Product Code	Dimensions (mm)	CCT (K)	Lumens (lm)	Power (W)	Eff. (lm/watt)	Lens Angle (°)
CRI 90						
1F9307 Stiletto G/3000/7W/90/A17/24V/Brass	Ø70 x H75 mm ± 1mm	3000	450	7W	65	17°, 24°, 36°
1F9308 Stiletto G/3000/7W/90/A17/24V/White	Ø70 x H75 mm ± 1mm	3000	450	7W	65	17°, 24°, 36°
1F9309 Stiletto G/3000/7W/90/A17/24V/Black	Ø70 x H75 mm ± 1mm	3000	450	7W	65	17°, 24°, 36°
1F9310 Stiletto G/4000/7W/90/A17/24V/Brass	Ø70 x H75 mm ± 1mm	4000	450	7W	65	17°, 24°, 36°
1F9311 Stiletto G/4000/7W/90/A17/24V/White	Ø70 x H75 mm ± 1mm	4000	450	7W	65	17°, 24°, 36°
1F9312 Stiletto G/4000/7W/90/A17/24V/Black	Ø70 x H75 mm ± 1mm	4000	450	7W	65	17°, 24°, 36°
1F9313 Stiletto G/6500/7W/90/A17/24V/Brass	Ø70 x H75 mm ± 1mm	6500	450	7W	65	17°, 24°, 36°
1F9314 Stiletto G/6500/7W/90/A17/24V/White	Ø70 x H75 mm ± 1mm	6500	450	7W	65	17°, 24°, 36°
1F9315 Stiletto G/6500/7W/90/A17/24V/Black	Ø70 x H75 mm ± 1mm	6500	450	7W	65	17°, 24°, 36°
1F9316 Stiletto G/3000/7W/90/A24/24V/Brass	Ø70 x H75 mm ± 1mm	3000	450	7W	65	17°, 24°, 36°
1F9317 Stiletto G/3000/7W/90/A24/24V/White	Ø70 x H75 mm ± 1mm	3000	450	7W	65	17°, 24°, 36°
1F9318 Stiletto G/3000/7W/90/A24/24V/Black	Ø70 x H75 mm ± 1mm	3000	450	7W	65	17°, 24°, 36°
1F9319 Stiletto G/4000/7W/90/A24/24V/Brass	Ø70 x H75 mm ± 1mm	4000	450	7W	65	17°, 24°, 36°
1F9320 Stiletto G/4000/7W/90/A24/24V/White	Ø70 x H75 mm ± 1mm	4000	450	7W	65	17°, 24°, 36°
1F9321 Stiletto G/4000/7W/90/A24/24V/Black	Ø70 x H75 mm ± 1mm	4000	450	7W	65	17°, 24°, 36°
1F9322 Stiletto G/6500/7W/90/A24/24V/Brass	Ø70 x H75 mm ± 1mm	6500	450	7W	65	17°, 24°, 36°
1F9323 Stiletto G/6500/7W/90/A24/24V/White	Ø70 x H75 mm ± 1mm	6500	450	7W	65	17°, 24°, 36°
1F9324 Stiletto G/6500/7W/90/A24/24V/Black	Ø70 x H75 mm ± 1mm	6500	450	7W	65	17°, 24°, 36°
1F9325 Stiletto G/3000/7W/90/A36/24V/Brass	Ø70 x H75 mm ± 1mm	3000	450	7W	65	17°, 24°, 36°
1F9326 Stiletto G/3000/7W/90/A36/24V/White	Ø70 x H75 mm ± 1mm	3000	450	7W	65	17°, 24°, 36°
1F9327 Stiletto G/3000/7W/90/A36/24V/Black	Ø70 x H75 mm ± 1mm	3000	450	7W	65	17°, 24°, 36°
1F9328 Stiletto G/4000/7W/90/A36/24V/Brass	Ø70 x H75 mm ± 1mm	4000	450	7W	65	17°, 24°, 36°
1F9329 Stiletto G/4000/7W/90/A36/24V/White	Ø70 x H75 mm ± 1mm	4000	450	7W	65	17°, 24°, 36°
1F9330 Stiletto G/4000/7W/90/A36/24V/Black	Ø70 x H75 mm ± 1mm	4000	450	7W	65	17°, 24°, 36°
1F9331 Stiletto G/6500/7W/90/A36/24V/Brass	Ø70 x H75 mm ± 1mm	6500	450	7W	65	17°, 24°, 36°
1F9332 Stiletto G/6500/7W/90/A36/24V/White	Ø70 x H75 mm ± 1mm	6500	450	7W	65	17°, 24°, 36°
1F9333 Stiletto G/6500/7W/90/A36/24V/Black	Ø70 x H75 mm ± 1mm	6500	450	7W	65	17°, 24°, 36°



Stiletto H

SURFACE MOUNTED | NON-DALI SERIES

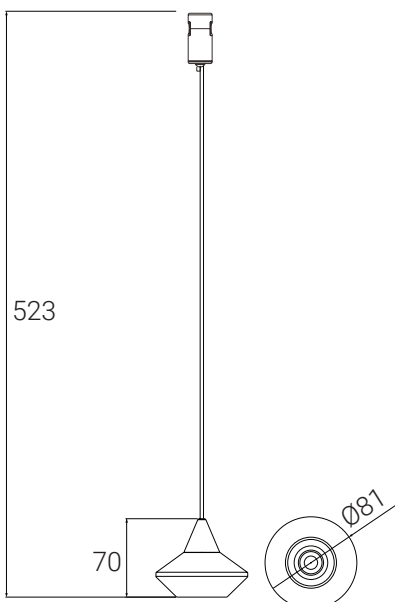
Step into a realm of refined illumination with Stiletto, a collection that combines the allure of golden aesthetics with the precision of LED technology.

FEATURES & BENEFITS

- CRI > 90 as standard
- Color temperatures: 3000K
- Beam angles: 15°, 24°, 36°, 50°
- Luminaire efficiency: 64lm/W @3000K
- Output power: 7W

APPLICATION

High End Grocery & Supermarkets | Fashion Retailers | Art & Exhibitions | DIY



SPECIFICATIONS

Mounting type	Magnetic track mounted luminaires
Power consumption	7W
Dimensions	Lcable 523 x Ø81 x H70 mm ± 1mm
Housing materials	Aluminium, Acrylic
IK code	IK00
Protection class	Safety class 1
Operating temperature [°C]	-20°C ... +40°C / -4F ... +104F
Operating humidity [%]	20 ÷ 90
AC Input [Vac]	220 - 240 VAC (Driver included)
Output [Vdc]	24 VDC
Lens angle [°]	15°, 24°, 36°, 50°
Lifespan [h]	50.000
Housing color	Brass, White ,Black
Lumen maintenance	L70/B30@50.000h at 25°C
IP factor	IP20
Control option	-
Warranty [years]	3
Storage temperature range [°C]	10°C ... +30°C / 50°F ... +86°F

Light application	Standard
CRI	CRI90
CCT [K]	3000K

CRI - Color rendering, CCT - Color temperature

TOLERANCES

Luminous flux tolerances: -/+ 5%

Consumption tolerance: -/+ 5% for Non-DALI | -/+ 10% for Non-DALI & KIT EM | -/+ 10% for DALI | -/+ 15% for DALI & KIT EM

LIGHT DISTRIBUTION

SKU SPECIFICATIONS

Product Code	Dimensions (mm)	CCT (K)	Lumens (lm)	Power (W)	Eff. (lm/watt)	Lens Angle (°)
CRI 90						
1F9334 Stiletto H/3000/7W/90/A15/24V/Brass	Ø81 x H70 mm ± 1mm	3000	445	7W	64	17°,24°.36°,50°
1F9335 Stiletto H/3000/7W/90/A15/24V/White	Ø81 x H70 mm ± 1mm	3000	445	7W	64	17°,24°.36°,50°
1F9336 Stiletto H/3000/7W/90/A15/24V/Black	Ø81 x H70 mm ± 1mm	3000	445	7W	64	17°,24°.36°,50°
1F9337 Stiletto H/4000/7W/90/A15/24V/Brass	Ø81 x H70 mm ± 1mm	4000	445	7W	64	17°,24°.36°,50°
1F9338 Stiletto H/4000/7W/90/A15/24V/White	Ø81 x H70 mm ± 1mm	4000	445	7W	64	17°,24°.36°,50°
1F9339 Stiletto H/4000/7W/90/A15/24V/Black	Ø81 x H70 mm ± 1mm	4000	445	7W	64	17°,24°.36°,50°
1F9340 Stiletto H/6500/7W/90/A15/24V/Brass	Ø81 x H70 mm ± 1mm	6500	445	7W	64	17°,24°.36°,50°
1F9341 Stiletto H/6500/7W/90/A15/24V/White	Ø81 x H70 mm ± 1mm	6500	445	7W	64	17°,24°.36°,50°
1F9342 Stiletto H/6500/7W/90/A15/24V/Black	Ø81 x H70 mm ± 1mm	6500	445	7W	64	17°,24°.36°,50°
1F9343 Stiletto H/3000/7W/90/A24/24V/Brass	Ø81 x H70 mm ± 1mm	3000	445	7W	64	17°,24°.36°,50°
1F9344 Stiletto H/3000/7W/90/A24/24V/White	Ø81 x H70 mm ± 1mm	3000	445	7W	64	17°,24°.36°,50°
1F9345 Stiletto H/3000/7W/90/A24/24V/Black	Ø81 x H70 mm ± 1mm	3000	445	7W	64	17°,24°.36°,50°
1F9346 Stiletto H/4000/7W/90/A24/24V/Brass	Ø81 x H70 mm ± 1mm	4000	445	7W	64	17°,24°.36°,50°
1F9347 Stiletto H/4000/7W/90/A24/24V/White	Ø81 x H70 mm ± 1mm	4000	445	7W	64	17°,24°.36°,50°
1F9348 Stiletto H/4000/7W/90/A24/24V/Black	Ø81 x H70 mm ± 1mm	4000	445	7W	64	17°,24°.36°,50°
1F9349 Stiletto H/6500/7W/90/A24/24V/Brass	Ø81 x H70 mm ± 1mm	6500	445	7W	64	17°,24°.36°,50°
1F9350 Stiletto H/6500/7W/90/A24/24V/White	Ø81 x H70 mm ± 1mm	6500	445	7W	64	17°,24°.36°,50°
1F9351 Stiletto H/6500/7W/90/A24/24V/Black	Ø81 x H70 mm ± 1mm	6500	445	7W	64	17°,24°.36°,50°
1F9352 Stiletto H/3000/7W/90/A36/24V/Brass	Ø81 x H70 mm ± 1mm	3000	445	7W	64	17°,24°.36°,50°
1F9353 Stiletto H/3000/7W/90/A36/24V/White	Ø81 x H70 mm ± 1mm	3000	445	7W	64	17°,24°.36°,50°
1F9354 Stiletto H/3000/7W/90/A36/24V/Black	Ø81 x H70 mm ± 1mm	3000	445	7W	64	17°,24°.36°,50°
1F9355 Stiletto H/4000/7W/90/A36/24V/Brass	Ø81 x H70 mm ± 1mm	4000	445	7W	64	17°,24°.36°,50°
1F9356 Stiletto H/4000/7W/90/A36/24V/White	Ø81 x H70 mm ± 1mm	4000	445	7W	64	17°,24°.36°,50°
1F9357 Stiletto H/4000/7W/90/A36/24V/Black	Ø81 x H70 mm ± 1mm	4000	445	7W	64	17°,24°.36°,50°
1F9358 Stiletto H/6500/7W/90/A36/24V/Brass	Ø81 x H70 mm ± 1mm	6500	445	7W	64	17°,24°.36°,50°
1F9359 Stiletto H/6500/7W/90/A36/24V/White	Ø81 x H70 mm ± 1mm	6500	445	7W	64	17°,24°.36°,50°
1F9360 Stiletto H/6500/7W/90/A36/24V/Black	Ø81 x H70 mm ± 1mm	6500	445	7W	64	17°,24°.36°,50°
1F9361 Stiletto H/3000/7W/90/A50/24V/Brass	Ø81 x H70 mm ± 1mm	3000	445	7W	64	17°,24°.36°,50°
1F9362 Stiletto H/3000/7W/90/A50/24V/White	Ø81 x H70 mm ± 1mm	3000	445	7W	64	17°,24°.36°,50°
1F9363 Stiletto H/3000/7W/90/A50/24V/Black	Ø81 x H70 mm ± 1mm	3000	445	7W	64	17°,24°.36°,50°
1F9364 Stiletto H/4000/7W/90/A50/24V/Brass	Ø81 x H70 mm ± 1mm	4000	445	7W	64	17°,24°.36°,50°
1F9365 Stiletto H/4000/7W/90/A50/24V/White	Ø81 x H70 mm ± 1mm	4000	445	7W	64	17°,24°.36°,50°
1F9366 Stiletto H/4000/7W/90/A50/24V/Black	Ø81 x H70 mm ± 1mm	4000	445	7W	64	17°,24°.36°,50°
1F9367 Stiletto H/6500/7W/90/A50/24V/Brass	Ø81 x H70 mm ± 1mm	6500	445	7W	64	17°,24°.36°,50°
1F9368 Stiletto H/6500/7W/90/A50/24V/White	Ø81 x H70 mm ± 1mm	6500	445	7W	64	17°,24°.36°,50°
1F9369 Stiletto H/6500/7W/90/A50/24V/Black	Ø81 x H70 mm ± 1mm	6500	445	7W	64	17°,24°.36°,50°

Technical specifications can be modified without prior notice. All information is property of Greentek Lighting.

The presentation picture is for information purposes only. Latest document update: September 18, 2024 3:43 PM. www.greentek.eu



Stiletto I

SURFACE MOUNTED | NON-DALI SERIES

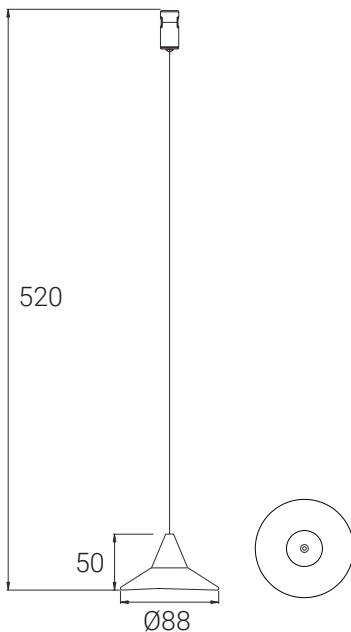
Step into a realm of refined illumination with Stiletto, a collection that combines the allure of golden aesthetics with the precision of LED technology.

FEATURES & BENEFITS

- CRI > 90 as standard
- Color temperatures: 3000K
- Beam angles: 17°, 24°, 36°
- Luminaire efficiency: 65lm/W @3000K
- Output power: 7W

APPLICATION

High End Grocery & Supermarkets | Fashion Retailers | Art & Exhibitions | DIY



SPECIFICATIONS

Mounting type	Magnetic track mounted luminaires
Power consumption	7W
Dimensions	Lcable 520 x Ø88 x H50mm ± 1mm
Housing materials	Aluminium, Acrylic
IK code	IK00
Protection class	Safety class 1
Operating temperature [°C]	-20°C ... +40°C / -4F ... +104F
Operating humidity [%]	20 ÷ 90
AC Input [Vac]	220 - 240 VAC (Driver included)
Output [Vdc]	24 VDC
Lens angle [°]	17°, 24°, 36°
Lifespan [h]	50.000
Housing color	Brass, White, Black
Lumen maintenance	L70/B30@50.000h at 25°C
IP factor	IP20
Control option	-
Warranty [years]	3
Storage temperature range [°C]	10°C ... +30°C / 50°F ... +86°F

Light application	Standard
CRI	CRI90
CCT [K]	3000K

CRI - Color rendering, CCT - Color temperature

TOLERANCES

Luminous flux tolerances: -/+ 5%

Consumption tolerance: -/+ 5% for Non-DALI | -/+ 10% for Non-DALI & KIT EM | -/+ 10% for DALI | -/+ 15% for DALI & KIT EM

LIGHT DISTRIBUTION

SKU SPECIFICATIONS

Product Code	Dimensions (mm)	CCT (K)	Lumens (lm)	Power (W)	Eff. (lm/watt)	Lens Angle (°)
CRI 90						
1F9370 Stiletto I/3000/7W/90/A17/24V/Brass	Ø88 x H50mm ± 1mm	3000	450	7W	65	17°,24°,36°
1F9371 Stiletto I/3000/7W/90/A17/24V/White	Ø88 x H50mm ± 1mm	3000	450	7W	65	17°,24°,36°
1F9372 Stiletto I/3000/7W/90/A17/24V/Black	Ø88 x H50mm ± 1mm	3000	450	7W	65	17°,24°,36°
1F9373 Stiletto I/4000/7W/90/A17/24V/Brass	Ø88 x H50mm ± 1mm	4000	450	7W	65	17°,24°,36°
1F9374 Stiletto I/4000/7W/90/A17/24V/White	Ø88 x H50mm ± 1mm	4000	450	7W	65	17°,24°,36°
1F9375 Stiletto I/4000/7W/90/A17/24V/Black	Ø88 x H50mm ± 1mm	4000	450	7W	65	17°,24°,36°
1F9376 Stiletto I/6500/7W/90/A17/24V/Brass	Ø88 x H50mm ± 1mm	6500	450	7W	65	17°,24°,36°
1F9377 Stiletto I/6500/7W/90/A17/24V/White	Ø88 x H50mm ± 1mm	6500	450	7W	65	17°,24°,36°
1F9378 Stiletto I/6500/7W/90/A17/24V/Black	Ø88 x H50mm ± 1mm	6500	450	7W	65	17°,24°,36°
1F9379 Stiletto I/3000/7W/90/A24/24V/Brass	Ø88 x H50mm ± 1mm	3000	450	7W	65	17°,24°,36°
1F9380 Stiletto I/3000/7W/90/A24/24V/White	Ø88 x H50mm ± 1mm	3000	450	7W	65	17°,24°,36°
1F9381 Stiletto I/3000/7W/90/A24/24V/Black	Ø88 x H50mm ± 1mm	3000	450	7W	65	17°,24°,36°
1F9382 Stiletto I/4000/7W/90/A24/24V/Brass	Ø88 x H50mm ± 1mm	4000	450	7W	65	17°,24°,36°
1F9383 Stiletto I/4000/7W/90/A24/24V/White	Ø88 x H50mm ± 1mm	4000	450	7W	65	17°,24°,36°
1F9384 Stiletto I/4000/7W/90/A24/24V/Black	Ø88 x H50mm ± 1mm	4000	450	7W	65	17°,24°,36°
1F9385 Stiletto I/6500/7W/90/A24/24V/Brass	Ø88 x H50mm ± 1mm	6500	450	7W	65	17°,24°,36°
1F9386 Stiletto I/6500/7W/90/A24/24V/White	Ø88 x H50mm ± 1mm	6500	450	7W	65	17°,24°,36°
1F9387 Stiletto I/6500/7W/90/A24/24V/Black	Ø88 x H50mm ± 1mm	6500	450	7W	65	17°,24°,36°
1F9388 Stiletto I/3000/7W/90/A36/24V/Brass	Ø88 x H50mm ± 1mm	3000	450	7W	65	17°,24°,36°
1F9389 Stiletto I/3000/7W/90/A36/24V/White	Ø88 x H50mm ± 1mm	3000	450	7W	65	17°,24°,36°
1F9390 Stiletto I/3000/7W/90/A36/24V/Black	Ø88 x H50mm ± 1mm	3000	450	7W	65	17°,24°,36°
1F9391 Stiletto I/4000/7W/90/A36/24V/Brass	Ø88 x H50mm ± 1mm	4000	450	7W	65	17°,24°,36°
1F9392 Stiletto I/4000/7W/90/A36/24V/White	Ø88 x H50mm ± 1mm	4000	450	7W	65	17°,24°,36°
1F9393 Stiletto I/4000/7W/90/A36/24V/Black	Ø88 x H50mm ± 1mm	4000	450	7W	65	17°,24°,36°
1F9394 Stiletto I/6500/7W/90/A36/24V/Brass	Ø88 x H50mm ± 1mm	6500	450	7W	65	17°,24°,36°
1F9395 Stiletto I/6500/7W/90/A36/24V/White	Ø88 x H50mm ± 1mm	6500	450	7W	65	17°,24°,36°
1F9396 Stiletto I/6500/7W/90/A36/24V/Black	Ø88 x H50mm ± 1mm	6500	450	7W	65	17°,24°,36°

Technical specifications can be modified without prior notice. All information is property of Greentek Lighting.

The presentation picture is for information purposes only. Latest document update: September 18, 2024 3:59 PM. www.greentek.eu



Stiletto J

SURFACE MOUNTED | NON-DALI SERIES

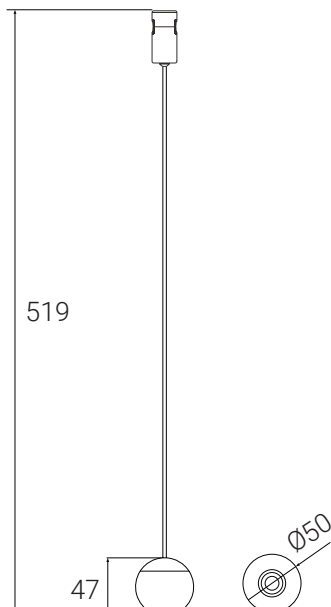
Step into a realm of refined illumination with Stiletto, a collection that combines the allure of golden aesthetics with the precision of LED technology.

FEATURES & BENEFITS

- CRI > 90 as standard
- Color temperatures: 3000K
- Beam angles: 15°, 24°, 36°, 50°
- Luminaire efficiency: 60lm/W @3000K
- Output power: 7W

APPLICATION

High End Grocery & Supermarkets | Fashion Retailers | Art & Exhibitions | DIY



SPECIFICATIONS

Mounting type	Magnetic track mounted luminaires
Power consumption	7W
Dimensions	Lcable 519 x Ø50 x H47mm ± 1mm
Housing materials	Aluminium, Acrylic
IK code	IK00
Protection class	Safety class 1
Operating temperature [°C]	-20°C ... +40°C / -4F ... +104F
Operating humidity [%]	20 ÷ 90
AC Input [Vac]	220 - 240 VAC (Driver included)
Output [Vdc]	24 VDC
Lens angle [°]	15°, 24°, 36°, 50°
Lifespan [h]	50.000
Housing color	Brass, White ,Black
Lumen maintenance	L70/B30@50.000h at 25°C
IP factor	IP20
Control option	-
Warranty [years]	3
Storage temperature range [°C]	10°C ... +30°C / 50°F ... +86°F

Light application	Standard
CRI	CRI90
CCT [K]	3000K

CRI - Color rendering, CCT - Color temperature

TOLERANCES

Luminous flux tolerances: -/+ 5%

Consumption tolerance: -/+ 5% for Non-DALI | -/+ 10% for Non-DALI & KIT EM | -/+ 10% for DALI | -/+ 15% for DALI & KIT EM

LIGHT DISTRIBUTION

SKU SPECIFICATIONS

Product Code	Dimensions (mm)	CCT (K)	Lumens (lm)	Power (W)	Eff. (lm/watt)	Lens Angle (°)
CRI 90						
1F9397 Stiletto J/3000/7W/90/A15/24V/Brass	Ø50 x H47mm ± 1mm	3000	420	7W	60	15°,24°,36°,50°
1F9398 Stiletto J/3000/7W/90/A15/24V/White	Ø50 x H47mm ± 1mm	3000	420	7W	60	15°,24°,36°,50°
1F9399 Stiletto J/3000/7W/90/A15/24V/Black	Ø50 x H47mm ± 1mm	3000	420	7W	60	15°,24°,36°,50°
1F9400 Stiletto J/4000/7W/90/A15/24V/Brass	Ø50 x H47mm ± 1mm	4000	420	7W	60	15°,24°,36°,50°
1F9401 Stiletto J/4000/7W/90/A15/24V/White	Ø50 x H47mm ± 1mm	4000	420	7W	60	15°,24°,36°,50°
1F9402 Stiletto J/4000/7W/90/A15/24V/Black	Ø50 x H47mm ± 1mm	4000	420	7W	60	15°,24°,36°,50°
1F9403 Stiletto J/6500/7W/90/A15/24V/Brass	Ø50 x H47mm ± 1mm	6500	420	7W	60	15°,24°,36°,50°
1F9404 Stiletto J/6500/7W/90/A15/24V/White	Ø50 x H47mm ± 1mm	6500	420	7W	60	15°,24°,36°,50°
1F9405 Stiletto J/6500/7W/90/A15/24V/Black	Ø50 x H47mm ± 1mm	6500	420	7W	60	15°,24°,36°,50°
1F9406 Stiletto J/3000/7W/90/A24/24V/Brass	Ø50 x H47mm ± 1mm	3000	420	7W	60	15°,24°,36°,50°
1F9407 Stiletto J/3000/7W/90/A24/24V/White	Ø50 x H47mm ± 1mm	3000	420	7W	60	15°,24°,36°,50°
1F9408 Stiletto J/3000/7W/90/A24/24V/Black	Ø50 x H47mm ± 1mm	3000	420	7W	60	15°,24°,36°,50°
1F9409 Stiletto J/4000/7W/90/A24/24V/Brass	Ø50 x H47mm ± 1mm	4000	420	7W	60	15°,24°,36°,50°
1F9410 Stiletto J/4000/7W/90/A24/24V/White	Ø50 x H47mm ± 1mm	4000	420	7W	60	15°,24°,36°,50°
1F9411 Stiletto J/4000/7W/90/A24/24V/Black	Ø50 x H47mm ± 1mm	4000	420	7W	60	15°,24°,36°,50°
1F9412 Stiletto J/6500/7W/90/A24/24V/Brass	Ø50 x H47mm ± 1mm	6500	420	7W	60	15°,24°,36°,50°
1F9413 Stiletto J/6500/7W/90/A24/24V/White	Ø50 x H47mm ± 1mm	6500	420	7W	60	15°,24°,36°,50°
1F9414 Stiletto J/6500/7W/90/A24/24V/Black	Ø50 x H47mm ± 1mm	6500	420	7W	60	15°,24°,36°,50°
1F9415 Stiletto J/3000/7W/90/A36/24V/Brass	Ø50 x H47mm ± 1mm	3000	420	7W	60	15°,24°,36°,50°
1F9416 Stiletto J/3000/7W/90/A36/24V/White	Ø50 x H47mm ± 1mm	3000	420	7W	60	15°,24°,36°,50°
1F9417 Stiletto J/3000/7W/90/A36/24V/Black	Ø50 x H47mm ± 1mm	3000	420	7W	60	15°,24°,36°,50°
1F9418 Stiletto J/4000/7W/90/A36/24V/Brass	Ø50 x H47mm ± 1mm	4000	420	7W	60	15°,24°,36°,50°
1F9419 Stiletto J/4000/7W/90/A36/24V/White	Ø50 x H47mm ± 1mm	4000	420	7W	60	15°,24°,36°,50°
1F9420 Stiletto J/4000/7W/90/A36/24V/Black	Ø50 x H47mm ± 1mm	4000	420	7W	60	15°,24°,36°,50°
1F9421 Stiletto J/6500/7W/90/A36/24V/Brass	Ø50 x H47mm ± 1mm	6500	420	7W	60	15°,24°,36°,50°
1F9422 Stiletto J/6500/7W/90/A36/24V/White	Ø50 x H47mm ± 1mm	6500	420	7W	60	15°,24°,36°,50°
1F9423 Stiletto J/6500/7W/90/A36/24V/Black	Ø50 x H47mm ± 1mm	6500	420	7W	60	15°,24°,36°,50°
1F9424 Stiletto J/3000/7W/90/A50/24V/Brass	Ø50 x H47mm ± 1mm	3000	420	7W	60	15°,24°,36°,50°
1F9425 Stiletto J/3000/7W/90/A50/24V/White	Ø50 x H47mm ± 1mm	3000	420	7W	60	15°,24°,36°,50°
1F9426 Stiletto J/3000/7W/90/A50/24V/Black	Ø50 x H47mm ± 1mm	3000	420	7W	60	15°,24°,36°,50°
1F9427 Stiletto J/4000/7W/90/A50/24V/Brass	Ø50 x H47mm ± 1mm	4000	420	7W	60	15°,24°,36°,50°
1F9428 Stiletto J/4000/7W/90/A50/24V/White	Ø50 x H47mm ± 1mm	4000	420	7W	60	15°,24°,36°,50°
1F9429 Stiletto J/4000/7W/90/A50/24V/Black	Ø50 x H47mm ± 1mm	4000	420	7W	60	15°,24°,36°,50°
1F9430 Stiletto J/6500/7W/90/A50/24V/Brass	Ø50 x H47mm ± 1mm	6500	420	7W	60	15°,24°,36°,50°
1F9431 Stiletto J/6500/7W/90/A50/24V/White	Ø50 x H47mm ± 1mm	6500	420	7W	60	15°,24°,36°,50°
1F9432 Stiletto J/6500/7W/90/A50/24V/Black	Ø50 x H47mm ± 1mm	6500	420	7W	60	15°,24°,36°,50°



Stiletto L

SURFACE MOUNTED | NON-DALI SERIES

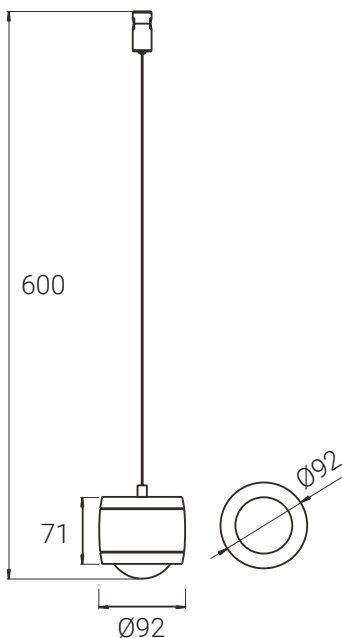
Step into a realm of refined illumination with Stiletto, a collection that combines the allure of golden aesthetics with the precision of LED technology.

FEATURES & BENEFITS

- CRI > 90 as standard
- Color temperatures: 3000K
- Beam angles: 20°, 40°, 60°
- Luminaire efficiency: 31lm/W @3000K
- Output power: 7W

APPLICATION

High End Grocery & Supermarkets | Fashion Retailers | Art & Exhibitions | DIY



SPECIFICATIONS

Mounting type	Magnetic track mounted luminaires
Power consumption	7W
Dimensions	Lcable 600 x Ø92 x H71mm ± 1mm
Housing materials	Aluminium, Acrylic
IK code	IK00
Protection class	Safety class 1
Operating temperature [°C]	-20°C ... +40°C / -4F ... +104F
Operating humidity [%]	20 ÷ 90
AC Input [Vac]	220 - 240 VAC (Driver included)
Output [Vdc]	24 VDC
Lens angle [°]	20°, 40°, 60°
Lifespan [h]	50.000
Housing color	Brass, White ,Black
Lumen maintenance	L70/B30@50.000h at 25°C
IP factor	IP20
Control option	-
Warranty [years]	3
Storage temperature range [°C]	10°C ... +30°C / 50°F ... +86°F

Light application	Standard
CRI	CRI90
CCT [K]	3000K

CRI - Color rendering, CCT - Color temperature

TOLERANCES

Luminous flux tolerances: -/+ 5%

Consumption tolerance: -/+ 5% for Non-DALI | -/+ 10% for Non-DALI & KIT EM | -/+ 10% for DALI | -/+ 15% for DALI & KIT EM

LIGHT DISTRIBUTION

SKU SPECIFICATIONS

Product Code	Dimensions (mm)	CCT (K)	Lumens (lm)	Power (W)	Eff. (lm/watt)	Lens Angle (°)
CRI 90						
1F9433 Stiletto L/UD/3000/2W/5W/90/A20/24V/Brass	Ø92 x H71mm ± 1mm	3000	215	7W	31	20°,40°,60°
1F9434 Stiletto L/UD/3000/2W/5W/90/A20/24V/White	Ø92 x H71mm ± 1mm	3000	215	7W	31	20°,40°,60°
1F9435 Stiletto L/UD/3000/2W/5W/90/A20/24V/Black	Ø92 x H71mm ± 1mm	3000	215	7W	31	20°,40°,60°
1F9436 Stiletto L/UD/4000/2W/5W/90/A20/24V/Brass	Ø92 x H71mm ± 1mm	4000	215	7W	31	20°,40°,60°
1F9437 Stiletto L/UD/4000/2W/5W/90/A20/24V/White	Ø92 x H71mm ± 1mm	4000	215	7W	31	20°,40°,60°
1F9438 Stiletto L/UD/4000/2W/5W/90/A20/24V/Black	Ø92 x H71mm ± 1mm	4000	215	7W	31	20°,40°,60°
1F9439 Stiletto L/UD/6500/2W/5W/90/A20/24V/Brass	Ø92 x H71mm ± 1mm	6500	215	7W	31	20°,40°,60°
1F9440 Stiletto L/UD/6500/2W/5W/90/A20/24V/White	Ø92 x H71mm ± 1mm	6500	215	7W	31	20°,40°,60°
1F9441 Stiletto L/UD/6500/2W/5W/90/A20/24V/Black	Ø92 x H71mm ± 1mm	6500	215	7W	31	20°,40°,60°
1F9442 Stiletto L/UD/3000/2W/5W/90/A40/24V/Brass	Ø92 x H71mm ± 1mm	3000	215	7W	31	20°,40°,60°
1F9443 Stiletto L/UD/3000/2W/5W/90/A40/24V/White	Ø92 x H71mm ± 1mm	3000	215	7W	31	20°,40°,60°
1F9444 Stiletto L/UD/3000/2W/5W/90/A40/24V/Black	Ø92 x H71mm ± 1mm	3000	215	7W	31	20°,40°,60°
1F9445 Stiletto L/UD/4000/2W/5W/90/A40/24V/Brass	Ø92 x H71mm ± 1mm	4000	215	7W	31	20°,40°,60°
1F9446 Stiletto L/UD/4000/2W/5W/90/A40/24V/White	Ø92 x H71mm ± 1mm	4000	215	7W	31	20°,40°,60°
1F9447 Stiletto L/UD/4000/2W/5W/90/A40/24V/Black	Ø92 x H71mm ± 1mm	4000	215	7W	31	20°,40°,60°
1F9448 Stiletto L/UD/6500/2W/5W/90/A40/24V/Brass	Ø92 x H71mm ± 1mm	6500	215	7W	31	20°,40°,60°
1F9449 Stiletto L/UD/6500/2W/5W/90/A40/24V/White	Ø92 x H71mm ± 1mm	6500	215	7W	31	20°,40°,60°
1F9450 Stiletto L/UD/6500/2W/5W/90/A40/24V/Black	Ø92 x H71mm ± 1mm	6500	215	7W	31	20°,40°,60°
1F9451 Stiletto L/UD/3000/2W/5W/90/A60/24V/Brass	Ø92 x H71mm ± 1mm	3000	215	7W	31	20°,40°,60°
1F9452 Stiletto L/UD/3000/2W/5W/90/A60/24V/White	Ø92 x H71mm ± 1mm	3000	215	7W	31	20°,40°,60°
1F9453 Stiletto L/UD/3000/2W/5W/90/A60/24V/Black	Ø92 x H71mm ± 1mm	3000	215	7W	31	20°,40°,60°
1F9454 Stiletto L/UD/4000/2W/5W/90/A60/24V/Brass	Ø92 x H71mm ± 1mm	4000	215	7W	31	20°,40°,60°
1F9455 Stiletto L/UD/4000/2W/5W/90/A60/24V/White	Ø92 x H71mm ± 1mm	4000	215	7W	31	20°,40°,60°
1F9456 Stiletto L/UD/4000/2W/5W/90/A60/24V/Black	Ø92 x H71mm ± 1mm	4000	215	7W	31	20°,40°,60°
1F9457 Stiletto L/UD/6500/2W/5W/90/A60/24V/Brass	Ø92 x H71mm ± 1mm	6500	215	7W	31	20°,40°,60°
1F9458 Stiletto L/UD/6500/2W/5W/90/A60/24V/White	Ø92 x H71mm ± 1mm	6500	215	7W	31	20°,40°,60°
1F9459 Stiletto L/UD/6500/2W/5W/90/A60/24V/Black	Ø92 x H71mm ± 1mm	6500	215	7W	31	20°,40°,60°

Technical specifications can be modified without prior notice. All information is property of Greentek Lighting.

The presentation picture is for information purposes only. Latest document update: September 18, 2024 5:10 PM. www.greentek.eu



Stiletto P

SURFACE MOUNTED | NON-DALI SERIES

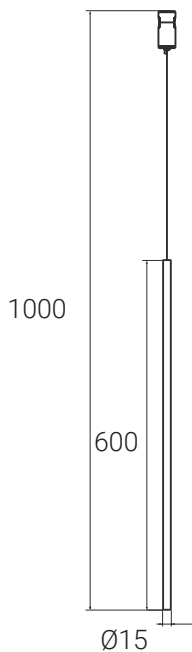
Step into a realm of refined illumination with Stiletto, a collection that combines the allure of golden aesthetics with the precision of LED technology.

FEATURES & BENEFITS

- CRI > 90 as standard
- Color temperatures: 3000K
- Beam angles: 27°
- Luminaire efficiency: 22lm/W @3000K
- Output power: 7W

APPLICATION

High End Grocery & Supermarkets | Fashion Retailers | Art & Exhibitions | DIY



SPECIFICATIONS

Mounting type	Magnetic track mounted luminaires
Power consumption	7W
Dimensions	Lcable 1000 x Ø15 x H600 mm ± 1mm
Housing materials	Aluminium, Acrylic
IK code	IK00
Protection class	Safety class 1
Operating temperature [°C]	-20°C ... +40°C / -4F ... +104F
Operating humidity [%]	20 ÷ 90
AC Input [Vac]	220 - 240 VAC (Driver included)
Output [Vdc]	24 VDC
Lens angle [°]	27°
Lifespan [h]	50.000
Housing color	Brass, White ,Black
Lumen maintenance	L70/B30@50.000h at 25°C
IP factor	IP20
Control option	-
Warranty [years]	3
Storage temperature range [°C]	10°C ... +30°C / 50°F ... +86°F

Light application	Standard
CRI	CRI90
CCT [K]	3000K

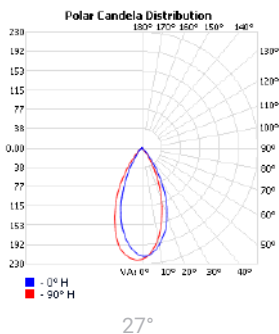
CRI - Color rendering, CCT - Color temperature

TOLERANCES

Luminous flux tolerances: -/+ 5%

Consumption tolerance: -/+ 5% for Non-DALI | -/+ 10% for Non-DALI & KIT EM | -/+ 10% for DALI | -/+ 15% for DALI & KIT EM

LIGHT DISTRIBUTION



SKU SPECIFICATIONS

Product Code	Dimensions (mm)	CCT (K)	Lumens (lm)	Power (W)	Eff. (lm/watt)	Lens Angle (°)
CRI 90						
1F9460 Stiletto P/3000/7W/90/A27/24V/Brass	Ø15 x H600 mm ± 1mm	3000	150	7W	22	27°
1F9461 Stiletto P/3000/7W/90/A27/24V/White	Ø15 x H600 mm ± 1mm	3000	150	7W	22	27°
1F9462 Stiletto P/3000/7W/90/A27/24V/Black	Ø15 x H600 mm ± 1mm	3000	150	7W	22	27°
1F9463 Stiletto P/4000/7W/90/A27/24V/Brass	Ø15 x H600 mm ± 1mm	4000	150	7W	22	27°
1F9464 Stiletto P/4000/7W/90/A27/24V/White	Ø15 x H600 mm ± 1mm	4000	150	7W	22	27°
1F9465 Stiletto P/4000/7W/90/A27/24V/Black	Ø15 x H600 mm ± 1mm	4000	150	7W	22	27°
1F9466 Stiletto P/6500/7W/90/A27/24V/Brass	Ø15 x H600 mm ± 1mm	6500	150	7W	22	27°
1F9467 Stiletto P/6500/7W/90/A27/24V/White	Ø15 x H600 mm ± 1mm	6500	150	7W	22	27°
1F9468 Stiletto P/6500/7W/90/A27/24V/Black	Ø15 x H600 mm ± 1mm	6500	150	7W	22	27°