



Stiletto A - 5

SURFACE MOUNTED | NON-DALI SERIES

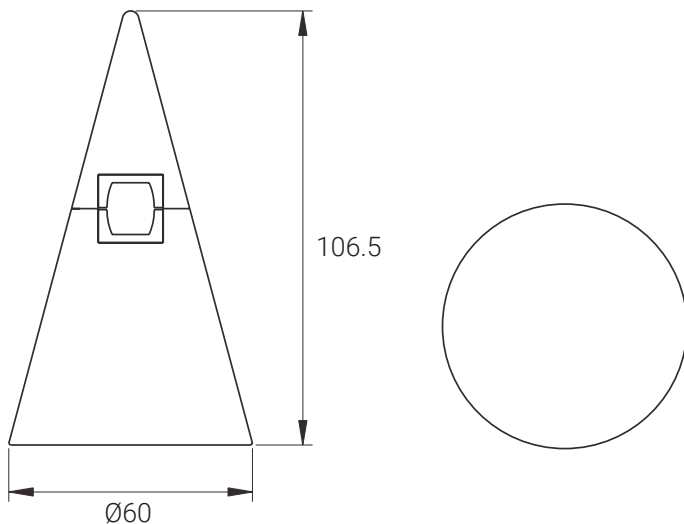
Step into a realm of refined illumination with Stiletto, a collection that combines the allure of golden aesthetics with the precision of LED technology.

FEATURES & BENEFITS

- CRI > 90 as standard
- Color temperatures: 3000K
- Beam angles: 120°
- Luminaire efficiency: 32lm/W @3000K
- Output power: 5W

APPLICATION

High End Grocery & Supermarkets | Fashion Retailers | Art & Exhibitions | DIY



SPECIFICATIONS

Mounting type	Magnetic track mounted luminaires
Power consumption	5W
Dimensions	Ø60 x H106.5mm ± 1mm
Housing materials	Aluminium, Acrylic
IK code	IK00
Protection class	Safety class 1
Operating temperature [°C]	-20°C ... +40°C / -4F ... +104F
Operating humidity [%]	20 ÷ 90
AC Input [Vac]	220 - 240 VAC (Driver included)
Output [Vdc]	24 VDC
Lens angle [°]	120°
Lifespan [h]	50.000
Housing color	Brass, White ,Black
Lumen maintenance	L70/B30@50.000h at 25°C
IP factor	IP20
Control option	-
Warranty [years]	3
Storage temperature range [°C]	10°C ... +30°C / 50°F ... +86°F

Light application	Standard
CRI	CRI90
CCT [K]	3000K

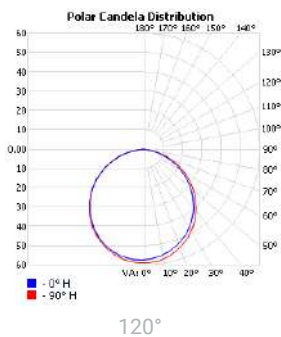
CRI - Color rendering, CCT - Color temperature

TOLERANCES

Luminous flux tolerances: -/+ 5%

Consumption tolerance: -/+ 5% for Non-DALI | -/+ 10% for Non-DALI & KIT EM | -/+ 10% for DALI | -/+ 15% for DALI & KIT EM

LIGHT DISTRIBUTION



SKU SPECIFICATIONS

Product Code	Dimensions (mm)	CCT (K)	Lumens (lm)	Power (W)	Eff. (lm/watt)	Lens Angle (°)
CRI 90						
1F9100 Stiletto A5/3000/5W/90/A120/24V/Brass	Ø60 x H106.5mm ± 1mm	3000	160	5W	32	120°
1F9101 Stiletto A5/3000/5W/90/A120/24V/White	Ø60 x H106.5mm ± 1mm	3000	160	5W	32	120°
1F9102 Stiletto A5/3000/5W/90/A120/24V/Black	Ø60 x H106.5mm ± 1mm	3000	160	5W	32	120°
1F9103 Stiletto A5/4000/5W/90/A120/24V/Brass	Ø60 x H106.5mm ± 1mm	4000	160	5W	32	120°
1F9104 Stiletto A5/4000/5W/90/A120/24V/White	Ø60 x H106.5mm ± 1mm	4000	160	5W	32	120°
1F9105 Stiletto A5/4000/5W/90/A120/24V/Black	Ø60 x H106.5mm ± 1mm	4000	160	5W	32	120°
1F9106 Stiletto A5/6500/5W/90/A120/24V/Brass	Ø60 x H106.5mm ± 1mm	6500	160	5W	32	120°
1F9107 Stiletto A5/6500/5W/90/A120/24V/White	Ø60 x H106.5mm ± 1mm	6500	160	5W	32	120°
1F9108 Stiletto A5/6500/5W/90/A120/24V/Black	Ø60 x H106.5mm ± 1mm	6500	160	5W	32	120°



Stiletto B - 5

SURFACE MOUNTED | NON-DALI SERIES

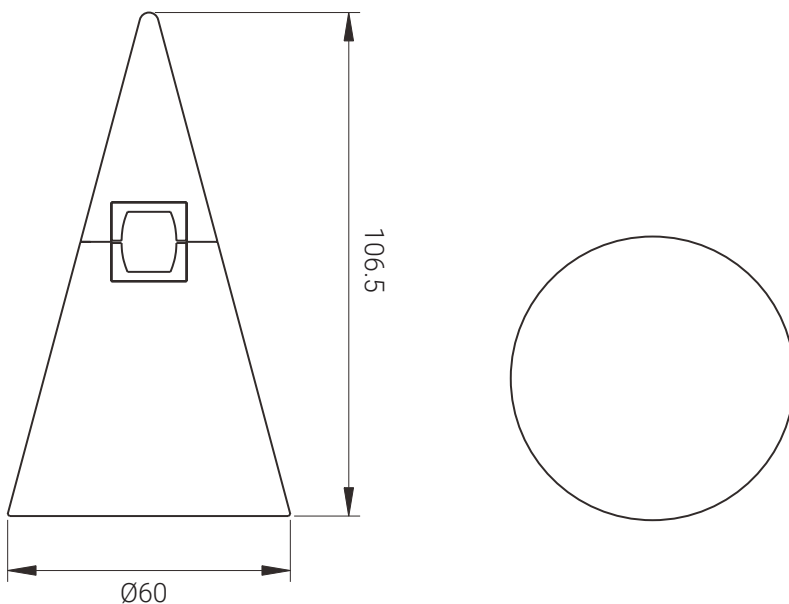
Step into a realm of refined illumination with Stiletto, a collection that combines the allure of golden aesthetics with the precision of LED technology.

FEATURES & BENEFITS

- CRI > 90 as standard
- Color temperatures: 3000K
- Beam angles: 25°, 38°
- Luminaire efficiency: 24lm/W @3000K
- Output power: 5W

APPLICATION

High End Grocery & Supermarkets | Fashion Retailers | Art & Exhibitions | DIY



SPECIFICATIONS

Mounting type	Magnetic track mounted luminaires
Power consumption	5W
Dimensions	Ø60 x H106.5mm ± 1mm
Housing materials	Aluminium, Acrylic
IK code	IK00
Protection class	Safety class 1
Operating temperature [°C]	-20°C ... +40°C / -4F ... +104F
Operating humidity [%]	20 ÷ 90
AC Input [Vac]	220 - 240 VAC (Driver included)
Output [Vdc]	24 VDC
Lens angle [°]	25°, 38°
Lifespan [h]	50.000
Housing color	Brass, White ,Black
Lumen maintenance	L70/B30@50.000h at 25°C
IP factor	IP20
Control option	-
Warranty [years]	3
Storage temperature range [°C]	10°C ... +30°C / 50°F ... +86°F

Light application	Standard
CRI	CRI90
CCT [K]	3000K

CRI - Color rendering, CCT - Color temperature

TOLERANCES

Luminous flux tolerances: -/+ 5%

Consumption tolerance: -/+ 5% for Non-DALI | -/+ 10% for Non-DALI & KIT EM | -/+ 10% for DALI | -/+ 15% for DALI & KIT EM

LIGHT DISTRIBUTION

SKU SPECIFICATIONS

Product Code	Dimensions (mm)	CCT (K)	Lumens (lm)	Power (W)	Eff. (lm/watt)	Lens Angle (°)
CRI 90						
1F9109 Stiletto B5/3000/5W/90/A25/24V/Brass	Ø60 x H106.5mm ± 1mm	3000	120	5W	24	25°
1F9110 Stiletto B5/3000/5W/90/A25/24V/White	Ø60 x H106.5mm ± 1mm	3000	120	5W	24	25°
1F9111 Stiletto B5/3000/5W/90/A25/24V/Black	Ø60 x H106.5mm ± 1mm	3000	120	5W	24	25°
1F9112 Stiletto B5/4000/5W/90/A25/24V/Brass	Ø60 x H106.5mm ± 1mm	4000	120	5W	24	25°
1F9113 Stiletto B5/4000/5W/90/A25/24V/White	Ø60 x H106.5mm ± 1mm	4000	120	5W	24	25°
1F9114 Stiletto B5/4000/5W/90/A25/24V/Black	Ø60 x H106.5mm ± 1mm	4000	120	5W	24	25°
1F9115 Stiletto B5/6500/5W/90/A25/24V/Brass	Ø60 x H106.5mm ± 1mm	6500	120	5W	24	25°
1F9116 Stiletto B5/6500/5W/90/A25/24V/White	Ø60 x H106.5mm ± 1mm	6500	120	5W	24	25°
1F9117 Stiletto B5/6500/5W/90/A25/24V/Black	Ø60 x H106.5mm ± 1mm	6500	120	5W	24	25°
1F9118 Stiletto B5/3000/5W/90/A38/24V/Brass	Ø60 x H106.5mm ± 1mm	3000	120	5W	24	38°
1F9119 Stiletto B5/3000/5W/90/A38/24V/White	Ø60 x H106.5mm ± 1mm	3000	120	5W	24	38°
1F9120 Stiletto B5/3000/5W/90/A38/24V/Black	Ø60 x H106.5mm ± 1mm	3000	120	5W	24	38°
1F9121 Stiletto B5/4000/5W/90/A38/24V/Brass	Ø60 x H106.5mm ± 1mm	4000	120	5W	24	38°
1F9122 Stiletto B5/4000/5W/90/A38/24V/White	Ø60 x H106.5mm ± 1mm	4000	120	5W	24	38°
1F9123 Stiletto B5/4000/5W/90/A38/24V/Black	Ø60 x H106.5mm ± 1mm	4000	120	5W	24	38°
1F9124 Stiletto B5/6500/5W/90/A38/24V/Brass	Ø60 x H106.5mm ± 1mm	6500	120	5W	24	38°
1F9125 Stiletto B5/6500/5W/90/A38/24V/White	Ø60 x H106.5mm ± 1mm	6500	120	5W	24	38°
1F9126 Stiletto B5/6500/5W/90/A38/24V/Black	Ø60 x H106.5mm ± 1mm	6500	120	5W	24	38°



Stiletto C - 5

SURFACE MOUNTED | NON-DALI SERIES

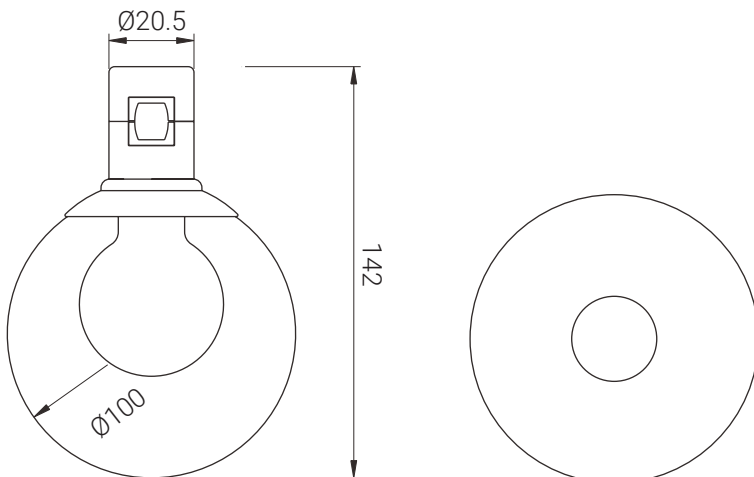
Step into a realm of refined illumination with Stiletto, a collection that combines the allure of golden aesthetics with the precision of LED technology.

FEATURES & BENEFITS

- CRI > 90 as standard
- Color temperatures: 3000K
- Beam angles: 120°
- Luminaire efficiency: 39lm/W @3000K
- Output power: 5W

APPLICATION

High End Grocery & Supermarkets | Fashion Retailers | Art & Exhibitions | DIY



SPECIFICATIONS

Mounting type	Magnetic track mounted luminaires
Power consumption	5W
Dimensions	Ø100 x H142mm ± 1mm
Housing materials	Aluminium, Acrylic
IK code	IK00
Protection class	Safety class 1
Operating temperature [°C]	-20°C ... +40°C / -4F ... +104F
Operating humidity [%]	20 ÷ 90
AC Input [Vac]	220 - 240 VAC (Driver included)
Output [Vdc]	24 VDC
Lens angle [°]	120°
Lifespan [h]	50.000
Housing color	Brass, White ,Black
Lumen maintenance	L70/B30@50.000h at 25°C
IP factor	IP20
Control option	-
Warranty [years]	3
Storage temperature range [°C]	10°C ... +30°C / 50°F ... +86°F

Light application	Standard
CRI	CRI90
CCT [K]	3000K

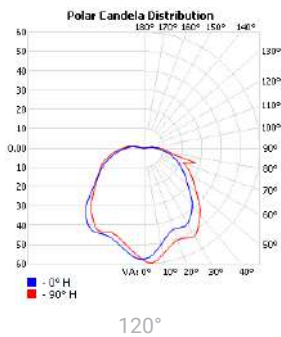
CRI - Color rendering, CCT - Color temperature

TOLERANCES

Luminous flux tolerances: -/+ 5%

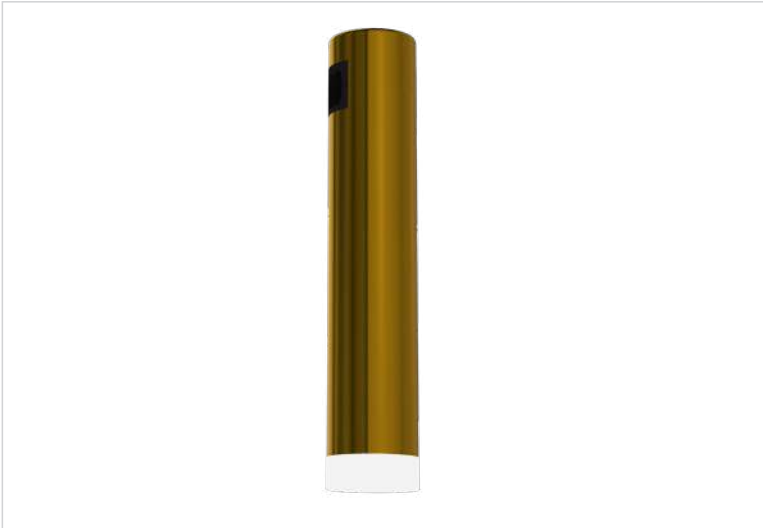
Consumption tolerance: -/+ 5% for Non-DALI | -/+ 10% for Non-DALI & KIT EM | -/+ 10% for DALI | -/+ 15% for DALI & KIT EM

LIGHT DISTRIBUTION



SKU SPECIFICATIONS

Product Code	Dimensions (mm)	CCT (K)	Lumens (lm)	Power (W)	Eff. (lm/watt)	Lens Angle (°)
CRI 90						
1F9127 Stiletto C5/3000/5W/90/A120/24V/Brass	Ø100 x H142mm ± 1mm	3000	195	5W	39	120°
1F9128 Stiletto C5/3000/5W/90/A120/24V/White	Ø100 x H142mm ± 1mm	3000	195	5W	39	120°
1F9129 Stiletto C5/3000/5W/90/A120/24V/Black	Ø100 x H142mm ± 1mm	3000	195	5W	39	120°
1F9130 Stiletto C5/4000/5W/90/A120/24V/Brass	Ø100 x H142mm ± 1mm	4000	195	5W	39	120°
1F9131 Stiletto C5/4000/5W/90/A120/24V/White	Ø100 x H142mm ± 1mm	4000	195	5W	39	120°
1F9132 Stiletto C5/4000/5W/90/A120/24V/Black	Ø100 x H142mm ± 1mm	4000	195	5W	39	120°
1F9133 Stiletto C5/6500/5W/90/A120/24V/Brass	Ø100 x H142mm ± 1mm	6500	195	5W	39	120°
1F9134 Stiletto C5/6500/5W/90/A120/24V/White	Ø100 x H142mm ± 1mm	6500	195	5W	39	120°
1F9135 Stiletto C5/6500/5W/90/A120/24V/Black	Ø100 x H142mm ± 1mm	6500	195	5W	39	120°



Stiletto D - 5

SURFACE MOUNTED | NON-DALI SERIES

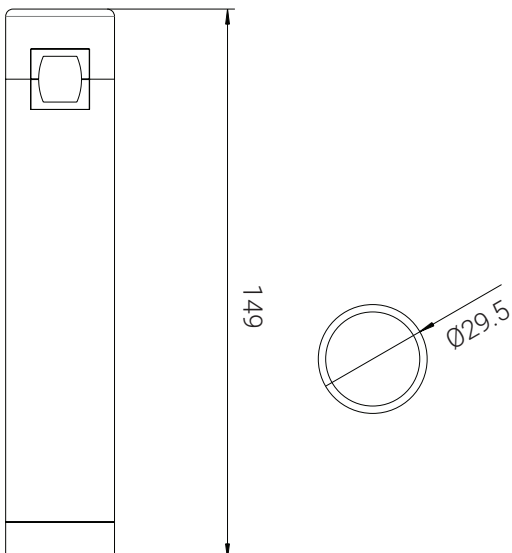
Step into a realm of refined illumination with Stiletto, a collection that combines the allure of golden aesthetics with the precision of LED technology.

FEATURES & BENEFITS

- CRI > 90 as standard
- Color temperatures: 3000K
- Beam angles: 120°
- Luminaire efficiency: 21lm/W @3000K
- Output power: 5W

APPLICATION

High End Grocery & Supermarkets | Fashion Retailers | Art & Exhibitions | DIY



SPECIFICATIONS

Mounting type	Magnetic track mounted luminaires
Power consumption	5W
Dimensions	Ø29.5 x H149mm ± 1mm
Housing materials	Aluminium, Acrylic
IK code	IK00
Protection class	Safety class 1
Operating temperature [°C]	-20°C ... +40°C / -4F ... +104F
Operating humidity [%]	20 ÷ 90
AC Input [Vac]	220 - 240 VAC (Driver included)
Output [Vdc]	24 VDC
Lens angle [°]	120°
Lifespan [h]	50.000
Housing color	Brass, White ,Black
Lumen maintenance	L70/B30@50.000h at 25°C
IP factor	IP20
Control option	-
Warranty [years]	3
Storage temperature range [°C]	10°C ... +30°C / 50°F ... +86°F

Light application	Standard
CRI	CRI90
CCT [K]	3000K

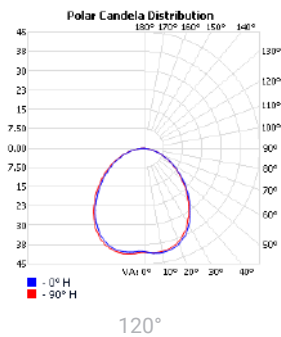
CRI - Color rendering, CCT - Color temperature

TOLERANCES

Luminous flux tolerances: -/+ 5%

Consumption tolerance: -/+ 5% for Non-DALI | -/+ 10% for Non-DALI & KIT EM | -/+ 10% for DALI | -/+ 15% for DALI & KIT EM

LIGHT DISTRIBUTION



SKU SPECIFICATIONS

Product Code	Dimensions (mm)	CCT (K)	Lumens (lm)	Power (W)	Eff. (lm/watt)	Lens Angle (°)
CRI 90						
1F9136 Stiletto D5/3000/5W/90/A120/24V/Brass	Ø29.5 x H149mm ± 1mm	3000	105	5W	21	120°
1F9137 Stiletto D5/3000/5W/90/A120/24V/White	Ø29.5 x H149mm ± 1mm	3000	105	5W	21	120°
1F9138 Stiletto D5/3000/5W/90/A120/24V/Black	Ø29.5 x H149mm ± 1mm	3000	105	5W	21	120°
1F9139 Stiletto D5/4000/5W/90/A120/24V/Brass	Ø29.5 x H149mm ± 1mm	4000	105	5W	21	120°
1F9140 Stiletto D5/4000/5W/90/A120/24V/White	Ø29.5 x H149mm ± 1mm	4000	105	5W	21	120°
1F9141 Stiletto D5/4000/5W/90/A120/24V/Black	Ø29.5 x H149mm ± 1mm	4000	105	5W	21	120°
1F9142 Stiletto D5/6500/5W/90/A120/24V/Brass	Ø29.5 x H149mm ± 1mm	6500	105	5W	21	120°
1F9143 Stiletto D5/6500/5W/90/A120/24V/White	Ø29.5 x H149mm ± 1mm	6500	105	5W	21	120°
1F9144 Stiletto D5/6500/5W/90/A120/24V/Black	Ø29.5 x H149mm ± 1mm	6500	105	5W	21	120°



Stiletto E - 5

SURFACE MOUNTED | NON-DALI SERIES

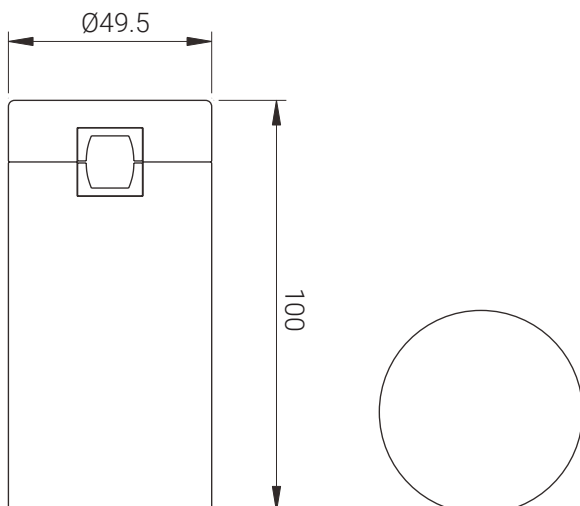
Step into a realm of refined illumination with Stiletto, a collection that combines the allure of golden aesthetics with the precision of LED technology.

FEATURES & BENEFITS

- CRI > 90 as standard
- Color temperatures: 3000K
- Beam angles: 25°, 38°
- Luminaire efficiency: 53lm/W @3000K
- Output power: 7W

APPLICATION

High End Grocery & Supermarkets | Fashion Retailers | Art & Exhibitions | DIY



SPECIFICATIONS

Mounting type	Magnetic track mounted luminaires
Power consumption	7W
Dimensions	Ø49.5 x H100mm ± 1mm
Housing materials	Aluminium, Acrylic
IK code	IK00
Protection class	Safety class 1
Operating temperature [°C]	-20°C ... +40°C / -4F ... +104F
Operating humidity [%]	20 ÷ 90
AC Input [Vac]	220 - 240 VAC (Driver included)
Output [Vdc]	24 VDC
Lens angle [°]	25°, 38°
Lifespan [h]	50.000
Housing color	Brass, White ,Black
Lumen maintenance	L70/B30@50.000h at 25°C
IP factor	IP20
Control option	-
Warranty [years]	3
Storage temperature range [°C]	10°C ... +30°C / 50°F ... +86°F

Light application	Standard
CRI	CRI90
CCT [K]	3000K

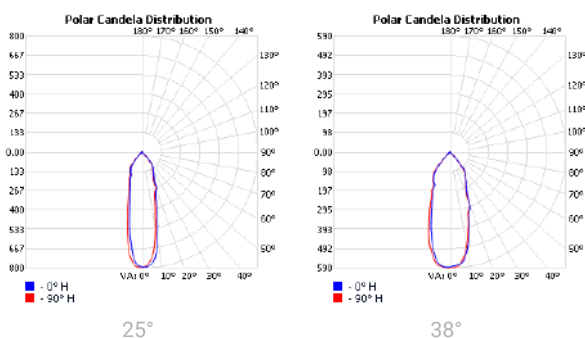
CRI - Color rendering, CCT - Color temperature

TOLERANCES

Luminous flux tolerances: -/+ 5%

Consumption tolerance: -/+ 5% for Non-DALI | -/+ 10% for Non-DALI & KIT EM | -/+ 10% for DALI | -/+ 15% for DALI & KIT EM

LIGHT DISTRIBUTION



SKU SPECIFICATIONS

Product Code	Dimensions (mm)	CCT (K)	Lumens (lm)	Power (W)	Eff. (lm/watt)	Lens Angle (°)
CRI 90						
1F9145 Stiletto E5/3000/7W/90/A25/24V/Brass	Ø49.5 x H100mm ± 1mm	3000	365	7W	53	25°
1F9146 Stiletto E5/3000/7W/90/A25/24V/White	Ø49.5 x H100mm ± 1mm	3000	365	7W	53	25°
1F9147 Stiletto E5/3000/7W/90/A25/24V/Black	Ø49.5 x H100mm ± 1mm	3000	365	7W	53	25°
1F9148 Stiletto E5/4000/7W/90/A25/24V/Brass	Ø49.5 x H100mm ± 1mm	4000	365	7W	53	25°
1F9149 Stiletto E5/4000/7W/90/A25/24V/White	Ø49.5 x H100mm ± 1mm	4000	365	7W	53	25°
1F9150 Stiletto E5/4000/7W/90/A25/24V/Black	Ø49.5 x H100mm ± 1mm	4000	365	7W	53	25°
1F9151 Stiletto E5/6500/7W/90/A25/24V/Brass	Ø49.5 x H100mm ± 1mm	6500	365	7W	53	25°
1F9152 Stiletto E5/6500/7W/90/A25/24V/White	Ø49.5 x H100mm ± 1mm	6500	365	7W	53	25°
1F9153 Stiletto E5/6500/7W/90/A25/24V/Black	Ø49.5 x H100mm ± 1mm	6500	365	7W	53	25°
1F9154 Stiletto E5/3000/7W/90/A38/24V/Brass	Ø49.5 x H100mm ± 1mm	3000	365	7W	53	38°
1F9155 Stiletto E5/3000/7W/90/A38/24V/White	Ø49.5 x H100mm ± 1mm	3000	365	7W	53	38°
1F9156 Stiletto E5/3000/7W/90/A38/24V/Black	Ø49.5 x H100mm ± 1mm	3000	365	7W	53	38°
1F9157 Stiletto E5/4000/7W/90/A38/24V/Brass	Ø49.5 x H100mm ± 1mm	4000	365	7W	53	38°
1F9158 Stiletto E5/4000/7W/90/A38/24V/White	Ø49.5 x H100mm ± 1mm	4000	365	7W	53	38°
1F9159 Stiletto E5/4000/7W/90/A38/24V/Black	Ø49.5 x H100mm ± 1mm	4000	365	7W	53	38°
1F9160 Stiletto E5/6500/7W/90/A38/24V/Brass	Ø49.5 x H100mm ± 1mm	6500	365	7W	53	38°
1F9161 Stiletto E5/6500/7W/90/A38/24V/White	Ø49.5 x H100mm ± 1mm	6500	365	7W	53	38°
1F9162 Stiletto E5/6500/7W/90/A38/24V/Black	Ø49.5 x H100mm ± 1mm	6500	365	7W	53	38°



Stiletto F - 5

SURFACE MOUNTED | NON-DALI SERIES

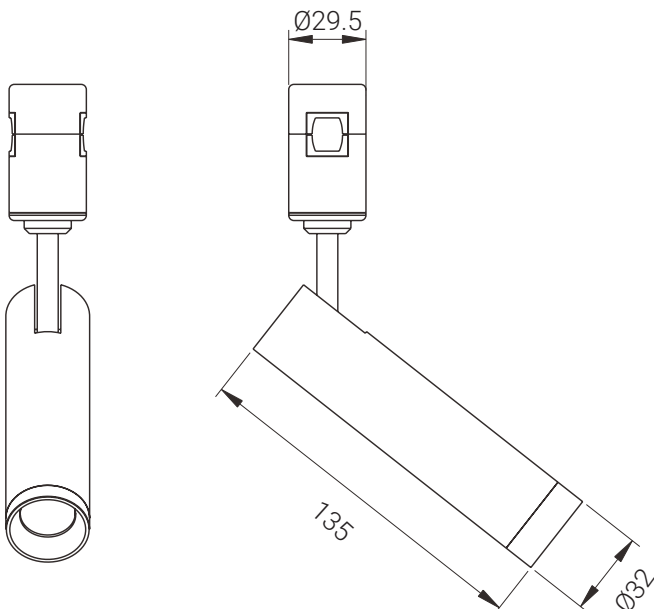
Step into a realm of refined illumination with Stiletto, a collection that combines the allure of golden aesthetics with the precision of LED technology.

FEATURES & BENEFITS

- CRI > 90 as standard
- Color temperatures: 3000K
- Beam angles: 35°, 45°
- Luminaire efficiency: 88lm/W @3000K
- Output power: 4W

APPLICATION

High End Grocery & Supermarkets | Fashion Retailers | Art & Exhibitions | DIY



SPECIFICATIONS

Mounting type	Magnetic track mounted luminaires
Power consumption	4W
Dimensions	Ø49.5 x H100mm ± 1mm
Housing materials	Aluminium, Acrylic
IK code	IK00
Protection class	Safety class 1
Operating temperature [°C]	-20°C ... +40°C / -4F ... +104F
Operating humidity [%]	20 ÷ 90
AC Input [Vac]	220 - 240 VAC (Driver included)
Output [Vdc]	24 VDC
Lens angle [°]	35°, 45°
Lifespan [h]	50.000
Housing color	Brass, White ,Black
Lumen maintenance	L70/B30@50.000h at 25°C
IP factor	IP20
Control option	-
Warranty [years]	3
Storage temperature range [°C]	10°C ... +30°C / 50°F ... +86°F

Light application	Standard
CRI	CRI90
CCT [K]	3000K

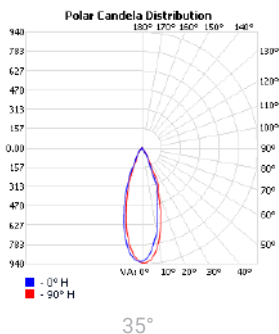
CRI - Color rendering, CCT - Color temperature

TOLERANCES

Luminous flux tolerances: -/+ 5%

Consumption tolerance: -/+ 5% for Non-DALI | -/+ 10% for Non-DALI & KIT EM | -/+ 10% for DALI | -/+ 15% for DALI & KIT EM

LIGHT DISTRIBUTION



SKU SPECIFICATIONS

Product Code	Dimensions (mm)	CCT (K)	Lumens (lm)	Power (W)	Eff. (lm/watt)	Lens Angle (°)
CRI 90						
1F9163 Stiletto F5/3000/4W/90/A35/24V/Brass	Ø32 x H135mm ± 1mm	3000	350	4W	88	35°
1F9164 Stiletto F5/3000/4W/90/A35/24V/White	Ø32 x H135mm ± 1mm	3000	350	4W	88	35°
1F9165 Stiletto F5/3000/4W/90/A35/24V/Black	Ø32 x H135mm ± 1mm	3000	350	4W	88	35°
1F9166 Stiletto F5/4000/4W/90/A35/24V/Brass	Ø32 x H135mm ± 1mm	4000	350	4W	88	35°
1F9167 Stiletto F5/4000/4W/90/A35/24V/White	Ø32 x H135mm ± 1mm	4000	350	4W	88	35°
1F9168 Stiletto F5/4000/4W/90/A35/24V/Black	Ø32 x H135mm ± 1mm	4000	350	4W	88	35°
1F9169 Stiletto F5/6500/4W/90/A35/24V/Brass	Ø32 x H135mm ± 1mm	6500	350	4W	88	35°
1F9170 Stiletto F5/6500/4W/90/A35/24V/White	Ø32 x H135mm ± 1mm	6500	350	4W	88	35°
1F9171 Stiletto F5/6500/4W/90/A35/24V/Black	Ø32 x H135mm ± 1mm	6500	350	4W	88	35°
1F9172 Stiletto F5/3000/4W/90/A45/24V/Brass	Ø32 x H135mm ± 1mm	3000	350	4W	88	45°
1F9173 Stiletto F5/3000/4W/90/A45/24V/White	Ø32 x H135mm ± 1mm	3000	350	4W	88	45°
1F9174 Stiletto F5/3000/4W/90/A45/24V/Black	Ø32 x H135mm ± 1mm	3000	350	4W	88	45°
1F9175 Stiletto F5/4000/4W/90/A45/24V/Brass	Ø32 x H135mm ± 1mm	4000	350	4W	88	45°
1F9176 Stiletto F5/4000/4W/90/A45/24V/White	Ø32 x H135mm ± 1mm	4000	350	4W	88	45°
1F9177 Stiletto F5/4000/4W/90/A45/24V/Black	Ø32 x H135mm ± 1mm	4000	350	4W	88	45°
1F9178 Stiletto F5/6500/4W/90/A45/24V/Brass	Ø32 x H135mm ± 1mm	6500	350	4W	88	45°
1F9179 Stiletto F5/6500/4W/90/A45/24V/White	Ø32 x H135mm ± 1mm	6500	350	4W	88	45°
1F9180 Stiletto F5/6500/4W/90/A45/24V/Black	Ø32 x H135mm ± 1mm	6500	350	4W	88	45°



Stiletto G - 5

SURFACE MOUNTED | NON-DALI SERIES

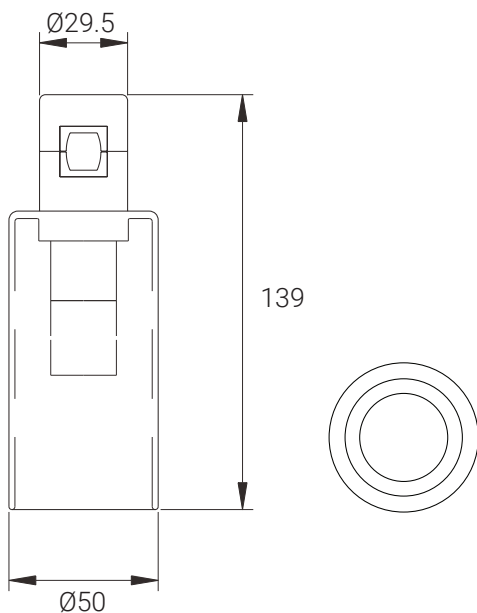
Step into a realm of refined illumination with Stiletto, a collection that combines the allure of golden aesthetics with the precision of LED technology.

FEATURES & BENEFITS

- CRI > 90 as standard
- Color temperatures: 3000K
- Beam angles: 120°
- Luminaire efficiency: 25lm/W @3000K
- Output power: 5W

APPLICATION

High End Grocery & Supermarkets | Fashion Retailers | Art & Exhibitions | DIY



SPECIFICATIONS

Mounting type	Magnetic track mounted luminaires
Power consumption	5W
Dimensions	Ø50 x H139mm ± 1mm
Housing materials	Aluminium, Acrylic
IK code	IK00
Protection class	Safety class 1
Operating temperature [°C]	-20°C ... +40°C / -4F ... +104F
Operating humidity [%]	20 ÷ 90
AC Input [Vac]	220 - 240 VAC (Driver included)
Output [Vdc]	24 VDC
Lens angle [°]	120°
Lifespan [h]	50.000
Housing color	Brass, White ,Black
Lumen maintenance	L70/B30@50.000h at 25°C
IP factor	IP20
Control option	-
Warranty [years]	3
Storage temperature range [°C]	10°C ... +30°C / 50°F ... +86°F

Light application	Standard
CRI	CRI90
CCT [K]	3000K

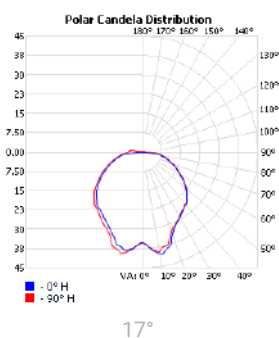
CRI - Color rendering, CCT - Color temperature

TOLERANCES

Luminous flux tolerances: -/+ 5%

Consumption tolerance: -/+ 5% for Non-DALI | -/+ 10% for Non-DALI & KIT EM | -/+ 10% for DALI | -/+ 15% for DALI & KIT EM

LIGHT DISTRIBUTION



SKU SPECIFICATIONS

Product Code	Dimensions (mm)	CCT (K)	Lumens (lm)	Power (W)	Eff. (lm/watt)	Lens Angle (°)
CRI 90						
1F9181 Stiletto G5/3000/5W/90/A120/24V/Brass	Ø50 x H139mm ± 1mm	3000	125	5W	25	120°
1F9182 Stiletto G5/3000/5W/90/A120/24V/White	Ø50 x H139mm ± 1mm	3000	125	5W	25	120°
1F9183 Stiletto G5/3000/5W/90/A120/24V/Black	Ø50 x H139mm ± 1mm	3000	125	5W	25	120°
1F9184 Stiletto G5/4000/5W/90/A120/24V/Brass	Ø50 x H139mm ± 1mm	4000	125	5W	25	120°
1F9185 Stiletto G5/4000/5W/90/A120/24V/White	Ø50 x H139mm ± 1mm	4000	125	5W	25	120°
1F9186 Stiletto G5/4000/5W/90/A120/24V/Black	Ø50 x H139mm ± 1mm	4000	125	5W	25	120°
1F9187 Stiletto G5/6500/5W/90/A120/24V/Brass	Ø50 x H139mm ± 1mm	6500	125	5W	25	120°
1F9188 Stiletto G5/6500/5W/90/A120/24V/White	Ø50 x H139mm ± 1mm	6500	125	5W	25	120°
1F9189 Stiletto G5/6500/5W/90/A120/24V/Black	Ø50 x H139mm ± 1mm	6500	125	5W	25	120°



Stiletto H - 5

SURFACE MOUNTED | NON-DALI SERIES

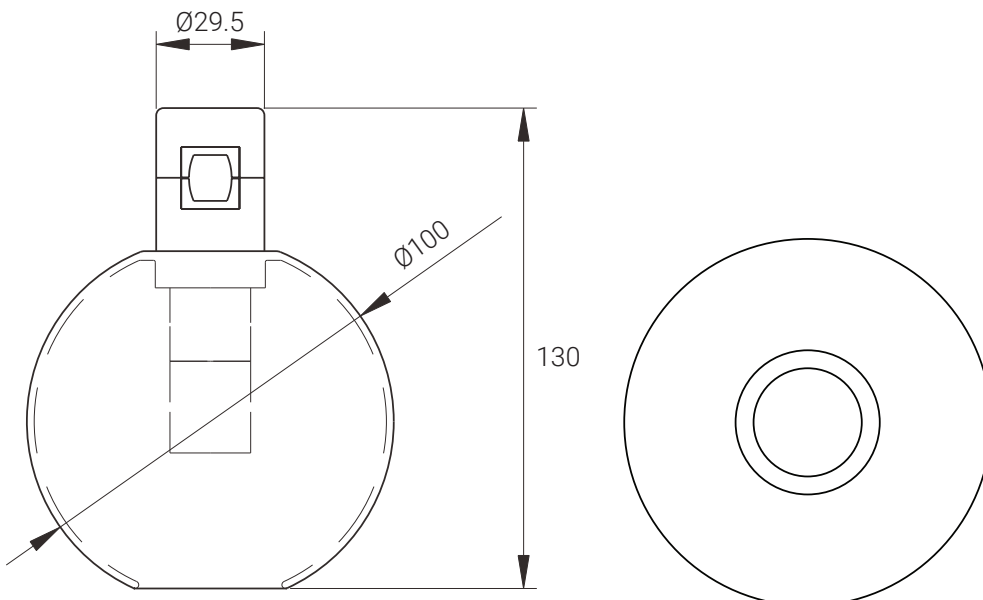
Step into a realm of refined illumination with Stiletto, a collection that combines the allure of golden aesthetics with the precision of LED technology.

FEATURES & BENEFITS

- CRI > 90 as standard
- Color temperatures: 3000K
- Beam angles: 120°
- Luminaire efficiency: 24lm/W @3000K
- Output power: 5W

APPLICATION

High End Grocery & Supermarkets | Fashion Retailers | Art & Exhibitions | DIY



SPECIFICATIONS

Mounting type	Magnetic track mounted luminaires
Power consumption	5W
Dimensions	Ø100 x H130mm ± 1mm
Housing materials	Aluminium, Acrylic
IK code	IK00
Protection class	Safety class 1
Operating temperature [°C]	-20°C ... +40°C / -4F ... +104F
Operating humidity [%]	20 ÷ 90
AC Input [Vac]	220 - 240 VAC (Driver included)
Output [Vdc]	24 VDC
Lens angle [°]	120°
Lifespan [h]	50.000
Housing color	Brass, White ,Black
Lumen maintenance	L70/B30@50.000h at 25°C
IP factor	IP20
Control option	-
Warranty [years]	3
Storage temperature range [°C]	10°C ... +30°C / 50°F ... +86°F

Light application	Standard
CRI	CRI90
CCT [K]	3000K

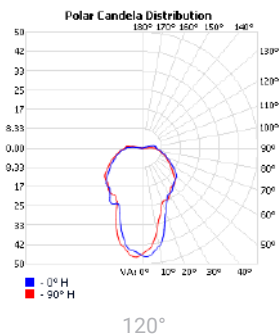
CRI - Color rendering, CCT - Color temperature

TOLERANCES

Luminous flux tolerances: -/+ 5%

Consumption tolerance: -/+ 5% for Non-DALI | -/+ 10% for Non-DALI & KIT EM | -/+ 10% for DALI | -/+ 15% for DALI & KIT EM

LIGHT DISTRIBUTION



SKU SPECIFICATIONS

Product Code	Dimensions (mm)	CCT (K)	Lumens (lm)	Power (W)	Eff. (lm/watt)	Lens Angle (°)
CRI 90						
1F9190 Stiletto H5/3000/5W/90/A120/24V/Brass	Ø100 x H130mm ± 1mm	3000	120	5W	24	120°
1F9191 Stiletto H5/3000/5W/90/A120/24V/White	Ø100 x H130mm ± 1mm	3000	120	5W	24	120°
1F9192 Stiletto H5/3000/5W/90/A120/24V/Black	Ø100 x H130mm ± 1mm	3000	120	5W	24	120°
1F9193 Stiletto H5/4000/5W/90/A120/24V/Brass	Ø100 x H130mm ± 1mm	4000	120	5W	24	120°
1F9194 Stiletto H5/4000/5W/90/A120/24V/White	Ø100 x H130mm ± 1mm	4000	120	5W	24	120°
1F9195 Stiletto H5/4000/5W/90/A120/24V/Black	Ø100 x H130mm ± 1mm	4000	120	5W	24	120°
1F9196 Stiletto H5/6500/5W/90/A120/24V/Brass	Ø100 x H130mm ± 1mm	6500	120	5W	24	120°
1F9197 Stiletto H5/6500/5W/90/A120/24V/White	Ø100 x H130mm ± 1mm	6500	120	5W	24	120°
1F9198 Stiletto H5/6500/5W/90/A120/24V/Black	Ø100 x H130mm ± 1mm	6500	120	5W	24	120°



Stiletto I - 10

SURFACE MOUNTED | NON-DALI SERIES

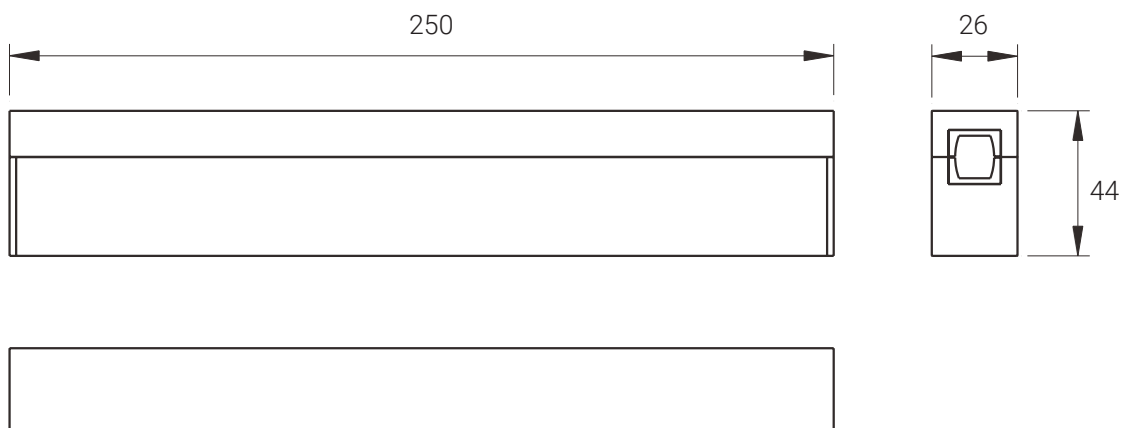
Step into a realm of refined illumination with Stiletto, a collection that combines the allure of golden aesthetics with the precision of LED technology.

FEATURES & BENEFITS

- CRI > 90 as standard
- Color temperatures: 3000K
- Beam angles: 120°
- Luminaire efficiency: 38lm/W @3000K
- Output power: 12W

APPLICATION

High End Grocery & Supermarkets | Fashion Retailers | Art & Exhibitions | DIY



SPECIFICATIONS

Mounting type	Magnetic track mounted luminaires
Power consumption	12W
Dimensions	L250 x l26 x H44mm ± 1mm
Housing materials	Aluminium, Acrylic
IK code	IK00
Protection class	Safety class 1
Operating temperature [°C]	-20°C ... +40°C / -4F ... +104F
Operating humidity [%]	20 ÷ 90
AC Input [Vac]	220 - 240 VAC (Driver included)
Output [Vdc]	24 VDC
Lens angle [°]	120°
Lifespan [h]	50.000
Housing color	Brass, White ,Black
Lumen maintenance	L70/B30@50.000h at 25°C
IP factor	IP20
Control option	-
Warranty [years]	3
Storage temperature range [°C]	10°C ... +30°C / 50°F ... +86°F

Light application	Standard
CRI	CRI90
CCT [K]	3000K

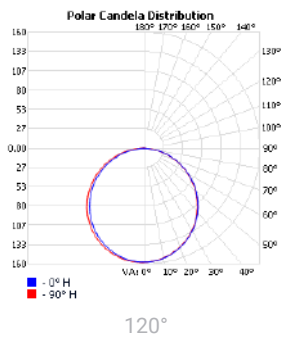
CRI - Color rendering, CCT - Color temperature

TOLERANCES

Luminous flux tolerances: -/+ 5%

Consumption tolerance: -/+ 5% for Non-DALI | -/+ 10% for Non-DALI & KIT EM | -/+ 10% for DALI | -/+ 15% for DALI & KIT EM

LIGHT DISTRIBUTION



SKU SPECIFICATIONS

Product Code	Dimensions (mm)	CCT (K)	Lumens (lm)	Power (W)	Eff. (lm/watt)	Lens Angle (°)
CRI 90						
1F9199 Stiletto I10/3000/12W/90/A120/24V/Brass	L250 x l26 x H44mm ± 1mm	3000	460	12W	39	120°
1F9200 Stiletto I10/3000/12W/90/A120/24V/White	L250 x l26 x H44mm ± 1mm	3000	460	12W	39	120°
1F9201 Stiletto I10/3000/12W/90/A120/24V/Black	L250 x l26 x H44mm ± 1mm	3000	460	12W	39	120°
1F9202 Stiletto I10/4000/12W/90/A120/24V/Brass	L250 x l26 x H44mm ± 1mm	4000	460	12W	39	120°
1F9203 Stiletto I10/4000/12W/90/A120/24V/White	L250 x l26 x H44mm ± 1mm	4000	460	12W	39	120°
1F9204 Stiletto I10/4000/12W/90/A120/24V/Black	L250 x l26 x H44mm ± 1mm	4000	460	12W	39	120°
1F9205 Stiletto I10/6500/12W/90/A120/24V/Brass	L250 x l26 x H44mm ± 1mm	6500	460	12W	39	120°
1F9206 Stiletto I10/6500/12W/90/A120/24V/White	L250 x l26 x H44mm ± 1mm	6500	460	12W	39	120°
1F9207 Stiletto I10/6500/12W/90/A120/24V/Black	L250 x l26 x H44mm ± 1mm	6500	460	12W	39	120°



Stiletto J - 5

SURFACE MOUNTED | NON-DALI SERIES

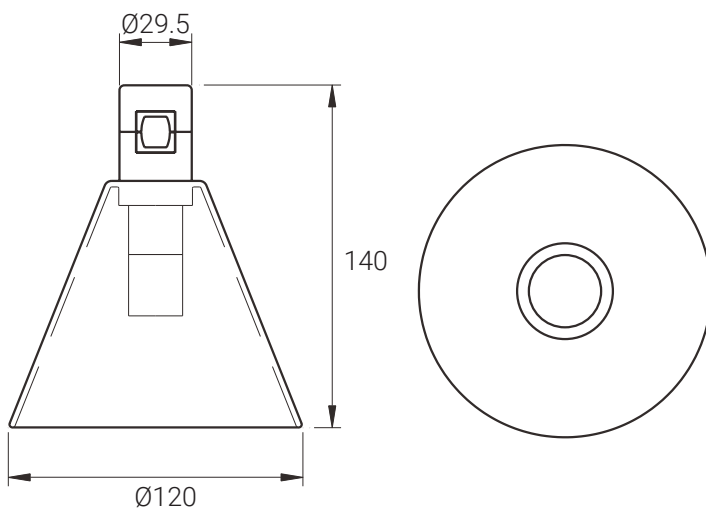
Step into a realm of refined illumination with Stiletto, a collection that combines the allure of golden aesthetics with the precision of LED technology.

FEATURES & BENEFITS

- CRI > 90 as standard
- Color temperatures: 3000K
- Beam angles: 120°
- Luminaire efficiency: 26lm/W @3000K
- Output power: 5W

APPLICATION

High End Grocery & Supermarkets | Fashion Retailers | Art & Exhibitions | DIY



SPECIFICATIONS

Mounting type	Magnetic track mounted luminaires
Power consumption	5W
Dimensions	Ø120 x H140mm ± 1mm
Housing materials	Aluminium, Acrylic
IK code	IK00
Protection class	Safety class 1
Operating temperature [°C]	-20°C ... +40°C / -4F ... +104F
Operating humidity [%]	20 ÷ 90
AC Input [Vac]	220 - 240 VAC (Driver included)
Output [Vdc]	24 VDC
Lens angle [°]	120°
Lifespan [h]	50.000
Housing color	Brass, White ,Black
Lumen maintenance	L70/B30@50.000h at 25°C
IP factor	IP20
Control option	-
Warranty [years]	3
Storage temperature range [°C]	10°C ... +30°C / 50°F ... +86°F

Light application	Standard
CRI	CRI90
CCT [K]	3000K

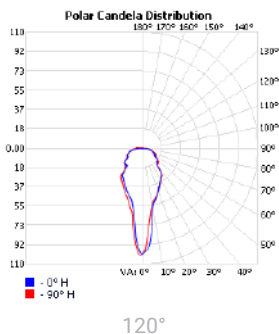
CRI - Color rendering, CCT - Color temperature

TOLERANCES

Luminous flux tolerances: -/+ 5%

Consumption tolerance: -/+ 5% for Non-DALI | -/+ 10% for Non-DALI & KIT EM | -/+ 10% for DALI | -/+ 15% for DALI & KIT EM

LIGHT DISTRIBUTION



SKU SPECIFICATIONS

Product Code	Dimensions (mm)	CCT (K)	Lumens (lm)	Power (W)	Eff. (lm/watt)	Lens Angle (°)
CRI 90						
1F9208 Stiletto J5/3000/5W/90/A120/24V/Brass	Ø120 x H140mm ± 1mm	3000	130	5W	26	120°
1F9209 Stiletto J5/3000/5W/90/A120/24V/White	Ø120 x H140mm ± 1mm	3000	130	5W	26	120°
1F9210 Stiletto J5/3000/5W/90/A120/24V/Black	Ø120 x H140mm ± 1mm	3000	130	5W	26	120°
1F9211 Stiletto J5/4000/5W/90/A120/24V/Brass	Ø120 x H140mm ± 1mm	4000	130	5W	26	120°
1F9212 Stiletto J5/4000/5W/90/A120/24V/White	Ø120 x H140mm ± 1mm	4000	130	5W	26	120°
1F9213 Stiletto J5/4000/5W/90/A120/24V/Black	Ø120 x H140mm ± 1mm	4000	130	5W	26	120°
1F9214 Stiletto J5/6500/5W/90/A120/24V/Brass	Ø120 x H140mm ± 1mm	6500	130	5W	26	120°
1F9215 Stiletto J5/6500/5W/90/A120/24V/White	Ø120 x H140mm ± 1mm	6500	130	5W	26	120°
1F9216 Stiletto J5/6500/5W/90/A120/24V/Black	Ø120 x H140mm ± 1mm	6500	130	5W	26	120°



Stiletto K - 8

SURFACE MOUNTED | NON-DALI SERIES

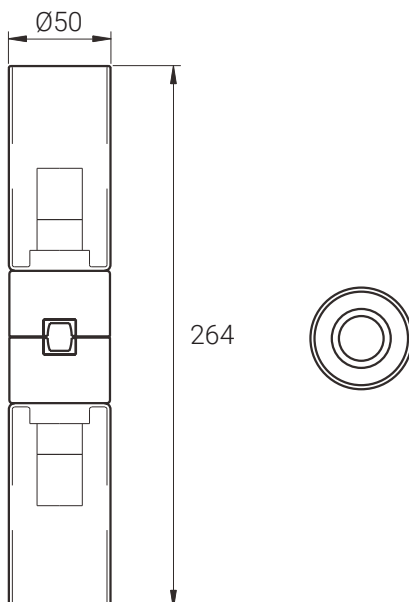
Step into a realm of refined illumination with Stiletto, a collection that combines the allure of golden aesthetics with the precision of LED technology.

FEATURES & BENEFITS

- CRI > 90 as standard
- Color temperatures: 3000K
- Beam angles: 120°
- Luminaire efficiency: 32lm/W @3000K
- Output power: 8W

APPLICATION

High End Grocery & Supermarkets | Fashion Retailers | Art & Exhibitions | DIY



SPECIFICATIONS

Mounting type	Magnetic track mounted luminaires
Power consumption	8W
Dimensions	Ø50 x H264mm ± 1mm
Housing materials	Aluminium, Acrylic
IK code	IK00
Protection class	Safety class 1
Operating temperature [°C]	-20°C ... +40°C / -4F ... +104F
Operating humidity [%]	20 ÷ 90
AC Input [Vac]	220 - 240 VAC (Driver included)
Output [Vdc]	24 VDC
Lens angle [°]	120°
Lifespan [h]	50.000
Housing color	Brass, White ,Black
Lumen maintenance	L70/B30@50.000h at 25°C
IP factor	IP20
Control option	-
Warranty [years]	3
Storage temperature range [°C]	10°C ... +30°C / 50°F ... +86°F

Light application	Standard
CRI	CRI90
CCT [K]	3000K

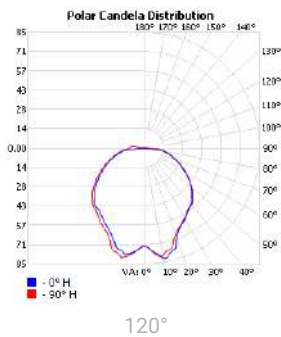
CRI - Color rendering, CCT - Color temperature

TOLERANCES

Luminous flux tolerances: -/+ 5%

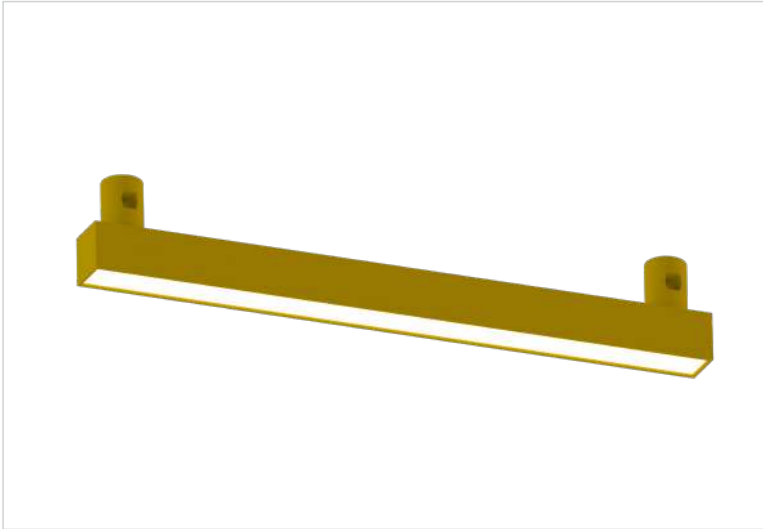
Consumption tolerance: -/+ 5% for Non-DALI | -/+ 10% for Non-DALI & KIT EM | -/+ 10% for DALI | -/+ 15% for DALI & KIT EM

LIGHT DISTRIBUTION



SKU SPECIFICATIONS

Product Code	Dimensions (mm)	CCT (K)	Lumens (lm)	Power (W)	Eff. (lm/watt)	Lens Angle (°)
CRI 90						
1F9217 Stiletto K8/3000/8W/90/A120/24V/Brass	Ø50 x H264mm ± 1mm	3000	255	8W	32	120°
1F9218 Stiletto K8/3000/8W/90/A120/24V/White	Ø50 x H264mm ± 1mm	3000	255	8W	32	120°
1F9219 Stiletto K8/3000/8W/90/A120/24V/Black	Ø50 x H264mm ± 1mm	3000	255	8W	32	120°
1F9220 Stiletto K8/4000/8W/90/A120/24V/Brass	Ø50 x H264mm ± 1mm	4000	255	8W	32	120°
1F9221 Stiletto K8/4000/8W/90/A120/24V/White	Ø50 x H264mm ± 1mm	4000	255	8W	32	120°
1F9222 Stiletto K8/4000/8W/90/A120/24V/Black	Ø50 x H264mm ± 1mm	4000	255	8W	32	120°
1F9223 Stiletto K8/6500/8W/90/A120/24V/Brass	Ø50 x H264mm ± 1mm	6500	255	8W	32	120°
1F9224 Stiletto K8/6500/8W/90/A120/24V/White	Ø50 x H264mm ± 1mm	6500	255	8W	32	120°
1F9225 Stiletto K8/6500/8W/90/A120/24V/Black	Ø50 x H264mm ± 1mm	6500	255	8W	32	120°



Stiletto L - 15

SURFACE MOUNTED | NON-DALI SERIES

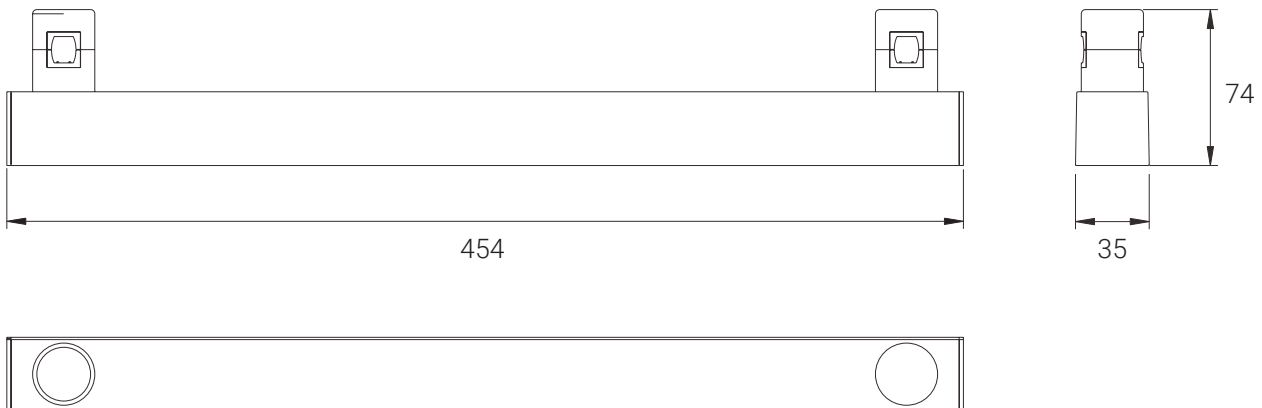
Step into a realm of refined illumination with Stiletto, a collection that combines the allure of golden aesthetics with the precision of LED technology.

FEATURES & BENEFITS

- CRI > 90 as standard
- Color temperatures: 3000K
- Beam angles: 120°
- Luminaire efficiency: 74lm/W @3000K
- Output power: 15W

APPLICATION

High End Grocery & Supermarkets | Fashion Retailers | Art & Exhibitions | DIY



SPECIFICATIONS

Mounting type	Magnetic track mounted luminaires
Power consumption	15W
Dimensions	L 454 x l35 x H74mm ± 1mm
Housing materials	Aluminium, Acrylic
IK code	IK00
Protection class	Safety class 1
Operating temperature [°C]	-20°C ... +40°C / -4F ... +104F
Operating humidity [%]	20 ÷ 90
AC Input [Vac]	220 - 240 VAC (Driver included)
Output [Vdc]	24 VDC
Lens angle [°]	120°
Lifespan [h]	50.000
Housing color	Brass, White ,Black
Lumen maintenance	L70/B30@50.000h at 25°C
IP factor	IP20
Control option	-
Warranty [years]	3
Storage temperature range [°C]	10°C ... +30°C / 50°F ... +86°F

Light application	Standard
CRI	CRI90
CCT [K]	3000K

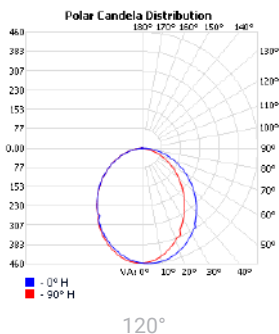
CRI - Color rendering, CCT - Color temperature

TOLERANCES

Luminous flux tolerances: -/+ 5%

Consumption tolerance: -/+ 5% for Non-DALI | -/+ 10% for Non-DALI & KIT EM | -/+ 10% for DALI | -/+ 15% for DALI & KIT EM

LIGHT DISTRIBUTION



SKU SPECIFICATIONS

Product Code	Dimensions (mm)	CCT (K)	Lumens (lm)	Power (W)	Eff. (lm/watt)	Lens Angle (°)
CRI 90						
1F9226 Stiletto L15/3000/15W/90/A120/24V/Brass	L 454 x l35 x H74mm ± 1mm	3000	1100	15W	74	120°
1F9227 Stiletto L15/3000/15W/90/A120/24V/White	L 454 x l35 x H74mm ± 1mm	3000	1100	15W	74	120°
1F9228 Stiletto L15/3000/15W/90/A120/24V/Black	L 454 x l35 x H74mm ± 1mm	3000	1100	15W	74	120°
1F9229 Stiletto L15/4000/15W/90/A120/24V/Brass	L 454 x l35 x H74mm ± 1mm	4000	1100	15W	74	120°
1F9230 Stiletto L15/4000/15W/90/A120/24V/White	L 454 x l35 x H74mm ± 1mm	4000	1100	15W	74	120°
1F9231 Stiletto L15/4000/15W/90/A120/24V/Black	L 454 x l35 x H74mm ± 1mm	4000	1100	15W	74	120°
1F9232 Stiletto L15/6500/15W/90/A120/24V/Brass	L 454 x l35 x H74mm ± 1mm	6500	1100	15W	74	120°
1F9233 Stiletto L15/6500/15W/90/A120/24V/White	L 454 x l35 x H74mm ± 1mm	6500	1100	15W	74	120°
1F9234 Stiletto L15/6500/15W/90/A120/24V/Black	L 454 x l35 x H74mm ± 1mm	6500	1100	15W	74	120°



Stiletto M - 15

SURFACE MOUNTED | NON-DALI SERIES

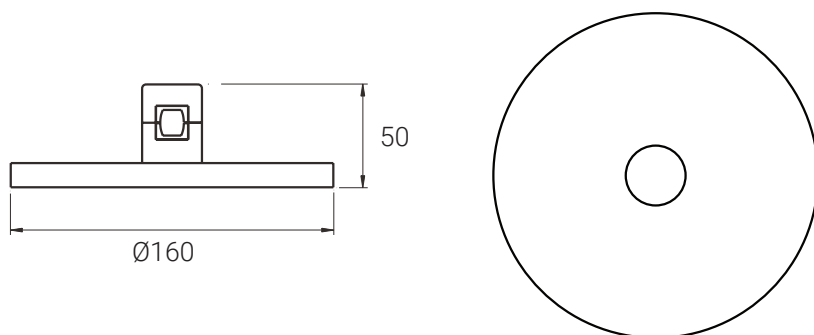
Step into a realm of refined illumination with Stiletto, a collection that combines the allure of golden aesthetics with the precision of LED technology.

FEATURES & BENEFITS

- CRI > 90 as standard
- Color temperatures: 3000K
- Beam angles: 120°
- Luminaire efficiency: 60lm/W @3000K
- Output power: 18W

APPLICATION

High End Grocery & Supermarkets | Fashion Retailers | Art & Exhibitions | DIY



SPECIFICATIONS

Mounting type	Magnetic track mounted luminaires
Power consumption	18W
Dimensions	Ø 160 x H50mm ± 1mm
Housing materials	Aluminium, Acrylic
IK code	IK00
Protection class	Safety class 1
Operating temperature [°C]	-20°C ... +40°C / -4F ... +104F
Operating humidity [%]	20 ÷ 90
AC Input [Vac]	220 - 240 VAC (Driver included)
Output [Vdc]	24 VDC
Lens angle [°]	120°
Lifespan [h]	50.000
Housing color	Brass, White ,Black
Lumen maintenance	L70/B30@50.000h at 25°C
IP factor	IP20
Control option	-
Warranty [years]	3
Storage temperature range [°C]	10°C ... +30°C / 50°F ... +86°F

Light application	Standard
CRI	CRI90
CCT [K]	3000K

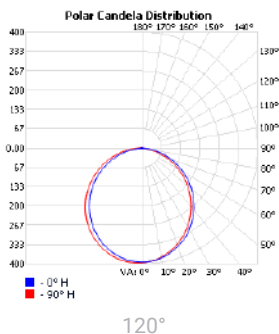
CRI - Color rendering, CCT - Color temperature

TOLERANCES

Luminous flux tolerances: -/+ 5%

Consumption tolerance: -/+ 5% for Non-DALI | -/+ 10% for Non-DALI & KIT EM | -/+ 10% for DALI | -/+ 15% for DALI & KIT EM

LIGHT DISTRIBUTION



SKU SPECIFICATIONS

Product Code	Dimensions (mm)	CCT (K)	Lumens (lm)	Power (W)	Eff. (lm/watt)	Lens Angle (°)
CRI 90						
1F9235 Stiletto M15/3000/18W/90/A120/24V/Brass	Ø 160 x H50mm ± 1mm	3000	1080	18W	60	120°
1F9236 Stiletto M15/3000/18W/90/A120/24V/White	Ø 160 x H50mm ± 1mm	3000	1080	18W	60	120°
1F9237 Stiletto M15/3000/18W/90/A120/24V/Black	Ø 160 x H50mm ± 1mm	3000	1080	18W	60	120°
1F9238 Stiletto M15/4000/18W/90/A120/24V/Brass	Ø 160 x H50mm ± 1mm	4000	1080	18W	60	120°
1F9239 Stiletto M15/4000/18W/90/A120/24V/White	Ø 160 x H50mm ± 1mm	4000	1080	18W	60	120°
1F9240 Stiletto M15/4000/18W/90/A120/24V/Black	Ø 160 x H50mm ± 1mm	4000	1080	18W	60	120°
1F9241 Stiletto M15/6500/18W/90/A120/24V/Brass	Ø 160 x H50mm ± 1mm	6500	1080	18W	60	120°
1F9242 Stiletto M15/6500/18W/90/A120/24V/White	Ø 160 x H50mm ± 1mm	6500	1080	18W	60	120°
1F9243 Stiletto M15/6500/18W/90/A120/24V/Black	Ø 160 x H50mm ± 1mm	6500	1080	18W	60	120°



Stiletto N - 15

SURFACE MOUNTED | NON-DALI SERIES

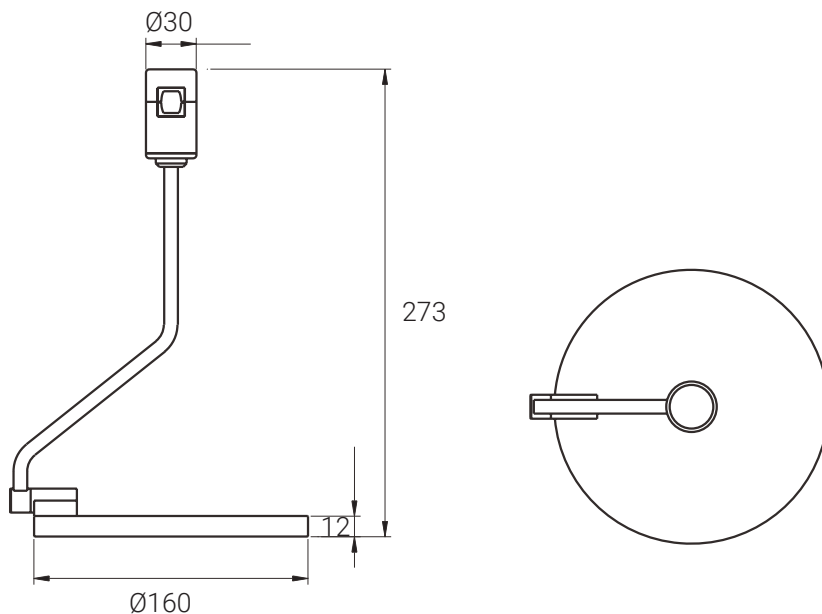
Step into a realm of refined illumination with Stiletto, a collection that combines the allure of golden aesthetics with the precision of LED technology.

FEATURES & BENEFITS

- CRI > 90 as standard
- Color temperatures: 3000K
- Beam angles: 120°
- Luminaire efficiency: 74lm/W @3000K
- Output power: 15W

APPLICATION

High End Grocery & Supermarkets | Fashion Retailers | Art & Exhibitions | DIY



SPECIFICATIONS

Mounting type	Magnetic track mounted luminaires
Power consumption	15W
Dimensions	Ø 160 x H273mm ± 1mm
Housing materials	Aluminium, Acrylic
IK code	IK00
Protection class	Safety class 1
Operating temperature [°C]	-20°C ... +40°C / -4F ... +104F
Operating humidity [%]	20 ÷ 90
AC Input [Vac]	220 - 240 VAC (Driver included)
Output [Vdc]	24 VDC
Lens angle [°]	120°
Lifespan [h]	50.000
Housing color	Brass, White ,Black
Lumen maintenance	L70/B30@50.000h at 25°C
IP factor	IP20
Control option	-
Warranty [years]	3
Storage temperature range [°C]	10°C ... +30°C / 50°F ... +86°F

Light application	Standard
CRI	CRI90
CCT [K]	3000K

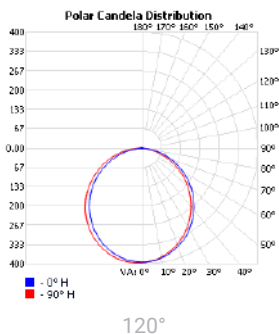
CRI - Color rendering, CCT - Color temperature

TOLERANCES

Luminous flux tolerances: -/+ 5%

Consumption tolerance: -/+ 5% for Non-DALI | -/+ 10% for Non-DALI & KIT EM | -/+ 10% for DALI | -/+ 15% for DALI & KIT EM

LIGHT DISTRIBUTION



SKU SPECIFICATIONS

Product Code	Dimensions (mm)	CCT (K)	Lumens (lm)	Power (W)	Eff. (lm/watt)	Lens Angle (°)
CRI 90						
1F9244 Stiletto N15/3000/15W/90/A120/24V/Brass	Ø 160 x H273mm ± 1mm	3000	1100	15W	74	120°
1F9245 Stiletto N15/3000/15W/90/A120/24V/White	Ø 160 x H273mm ± 1mm	3000	1100	15W	74	120°
1F9246 Stiletto N15/3000/15W/90/A120/24V/Black	Ø 160 x H273mm ± 1mm	3000	1100	15W	74	120°
1F9247 Stiletto N15/4000/15W/90/A120/24V/Brass	Ø 160 x H273mm ± 1mm	4000	1100	15W	74	120°
1F9248 Stiletto N15/4000/15W/90/A120/24V/White	Ø 160 x H273mm ± 1mm	4000	1100	15W	74	120°
1F9249 Stiletto N15/4000/15W/90/A120/24V/Black	Ø 160 x H273mm ± 1mm	4000	1100	15W	74	120°
1F9250 Stiletto N15/6500/15W/90/A120/24V/Brass	Ø 160 x H273mm ± 1mm	6500	1100	15W	74	120°
1F9251 Stiletto N15/6500/15W/90/A120/24V/White	Ø 160 x H273mm ± 1mm	6500	1100	15W	74	120°
1F9252 Stiletto N15/6500/15W/90/A120/24V/Black	Ø 160 x H273mm ± 1mm	6500	1100	15W	74	120°



Stiletto O - 6L

SURFACE MOUNTED | NON-DALI SERIES

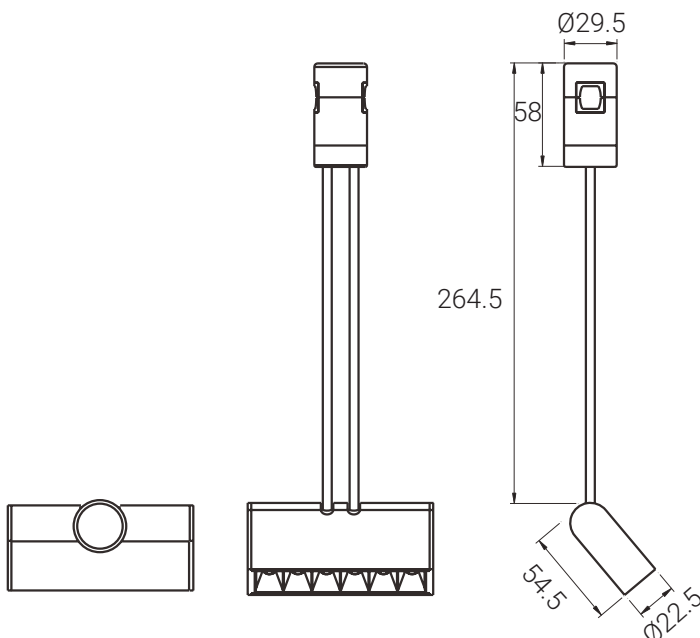
Step into a realm of refined illumination with Stiletto, a collection that combines the allure of golden aesthetics with the precision of LED technology.

FEATURES & BENEFITS

- CRI > 90 as standard
- Color temperatures: 3000K
- Beam angles: 30°
- Luminaire efficiency: 43lm/W @3000K
- Output power: 9W

APPLICATION

High End Grocery & Supermarkets | Fashion Retailers | Art & Exhibitions | DIY



SPECIFICATIONS

Mounting type	Magnetic track mounted luminaires
Power consumption	9W
Dimensions	L104 x I22.5 x H319 mm ± 1mm
Housing materials	Aluminium, Acrylic
IK code	IK00
Protection class	Safety class 1
Operating temperature [°C]	-20°C ... +40°C / -4F ... +104F
Operating humidity [%]	20 ÷ 90
AC Input [Vac]	220 - 240 VAC (Driver included)
Output [Vdc]	24 VDC
Lens angle [°]	30°
Lifespan [h]	50.000
Housing color	Brass, White ,Black
Lumen maintenance	L70/B30@50.000h at 25°C
IP factor	IP20
Control option	-
Warranty [years]	3
Storage temperature range [°C]	10°C ... +30°C / 50°F ... +86°F

Light application	Standard
CRI	CRI90
CCT [K]	3000K

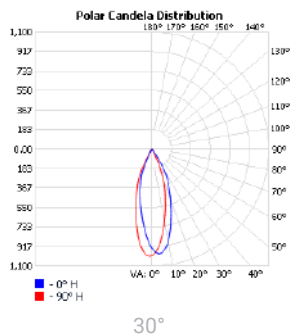
CRI - Color rendering, CCT - Color temperature

TOLERANCES

Luminous flux tolerances: -/+ 5%

Consumption tolerance: -/+ 5% for Non-DALI | -/+ 10% for Non-DALI & KIT EM | -/+ 10% for DALI | -/+ 15% for DALI & KIT EM

LIGHT DISTRIBUTION



SKU SPECIFICATIONS

Product Code	Dimensions (mm)	CCT (K)	Lumens (lm)	Power (W)	Eff. (lm/watt)	Lens Angle (°)
CRI 90						
1F9262 Stiletto O6L/3000/9W/90/A30/24V/Brass	L104 x l22.5 x H319 mm ± 1mm	3000	380	9W	43	30°
1F9263 Stiletto O6L/3000/9W/90/A30/24V/White	L104 x l22.5 x H319 mm ± 1mm	3000	380	9W	43	30°
1F9264 Stiletto O6L/3000/9W/90/A30/24V/Black	L104 x l22.5 x H319 mm ± 1mm	3000	380	9W	43	30°
1F9265 Stiletto O6L/4000/9W/90/A30/24V/Brass	L104 x l22.5 x H319 mm ± 1mm	4000	380	9W	43	30°
1F9266 Stiletto O6L/4000/9W/90/A30/24V/White	L104 x l22.5 x H319 mm ± 1mm	4000	380	9W	43	30°
1F9267 Stiletto O6L/4000/9W/90/A30/24V/Black	L104 x l22.5 x H319 mm ± 1mm	4000	380	9W	43	30°
1F9268 Stiletto O6L/6500/9W/90/A30/24V/Brass	L104 x l22.5 x H319 mm ± 1mm	6500	380	9W	43	30°
1F9269 Stiletto O6L/6500/9W/90/A30/24V/White	L104 x l22.5 x H319 mm ± 1mm	6500	380	9W	43	30°
1F9270 Stiletto O6L/6500/9W/90/A30/24V/Black	L104 x l22.5 x H319 mm ± 1mm	6500	380	9W	43	30°



Stiletto 0 - 6S

SURFACE MOUNTED | NON-DALI SERIES

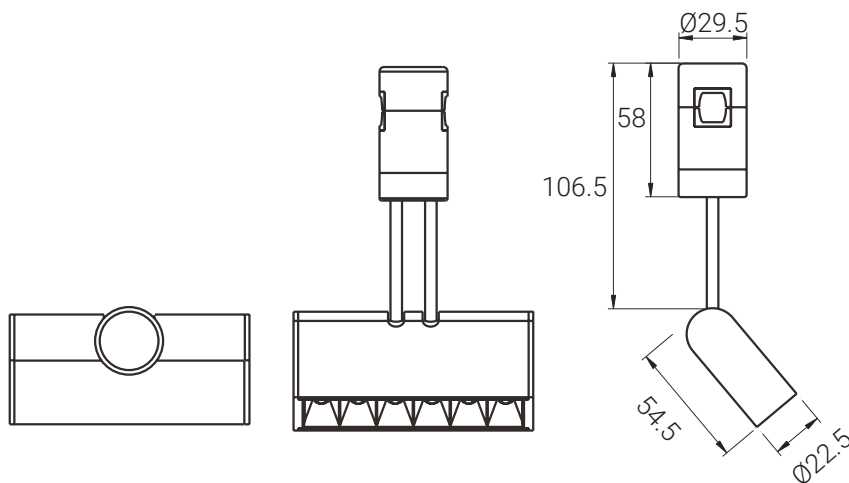
Step into a realm of refined illumination with Stiletto, a collection that combines the allure of golden aesthetics with the precision of LED technology.

FEATURES & BENEFITS

- CRI > 90 as standard
- Color temperatures: 3000K
- Beam angles: 30°
- Luminaire efficiency: 37lm/W @3000K
- Output power: 9W

APPLICATION

High End Grocery & Supermarkets | Fashion Retailers | Art & Exhibitions | DIY



SPECIFICATIONS

Mounting type	Magnetic track mounted luminaires
Power consumption	9W
Dimensions	L104 x I22.5 x H161 mm \pm 1mm
Housing materials	Aluminium, Acrylic
IK code	IK00
Protection class	Safety class 1
Operating temperature [°C]	-20°C ... +40°C / -4F ... +104F
Operating humidity [%]	20 ÷ 90
AC Input [Vac]	220 - 240 VAC (Driver included)
Output [Vdc]	24 VDC
Lens angle [°]	30°
Lifespan [h]	50.000
Housing color	Brass, White ,Black
Lumen maintenance	L70/B30@50.000h at 25°C
IP factor	IP20
Control option	-
Warranty [years]	3
Storage temperature range [°C]	10°C ... +30°C / 50°F ... +86°F

Light application	Standard
CRI	CRI90
CCT [K]	3000K

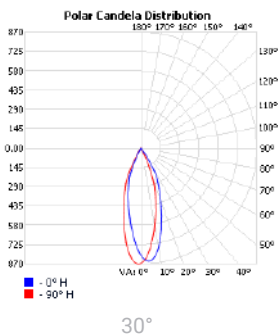
CRI - Color rendering, CCT - Color temperature

TOLERANCES

Luminous flux tolerances: -/+ 5%

Consumption tolerance: -/+ 5% for Non-DALI | -/+ 10% for Non-DALI & KIT EM | -/+ 10% for DALI | -/+ 15% for DALI & KIT EM

LIGHT DISTRIBUTION



SKU SPECIFICATIONS

Product Code	Dimensions (mm)	CCT (K)	Lumens (lm)	Power (W)	Eff. (lm/watt)	Lens Angle (°)
CRI 90						
1F9253 Stiletto O6S/3000/9W/90/A30/24V/Brass	L104 x l22.5 x H161 mm ± 1mm	3000	325	9W	37	30°
1F9254 Stiletto O6S/3000/9W/90/A30/24V/White	L104 x l22.5 x H161 mm ± 1mm	3000	325	9W	37	30°
1F9255 Stiletto O6S/3000/9W/90/A30/24V/Black	L104 x l22.5 x H161 mm ± 1mm	3000	325	9W	37	30°
1F9256 Stiletto O6S/4000/9W/90/A30/24V/Brass	L104 x l22.5 x H161 mm ± 1mm	4000	325	9W	37	30°
1F9257 Stiletto O6S/4000/9W/90/A30/24V/White	L104 x l22.5 x H161 mm ± 1mm	4000	325	9W	37	30°
1F9258 Stiletto O6S/4000/9W/90/A30/24V/Black	L104 x l22.5 x H161 mm ± 1mm	4000	325	9W	37	30°
1F9259 Stiletto O6S/6500/9W/90/A30/24V/Brass	L104 x l22.5 x H161 mm ± 1mm	6500	325	9W	37	30°
1F9260 Stiletto O6S/6500/9W/90/A30/24V/White	L104 x l22.5 x H161 mm ± 1mm	6500	325	9W	37	30°
1F9261 Stiletto O6S/6500/9W/90/A30/24V/Black	L104 x l22.5 x H161 mm ± 1mm	6500	325	9W	37	30°