

Ledge 62x62

RECESSED | NON-DALI SERIES

The Ledge product family is a set of luminaires especially designed for modern office environments and retail spaces. Ultra-flat housing made out of Aluminum & Polycarbonate. Recessed mounted, easy to install. Simple and compact design that supplies the maximum visual comfort.

The Ledge Family has several series, determined by various add-on and controls:

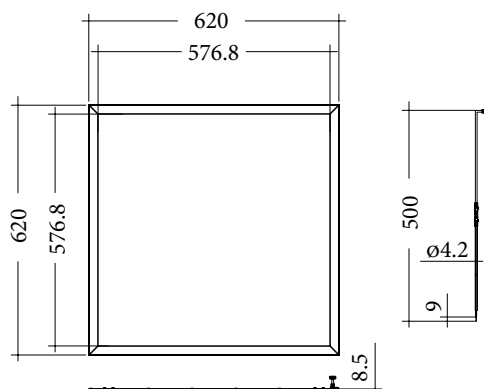
- Ledge Non-DALI – the standard for office spaces
- Ledge DALI – with DALI controls for illumination adjustments
- Ledge Non-DALI EM - with emergency lighting kit
- Ledge DALI EM - with DALI controls for illumination adjustments and emergency lighting kit

APPLICATIONS

Grocery & Supermarket | Retail | Office | Healthcare | Hospitality | DIY

FEATURES & BENEFITS

- CRI \geq 80 as standard
- Color temperatures: 3000K, 4000K
- Long rated life: L80/B10@50.000h
- Luminaire efficiency: 115 lm/W @4000K



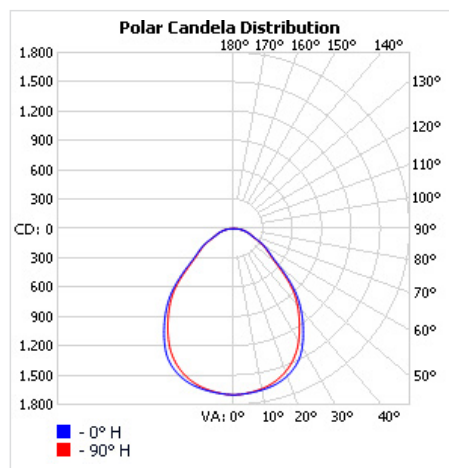
SPECIFICATIONS

Power consumption	30W, 35W, 39W
Dimensions	620 x 620 x 8.5 mm±1mm
Weight	2.9 Kg
Housing materials	Aluminium & Polycarbonate
Protection class	Safety class 2
Power factor	0.95
AC Input [Vac]	220 - 240 VAC
Lens angle [°]	90°
Lifespan [h]	50.000
Housing color	○ White - RAL 9003
Lumen maintenance	L80/B10@50.000h at 25°C
IP Rating (General)	IP20
IP Rating (Front facing)	IP20
Control optional	-
Warranty [years]	5
Storage temperature range [°C]	-20°C ... +40°C / -4F ... +104F
Emergency option	-

Light application	Standard
CRI	CRI 80
CCT [K]	3000K/4000K
MacAdam	4

CRI - Color rendering, CCT - Color temperature, MacAdam - Color consistency

LIGHT DISTRIBUTION



A90

RISK GROUP

RG0

The evaluation of photobiological safety is carried out according to the standard IEC 62471:2008 (“Photobiological safety of lamps and lamp systems”). Following the definition of the risk grouping system of the mentioned IEC standard, the LEDs mounted on this family fall into the class “No Risk (RG0 – No photobiological hazard)”. Under real circumstances (regarding exposure time, pupils, observation distance, it is assumed that there is no endangerment to the eye from these devices. As a matter of principle, however, it should be mentioned that intense light sources have a high secondary exposure potential due to their blinding effect.

TOLERANCES

Luminous flux tolerances: -/+ 5%

Consumption tolerance: -/+ 5% for Non-DALI | -/+ 10% for Non-DALI & KIT EM | -/+ 10% for DALI | -/+ 15% for DALI & KIT EM

BATTERY WARRANTY

Non-DALI EM & DALI EM: 12 months warranty

Non-DALI & DALI: -

MAXIMUM NO. OF LUMINAIRES ON A CIRCUIT

Luminaire Power(W)	Control type	Circuit Breaker Type					
		B			C		
		20	16	10	20	16	10
30W	Non-DALI	110	85	55	110	85	55
35W	Non-DALI	95	75	45	95	75	45
39W	Non-DALI	75	65	35	75	65	35
30-39W	DALI	29	23	14	48	38	23

SKU SPECIFICATIONS

Product Code	Dimensions (mm)	CCT (K)	Lumens (lm)	Power (W)	Eff. (lm/watt)	Lens Angle (°)
CRI 80						
113564 Ledge SL 6262/3000/30W/80/A90	620 x 620 x 8.5 mm±1mm	3000K	3415	30W	114	90°
113565 Ledge SL 6262/4000/30W/80/A90	620 x 620 x 8.5 mm±1mm	4000K	3440	30W	115	90°
113566 Ledge SL 6262/3000/35W/80/A90	620 x 620 x 8.5 mm±1mm	3000K	3885	35W	111	90°
113567 Ledge SL 6262/4000/35W/80/A90	620 x 620 x 8.5 mm±1mm	4000K	3915	35W	112	90°
113568 Ledge SL 6262/3000/39W/80/A90	620 x 620 x 8.5 mm±1mm	3000K	4280	39W	110	90°
113569 Ledge SL 6262/4000/39W/80/A90	620 x 620 x 8.5 mm±1mm	4000K	4315	39W	111	90°