



Installation guide - Montageanleitung Guide d'installation - Ghid de instalare

Luna Track

ST5 - Trimless mount



ATTENTION / ACHTUNG / ATTENTION / ATENȚIE

EN Installation guide

1. Turn power off before inspection, installation or removal.
2. Properly ground electrical enclosure.
3. Follow all IEC and local building codes.
4. Do not operate luminaire with damaged parts.
5. Please see technical data sheet for electrical properties to ensure safe installation.
6. The grounding and bonding of the overall system shall be done in accordance to local electric code of the country where the luminaire is installed.
7. For indoor use, only.
8. Installation should be performed by a qualified electrician in compliance with these instructions and applicable standards.
9. Do not cover the front or rear of the luminaire.

DE Montageanleitung

1. Schalten Sie die Stromversorgung vor der Überprüfung, Montage oder Demontage aus.
2. Stellen Sie sicher, dass die elektrische Verbindung ordnungsgemäß geerdet ist.
3. Befolgen Sie die IEC-Norm und alle lokalen Bauvorschriften.
4. Betreiben Sie die Leuchte nicht mit beschädigten Teilen.
5. Informationen zu elektrischen Eigenschaften finden Sie im technischen Datenblatt, um eine sichere Montage zu gewährleisten.
6. Der Erdanschluss und Verbindung des Gesamtsystems muss gemäß den lokalen Vorschriften in dem Land, in dem die Leuchte montiert wird, erfolgen.
7. Nur für den Innenbereich.
8. Die Montage sollte von einem qualifizierten Elektriker gemäß den vorliegenden Anleitungen und geltenden Normen durchgeführt werden.
9. Decken Sie nicht die Vorder- oder Rückseite der Leuchte ab.

FR Guide d'installation

1. Coupez l'alimentation avant l'inspection, l'installation ou la désinstallation.
2. Reliez correctement le boîtier électrique à la terre.
3. Respectez toutes les normes IEC et locales en vigueur.
4. Ne faites pas fonctionner le luminaire si l'un de ses composants est endommagé.
5. Veuillez consulter la fiche des caractéristiques techniques pour les propriétés électriques afin d'assurer une installation sécuritaire.
6. La mise à la masse et la mise en continuité du système complet doivent être réalisées conformément au code local de l'électricité du pays où le luminaire est installé.
7. Réservé à l'utilisation en intérieur.
8. Il est conseillé de confier l'installation à un électricien qualifié qui devra se conformer aux instructions et aux normes concernant les installations.
9. Ne pas couvrir l'avant ou l'arrière du luminaire.

RO Ghid de instalare

1. Oprîți alimentarea cu energie electrică înainte de a efectua orice operație de verificare, instalare sau dezinstalare.
2. Efectuați corect conexiunea la nulul de protecție al instalației electrice.
3. Respectați directiva IEC și toate directivele locale.
4. Nu folosiți corpul de iluminat dacă prezintă componente deteriorate.
5. Pentru a asigura instalarea în siguranță, consultați fișa tehnică cu proprietățile instalației electrice.
6. Legarea la nulul de protecție și conectarea întregului sistem trebuie efectuate conform normelor locale privind instalațiile electrice din țara în care se montează corpul de iluminat.
7. Doar pentru uz interior.
8. Instalarea trebuie realizată de către un electrician calificat, în concordanță cu instrucțiunile și standardele aplicabile.
9. Nu acoperiți partea din față sau din spate a corpului de iluminat.

ST5 - Trimless mount

Product:

1A7018 Luna 9500-1/B-ST5/1000mm/Trimless/Black
 1A7020 Luna 9500-2/B-ST5/2000mm/Trimless/Black
 1A7022 Luna 9500-3/B-ST5/3000mm/Trimless/Black

End Cap:

1A7056 9504/ST2-B/End Cap for Double Emission Track and Trimless Track/Black

Reinforcing bracket:

1A7081 S-9500/314-B/Reinforcing Bracket for Trimless Use of Jointing Connector/Black
 160095 S-9000/332-SV-B/Pendant bracket/Black

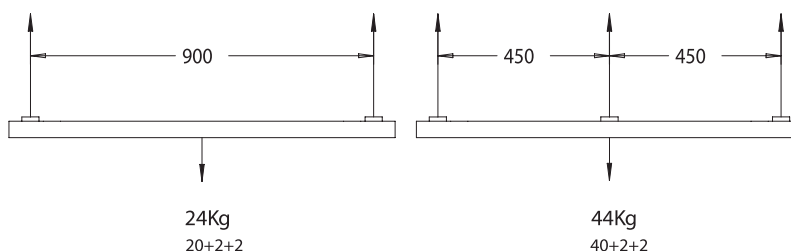
Fixing elements:

160103 S-9000/111/Ceiling Clamp/Zinc plated steel
 160163 S-9000/111/Wire Suspension Kit 3m/Zinc plated steel
 160164 S-9000/111/Wire Suspension Kit 5m/Zinc plated steel
 160165 S-9000/111/Wire Suspension Kit 7m/Zinc plated steel
 160166 S-9000/111/Wire Suspension Kit 10m/Zinc plated steel
 160117 S-9000/118-B S-9000-P3-B/Rigid Suspension Kit 1m/Black

1.

Versions ST5 can be fastened to the false ceiling or built-ins, using the accessories. To fasten and use them, follow the instructions described in this data-sheet and do not exceed the maximum loads specified (Fig. 1). When installing the fitting in false ceilings, comply with the maximum load-bearing capacity of the relevant structure. The upper part of all tracks is fitted with a metal plate for the magnetic attachment of the adapters. It must not be removed for any reason what so ever.

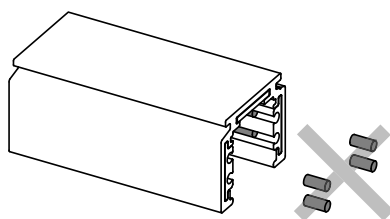
Fig.1



2.

The track bars with 1-2-3 m length are supplied with the copper wires already recessed with respect to the aluminium, to prevent them from coming into contact with one another in case of dual power supply, or, if end caps are used, to prevent the copper wires from coming into contact with them. If the track must be shortened during installation, after cutting it use the special pliers to cut back the 4 copper wires of the track (Fig. 2). Make sure to eliminate the 4 pieces of copper wire cut (Fig. 3). Proceed with the installation of another track or apply the end caps, as explained in this instruction sheet.

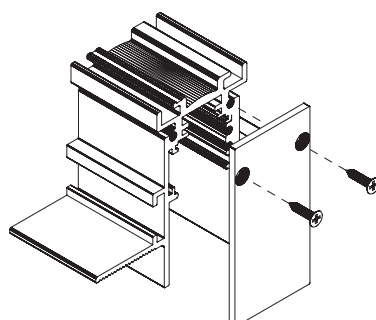
Fig.2



3.

All the tracks have end caps, which must be used on the last track of the run. Each profile has a specific end cap suited to its shape; it must be fastened to the track by tightening the two TXX screws (Fig. 3).

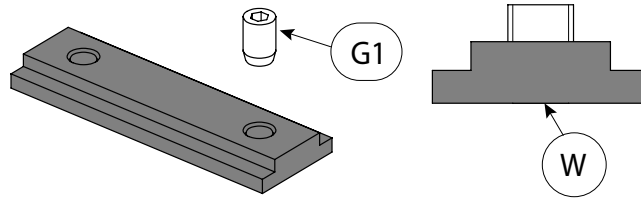
Fig.3



4.

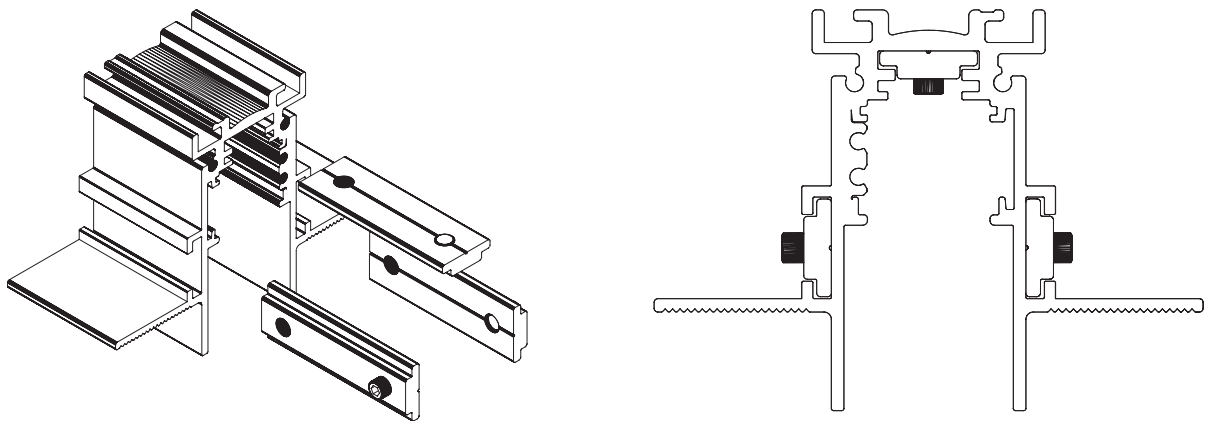
To fasten two sections of the trimless tracks we recommend using the special bracket. Only screw one of the set screws G1 onto the bracket, making sure that it does not protrude from the lower side W of the bracket (Fig. 4).

Fig.4



5.

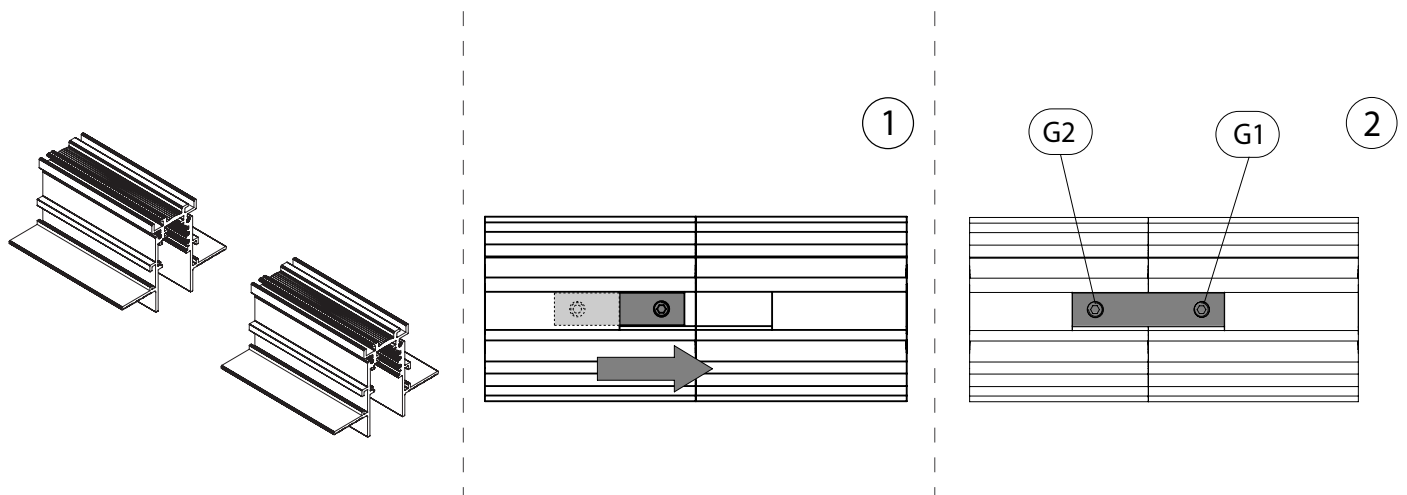
Fig.5



6.

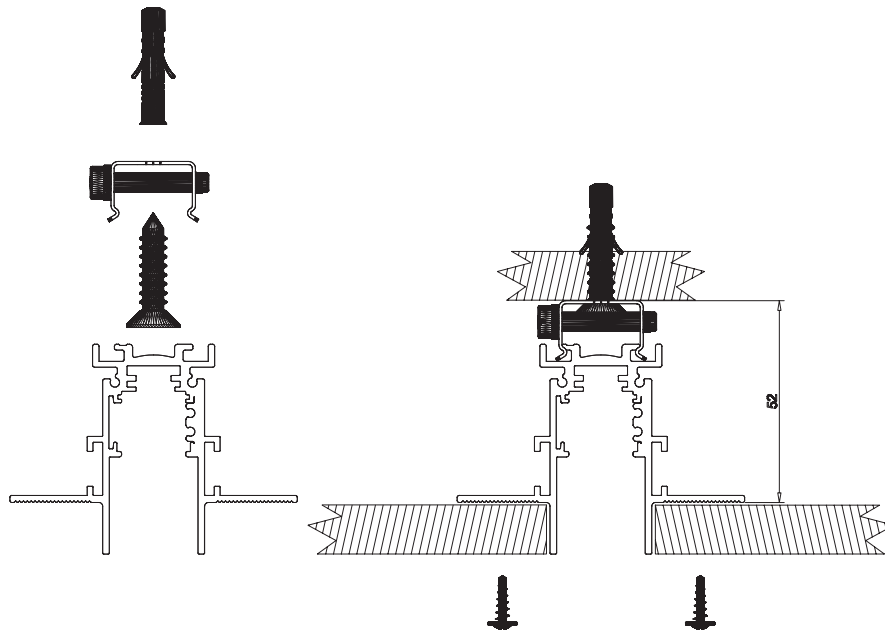
Slide the bracket into the first track section, from the side where set screw G1 has not been inserted, and push it completely inside the track (Fig. 5). Take the second track section and join it to the first section; slide the bracket (1) until it lies mid-way with respect to the two sections (2), then insert the second set screw G2. Lastly, tighten both set screws G1 and G2 until the bracket is tightly secured to the two track sections (Fig. 6).

Fig.6



7.

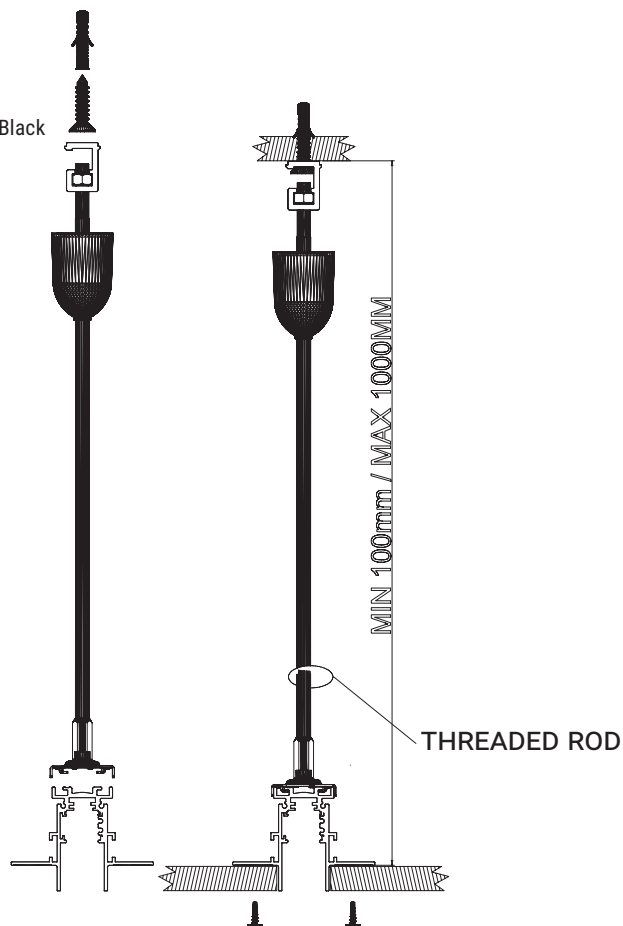
Wall mounted or rigid ceiling, using:
160103 S-9000/111/Ceiling Clamp/Zinc plated steel



Note: Fixing elements (screws) are not included!

8.

Adjustable rigid bar on the wall or fix ceiling, using:
60117 S-9000/118-B S-9000-P3-B/Rigid Suspension Kit 1m/Black

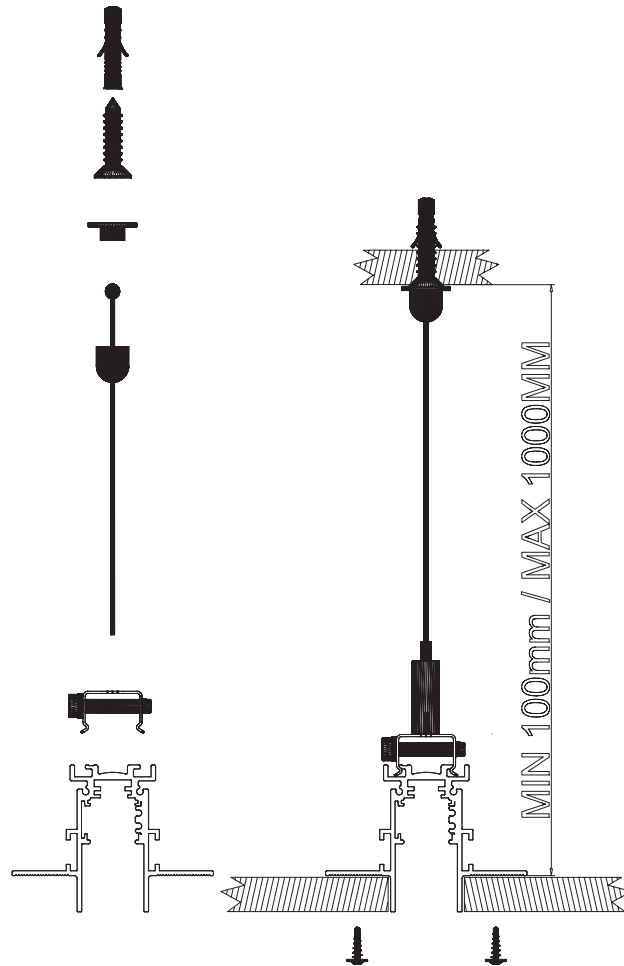


Note: Fixing elements (screws) are not included!

9.

Adjustable fixing or a fix ceiling, using:

- 160163 S-9000/111/Wire Suspension Kit 3m/Zinc plated steel
- 160164 S-9000/111/Wire Suspension Kit 5m/Zinc plated steel
- 160165 S-9000/111/Wire Suspension Kit 7m/Zinc plated steel
- 160166 S-9000/111/Wire Suspension Kit 10m/Zinc plated steel



Note: Fixing elements (screws) are not included!