



## Juniper R IP54

### RECESSED DOWNLIGHTS | DALI EM SERIES

Compact, round recessed spotlight provides wide-beam distribution for pleasant lighting and visual comfort in industrial working spaces, warehouses, refrigerated rooms. Suitable for general lighting purposes in dust and humid conditions thanks to its IP54 factor.

Housing available in signal white color, easy to complement any type of ceiling.

Juniper R IP54 recessed luminaires come in several series, with various add-on and controls:

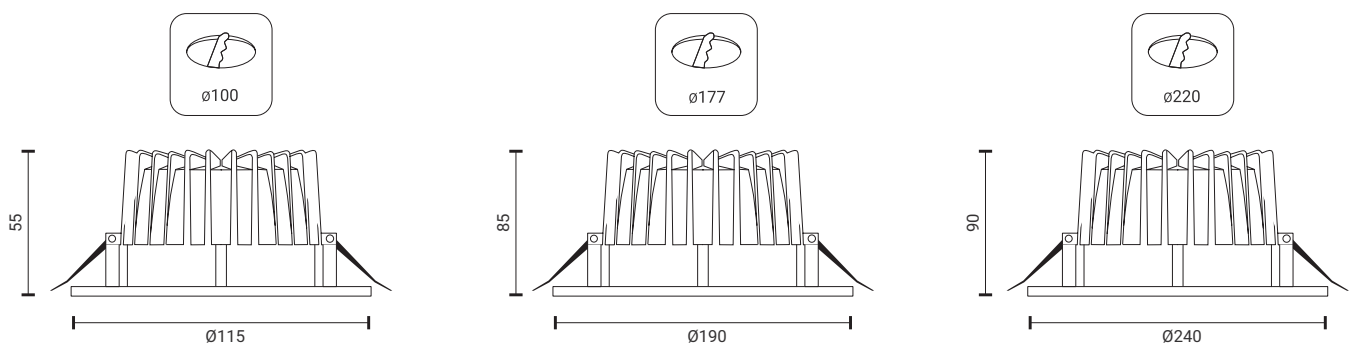
- Juniper R IP54 Non-DALI – the standard for industrial spaces
- Juniper R IP54 DALI – with DALI controls for illumination adjustments
- Juniper R IP54 Non-DALI EM – series with emergency lighting kit
- Juniper R IP54 DALI EM – with dimming and emergency kit

### APPLICATION

Grocery & Supermarkets | Office | Healthcare | Hospitality | DIY

### FEATURES & BENEFITS

- CRI  $\geq$  80 standard
- Very long service life: 50,000 h at 90% luminous flux
- High efficiency of 125lm/watt
- Lens angle of 75°
- Dimmable
- With emergency kits of 1h and 3 h



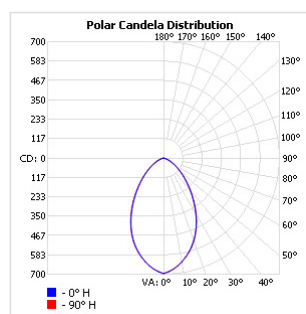
**SPECIFICATIONS**

Power consumption	9W, 17W	9W, 17W, 23W, 30W	9W, 17W, 23W, 30W, 40W
Dimensions	115x55xØ100±1mm	190x85xØ177±1mm	240x90xØ220±1mm
Weight	0.9 - 1.3 Kg	1.5 - 1.8 Kg	2 - 2.3 Kg
Housing materials	Aluminium, Glass		
IK code	IK02		
THD (at 230V, 50Hz, Full load)	<20%		
Protection class	Safety class 1		
Operating temperature [°C]	+5°C ... +40°C / +41F ... +104F		
Operating humidity [%]	10 ÷ 85		
Power factor	≥0.95		
AC Input [Vac]	220 - 240 VAC		
Lens angle [°]	75°		
Lifespan [h]	50,000		
Housing color	○ RAL 9003 - signal white		
Lumen maintenance	L90/B10@50.000h at 25°C		
IP factor (front face)	IP54		
Control option	DALI		
Warranty [years]	5		
Storage temperature range [°C]	+5°C ... +25°C / +41F ... +77F		
Emergency option	EM1H, EM3H		

Light application	Standard
CRI	CRI 80
CCT [K]	3000K/4000K/5000K/6500K
MacAdam	4

CRI - Color rendering, CCT - Color temperature, MacAdam - Color consistency

**LIGHT DISTRIBUTION**



**TOLERANCES**

**Luminous flux tolerances:** -/+ 5%

**Consumption tolerance:** -/+ 5% for Non-DALI | -/+ 10% for Non-DALI & KIT EM | -/+ 10% for DALI | -/+ 15% for DALI & KIT EM

**BATTERY WARRANTY**

**Non-DALI EM & DALI EM:** 12 months warranty

**Non-DALI & DALI:** -

**MAXIMUM NO. OF LUMINAIRES ON A CIRCUIT**

Luminaire Power(W)	Control type	Circuit Breaker Type					
		B			C		
		20	16	10	20	16	10
9-17W	Non-DALI	62	50	31	104	85	52
23-30W	Non-DALI	24	20	10	47	40	20
45W	Non-DALI	37	30	18	62	65	31
9-17W	DALI	62	50	31	104	85	52
23-30W	DALI	25	21	13	50	42	26
45W	DALI	17	14	9	34	28	18

**RISK GROUP**

<b>Standard (CRI80)</b>	RG1
<b>FOOD (BVF, FBS, FSM)</b>	RG1
<b>FOOD ≤35W (FZM, FSH)</b>	RG1
<b>FOOD &gt;35W (FZM, FSH)</b>	RG2
<b>FAS</b>	RG1
<b>AMB2200</b>	RG1
<b>ART</b>	RG1
<b>AGI</b>	RG1
<b>CRI90</b>	RG1
<b>CRI95</b>	RG1
<b>ENT</b>	RG1

**RG1**

The evaluation of photobiological safety is carried out according to the standard IEC 62471:2008 ("Photobiological safety of lamps and lamp systems"). Following the definition of the risk grouping system of the mentioned IEC standard, the LEDs mounted on this family fall into the class "Low Risk (RG1 – No photobiological hazard under normal behavioral limitations)". Under real circumstances (regarding exposure time, pupils, observation distance), it is assumed that there is no endangerment to the eye from these devices. As a matter of principle, however, it should be mentioned that intense light sources have a high secondary exposure potential due to their blinding effect.

**RG2**

The evaluation of photobiological safety is carried out according to the standard IEC 62471:2008 ("Photobiological safety of lamps and lamp systems"). Following the definition of the risk grouping system of the mentioned IEC standard, the LEDs mounted on this family fall into the class "Moderate Risk (RG2)". Under real circumstances (regarding exposure time, pupils, observation distance), it is assumed that there is no endangerment to the eye from these devices. As a matter of principle, however, it should be mentioned that intense light sources have a high secondary exposure potential due to their blinding effect.

SKU SPECIFICATIONS

Product Code	Dimensions (mm)	CCT (K)	Lumens (lm)	Power (W)	Eff. (lm/watt)	Lens Angle (°)
<b>CRI 80</b>						
258044 JuniperR 100mm/3000/9W/80/A75/EM1H/IP54	D115xH55xØ100mm±1mm	3000	900	9W	100	75°
258045 JuniperR 100mm/4000/9W/80/A75/EM1H/IP54	D115xH55xØ100mm±1mm	4000	940	9W	105	75°
258046 JuniperR 100mm/5000/9W/80/A75/EM1H/IP54	D115xH55xØ100mm±1mm	5000	965	9W	108	75°
258047 JuniperR 100mm/6500/9W/80/A75/EM1H/IP54	D115xH55xØ100mm±1mm	6500	940	9W	105	75°
258048 JuniperR 177mm/3000/9W/80/A75/EM1H/IP54	D190xH85xØ177mm±1mm	3000	935	9W	104	75°
258049 JuniperR 177mm/4000/9W/80/A75/EM1H/IP54	D190xH85xØ177mm±1mm	4000	975	9W	109	75°
258050 JuniperR 177mm/5000/9W/80/A75/EM1H/IP54	D190xH85xØ177mm±1mm	5000	1000	9W	112	75°
258051 JuniperR 177mm/6500/9W/80/A75/EM1H/IP54	D190xH85xØ177mm±1mm	6500	975	9W	109	75°
258052 JuniperR 220mm/3000/9W/80/A75/EM1H/IP54	D240xH90xØ220mm±1mm	3000	940	9W	105	75°
258053 JuniperR 220mm/4000/9W/80/A75/EM1H/IP54	D240xH90xØ220mm±1mm	4000	980	9W	109	75°
258054 JuniperR 220mm/5000/9W/80/A75/EM1H/IP54	D240xH90xØ220mm±1mm	5000	1005	9W	112	75°
258055 JuniperR 220mm/6500/9W/80/A75/EM1H/IP54	D240xH90xØ220mm±1mm	6500	980	9W	109	75°
258056 JuniperR 100mm/3000/17W/80/A75/EM1H/IP54	D115xH55xØ100mm±1mm	3000	1800	17W	106	75°
258057 JuniperR 100mm/4000/17W/80/A75/EM1H/IP54	D115xH55xØ100mm±1mm	4000	1875	17W	111	75°
258058 JuniperR 100mm/5000/17W/80/A75/EM1H/IP54	D115xH55xØ100mm±1mm	5000	1925	17W	114	75°
258059 JuniperR 100mm/6500/17W/80/A75/EM1H/IP54	D115xH55xØ100mm±1mm	6500	1875	17W	111	75°
258060 JuniperR 177mm/3000/17W/80/A75/EM1H/IP54	D190xH85xØ177mm±1mm	3000	1950	17W	115	75°
258061 JuniperR 177mm/4000/17W/80/A75/EM1H/IP54	D190xH85xØ177mm±1mm	4000	2035	17W	120	75°
258062 JuniperR 177mm/5000/17W/80/A75/EM1H/IP54	D190xH85xØ177mm±1mm	5000	2090	17W	123	75°
258063 JuniperR 177mm/6500/17W/80/A75/EM1H/IP54	D190xH85xØ177mm±1mm	6500	2035	17W	120	75°
258064 JuniperR 220mm/3000/17W/80/A75/EM1H/IP54	D240xH90xØ220mm±1mm	3000	1955	17W	115	75°
258065 JuniperR 220mm/4000/17W/80/A75/EM1H/IP54	D240xH90xØ220mm±1mm	4000	2035	17W	120	75°
258066 JuniperR 220mm/5000/17W/80/A75/EM1H/IP54	D240xH90xØ220mm±1mm	5000	2090	17W	123	75°
258067 JuniperR 220mm/6500/17W/80/A75/EM1H/IP54	D240xH90xØ220mm±1mm	6500	2035	17W	120	75°
258068 JuniperR 177mm/3000/23W/80/A75/EM1H/IP54	D190xH85xØ177mm±1mm	3000	2665	23W	116	75°
258069 JuniperR 177mm/4000/23W/80/A75/EM1H/IP54	D190xH85xØ177mm±1mm	4000	2775	23W	121	75°
258070 JuniperR 177mm/5000/23W/80/A75/EM1H/IP54	D190xH85xØ177mm±1mm	5000	2850	23W	124	75°
258071 JuniperR 177mm/6500/23W/80/A75/EM1H/IP54	D190xH85xØ177mm±1mm	6500	2775	23W	121	75°
258072 JuniperR 220mm/3000/23W/80/A75/EM1H/IP54	D240xH90xØ220mm±1mm	3000	2595	23W	113	75°
258073 JuniperR 220mm/4000/23W/80/A75/EM1H/IP54	D240xH90xØ220mm±1mm	4000	2705	23W	118	75°
258074 JuniperR 220mm/5000/23W/80/A75/EM1H/IP54	D240xH90xØ220mm±1mm	5000	2775	23W	121	75°
258075 JuniperR 220mm/6500/23W/80/A75/EM1H/IP54	D240xH90xØ220mm±1mm	6500	2705	23W	118	75°
258076 JuniperR 177mm/3000/30W/80/A75/EM1H/IP54	D190xH85xØ177mm±1mm	3000	3575	30W	120	75°
258077 JuniperR 177mm/4000/30W/80/A75/EM1H/IP54	D190xH85xØ177mm±1mm	4000	3725	30W	125	75°
258078 JuniperR 177mm/5000/30W/80/A75/EM1H/IP54	D190xH85xØ177mm±1mm	5000	3825	30W	128	75°
258079 JuniperR 177mm/6500/30W/80/A75/EM1H/IP54	D190xH85xØ177mm±1mm	6500	3725	30W	125	75°
258080 JuniperR 220mm/3000/30W/80/A75/EM1H/IP54	D240xH90xØ220mm±1mm	3000	3590	30W	120	75°
258081 JuniperR 220mm/4000/30W/80/A75/EM1H/IP54	D240xH90xØ220mm±1mm	4000	3740	30W	125	75°
258082 JuniperR 220mm/5000/30W/80/A75/EM1H/IP54	D240xH90xØ220mm±1mm	5000	3840	30W	128	75°
258083 JuniperR 220mm/6500/30W/80/A75/EM1H/IP54	D240xH90xØ220mm±1mm	6500	3740	30W	125	75°
258084 JuniperR 220mm/3000/40W/80/A75/EM1H/IP54	D240xH90xØ220mm±1mm	3000	4785	40W	120	75°
258085 JuniperR 220mm/4000/40W/80/A75/EM1H/IP54	D240xH90xØ220mm±1mm	4000	4985	40W	125	75°
258086 JuniperR 220mm/5000/40W/80/A75/EM1H/IP54	D240xH90xØ220mm±1mm	5000	5120	40W	128	75°
258087 JuniperR 220mm/6500/40W/80/A75/EM1H/IP54	D240xH90xØ220mm±1mm	6500	4985	40W	125	75°
258088 JuniperR 100mm/3000/9W/80/A75/EM3H/IP54	D115xH55xØ100mm±1mm	3000	900	9W	100	75°
258089 JuniperR 100mm/4000/9W/80/A75/EM3H/IP54	D115xH55xØ100mm±1mm	4000	940	9W	105	75°
258090 JuniperR 100mm/5000/9W/80/A75/EM3H/IP54	D115xH55xØ100mm±1mm	5000	965	9W	108	75°
258091 JuniperR 100mm/6500/9W/80/A75/EM3H/IP54	D115xH55xØ100mm±1mm	6500	940	9W	105	75°
258092 JuniperR 177mm/3000/9W/80/A75/EM3H/IP54	D190xH85xØ177mm±1mm	3000	935	9W	104	75°
258093 JuniperR 177mm/4000/9W/80/A75/EM3H/IP54	D190xH85xØ177mm±1mm	4000	975	9W	109	75°

## SKU SPECIFICATIONS

Product Code	Dimensions (mm)	CCT (K)	Lumens (lm)	Power (W)	Eff. (lm/watt)	Lens Angle (°)
<b>CRI 80</b>						
258094 JuniperR 177mm/5000/9W/80/A75/EM3H/IP54	D190xH85xØ177mm±1mm	5000	1000	9W	112	75°
258095 JuniperR 177mm/6500/9W/80/A75/EM3H/IP54	D190xH85xØ177mm±1mm	6500	975	9W	109	75°
258096 JuniperR 220mm/3000/9W/80/A75/EM3H/IP54	D240xH90xØ220mm±1mm	3000	940	9W	105	75°
258097 JuniperR 220mm/4000/9W/80/A75/EM3H/IP54	D240xH90xØ220mm±1mm	4000	980	9W	109	75°
258098 JuniperR 220mm/5000/9W/80/A75/EM3H/IP54	D240xH90xØ220mm±1mm	5000	1005	9W	112	75°
258099 JuniperR 220mm/6500/9W/80/A75/EM3H/IP54	D240xH90xØ220mm±1mm	6500	980	9W	109	75°
258100 JuniperR 100mm/3000/17W/80/A75/EM3H/IP54	D115xH55xØ100mm±1mm	3000	1800	17W	106	75°
258101 JuniperR 100mm/4000/17W/80/A75/EM3H/IP54	D115xH55xØ100mm±1mm	4000	1875	17W	111	75°
258102 JuniperR 100mm/5000/17W/80/A75/EM3H/IP54	D115xH55xØ100mm±1mm	5000	1925	17W	114	75°
258103 JuniperR 100mm/6500/17W/80/A75/EM3H/IP54	D115xH55xØ100mm±1mm	6500	1875	17W	111	75°
258104 JuniperR 177mm/3000/17W/80/A75/EM3H/IP54	D190xH85xØ177mm±1mm	3000	1950	17W	115	75°
258105 JuniperR 177mm/4000/17W/80/A75/EM3H/IP54	D190xH85xØ177mm±1mm	4000	2035	17W	120	75°
258106 JuniperR 177mm/5000/17W/80/A75/EM3H/IP54	D190xH85xØ177mm±1mm	5000	2090	17W	123	75°
258107 JuniperR 177mm/6500/17W/80/A75/EM3H/IP54	D190xH85xØ177mm±1mm	6500	2035	17W	120	75°
258108 JuniperR 220mm/3000/17W/80/A75/EM3H/IP54	D240xH90xØ220mm±1mm	3000	1955	17W	115	75°
258109 JuniperR 220mm/4000/17W/80/A75/EM3H/IP54	D240xH90xØ220mm±1mm	4000	2035	17W	120	75°
258110 JuniperR 220mm/5000/17W/80/A75/EM3H/IP54	D240xH90xØ220mm±1mm	5000	2090	17W	123	75°
258111 JuniperR 220mm/6500/17W/80/A75/EM3H/IP54	D240xH90xØ220mm±1mm	6500	2035	17W	120	75°
258112 JuniperR 177mm/3000/23W/80/A75/EM3H/IP54	D190xH85xØ177mm±1mm	3000	2665	23W	116	75°
258113 JuniperR 177mm/4000/23W/80/A75/EM3H/IP54	D190xH85xØ177mm±1mm	4000	2775	23W	121	75°
258114 JuniperR 177mm/5000/23W/80/A75/EM3H/IP54	D190xH85xØ177mm±1mm	5000	2850	23W	124	75°
258115 JuniperR 177mm/6500/23W/80/A75/EM3H/IP54	D190xH85xØ177mm±1mm	6500	2775	23W	121	75°
258116 JuniperR 220mm/3000/23W/80/A75/EM3H/IP54	D240xH90xØ220mm±1mm	3000	2595	23W	113	75°
258117 JuniperR 220mm/4000/23W/80/A75/EM3H/IP54	D240xH90xØ220mm±1mm	4000	2705	23W	118	75°
258118 JuniperR 220mm/5000/23W/80/A75/EM3H/IP54	D240xH90xØ220mm±1mm	5000	2775	23W	121	75°
258119 JuniperR 220mm/6500/23W/80/A75/EM3H/IP54	D240xH90xØ220mm±1mm	6500	2705	23W	118	75°
258120 JuniperR 177mm/3000/30W/80/A75/EM3H/IP54	D190xH85xØ177mm±1mm	3000	3575	30W	120	75°
258121 JuniperR 177mm/4000/30W/80/A75/EM3H/IP54	D190xH85xØ177mm±1mm	4000	3725	30W	125	75°
258122 JuniperR 177mm/5000/30W/80/A75/EM3H/IP54	D190xH85xØ177mm±1mm	5000	3825	30W	128	75°
258123 JuniperR 177mm/6500/30W/80/A75/EM3H/IP54	D190xH85xØ177mm±1mm	6500	3725	30W	125	75°
258124 JuniperR 220mm/3000/30W/80/A75/EM3H/IP54	D240xH90xØ220mm±1mm	3000	3590	30W	120	75°
258125 JuniperR 220mm/4000/30W/80/A75/EM3H/IP54	D240xH90xØ220mm±1mm	4000	3740	30W	125	75°
258126 JuniperR 220mm/5000/30W/80/A75/EM3H/IP54	D240xH90xØ220mm±1mm	5000	3840	30W	128	75°
258127 JuniperR 220mm/6500/30W/80/A75/EM3H/IP54	D240xH90xØ220mm±1mm	6500	3740	30W	125	75°
258128 JuniperR 220mm/3000/40W/80/A75/EM3H/IP54	D240xH90xØ220mm±1mm	3000	4785	40W	120	75°
258129 JuniperR 220mm/4000/40W/80/A75/EM3H/IP54	D240xH90xØ220mm±1mm	4000	4985	40W	125	75°
258130 JuniperR 220mm/5000/40W/80/A75/EM3H/IP54	D240xH90xØ220mm±1mm	5000	5120	40W	128	75°
258131 JuniperR 220mm/6500/40W/80/A75/EM3H/IP54	D240xH90xØ220mm±1mm	6500	4985	40W	125	75°

Technical specifications can be modified without prior notice. All information is property of Greentek Lighting.

The presentation picture is for information purposes only. Latest document update: November 18, 2019 1:51 PM. [www.greentek.eu](http://www.greentek.eu)