



Rigan

RECESSED SPOTLIGHTS | DALI SERIES

Modern, angular, recessed spotlight for spaces that need precise, concentrated illumination or wall washing effects. Spotlight rotates through 355° and pivots through 65°. Optimized for directional beam in retail shops and commercial spaces, showrooms, art galleries. May be installed onto the wall. Can be equipped with a wide range of special temperature colors.

Rigan recessed spotlights come in several series, with various add-on and controls:

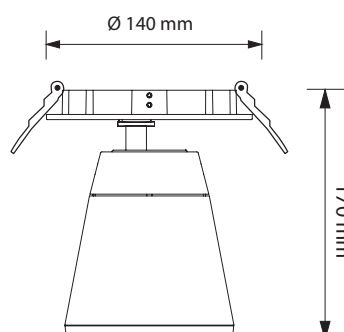
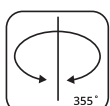
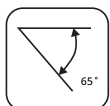
- Rigan Non-DALI – represents the standard for all projects in the retail sector
- Rigan DALI – with DALI controls for illumination adjustments
- Rigan Non-DALI EM – with an emergency lighting kit
- Rigan DALI EM – with both illumination adjustments and emergency kit

APPLICATION

Supermarket | Fashion | Retail | Hospitality | Exhibition | Architectural

FEATURES & BENEFITS

- CRI > 80 as standard, up to 98 for certain special color
- 15 color temperatures, including specialized options for food, fashion, art, hospitality and AGI light
- Variety of optics – 4 angles from narrow beams to flood beams
- Luminaire efficiency: 117lm/W @4000K
- Dimmable



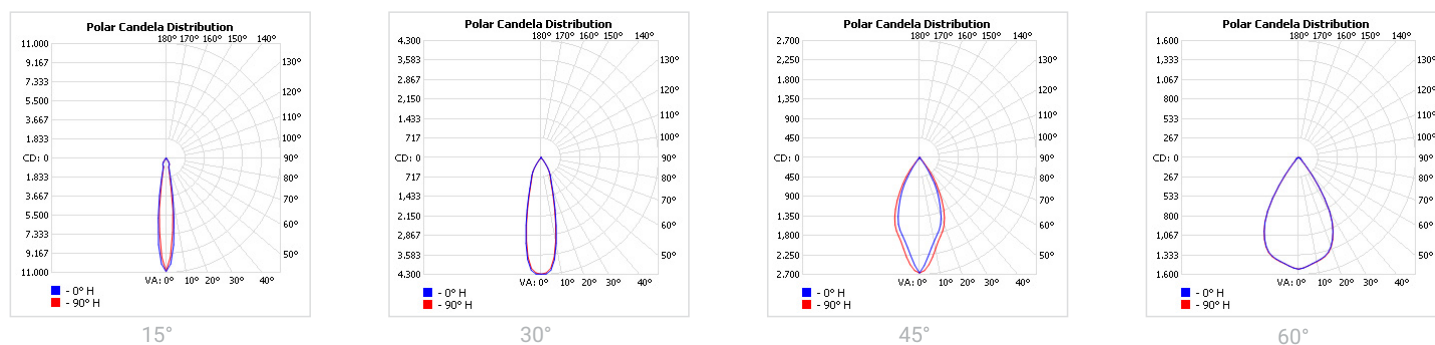
SPECIFICATIONS

| | |
|--------------------------------|---|
| Power consumption | 12W, 14W, 17W, 20W, 23W, 27W |
| Dimensions | D115 x H170 x Ø140mm ± 1mm |
| Weight | 1.1 Kg - 1.2 Kg |
| Housing materials | Aluminium, glass |
| IK code | IK02 |
| THD (at 230V, 50Hz, Full load) | <20% |
| Protection class | Safety class 1 |
| Operating temperature [°C] | -20°C ... +45°C / -4F ... +113F |
| Operating humidity [%] | 10 ÷ 85 |
| Power factor | ≥0.95 |
| AC Input [Vac] | 220 - 240 VAC |
| Lens angle [°] | 15°, 30°, 45°, 60° |
| Lifespan [h] | 50,000 |
| Housing color | ○ RAL 9003 - Signal White, ● RAL 9005 - Jet Black, ● RAL 9006 - White Aluminium |
| Lumen maintenance | L90/B10@50,000h at 25°C |
| IP factor (general) | IP20 |
| Control option | DALI |
| Warranty [years] | 5 |
| Storage temperature range [°C] | -20°C ... +55°C / -4F ... +131F |
| Emergency option | - |

| # | Standard | Food | Fashion | AGI | ART | AMB |
|---------|---------------------------|-----------------------------|---------|------------------------|-------|-------|
| CRI | CRI80 | CRI80 | CRI95 | CRI93 | CRI98 | CRI80 |
| CCT [K] | 2700 / 3000 / 3500 / 4000 | BVF / FBS / FZM / FSM / FSH | FAS | AGI 3000 / 3500 / 4000 | 3000 | 2200 |
| MacAdam | 3 | 3 / 4 / 4 / 3 / 3 | 3 | 3 | 2 | 3 |

CRI - Color rendering, CCT - Color temperature, MacAdam - Color consistency

LIGHT DISTRIBUTION



TOLERANCES

Luminous flux tolerances: -/+ 5%

Consumption tolerance: -/+ 5% for Non-DALI | -/+ 10% for Non-DALI & KIT EM | -/+ 10% for DALI | -/+ 15% for DALI & KIT EM

BATTERY WARRANTY

Non-DALI EM & DALI EM: 12 months warranty

Non-DALI & DALI: -

MAXIMUM NO. OF LUMINAIRES ON A CIRCUIT

| Luminaire Power(W) | Control type | Circuit Breaker Type | | | | | |
|--------------------|--------------|----------------------|----|----|-----|----|----|
| | | B | | | C | | |
| | | 20 | 16 | 10 | 20 | 16 | 10 |
| 8-20W | Non-DALI | 62 | 50 | 31 | 104 | 85 | 52 |
| 23-35W | Non-DALI | 24 | 20 | 10 | 47 | 40 | 20 |
| 42W | Non-DALI | 20 | 16 | 8 | 38 | 32 | 16 |
| 8-20W | DALI | 62 | 50 | 31 | 104 | 85 | 52 |
| 23-27W | DALI | 25 | 21 | 13 | 50 | 42 | 26 |
| 34-42W | DALI | 17 | 14 | 9 | 34 | 28 | 18 |

RISK GROUP

| | |
|--------------------------------|-----|
| Standard (CRI80) | RG1 |
| FOOD (BVF, FBS, FSM) | RG1 |
| FOOD ≤35W (FZM, FSH) | RG1 |
| FOOD >35W (FZM, FSH) | RG2 |
| FAS | RG1 |
| AMB2200 | RG1 |
| ART | RG1 |
| AGI | RG1 |
| CRI90 | RG1 |
| CRI95 | RG1 |
| ENT | RG1 |

RG1

The evaluation of photobiological safety is carried out according to the standard IEC 62471:2008 ("Photobiological safety of lamps and lamp systems"). Following the definition of the risk grouping system of the mentioned IEC standard, the LEDs mounted on this family fall into the class "Low Risk (RG1 – No photobiological hazard under normal behavioral limitations)". Under real circumstances (regarding exposure time, pupils, observation distance), it is assumed that there is no endangerment to the eye from these devices. As a matter of principle, however, it should be mentioned that intense light sources have a high secondary exposure potential due to their blinding effect.

RG2

The evaluation of photobiological safety is carried out according to the standard IEC 62471:2008 ("Photobiological safety of lamps and lamp systems"). Following the definition of the risk grouping system of the mentioned IEC standard, the LEDs mounted on this family fall into the class "Moderate Risk (RG2)". Under real circumstances (regarding exposure time, pupils, observation distance), it is assumed that there is no endangerment to the eye from these devices. As a matter of principle, however, it should be mentioned that intense light sources have a high secondary exposure potential due to their blinding effect.

SKU SPECIFICATIONS

| Product Code | Dimensions (mm) | CCT (K) | Lumens (lm) | Power (W) | Eff. (lm/watt) | Lens Angle (°) |
|-------------------------------------|----------------------|---------|-------------|-----------|----------------|----------------|
| CRI 80 | | | | | | |
| 233000 Rigan R31012/2700/14W/80/A15 | D115xH170xØ140mm±1mm | 2700 | 1485 | 14W | 107 | 15° |
| 233001 Rigan R31012/3000/14W/80/A15 | D115xH170xØ140mm±1mm | 3000 | 1500 | 14W | 108 | 15° |
| 233002 Rigan R31012/3500/14W/80/A15 | D115xH170xØ140mm±1mm | 3500 | 1540 | 14W | 110 | 15° |
| 233003 Rigan R31012/4000/14W/80/A15 | D115xH170xØ140mm±1mm | 4000 | 1570 | 14W | 113 | 15° |
| 233005 Rigan R31012/2700/14W/80/A30 | D115xH170xØ140mm±1mm | 2700 | 1485 | 14W | 107 | 30° |
| 233006 Rigan R31012/3000/14W/80/A30 | D115xH170xØ140mm±1mm | 3000 | 1500 | 14W | 108 | 30° |
| 233007 Rigan R31012/3500/14W/80/A30 | D115xH170xØ140mm±1mm | 3500 | 1540 | 14W | 110 | 30° |
| 233008 Rigan R31012/4000/14W/80/A30 | D115xH170xØ140mm±1mm | 4000 | 1570 | 14W | 113 | 30° |
| 233010 Rigan R31012/2700/14W/80/A45 | D115xH170xØ140mm±1mm | 2700 | 1485 | 14W | 107 | 45° |
| 233011 Rigan R31012/3000/14W/80/A45 | D115xH170xØ140mm±1mm | 3000 | 1500 | 14W | 108 | 45° |
| 233012 Rigan R31012/3500/14W/80/A45 | D115xH170xØ140mm±1mm | 3500 | 1540 | 14W | 110 | 45° |
| 233013 Rigan R31012/4000/14W/80/A45 | D115xH170xØ140mm±1mm | 4000 | 1570 | 14W | 113 | 45° |
| 233015 Rigan R31012/2700/14W/80/A60 | D115xH170xØ140mm±1mm | 2700 | 1485 | 14W | 107 | 60° |
| 233016 Rigan R31012/3000/14W/80/A60 | D115xH170xØ140mm±1mm | 3000 | 1500 | 14W | 108 | 60° |
| 233017 Rigan R31012/3500/14W/80/A60 | D115xH170xØ140mm±1mm | 3500 | 1540 | 14W | 110 | 60° |
| 233018 Rigan R31012/4000/14W/80/A60 | D115xH170xØ140mm±1mm | 4000 | 1570 | 14W | 113 | 60° |
| 233020 Rigan R31012/2700/20W/80/A15 | D115xH170xØ140mm±1mm | 2700 | 2080 | 20W | 104 | 15° |
| 233021 Rigan R31012/3000/20W/80/A15 | D115xH170xØ140mm±1mm | 3000 | 2100 | 20W | 105 | 15° |
| 233022 Rigan R31012/3500/20W/80/A15 | D115xH170xØ140mm±1mm | 3500 | 2160 | 20W | 108 | 15° |
| 233023 Rigan R31012/4000/20W/80/A15 | D115xH170xØ140mm±1mm | 4000 | 2200 | 20W | 110 | 15° |
| 233025 Rigan R31012/2700/20W/80/A30 | D115xH170xØ140mm±1mm | 2700 | 2080 | 20W | 104 | 30° |
| 233026 Rigan R31012/3000/20W/80/A30 | D115xH170xØ140mm±1mm | 3000 | 2100 | 20W | 105 | 30° |
| 233027 Rigan R31012/3500/20W/80/A30 | D115xH170xØ140mm±1mm | 3500 | 2160 | 20W | 108 | 30° |
| 233028 Rigan R31012/4000/20W/80/A30 | D115xH170xØ140mm±1mm | 4000 | 2200 | 20W | 110 | 30° |
| 233030 Rigan R31012/2700/20W/80/A45 | D115xH170xØ140mm±1mm | 2700 | 2080 | 20W | 104 | 45° |
| 233031 Rigan R31012/3000/20W/80/A45 | D115xH170xØ140mm±1mm | 3000 | 2100 | 20W | 105 | 45° |
| 233032 Rigan R31012/3500/20W/80/A45 | D115xH170xØ140mm±1mm | 3500 | 2160 | 20W | 108 | 45° |
| 233033 Rigan R31012/4000/20W/80/A45 | D115xH170xØ140mm±1mm | 4000 | 2200 | 20W | 110 | 45° |
| 233035 Rigan R31012/2700/20W/80/A60 | D115xH170xØ140mm±1mm | 2700 | 2080 | 20W | 104 | 60° |
| 233036 Rigan R31012/3000/20W/80/A60 | D115xH170xØ140mm±1mm | 3000 | 2100 | 20W | 105 | 60° |
| 233037 Rigan R31012/3500/20W/80/A60 | D115xH170xØ140mm±1mm | 3500 | 2160 | 20W | 108 | 60° |
| 233038 Rigan R31012/4000/20W/80/A60 | D115xH170xØ140mm±1mm | 4000 | 2200 | 20W | 110 | 60° |
| 233040 Rigan R31012/2700/27W/80/A15 | D115xH170xØ140mm±1mm | 2700 | 2945 | 27W | 110 | 15° |
| 233041 Rigan R31012/3000/27W/80/A15 | D115xH170xØ140mm±1mm | 3000 | 2970 | 27W | 110 | 15° |
| 233042 Rigan R31012/3500/27W/80/A15 | D115xH170xØ140mm±1mm | 3500 | 3055 | 27W | 114 | 15° |
| 233043 Rigan R31012/4000/27W/80/A15 | D115xH170xØ140mm±1mm | 4000 | 3135 | 27W | 117 | 15° |
| 233045 Rigan R31012/2700/27W/80/A30 | D115xH170xØ140mm±1mm | 2700 | 2945 | 27W | 110 | 30° |
| 233046 Rigan R31012/3000/27W/80/A30 | D115xH170xØ140mm±1mm | 3000 | 2970 | 27W | 110 | 30° |
| 233047 Rigan R31012/3500/27W/80/A30 | D115xH170xØ140mm±1mm | 3500 | 3055 | 27W | 114 | 30° |
| 233048 Rigan R31012/4000/27W/80/A30 | D115xH170xØ140mm±1mm | 4000 | 3135 | 27W | 117 | 30° |
| 233050 Rigan R31012/2700/27W/80/A45 | D115xH170xØ140mm±1mm | 2700 | 2945 | 27W | 110 | 45° |
| 233051 Rigan R31012/3000/27W/80/A45 | D115xH170xØ140mm±1mm | 3000 | 2970 | 27W | 110 | 45° |
| 233052 Rigan R31012/3500/27W/80/A45 | D115xH170xØ140mm±1mm | 3500 | 3055 | 27W | 114 | 45° |
| 233053 Rigan R31012/4000/27W/80/A45 | D115xH170xØ140mm±1mm | 4000 | 3135 | 27W | 117 | 45° |
| 233055 Rigan R31012/2700/27W/80/A60 | D115xH170xØ140mm±1mm | 2700 | 2945 | 27W | 110 | 60° |
| 233056 Rigan R31012/3000/27W/80/A60 | D115xH170xØ140mm±1mm | 3000 | 2970 | 27W | 110 | 60° |
| 233057 Rigan R31012/3500/27W/80/A60 | D115xH170xØ140mm±1mm | 3500 | 3055 | 27W | 114 | 60° |
| 233058 Rigan R31012/4000/27W/80/A60 | D115xH170xØ140mm±1mm | 4000 | 3135 | 27W | 117 | 60° |
| 233060 Rigan R31012/BVF/27W/80/A15 | D115xH170xØ140mm±1mm | BVF | 2065 | 27W | 77 | 15° |
| 233061 Rigan R31012/FBS/27W/80/A15 | D115xH170xØ140mm±1mm | FBS | 1635 | 27W | 61 | 15° |

SKU SPECIFICATIONS

| Product Code | Dimensions (mm) | CCT (K) | Lumens (lm) | Power (W) | Eff. (lm/watt) | Lens Angle (°) |
|--|----------------------|---------|-------------|-----------|----------------|----------------|
| CRI 80 | | | | | | |
| 233062 Rigan R31012/FZM/27W/80/A15 | D115xH170xØ140mm±1mm | FZM | 1530 | 27W | 57 | 15° |
| 233063 Rigan R31012/FSM/27W/80/A15 | D115xH170xØ140mm±1mm | FSM | 1530 | 27W | 57 | 15° |
| 233148 Rigan R31012/FSH/27W/80/A15 | D115xH170xØ140mm±1mm | FSH | 2250 | 27W | 84 | 15° |
| 233064 Rigan R31012/BVF/27W/80/A30 | D115xH170xØ140mm±1mm | BVF | 2065 | 27W | 77 | 30° |
| 233065 Rigan R31012/FBS/27W/80/A30 | D115xH170xØ140mm±1mm | FBS | 1635 | 27W | 61 | 30° |
| 233066 Rigan R31012/FZM/27W/80/A30 | D115xH170xØ140mm±1mm | FZM | 1530 | 27W | 57 | 30° |
| 233067 Rigan R31012/FSM/27W/80/A30 | D115xH170xØ140mm±1mm | FSM | 1530 | 27W | 57 | 30° |
| 233149 Rigan R31012/FSH/27W/80/A30 | D115xH170xØ140mm±1mm | FSH | 2250 | 27W | 84 | 30° |
| 233068 Rigan R31012/BVF/27W/80/A45 | D115xH170xØ140mm±1mm | BVF | 2065 | 27W | 77 | 45° |
| 233069 Rigan R31012/FBS/27W/80/A45 | D115xH170xØ140mm±1mm | FBS | 1635 | 27W | 61 | 45° |
| 233070 Rigan R31012/FZM/27W/80/A45 | D115xH170xØ140mm±1mm | FZM | 1530 | 27W | 57 | 45° |
| 233071 Rigan R31012/FSM/27W/80/A45 | D115xH170xØ140mm±1mm | FSM | 1530 | 27W | 57 | 45° |
| 233150 Rigan R31012/FSH/27W/80/A45 | D115xH170xØ140mm±1mm | FSH | 2250 | 27W | 84 | 45° |
| 233072 Rigan R31012/BVF/27W/80/A60 | D115xH170xØ140mm±1mm | BVF | 2065 | 27W | 77 | 60° |
| 233073 Rigan R31012/FBS/27W/80/A60 | D115xH170xØ140mm±1mm | FBS | 1635 | 27W | 61 | 60° |
| 233074 Rigan R31012/FZM/27W/80/A60 | D115xH170xØ140mm±1mm | FZM | 1530 | 27W | 57 | 60° |
| 233075 Rigan R31012/FSM/27W/80/A60 | D115xH170xØ140mm±1mm | FSM | 1530 | 27W | 57 | 60° |
| 233151 Rigan R31012/FSH/27W/80/A60 | D115xH170xØ140mm±1mm | FSH | 2250 | 27W | 84 | 60° |
| 233432 Rigan R31012/AMB2200/14W/80/A15 | D115xH170xØ140mm±1mm | AMB2200 | 1020 | 14W | 73 | 15° |
| 233433 Rigan R31012/AMB2200/14W/80/A30 | D115xH170xØ140mm±1mm | AMB2200 | 1020 | 14W | 73 | 30° |
| 233434 Rigan R31012/AMB2200/14W/80/A45 | D115xH170xØ140mm±1mm | AMB2200 | 1020 | 14W | 73 | 45° |
| 233435 Rigan R31012/AMB2200/14W/80/A60 | D115xH170xØ140mm±1mm | AMB2200 | 1020 | 14W | 73 | 60° |
| 233436 Rigan R31012/AMB2200/20W/80/A15 | D115xH170xØ140mm±1mm | AMB2200 | 1410 | 20W | 71 | 15° |
| 233437 Rigan R31012/AMB2200/20W/80/A30 | D115xH170xØ140mm±1mm | AMB2200 | 1410 | 20W | 71 | 30° |
| 233438 Rigan R31012/AMB2200/20W/80/A45 | D115xH170xØ140mm±1mm | AMB2200 | 1410 | 20W | 71 | 45° |
| 233439 Rigan R31012/AMB2200/20W/80/A60 | D115xH170xØ140mm±1mm | AMB2200 | 1410 | 20W | 71 | 60° |
| 233440 Rigan R31012/AMB2200/27W/80/A15 | D115xH170xØ140mm±1mm | AMB2200 | 1870 | 27W | 70 | 15° |
| 233441 Rigan R31012/AMB2200/27W/80/A30 | D115xH170xØ140mm±1mm | AMB2200 | 1870 | 27W | 70 | 30° |
| 233442 Rigan R31012/AMB2200/27W/80/A45 | D115xH170xØ140mm±1mm | AMB2200 | 1870 | 27W | 70 | 45° |
| 233443 Rigan R31012/AMB2200/27W/80/A60 | D115xH170xØ140mm±1mm | AMB2200 | 1870 | 27W | 70 | 60° |
| CRI 93 | | | | | | |
| 233272 Rigan R31012/AGI3000/12W/93/A15 | D115xH170xØ140mm±1mm | AGI3000 | 735 | 12W | 62 | 15° |
| 233273 Rigan R31012/AGI3500/12W/93/A15 | D115xH170xØ140mm±1mm | AGI3500 | 780 | 12W | 65 | 15° |
| 233274 Rigan R31012/AGI4000/12W/93/A15 | D115xH170xØ140mm±1mm | AGI4000 | 830 | 12W | 70 | 15° |
| 233275 Rigan R31012/AGI3000/12W/93/A30 | D115xH170xØ140mm±1mm | AGI3000 | 735 | 12W | 62 | 30° |
| 233276 Rigan R31012/AGI3500/12W/93/A30 | D115xH170xØ140mm±1mm | AGI3500 | 780 | 12W | 65 | 30° |
| 233277 Rigan R31012/AGI4000/12W/93/A30 | D115xH170xØ140mm±1mm | AGI4000 | 830 | 12W | 70 | 30° |
| 233278 Rigan R31012/AGI3000/12W/93/A45 | D115xH170xØ140mm±1mm | AGI3000 | 735 | 12W | 62 | 45° |
| 233279 Rigan R31012/AGI3500/12W/93/A45 | D115xH170xØ140mm±1mm | AGI3500 | 780 | 12W | 65 | 45° |
| 233280 Rigan R31012/AGI4000/12W/93/A45 | D115xH170xØ140mm±1mm | AGI4000 | 830 | 12W | 70 | 45° |
| 233281 Rigan R31012/AGI3000/12W/93/A60 | D115xH170xØ140mm±1mm | AGI3000 | 735 | 12W | 62 | 60° |
| 233282 Rigan R31012/AGI3500/12W/93/A60 | D115xH170xØ140mm±1mm | AGI3500 | 780 | 12W | 65 | 60° |
| 233283 Rigan R31012/AGI4000/12W/93/A60 | D115xH170xØ140mm±1mm | AGI4000 | 830 | 12W | 70 | 60° |
| 233284 Rigan R31012/AGI3000/17W/93/A15 | D115xH170xØ140mm±1mm | AGI3000 | 985 | 17W | 58 | 15° |
| 233285 Rigan R31012/AGI3500/17W/93/A15 | D115xH170xØ140mm±1mm | AGI3500 | 1050 | 17W | 62 | 15° |
| 233286 Rigan R31012/AGI4000/17W/93/A15 | D115xH170xØ140mm±1mm | AGI4000 | 1115 | 17W | 66 | 15° |
| 233287 Rigan R31012/AGI3000/17W/93/A30 | D115xH170xØ140mm±1mm | AGI3000 | 985 | 17W | 58 | 30° |
| 233288 Rigan R31012/AGI3500/17W/93/A30 | D115xH170xØ140mm±1mm | AGI3500 | 1050 | 17W | 62 | 30° |
| 233289 Rigan R31012/AGI4000/17W/93/A30 | D115xH170xØ140mm±1mm | AGI4000 | 1115 | 17W | 66 | 30° |

SKU SPECIFICATIONS

| Product Code | Dimensions (mm) | CCT (K) | Lumens (lm) | Power (W) | Eff. (lm/watt) | Lens Angle (°) |
|--|----------------------|---------|-------------|-----------|----------------|----------------|
| CRI 93 | | | | | | |
| 233290 Rigan R31012/AGI3000/17W/93/A45 | D115xH170xØ140mm±1mm | AGI3000 | 985 | 17W | 58 | 45° |
| 233291 Rigan R31012/AGI3500/17W/93/A45 | D115xH170xØ140mm±1mm | AGI3500 | 1050 | 17W | 62 | 45° |
| 233292 Rigan R31012/AGI4000/17W/93/A45 | D115xH170xØ140mm±1mm | AGI4000 | 1115 | 17W | 66 | 45° |
| 233293 Rigan R31012/AGI3000/17W/93/A60 | D115xH170xØ140mm±1mm | AGI3000 | 985 | 17W | 58 | 60° |
| 233294 Rigan R31012/AGI3500/17W/93/A60 | D115xH170xØ140mm±1mm | AGI3500 | 1050 | 17W | 62 | 60° |
| 233295 Rigan R31012/AGI4000/17W/93/A60 | D115xH170xØ140mm±1mm | AGI4000 | 1115 | 17W | 66 | 60° |
| 233296 Rigan R31012/AGI3000/23W/93/A15 | D115xH170xØ140mm±1mm | AGI3000 | 1330 | 23W | 58 | 15° |
| 233297 Rigan R31012/AGI3500/23W/93/A15 | D115xH170xØ140mm±1mm | AGI3500 | 1440 | 23W | 63 | 15° |
| 233298 Rigan R31012/AGI4000/23W/93/A15 | D115xH170xØ140mm±1mm | AGI4000 | 1550 | 23W | 68 | 15° |
| 233299 Rigan R31012/AGI3000/23W/93/A30 | D115xH170xØ140mm±1mm | AGI3000 | 1330 | 23W | 58 | 30° |
| 233300 Rigan R31012/AGI3500/23W/93/A30 | D115xH170xØ140mm±1mm | AGI3500 | 1440 | 23W | 63 | 30° |
| 233301 Rigan R31012/AGI4000/23W/93/A30 | D115xH170xØ140mm±1mm | AGI4000 | 1550 | 23W | 68 | 30° |
| 233302 Rigan R31012/AGI3000/23W/93/A45 | D115xH170xØ140mm±1mm | AGI3000 | 1330 | 23W | 58 | 45° |
| 233303 Rigan R31012/AGI3500/23W/93/A45 | D115xH170xØ140mm±1mm | AGI3500 | 1440 | 23W | 63 | 45° |
| 233304 Rigan R31012/AGI4000/23W/93/A45 | D115xH170xØ140mm±1mm | AGI4000 | 1550 | 23W | 68 | 45° |
| 233305 Rigan R31012/AGI3000/23W/93/A60 | D115xH170xØ140mm±1mm | AGI3000 | 1330 | 23W | 58 | 60° |
| 233306 Rigan R31012/AGI3500/23W/93/A60 | D115xH170xØ140mm±1mm | AGI3500 | 1440 | 23W | 63 | 60° |
| 233307 Rigan R31012/AGI4000/23W/93/A60 | D115xH170xØ140mm±1mm | AGI4000 | 1550 | 23W | 68 | 60° |
| CRI 95 | | | | | | |
| 233084 Rigan R31012/FAS/27W/95/A15 | D115xH170xØ140mm±1mm | FAS | 2080 | 27W | 78 | 15° |
| 233085 Rigan R31012/FAS/27W/95/A30 | D115xH170xØ140mm±1mm | FAS | 2080 | 27W | 78 | 30° |
| 233086 Rigan R31012/FAS/27W/95/A45 | D115xH170xØ140mm±1mm | FAS | 2080 | 27W | 78 | 45° |
| 233087 Rigan R31012/FAS/27W/95/A60 | D115xH170xØ140mm±1mm | FAS | 2080 | 27W | 78 | 60° |
| CRI 98 | | | | | | |
| 233156 Rigan R31012/ART3000/27W/98/A15 | D115xH170xØ140mm±1mm | ART3000 | 1995 | 27W | 74 | 15° |
| 233157 Rigan R31012/ART3000/27W/98/A30 | D115xH170xØ140mm±1mm | ART3000 | 1995 | 27W | 74 | 30° |
| 233158 Rigan R31012/ART3000/27W/98/A45 | D115xH170xØ140mm±1mm | ART3000 | 1995 | 27W | 74 | 45° |
| 233159 Rigan R31012/ART3000/27W/98/A60 | D115xH170xØ140mm±1mm | ART3000 | 1995 | 27W | 74 | 60° |