

Installation guide - Montageanleitung Guide d'installation - Ghid de instalare

Liwa - Track Mounted

TEC Series / ECO-DALI Series



ATTENTION / ACHTUNG / ATTENTION / ATENȚIE

EN Installation guide

1. Turn power off before inspection, installation or removal.
2. Properly ground electrical enclosure.
3. Follow all IEC and local building codes.
4. Do not operate luminaire with damaged parts.
5. Please see technical data sheet for electrical properties to ensure safe installation.
6. The grounding and bonding of the overall system shall be done in accordance to local electric code of the country where the luminaire is installed.
7. For indoor use, only.
8. Installation should be performed by a qualified electrician in compliance with these instructions and applicable standards.
9. Do not cover the front or rear of the luminaire.

DE Montageanleitung

1. Schalten Sie die Stromversorgung vor der Überprüfung, Montage oder Demontage aus.
2. Stellen Sie sicher, dass die elektrische Verbindung ordnungsgemäß geerdet ist.
3. Befolgen Sie die IEC-Norm und alle lokalen Bauvorschriften.
4. Betreiben Sie die Leuchte nicht mit beschädigten Teilen.
5. Informationen zu elektrischen Eigenschaften finden Sie im technischen Datenblatt, um eine sichere Montage zu gewährleisten.
6. Der Erdanschluss und Verbindung des Gesamtsystems muss gemäß den lokalen Vorschriften in dem Land, in dem die Leuchte montiert wird, erfolgen.
7. Nur für den Innenbereich.
8. Die Montage sollte von einem qualifizierten Elektriker gemäß den vorliegenden Anleitungen und geltenden Normen durchgeführt werden.
9. Decken Sie nicht die Vorder- oder Rückseite der Leuchte ab.

FR Guide d'installation

1. Coupez l'alimentation avant l'inspection, l'installation ou la désinstallation.
2. Reliez correctement le boîtier électrique à la terre.
3. Respectez toutes les normes IEC et locales en vigueur.
4. Ne faites pas fonctionner le luminaire si l'un de ses composants est endommagé.
5. Veuillez consulter la fiche des caractéristiques techniques pour les propriétés électriques afin d'assurer une installation sécuritaire.
6. La mise à la masse et la mise en continuité du système complet doivent être réalisées conformément au code local de l'électricité du pays où le luminaire est installé.
7. Réservé à l'utilisation en intérieur.
8. Il est conseillé de confier l'installation à un électricien qualifié qui devra se conformer aux instructions et aux normes concernant les installations.
9. Ne pas couvrir l'avant ou l'arrière du luminaire.

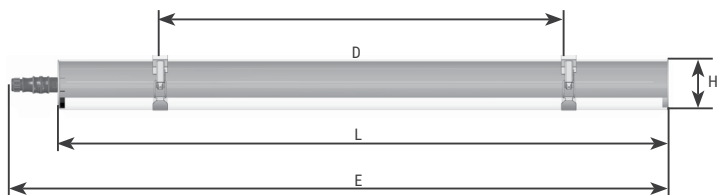
RO Ghid de instalare

1. Oprîți alimentarea cu energie electrică înainte de a efectua orice operație de verificare, instalare sau dezinstalare.
2. Efectuați corect conexiunea la nulul de protecție al instalației electrice.
3. Respectați directiva IEC și toate directivele locale.
4. Nu folosiți corpul de iluminat dacă prezintă componente deteriorate.
5. Pentru a asigura instalarea în siguranță, consultați fișa tehnică cu proprietățile instalației electrice.
6. Legarea la nulul de protecție și conectarea întregului sistem trebuie efectuate conform normelor locale privind instalațiile electrice din țara în care se montează corpul de iluminat.
7. Doar pentru uz interior.
8. Instalarea trebuie realizată de către un electrician calificat, în concordanță cu instrucțiunile și standardele aplicabile.
9. Nu acoperiți partea din față sau din spate a corpului de iluminat.

Liwa - Track Mounted



1. The luminaire

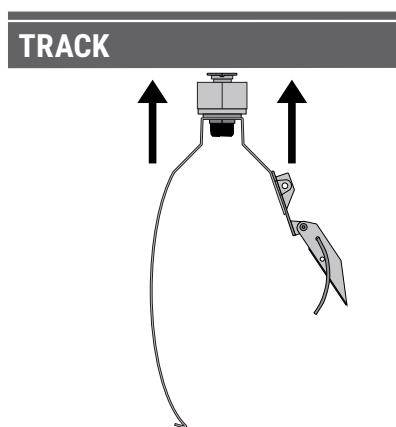


L	E	D min.	D max.	H
644	740	500	550	100
1244	1340	600	1150	100
1544	1640	750	1450	100

2. Mechanical Adapter*

- 1295 GT1 LTRK/TRK/D13

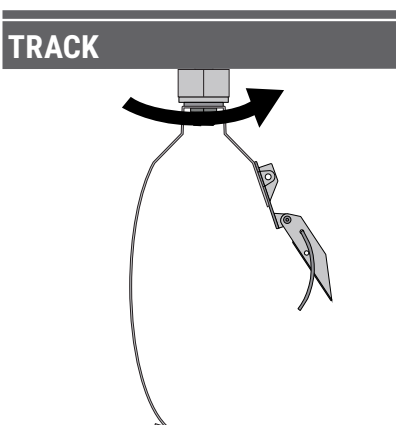
a. Insert the mechanical adapter into the track.



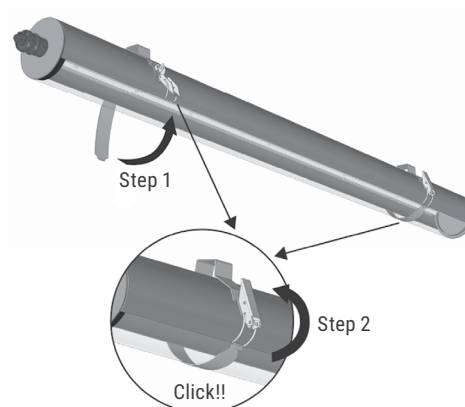
b. Make sure that the mechanical adapter is properly inserted into the track.



c. Rotate (90 deg.) the mechanical adapter until it locks on the track.



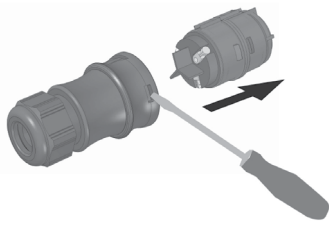
d. Lock the luminaire on the mechanical adapters following the steps in the picture below.



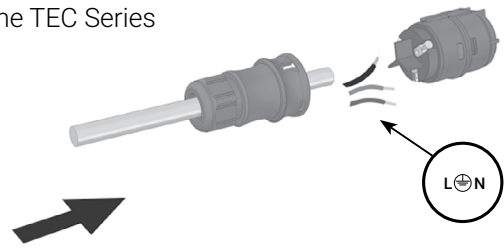
*For the installation of 1 luminaire, you need 2 mechanical adapters.

3. Connection between the luminaire and the track electrical adapter

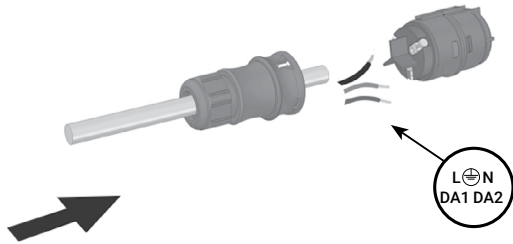
a.



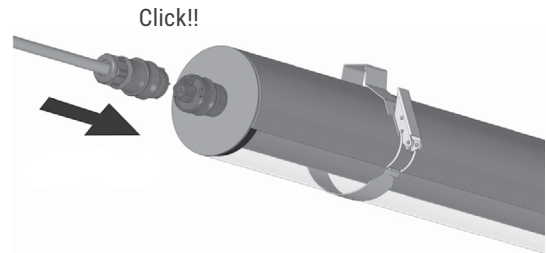
b.1. For the TEC Series



b.2. For the ECO-DALI Series

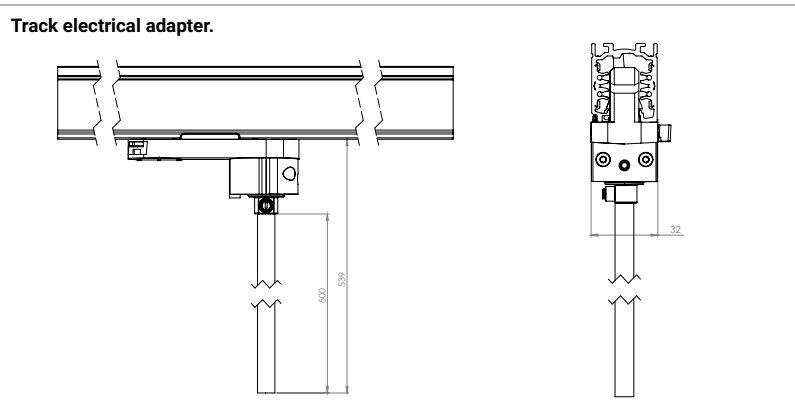


c.



4. Track electrical adapter

- 160157 9209-4/W S-9009/BC-W/Cable asymmetrical adapter/3*1.5mm/500mm/White
- 160158 9209-4/B S-9009/BC-B/Cable asymmetrical adapter/3*1.5mm/500mm/Black
- 160159 9209-4/G S-9009/BC-G/Cable asymmetrical adapter/3*1.5mm/500mm/Grey



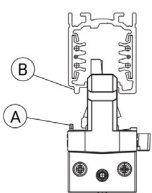
a. Adapter with cable mounting into the track

Insert the adapter into the track, so that the mechanical key (A) in the adapter matches the groove (B) in the track (pic.I). Rotate of about 90° the lever of the cam (C) until it reaches the locking position (pic.II).

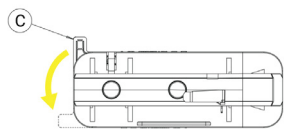
b. Phase selection

When the track is connected to a three-phase system it is possible to select the phase (L1, L2 or L3) to distribute the single luminaires in the system, by means of the proper selector (A) of the adapter (pic.III).

I. MECHANICAL KEY



II. CAM ROTATION



III. PHASE SELECTOR

