



Tulip L

SURFACE MOUNTED | PI-LED SERIES

A highly elegant, compact track spotlight. The radiator is encased in the aluminum housing, allowing for a smooth design. Tulip L range includes several special color temperatures for food, art and fashion. Especially suitable for commercial spaces and showrooms that require a sleek, minimalistic luminaire.

PI-LED - Combines variable white light and light of the RGB color system in one single light source. It can vary the color temperature between 1.800K - 16.000K along Planckian curve in the course of a day.

The modern touch is given by the aluminum housing and three color options: signal white, jet black and white aluminum.

Available in two series, with different add-ons and controls:

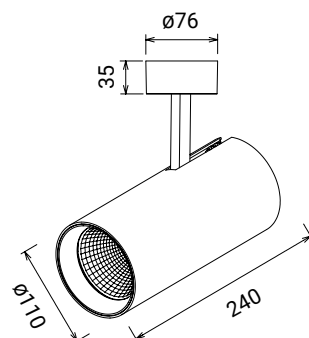
- Tulip L Non-DALI – the standard for any project in the retail sector
- Tulip L DALI – with DALI controls for illumination adjustments
- Tulip L PI-LED – *simulates the spectral quality of natural daylight over the entire day.*

APPLICATION

High End Grocery & Supermarkets | Fashion Retailers | Hospitality | Art & Exhibitions

FEATURES & BENEFITS

- CRI > 90 as standard
- Great variety of optics – 4 angles, from narrow beams to flood beams, for each housing size
- Efficiency: 54 lm/W
- Very long service life: 50.000 h at 90% luminous flux
- Dimmable



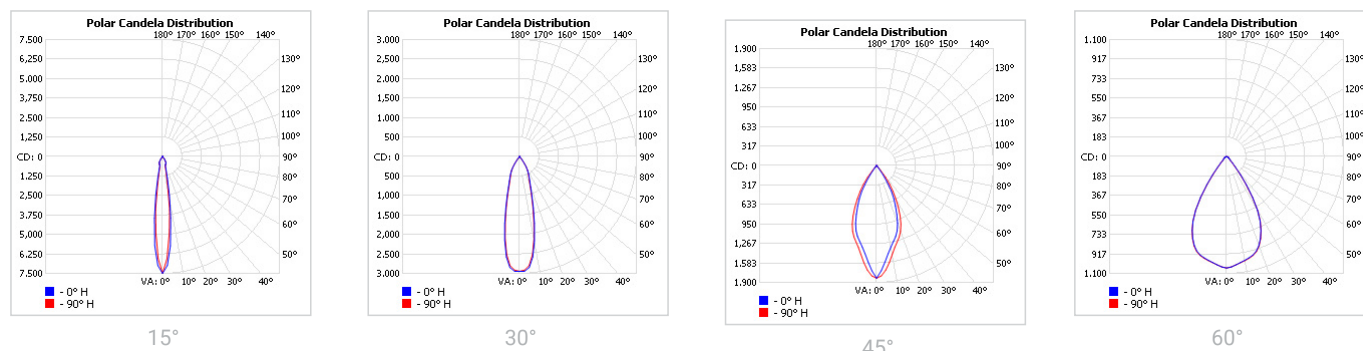
SPECIFICATIONS

Power consumption	26W
Dimensions	Ø110x240x285mm±1mm
Weight	1.9 kg
Housing materials	Aluminium, Glass
IK code	IK02
THD (at 230V, 50Hz, Full load)	< 8%
Protection class	Safety class 1
Operating temperature [°C]	+10°C ... +45°C / +50F ... +113F
Operating humidity [%]	10 ÷ 85
Power factor	≥0.85
AC Input [Vac]	220 - 240 VAC
Lens angle [°]	15°, 30°, 45°, 60°
Lifespan [h]	50.000
Housing color	○ RAL 9003 - Signal white, ● RAL 9005 - Jet Black, ● RAL 9006 - White Aluminium
Lumen maintenance	L70/B10@50.000h at 25°C
IP factor	IP20
Control optional	DALI
Warranty [years]	5
Storage temperature range [°C]	-20°C ... +80°C / -4F ... +176F
Emergency option	-

#	Standard
CRI	CRI90
CCT [K]	PI
MacAdam	1

CRI - Color rendering, CCT - Color temperature, MacAdam - Color consistency

LIGHT DISTRIBUTION



TOLERANCES

Luminous flux tolerances: -/+ 5%

Consumption tolerance: -/+ 5% for Non-DALI | -/+ 10% for Non-DALI & KIT EM | -/+ 10% for DALI | -/+ 15% for DALI & KIT EM

BATTERY WARRANTY

Non-DALI EM & DALI EM: 12 months warranty

Non-DALI & DALI: -

SKU SPECIFICATIONS

Product Code	Dimensions (mm)	CCT (K)	Lumens (lm)	Power (W)	Eff. (lm/watt)	Lens Angle (°)
CRI 90						
2G1506 TulipL SM C34017R/PI/26W/90/A15	Ø110x240x285mm±1mm	PI	1400	26W	54	15°
2G1507 TulipL SM C34017R/PI/26W/90/A30	Ø110x240x285mm±1mm	PI	1400	26W	54	30°
2G1508 TulipL SM C34017R/PI/26W/90/A45	Ø110x240x285mm±1mm	PI	1400	26W	54	45°
2G1509 TulipL SM C34017R/PI/26W/90/A60	Ø110x240x285mm±1mm	PI	1400	26W	54	60°