



Tulip L

SURFACE MOUNTED | DALI SERIES

A highly elegant, compact track spotlight. The radiator is encased in the aluminum housing, allowing for a smooth design. Tulip L range includes several special color temperatures for food, art and fashion. Especially suitable for commercial spaces and showrooms that require a sleek, minimalistic luminaire.

PI-LED - Combines variable white light and light of the RGB color system in one single light source. It can vary the color temperature between 1800K - 16000K along Planckian curve in the course of a day.

The modern touch is given by the aluminum housing and three color options: signal white, jet black and white aluminum.

Available in two series, with different add-ons and controls:

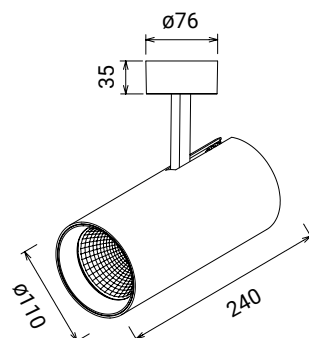
- Tulip L Non-DALI – the standard for any project in the retail sector
- Tulip L DALI – with DALI controls for illumination adjustments
- Tulip L PI-LED – simulates the spectral quality of natural daylight over the entire day.

APPLICATION

High End Grocery & Supermarkets | Fashion Retailers | Hospitality | Art & Exhibitions

FEATURES & BENEFITS

- CRI > 80 as standard, up to 98 for certain special colors
- 16 color temperatures, including special color temperatures for different applications such as food, art, AGI light, hospitality light (AMB2200) and entertainment (ENT5600)
- Great variety of optics – 4 angles, from narrow beams to flood beams, for each housing size
- Efficiency: 109 lm/W @4000K
- Very long service life: 50.000 h at 90% luminous flux
- Dimmable (only for DALI Series and PI-LED Series)



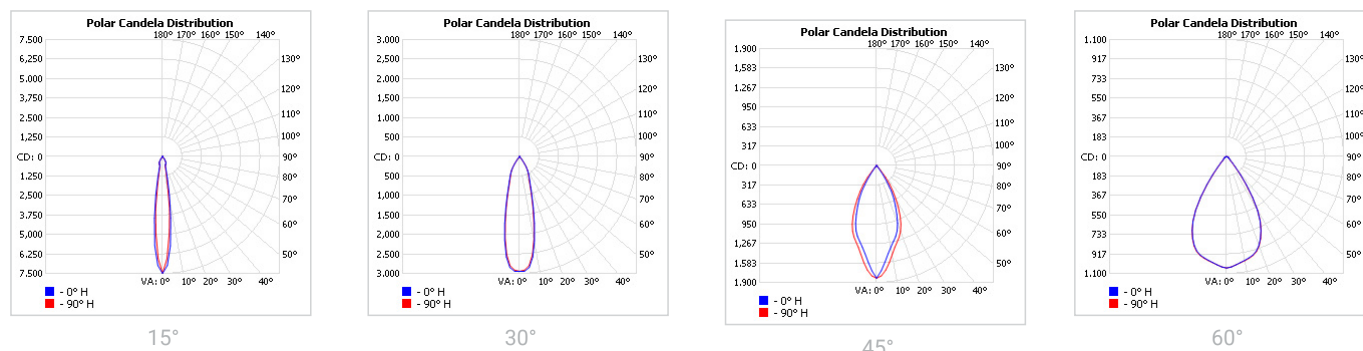
SPECIFICATIONS

Power consumption	14W, 16W, 20W, 21W, 27W, 32W, 35W
Dimensions	Ø110x240x285mm±1mm
Weight	1.7 kg
Housing materials	Aluminium, glass
IK code	IK02
THD (at 230V, 50Hz, Full load)	< 8%
Protection class	Safety class 1
Operating temperature [°C]	-20°C ... +45°C / -4F ... +113F
Operating humidity [%]	10 ÷ 85
Power factor	≥0.95
AC Input [Vac]	220 - 240 VAC
Lens angle [°]	15°, 30°, 45°, 60°
Lifespan [h]	50.000
Housing color	○ RAL 9003 - Signal white, ● RAL 9005 - Jet Black, ● RAL 9006 - White Aluminium
Lumen maintenance	L90/B10@50.000h at 25°C
IP factor	IP20
Control optional	DALI
Warranty [years]	5
Storage temperature range [°C]	-20°C ... +55°C / -4F ... +131F
Emergency option	-

#	Standard	Food	Fashion	ENT / AGI	ART	AMB
CRI	CRI80	CRI80	CRI95	CRI90 & CRI97 / CRI93	CRI98	CRI80
CCT [K]	2700 / 3000 / 3500 / 4000	BVF / FBS / FZM / FSM / FSH	FAS	5600 / AGI 3000 / 3500 / 4000	3000	2200
MacAdam	3	3 / 4 / 4 / 3 / 3	3	3	2	3

CRI - Color rendering, CCT - Color temperature, MacAdam - Color consistency

LIGHT DISTRIBUTION



TOLERANCES**Luminous flux tolerances:** -/+ 5%**Consumption tolerance:** -/+ 5% for Non-DALI | -/+ 10% for Non-DALI & KIT EM | -/+ 10% for DALI | -/+ 15% for DALI & KIT EM**BATTERY WARRANTY****Non-DALI EM & DALI EM:** 12 months warranty**Non-DALI & DALI:** -**MAXIMUM NO. OF LUMINAIRES ON A CIRCUIT**

Luminaire Power(W)	Control type	Circuit Breaker Type					
		B			C		
		20	16	10	20	16	10
14-20W	Non-DALI	62	50	31	104	85	52
27-35W	Non-DALI	62	50	31	104	85	52
14W	DALI	44	35	21	73	58	35
20W	DALI	40	32	18	66	53	30
27W-35W	DALI	28	22	13	46	36	21

RISK GROUP

Standard (CRI80)	RG1
FOOD (BVF, FBS, FSM)	RG1
FOOD ≤35W (FZM, FSH)	RG1
FOOD >35W (FZM, FSH)	RG2
FAS	RG1
AMB2200	RG1
ART	RG1
AGI	RG1
CRI90	RG1
CRI95	RG1
ENT	RG1

RG1

The evaluation of photobiological safety is carried out according to the standard IEC 62471:2008 ("Photobiological safety of lamps and lamp systems"). Following the definition of the risk grouping system of the mentioned IEC standard, the LEDs mounted on this family fall into the class "Low Risk (RG1 – No photobiological hazard under normal behavioral limitations)". Under real circumstances (regarding exposure time, pupils, observation distance), it is assumed that there is no endangerment to the eye from these devices. As a matter of principle, however, it should be mentioned that intense light sources have a high secondary exposure potential due to their blinding effect.

RG2

The evaluation of photobiological safety is carried out according to the standard IEC 62471:2008 ("Photobiological safety of lamps and lamp systems"). Following the definition of the risk grouping system of the mentioned IEC standard, the LEDs mounted on this family fall into the class "Moderate Risk (RG2)". Under real circumstances (regarding exposure time, pupils, observation distance), it is assumed that there is no endangerment to the eye from these devices. As a matter of principle, however, it should be mentioned that intense light sources have a high secondary exposure potential due to their blinding effect.

SKU SPECIFICATIONS

Product Code	Dimensions (mm)	CCT (K)	Lumens (lm)	Power (W)	Eff. (lm/watt)	Lens Angle (°)
CRI 80						
2G1068 TulipL SM C34017R/2700/14W/80/A15	Ø110x240x285mm±1mm	2700	1440	14W	103	15°
2G1069 TulipL SM C34017R/3000/14W/80/A15	Ø110x240x285mm±1mm	3000	1455	14W	104	15°
2G1070 TulipL SM C34017R/3500/14W/80/A15	Ø110x240x285mm±1mm	3500	1495	14W	107	15°
2G1071 TulipL SM C34017R/4000/14W/80/A15	Ø110x240x285mm±1mm	4000	1525	14W	109	15°
2G1072 TulipL SM C34017R/2700/14W/80/A30	Ø110x240x285mm±1mm	2700	1440	14W	103	30°
2G1073 TulipL SM C34017R/3000/14W/80/A30	Ø110x240x285mm±1mm	3000	1455	14W	104	30°
2G1074 TulipL SM C34017R/3500/14W/80/A30	Ø110x240x285mm±1mm	3500	1495	14W	107	30°
2G1075 TulipL SM C34017R/4000/14W/80/A30	Ø110x240x285mm±1mm	4000	1525	14W	109	30°
2G1076 TulipL SM C34017R/2700/14W/80/A45	Ø110x240x285mm±1mm	2700	1440	14W	103	45°
2G1077 TulipL SM C34017R/3000/14W/80/A45	Ø110x240x285mm±1mm	3000	1455	14W	104	45°
2G1078 TulipL SM C34017R/3500/14W/80/A45	Ø110x240x285mm±1mm	3500	1495	14W	107	45°
2G1079 TulipL SM C34017R/4000/14W/80/A45	Ø110x240x285mm±1mm	4000	1525	14W	109	45°
2G1080 TulipL SM C34017R/2700/14W/80/A60	Ø110x240x285mm±1mm	2700	1440	14W	103	60°
2G1081 TulipL SM C34017R/3000/14W/80/A60	Ø110x240x285mm±1mm	3000	1455	14W	104	60°
2G1082 TulipL SM C34017R/3500/14W/80/A60	Ø110x240x285mm±1mm	3500	1495	14W	107	60°
2G1083 TulipL SM C34017R/4000/14W/80/A60	Ø110x240x285mm±1mm	4000	1525	14W	109	60°
2G1084 TulipL SM C34017R/2700/20W/80/A15	Ø110x240x285mm±1mm	2700	2010	20W	101	15°
2G1085 TulipL SM C34017R/3000/20W/80/A15	Ø110x240x285mm±1mm	3000	2025	20W	102	15°
2G1086 TulipL SM C34017R/3500/20W/80/A15	Ø110x240x285mm±1mm	3500	2080	20W	104	15°
2G1087 TulipL SM C34017R/4000/20W/80/A15	Ø110x240x285mm±1mm	4000	2120	20W	106	15°
2G1088 TulipL SM C34017R/2700/20W/80/A30	Ø110x240x285mm±1mm	2700	2010	20W	101	30°
2G1089 TulipL SM C34017R/3000/20W/80/A30	Ø110x240x285mm±1mm	3000	2025	20W	102	30°
2G1090 TulipL SM C34017R/3500/20W/80/A30	Ø110x240x285mm±1mm	3500	2080	20W	104	30°
2G1091 TulipL SM C34017R/4000/20W/80/A30	Ø110x240x285mm±1mm	4000	2120	20W	106	30°
2G1092 TulipL SM C34017R/2700/20W/80/A45	Ø110x240x285mm±1mm	2700	2010	20W	101	45°
2G1093 TulipL SM C34017R/3000/20W/80/A45	Ø110x240x285mm±1mm	3000	2025	20W	102	45°
2G1094 TulipL SM C34017R/3500/20W/80/A45	Ø110x240x285mm±1mm	3500	2080	20W	104	45°
2G1095 TulipL SM C34017R/4000/20W/80/A45	Ø110x240x285mm±1mm	4000	2120	20W	106	45°
2G1096 TulipL SM C34017R/2700/20W/80/A60	Ø110x240x285mm±1mm	2700	2010	20W	101	60°
2G1097 TulipL SM C34017R/3000/20W/80/A60	Ø110x240x285mm±1mm	3000	2025	20W	102	60°
2G1098 TulipL SM C34017R/3500/20W/80/A60	Ø110x240x285mm±1mm	3500	2080	20W	104	60°
2G1099 TulipL SM C34017R/4000/20W/80/A60	Ø110x240x285mm±1mm	4000	2120	20W	106	60°
2G1100 TulipL SM C34017R/2700/27W/80/A15	Ø110x240x285mm±1mm	2700	2605	27W	97	15°
2G1101 TulipL SM C34017R/3000/27W/80/A15	Ø110x240x285mm±1mm	3000	2630	27W	98	15°
2G1102 TulipL SM C34017R/3500/27W/80/A15	Ø110x240x285mm±1mm	3500	2700	27W	100	15°
2G1103 TulipL SM C34017R/4000/27W/80/A15	Ø110x240x285mm±1mm	4000	2755	27W	103	15°
2G1104 TulipL SM C34017R/2700/27W/80/A30	Ø110x240x285mm±1mm	2700	2605	27W	97	30°
2G1105 TulipL SM C34017R/3000/27W/80/A30	Ø110x240x285mm±1mm	3000	2630	27W	98	30°
2G1106 TulipL SM C34017R/3500/27W/80/A30	Ø110x240x285mm±1mm	3500	2700	27W	100	30°
2G1107 TulipL SM C34017R/4000/27W/80/A30	Ø110x240x285mm±1mm	4000	2755	27W	103	30°
2G1108 TulipL SM C34017R/2700/27W/80/A45	Ø110x240x285mm±1mm	2700	2605	27W	97	45°
2G1109 TulipL SM C34017R/3000/27W/80/A45	Ø110x240x285mm±1mm	3000	2630	27W	98	45°
2G1110 TulipL SM C34017R/3500/27W/80/A45	Ø110x240x285mm±1mm	3500	2700	27W	100	45°
2G1111 TulipL SM C34017R/4000/27W/80/A45	Ø110x240x285mm±1mm	4000	2755	27W	103	45°
2G1112 TulipL SM C34017R/2700/27W/80/A60	Ø110x240x285mm±1mm	2700	2605	27W	97	60°
2G1113 TulipL SM C34017R/3000/27W/80/A60	Ø110x240x285mm±1mm	3000	2630	27W	98	60°
2G1114 TulipL SM C34017R/3500/27W/80/A60	Ø110x240x285mm±1mm	3500	2700	27W	100	60°
2G1115 TulipL SM C34017R/4000/27W/80/A60	Ø110x240x285mm±1mm	4000	2755	27W	103	60°
2G1116 TulipL SM C34017R/2700/35W/80/A15	Ø110x240x285mm±1mm	2700	3425	35W	98	15°
2G1117 TulipL SM C34017R/3000/35W/80/A15	Ø110x240x285mm±1mm	3000	3455	35W	99	15°

SKU SPECIFICATIONS

Product Code	Dimensions (mm)	CCT (K)	Lumens (lm)	Power (W)	Eff. (lm/watt)	Lens Angle (°)
CRI 80						
2G1118 TulipL SM C34017R/3500/35W/80/A15	Ø110x240x285mm±1mm	3500	3545	35W	102	15°
2G1119 TulipL SM C34017R/4000/35W/80/A15	Ø110x240x285mm±1mm	4000	3620	35W	104	15°
2G1120 TulipL SM C34017R/2700/35W/80/A30	Ø110x240x285mm±1mm	2700	3425	35W	98	30°
2G1121 TulipL SM C34017R/3000/35W/80/A30	Ø110x240x285mm±1mm	3000	3455	35W	99	30°
2G1122 TulipL SM C34017R/3500/35W/80/A30	Ø110x240x285mm±1mm	3500	3545	35W	102	30°
2G1123 TulipL SM C34017R/4000/35W/80/A30	Ø110x240x285mm±1mm	4000	3620	35W	104	30°
2G1124 TulipL SM C34017R/2700/35W/80/A45	Ø110x240x285mm±1mm	2700	3425	35W	98	45°
2G1125 TulipL SM C34017R/3000/35W/80/A45	Ø110x240x285mm±1mm	3000	3455	35W	99	45°
2G1126 TulipL SM C34017R/3500/35W/80/A45	Ø110x240x285mm±1mm	3500	3545	35W	102	45°
2G1127 TulipL SM C34017R/4000/35W/80/A45	Ø110x240x285mm±1mm	4000	3620	35W	104	45°
2G1128 TulipL SM C34017R/2700/35W/80/A60	Ø110x240x285mm±1mm	2700	3425	35W	98	60°
2G1129 TulipL SM C34017R/3000/35W/80/A60	Ø110x240x285mm±1mm	3000	3455	35W	99	60°
2G1130 TulipL SM C34017R/3500/35W/80/A60	Ø110x240x285mm±1mm	3500	3545	35W	102	60°
2G1131 TulipL SM C34017R/4000/35W/80/A60	Ø110x240x285mm±1mm	4000	3620	35W	104	60°
2G1202 TulipL SM C34017R/BVF/14W/80/A15	Ø110x240x285mm±1mm	BVF	1225	14W	88	15°
2G1203 TulipL SM C34017R/FBS/14W/80/A15	Ø110x240x285mm±1mm	FBS	830	14W	60	15°
2G1204 TulipL SM C34017R/FZM/14W/80/A15	Ø110x240x285mm±1mm	FZM	800	14W	58	15°
2G1205 TulipL SM C34017R/FSM/14W/80/A15	Ø110x240x285mm±1mm	FSM	830	14W	60	15°
2G1206 TulipL SM C34017R/FSH/14W/80/A15	Ø110x240x285mm±1mm	FSH	1180	14W	85	15°
2G1207 TulipL SM C34017R/BVF/14W/80/A30	Ø110x240x285mm±1mm	BVF	1225	14W	88	30°
2G1208 TulipL SM C34017R/FBS/14W/80/A30	Ø110x240x285mm±1mm	FBS	830	14W	60	30°
2G1209 TulipL SM C34017R/FZM/14W/80/A30	Ø110x240x285mm±1mm	FZM	800	14W	58	30°
2G1210 TulipL SM C34017R/FSM/14W/80/A30	Ø110x240x285mm±1mm	FSM	830	14W	60	30°
2G1211 TulipL SM C34017R/FSH/14W/80/A30	Ø110x240x285mm±1mm	FSH	1180	14W	85	30°
2G1212 TulipL SM C34017R/BVF/14W/80/A45	Ø110x240x285mm±1mm	BVF	1225	14W	88	45°
2G1213 TulipL SM C34017R/FBS/14W/80/A45	Ø110x240x285mm±1mm	FBS	830	14W	60	45°
2G1214 TulipL SM C34017R/FZM/14W/80/A45	Ø110x240x285mm±1mm	FZM	800	14W	58	45°
2G1215 TulipL SM C34017R/FSM/14W/80/A45	Ø110x240x285mm±1mm	FSM	830	14W	60	45°
2G1216 TulipL SM C34017R/FSH/14W/80/A45	Ø110x240x285mm±1mm	FSH	1180	14W	85	45°
2G1217 TulipL SM C34017R/BVF/14W/80/A60	Ø110x240x285mm±1mm	BVF	1225	14W	88	60°
2G1218 TulipL SM C34017R/FBS/14W/80/A60	Ø110x240x285mm±1mm	FBS	830	14W	60	60°
2G1219 TulipL SM C34017R/FZM/14W/80/A60	Ø110x240x285mm±1mm	FZM	800	14W	58	60°
2G1220 TulipL SM C34017R/FSM/14W/80/A60	Ø110x240x285mm±1mm	FSM	830	14W	60	60°
2G1221 TulipL SM C34017R/FSH/14W/80/A60	Ø110x240x285mm±1mm	FSH	1180	14W	85	60°
2G1222 TulipL SM C34017R/BVF/20W/80/A15	Ø110x240x285mm±1mm	BVF	1675	20W	84	15°
2G1223 TulipL SM C34017R/FBS/20W/80/A15	Ø110x240x285mm±1mm	FBS	1155	20W	58	15°
2G1224 TulipL SM C34017R/FZM/20W/80/A15	Ø110x240x285mm±1mm	FZM	1105	20W	56	15°
2G1225 TulipL SM C34017R/FSM/20W/80/A15	Ø110x240x285mm±1mm	FSM	1130	20W	57	15°
2G1226 TulipL SM C34017R/FSH/20W/80/A15	Ø110x240x285mm±1mm	FSH	1640	20W	82	15°
2G1227 TulipL SM C34017R/BVF/20W/80/A30	Ø110x240x285mm±1mm	BVF	1675	20W	84	30°
2G1228 TulipL SM C34017R/FBS/20W/80/A30	Ø110x240x285mm±1mm	FBS	1155	20W	58	30°
2G1229 TulipL SM C34017R/FZM/20W/80/A30	Ø110x240x285mm±1mm	FZM	1105	20W	56	30°
2G1230 TulipL SM C34017R/FSM/20W/80/A30	Ø110x240x285mm±1mm	FSM	1130	20W	57	30°
2G1231 TulipL SM C34017R/FSH/20W/80/A30	Ø110x240x285mm±1mm	FSH	1640	20W	82	30°
2G1232 TulipL SM C34017R/BVF/20W/80/A45	Ø110x240x285mm±1mm	BVF	1675	20W	84	45°
2G1233 TulipL SM C34017R/FBS/20W/80/A45	Ø110x240x285mm±1mm	FBS	1155	20W	58	45°
2G1234 TulipL SM C34017R/FZM/20W/80/A45	Ø110x240x285mm±1mm	FZM	1105	20W	56	45°
2G1235 TulipL SM C34017R/FSM/20W/80/A45	Ø110x240x285mm±1mm	FSM	1130	20W	57	45°
2G1236 TulipL SM C34017R/FSH/20W/80/A45	Ø110x240x285mm±1mm	FSH	1640	20W	82	45°
2G1237 TulipL SM C34017R/BVF/20W/80/A60	Ø110x240x285mm±1mm	BVF	1675	20W	84	60°

SKU SPECIFICATIONS

Product Code	Dimensions (mm)	CCT (K)	Lumens (lm)	Power (W)	Eff. (lm/watt)	Lens Angle (°)
CRI 80						
2G1238 TulipL SM C34017R/FBS/20W/80/A60	Ø110x240x285mm±1mm	FBS	1155	20W	58	60°
2G1239 TulipL SM C34017R/FZM/20W/80/A60	Ø110x240x285mm±1mm	FZM	1105	20W	56	60°
2G1240 TulipL SM C34017R/FSM/20W/80/A60	Ø110x240x285mm±1mm	FSM	1130	20W	57	60°
2G1241 TulipL SM C34017R/FSH/20W/80/A60	Ø110x240x285mm±1mm	FSH	1640	20W	82	60°
2G1242 TulipL SM C34017R/BVF/27W/80/A15	Ø110x240x285mm±1mm	BVF	2220	27W	83	15°
2G1243 TulipL SM C34017R/FBS/27W/80/A15	Ø110x240x285mm±1mm	FBS	1515	27W	57	15°
2G1244 TulipL SM C34017R/FZM/27W/80/A15	Ø110x240x285mm±1mm	FZM	1455	27W	54	15°
2G1245 TulipL SM C34017R/FSM/27W/80/A15	Ø110x240x285mm±1mm	FSM	1480	27W	55	15°
2G1246 TulipL SM C34017R/FSH/27W/80/A15	Ø110x240x285mm±1mm	FSH	2170	27W	81	15°
2G1247 TulipL SM C34017R/BVF/27W/80/A30	Ø110x240x285mm±1mm	BVF	2220	27W	83	30°
2G1248 TulipL SM C34017R/FBS/27W/80/A30	Ø110x240x285mm±1mm	FBS	1515	27W	57	30°
2G1249 TulipL SM C34017R/FZM/27W/80/A30	Ø110x240x285mm±1mm	FZM	1455	27W	54	30°
2G1250 TulipL SM C34017R/FSM/27W/80/A30	Ø110x240x285mm±1mm	FSM	1480	27W	55	30°
2G1251 TulipL SM C34017R/FSH/27W/80/A30	Ø110x240x285mm±1mm	FSH	2170	27W	81	30°
2G1252 TulipL SM C34017R/BVF/27W/80/A45	Ø110x240x285mm±1mm	BVF	2220	27W	83	45°
2G1253 TulipL SM C34017R/FBS/27W/80/A45	Ø110x240x285mm±1mm	FBS	1515	27W	57	45°
2G1254 TulipL SM C34017R/FZM/27W/80/A45	Ø110x240x285mm±1mm	FZM	1455	27W	54	45°
2G1255 TulipL SM C34017R/FSM/27W/80/A45	Ø110x240x285mm±1mm	FSM	1480	27W	55	45°
2G1256 TulipL SM C34017R/FSH/27W/80/A45	Ø110x240x285mm±1mm	FSH	2170	27W	81	45°
2G1257 TulipL SM C34017R/BVF/27W/80/A60	Ø110x240x285mm±1mm	BVF	2220	27W	83	60°
2G1258 TulipL SM C34017R/FBS/27W/80/A60	Ø110x240x285mm±1mm	FBS	1515	27W	57	60°
2G1259 TulipL SM C34017R/FZM/27W/80/A60	Ø110x240x285mm±1mm	FZM	1455	27W	54	60°
2G1260 TulipL SM C34017R/FSM/27W/80/A60	Ø110x240x285mm±1mm	FSM	1480	27W	55	60°
2G1261 TulipL SM C34017R/FSH/27W/80/A60	Ø110x240x285mm±1mm	FSH	2170	27W	81	60°
2G1262 TulipL SM C34017R/BVF/35W/80/A15	Ø110x240x285mm±1mm	BVF	3015	35W	87	15°
2G1263 TulipL SM C34017R/FBS/35W/80/A15	Ø110x240x285mm±1mm	FBS	2000	35W	58	15°
2G1264 TulipL SM C34017R/FZM/35W/80/A15	Ø110x240x285mm±1mm	FZM	2035	35W	59	15°
2G1265 TulipL SM C34017R/FSM/35W/80/A15	Ø110x240x285mm±1mm	FSM	2005	35W	58	15°
2G1266 TulipL SM C34017R/FSH/35W/80/A15	Ø110x240x285mm±1mm	FSH	3045	35W	87	15°
2G1267 TulipL SM C34017R/BVF/35W/80/A30	Ø110x240x285mm±1mm	BVF	3015	35W	87	30°
2G1268 TulipL SM C34017R/FBS/35W/80/A30	Ø110x240x285mm±1mm	FBS	2000	35W	58	30°
2G1269 TulipL SM C34017R/FZM/35W/80/A30	Ø110x240x285mm±1mm	FZM	2035	35W	59	30°
2G1270 TulipL SM C34017R/FSM/35W/80/A30	Ø110x240x285mm±1mm	FSM	2005	35W	58	30°
2G1271 TulipL SM C34017R/FSH/35W/80/A30	Ø110x240x285mm±1mm	FSH	3045	35W	87	30°
2G1272 TulipL SM C34017R/BVF/35W/80/A45	Ø110x240x285mm±1mm	BVF	3015	35W	87	45°
2G1273 TulipL SM C34017R/FBS/35W/80/A45	Ø110x240x285mm±1mm	FBS	2000	35W	58	45°
2G1274 TulipL SM C34017R/FZM/35W/80/A45	Ø110x240x285mm±1mm	FZM	2035	35W	59	45°
2G1275 TulipL SM C34017R/FSM/35W/80/A45	Ø110x240x285mm±1mm	FSM	2005	35W	58	45°
2G1276 TulipL SM C34017R/FSH/35W/80/A45	Ø110x240x285mm±1mm	FSH	3045	35W	87	45°
2G1277 TulipL SM C34017R/BVF/35W/80/A60	Ø110x240x285mm±1mm	BVF	3015	35W	87	60°
2G1278 TulipL SM C34017R/FBS/35W/80/A60	Ø110x240x285mm±1mm	FBS	2000	35W	58	60°
2G1279 TulipL SM C34017R/FZM/35W/80/A60	Ø110x240x285mm±1mm	FZM	2035	35W	59	60°
2G1280 TulipL SM C34017R/FSM/35W/80/A60	Ø110x240x285mm±1mm	FSM	2005	35W	58	60°
2G1281 TulipL SM C34017R/FSH/35W/80/A60	Ø110x240x285mm±1mm	FSH	3045	35W	87	60°
2G1299 TulipL SM C34017R/AMB2200/14W/80/A15	Ø110x240x285mm±1mm	AMB2200	1020	14W	73	15°
2G1300 TulipL SM C34017R/AMB2200/14W/80/A30	Ø110x240x285mm±1mm	AMB2200	1020	14W	73	30°
2G1301 TulipL SM C34017R/AMB2200/14W/80/A45	Ø110x240x285mm±1mm	AMB2200	1020	14W	73	45°
2G1302 TulipL SM C34017R/AMB2200/14W/80/A60	Ø110x240x285mm±1mm	AMB2200	1020	14W	73	60°
2G1303 TulipL SM C34017R/AMB2200/20W/80/A15	Ø110x240x285mm±1mm	AMB2200	1410	20W	71	15°
2G1304 TulipL SM C34017R/AMB2200/20W/80/A30	Ø110x240x285mm±1mm	AMB2200	1410	20W	71	30°

SKU SPECIFICATIONS

Product Code	Dimensions (mm)	CCT (K)	Lumens (lm)	Power (W)	Eff. (lm/watt)	Lens Angle (°)
CRI 80						
2G1305 TulipL SM C34017R/AMB2200/20W/80/A45	Ø110x240x285mm±1mm	AMB2200	1410	20W	71	45°
2G1306 TulipL SM C34017R/AMB2200/20W/80/A60	Ø110x240x285mm±1mm	AMB2200	1410	20W	71	60°
2G1307 TulipL SM C34017R/AMB2200/27W/80/A15	Ø110x240x285mm±1mm	AMB2200	1870	27W	70	15°
2G1308 TulipL SM C34017R/AMB2200/27W/80/A30	Ø110x240x285mm±1mm	AMB2200	1870	27W	70	30°
2G1309 TulipL SM C34017R/AMB2200/27W/80/A45	Ø110x240x285mm±1mm	AMB2200	1870	27W	70	45°
2G1310 TulipL SM C34017R/AMB2200/27W/80/A60	Ø110x240x285mm±1mm	AMB2200	1870	27W	70	60°
2G1311 TulipL SM C34017R/AMB2200/35W/80/A15	Ø110x240x285mm±1mm	AMB2200	2585	35W	74	15°
2G1312 TulipL SM C34017R/AMB2200/35W/80/A30	Ø110x240x285mm±1mm	AMB2200	2585	35W	74	30°
2G1313 TulipL SM C34017R/AMB2200/35W/80/A45	Ø110x240x285mm±1mm	AMB2200	2585	35W	74	45°
2G1314 TulipL SM C34017R/AMB2200/35W/80/A60	Ø110x240x285mm±1mm	AMB2200	2585	35W	74	60°
CRI 90						
2G1471 TulipL SM C34017R/ENT5600/16W/90/A15	Ø110x240x285mm±1mm	ENT5600	1555	16W	98	15°
2G1472 TulipL SM C34017R/ENT5600/16W/90/A30	Ø110x240x285mm±1mm	ENT5600	1555	16W	98	30°
2G1473 TulipL SM C34017R/ENT5600/16W/90/A45	Ø110x240x285mm±1mm	ENT5600	1555	16W	98	45°
2G1474 TulipL SM C34017R/ENT5600/16W/90/A60	Ø110x240x285mm±1mm	ENT5600	1555	16W	98	60°
2G1475 TulipL SM C34017R/ENT5600/21W/90/A15	Ø110x240x285mm±1mm	ENT5600	2030	21W	97	15°
2G1476 TulipL SM C34017R/ENT5600/21W/90/A30	Ø110x240x285mm±1mm	ENT5600	2030	21W	97	30°
2G1477 TulipL SM C34017R/ENT5600/21W/90/A45	Ø110x240x285mm±1mm	ENT5600	2030	21W	97	45°
2G1478 TulipL SM C34017R/ENT5600/21W/90/A60	Ø110x240x285mm±1mm	ENT5600	2030	21W	97	60°
2G1479 TulipL SM C34017R/ENT5600/27W/90/A15	Ø110x240x285mm±1mm	ENT5600	2575	27W	96	15°
2G1480 TulipL SM C34017R/ENT5600/27W/90/A30	Ø110x240x285mm±1mm	ENT5600	2575	27W	96	30°
2G1481 TulipL SM C34017R/ENT5600/27W/90/A45	Ø110x240x285mm±1mm	ENT5600	2575	27W	96	45°
2G1482 TulipL SM C34017R/ENT5600/27W/90/A60	Ø110x240x285mm±1mm	ENT5600	2575	27W	96	60°
2G1483 TulipL SM C34017R/ENT5600/32W/90/A15	Ø110x240x285mm±1mm	ENT5600	3005	32W	94	15°
2G1484 TulipL SM C34017R/ENT5600/32W/90/A30	Ø110x240x285mm±1mm	ENT5600	3005	32W	94	30°
2G1485 TulipL SM C34017R/ENT5600/32W/90/A45	Ø110x240x285mm±1mm	ENT5600	3005	32W	94	45°
2G1486 TulipL SM C34017R/ENT5600/32W/90/A60	Ø110x240x285mm±1mm	ENT5600	3005	32W	94	60°
CRI 93						
2G1366 TulipL SM C34017R/AGI3000/14W/93/A15	Ø110x240x285mm±1mm	AGI3000	845	14W	61	15°
2G1367 TulipL SM C34017R/AGI3500/14W/93/A15	Ø110x240x285mm±1mm	AGI3500	900	14W	65	15°
2G1368 TulipL SM C34017R/AGI4000/14W/93/A15	Ø110x240x285mm±1mm	AGI4000	955	14W	69	15°
2G1369 TulipL SM C34017R/AGI3000/14W/93/A30	Ø110x240x285mm±1mm	AGI3000	845	14W	61	30°
2G1370 TulipL SM C34017R/AGI3500/14W/93/A30	Ø110x240x285mm±1mm	AGI3500	900	14W	65	30°
2G1371 TulipL SM C34017R/AGI4000/14W/93/A30	Ø110x240x285mm±1mm	AGI4000	955	14W	69	30°
2G1372 TulipL SM C34017R/AGI3000/14W/93/A45	Ø110x240x285mm±1mm	AGI3000	845	14W	61	45°
2G1373 TulipL SM C34017R/AGI3500/14W/93/A45	Ø110x240x285mm±1mm	AGI3500	900	14W	65	45°
2G1374 TulipL SM C34017R/AGI4000/14W/93/A45	Ø110x240x285mm±1mm	AGI4000	955	14W	69	45°
2G1375 TulipL SM C34017R/AGI3000/14W/93/A60	Ø110x240x285mm±1mm	AGI3000	845	14W	61	60°
2G1376 TulipL SM C34017R/AGI3500/14W/93/A60	Ø110x240x285mm±1mm	AGI3500	900	14W	65	60°
2G1377 TulipL SM C34017R/AGI4000/14W/93/A60	Ø110x240x285mm±1mm	AGI4000	955	14W	69	60°
2G1378 TulipL SM C34017R/AGI3000/20W/93/A15	Ø110x240x285mm±1mm	AGI3000	1200	20W	60	15°
2G1379 TulipL SM C34017R/AGI3500/20W/93/A15	Ø110x240x285mm±1mm	AGI3500	1275	20W	64	15°
2G1380 TulipL SM C34017R/AGI4000/20W/93/A15	Ø110x240x285mm±1mm	AGI4000	1355	20W	68	15°
2G1381 TulipL SM C34017R/AGI3000/20W/93/A30	Ø110x240x285mm±1mm	AGI3000	1200	20W	60	30°
2G1382 TulipL SM C34017R/AGI3500/20W/93/A30	Ø110x240x285mm±1mm	AGI3500	1275	20W	64	30°
2G1383 TulipL SM C34017R/AGI4000/20W/93/A30	Ø110x240x285mm±1mm	AGI4000	1355	20W	68	30°
2G1384 TulipL SM C34017R/AGI3000/20W/93/A45	Ø110x240x285mm±1mm	AGI3000	1200	20W	60	45°
2G1385 TulipL SM C34017R/AGI3500/20W/93/A45	Ø110x240x285mm±1mm	AGI3500	1275	20W	64	45°

SKU SPECIFICATIONS

Product Code	Dimensions (mm)	CCT (K)	Lumens (lm)	Power (W)	Eff. (lm/watt)	Lens Angle (°)
CRI 93						
2G1386 TulipL SM C34017R/AGI4000/20W/93/A45	Ø110x240x285mm±1mm	AGI4000	1355	20W	68	45°
2G1387 TulipL SM C34017R/AGI3000/20W/93/A60	Ø110x240x285mm±1mm	AGI3000	1200	20W	60	60°
2G1388 TulipL SM C34017R/AGI3500/20W/93/A60	Ø110x240x285mm±1mm	AGI3500	1275	20W	64	60°
2G1389 TulipL SM C34017R/AGI4000/20W/93/A60	Ø110x240x285mm±1mm	AGI4000	1355	20W	68	60°
2G1390 TulipL SM C34017R/AGI3000/27W/93/A15	Ø110x240x285mm±1mm	AGI3000	1505	27W	56	15°
2G1391 TulipL SM C34017R/AGI3500/27W/93/A15	Ø110x240x285mm±1mm	AGI3500	1595	27W	60	15°
2G1392 TulipL SM C34017R/AGI4000/27W/93/A15	Ø110x240x285mm±1mm	AGI4000	1700	27W	63	15°
2G1393 TulipL SM C34017R/AGI3000/27W/93/A30	Ø110x240x285mm±1mm	AGI3000	1505	27W	56	30°
2G1394 TulipL SM C34017R/AGI3500/27W/93/A30	Ø110x240x285mm±1mm	AGI3500	1595	27W	60	30°
2G1395 TulipL SM C34017R/AGI4000/27W/93/A30	Ø110x240x285mm±1mm	AGI4000	1700	27W	63	30°
2G1396 TulipL SM C34017R/AGI3000/27W/93/A45	Ø110x240x285mm±1mm	AGI3000	1505	27W	56	45°
2G1397 TulipL SM C34017R/AGI3500/27W/93/A45	Ø110x240x285mm±1mm	AGI3500	1595	27W	60	45°
2G1398 TulipL SM C34017R/AGI4000/27W/93/A45	Ø110x240x285mm±1mm	AGI4000	1700	27W	63	45°
2G1399 TulipL SM C34017R/AGI3000/27W/93/A60	Ø110x240x285mm±1mm	AGI3000	1505	27W	56	60°
2G1400 TulipL SM C34017R/AGI3500/27W/93/A60	Ø110x240x285mm±1mm	AGI3500	1595	27W	60	60°
2G1401 TulipL SM C34017R/AGI4000/27W/93/A60	Ø110x240x285mm±1mm	AGI4000	1700	27W	63	60°
2G1402 TulipL SM C34017R/AGI3000/35W/93/A15	Ø110x240x285mm±1mm	AGI3000	1865	35W	54	15°
2G1403 TulipL SM C34017R/AGI3500/35W/93/A15	Ø110x240x285mm±1mm	AGI3500	1980	35W	57	15°
2G1404 TulipL SM C34017R/AGI4000/35W/93/A15	Ø110x240x285mm±1mm	AGI4000	2105	35W	61	15°
2G1405 TulipL SM C34017R/AGI3000/35W/93/A30	Ø110x240x285mm±1mm	AGI3000	1865	35W	54	30°
2G1406 TulipL SM C34017R/AGI3500/35W/93/A30	Ø110x240x285mm±1mm	AGI3500	1980	35W	57	30°
2G1407 TulipL SM C34017R/AGI4000/35W/93/A30	Ø110x240x285mm±1mm	AGI4000	2105	35W	61	30°
2G1408 TulipL SM C34017R/AGI3000/35W/93/A45	Ø110x240x285mm±1mm	AGI3000	1865	35W	54	45°
2G1409 TulipL SM C34017R/AGI3500/35W/93/A45	Ø110x240x285mm±1mm	AGI3500	1980	35W	57	45°
2G1410 TulipL SM C34017R/AGI4000/35W/93/A45	Ø110x240x285mm±1mm	AGI4000	2105	35W	61	45°
2G1411 TulipL SM C34017R/AGI3000/35W/93/A60	Ø110x240x285mm±1mm	AGI3000	1865	35W	54	60°
2G1412 TulipL SM C34017R/AGI3500/35W/93/A60	Ø110x240x285mm±1mm	AGI3500	1980	35W	57	60°
2G1413 TulipL SM C34017R/AGI4000/35W/93/A60	Ø110x240x285mm±1mm	AGI4000	2105	35W	61	60°
CRI 95						
2G1431 TulipL SM C34017R/FAS/14W/95/A15	Ø110x240x285mm±1mm	FAS	1165	14W	84	15°
2G1432 TulipL SM C34017R/FAS/14W/95/A30	Ø110x240x285mm±1mm	FAS	1165	14W	84	30°
2G1433 TulipL SM C34017R/FAS/14W/95/A45	Ø110x240x285mm±1mm	FAS	1165	14W	84	45°
2G1434 TulipL SM C34017R/FAS/14W/95/A60	Ø110x240x285mm±1mm	FAS	1165	14W	84	60°
2G1435 TulipL SM C34017R/FAS/20W/95/A15	Ø110x240x285mm±1mm	FAS	1610	20W	81	15°
2G1436 TulipL SM C34017R/FAS/20W/95/A30	Ø110x240x285mm±1mm	FAS	1610	20W	81	30°
2G1437 TulipL SM C34017R/FAS/20W/95/A45	Ø110x240x285mm±1mm	FAS	1610	20W	81	45°
2G1438 TulipL SM C34017R/FAS/20W/95/A60	Ø110x240x285mm±1mm	FAS	1610	20W	81	60°
2G1439 TulipL SM C34017R/FAS/27W/95/A15	Ø110x240x285mm±1mm	FAS	2120	27W	79	15°
2G1440 TulipL SM C34017R/FAS/27W/95/A30	Ø110x240x285mm±1mm	FAS	2120	27W	79	30°
2G1441 TulipL SM C34017R/FAS/27W/95/A45	Ø110x240x285mm±1mm	FAS	2120	27W	79	45°
2G1442 TulipL SM C34017R/FAS/27W/95/A60	Ø110x240x285mm±1mm	FAS	2120	27W	79	60°
2G1443 TulipL SM C34017R/FAS/35W/95/A15	Ø110x240x285mm±1mm	FAS	2875	35W	83	15°
2G1444 TulipL SM C34017R/FAS/35W/95/A30	Ø110x240x285mm±1mm	FAS	2875	35W	83	30°
2G1445 TulipL SM C34017R/FAS/35W/95/A45	Ø110x240x285mm±1mm	FAS	2875	35W	83	45°
2G1446 TulipL SM C34017R/FAS/35W/95/A60	Ø110x240x285mm±1mm	FAS	2875	35W	83	60°
CRI 97						
2G1487 TulipL SM C34017R/ENT5600/16W/97/A15	Ø110x240x285mm±1mm	ENT5600	1385	16W	87	15°
2G1488 TulipL SM C34017R/ENT5600/16W/97/A30	Ø110x240x285mm±1mm	ENT5600	1385	16W	87	30°

SKU SPECIFICATIONS

Product Code	Dimensions (mm)	CCT (K)	Lumens (lm)	Power (W)	Eff. (lm/watt)	Lens Angle (°)
CRI 97						
2G1489 TulipL SM C34017R/ENT5600/16W/97/A45	Ø110x240x285mm±1mm	ENT5600	1385	16W	87	45°
2G1490 TulipL SM C34017R/ENT5600/16W/97/A60	Ø110x240x285mm±1mm	ENT5600	1385	16W	87	60°
2G1491 TulipL SM C34017R/ENT5600/21W/97/A15	Ø110x240x285mm±1mm	ENT5600	1825	21W	87	15°
2G1492 TulipL SM C34017R/ENT5600/21W/97/A30	Ø110x240x285mm±1mm	ENT5600	1825	21W	87	30°
2G1493 TulipL SM C34017R/ENT5600/21W/97/A45	Ø110x240x285mm±1mm	ENT5600	1825	21W	87	45°
2G1494 TulipL SM C34017R/ENT5600/21W/97/A60	Ø110x240x285mm±1mm	ENT5600	1825	21W	87	60°
2G1495 TulipL SM C34017R/ENT5600/27W/97/A15	Ø110x240x285mm±1mm	ENT5600	2310	27W	86	15°
2G1496 TulipL SM C34017R/ENT5600/27W/97/A30	Ø110x240x285mm±1mm	ENT5600	2310	27W	86	30°
2G1497 TulipL SM C34017R/ENT5600/27W/97/A45	Ø110x240x285mm±1mm	ENT5600	2310	27W	86	45°
2G1498 TulipL SM C34017R/ENT5600/27W/97/A60	Ø110x240x285mm±1mm	ENT5600	2310	27W	86	60°
2G1499 TulipL SM C34017R/ENT5600/32W/97/A15	Ø110x240x285mm±1mm	ENT5600	2670	32W	84	15°
2G1500 TulipL SM C34017R/ENT5600/32W/97/A30	Ø110x240x285mm±1mm	ENT5600	2670	32W	84	30°
2G1501 TulipL SM C34017R/ENT5600/32W/97/A45	Ø110x240x285mm±1mm	ENT5600	2670	32W	84	45°
2G1502 TulipL SM C34017R/ENT5600/32W/97/A60	Ø110x240x285mm±1mm	ENT5600	2670	32W	84	60°
CRI 98						
2G1141 TulipL SM C34017R/ART3000/14W/98/A15	Ø110x240x285mm±1mm	ART3000	1160	14W	83	15°
2G1142 TulipL SM C34017R/ART3000/14W/98/A30	Ø110x240x285mm±1mm	ART3000	1160	14W	83	30°
2G1143 TulipL SM C34017R/ART3000/14W/98/A45	Ø110x240x285mm±1mm	ART3000	1160	14W	83	45°
2G1144 TulipL SM C34017R/ART3000/14W/98/A60	Ø110x240x285mm±1mm	ART3000	1160	14W	83	60°
2G1145 TulipL SM C34017R/ART3000/20W/98/A15	Ø110x240x285mm±1mm	ART3000	1600	20W	80	15°
2G1146 TulipL SM C34017R/ART3000/20W/98/A30	Ø110x240x285mm±1mm	ART3000	1600	20W	80	30°
2G1147 TulipL SM C34017R/ART3000/20W/98/A45	Ø110x240x285mm±1mm	ART3000	1600	20W	80	45°
2G1148 TulipL SM C34017R/ART3000/20W/98/A60	Ø110x240x285mm±1mm	ART3000	1600	20W	80	60°
2G1149 TulipL SM C34017R/ART3000/27W/98/A15	Ø110x240x285mm±1mm	ART3000	2095	27W	78	15°
2G1150 TulipL SM C34017R/ART3000/27W/98/A30	Ø110x240x285mm±1mm	ART3000	2095	27W	78	30°
2G1151 TulipL SM C34017R/ART3000/27W/98/A45	Ø110x240x285mm±1mm	ART3000	2095	27W	78	45°
2G1152 TulipL SM C34017R/ART3000/27W/98/A60	Ø110x240x285mm±1mm	ART3000	2095	27W	78	60°
2G1153 TulipL SM C34017R/ART3000/35W/98/A15	Ø110x240x285mm±1mm	ART3000	2650	35W	76	15°
2G1154 TulipL SM C34017R/ART3000/35W/98/A30	Ø110x240x285mm±1mm	ART3000	2650	35W	76	30°
2G1155 TulipL SM C34017R/ART3000/35W/98/A45	Ø110x240x285mm±1mm	ART3000	2650	35W	76	45°
2G1156 TulipL SM C34017R/ART3000/35W/98/A60	Ø110x240x285mm±1mm	ART3000	2650	35W	76	60°