



## Tulip S

### SURFACE MOUNTED | DALI SERIES

A highly elegant, compact track spotlight. The radiator is encased in the aluminum housing, allowing for a smooth design. As all our track lights, the Tulip S range includes several special color temperatures for art and fashion. Especially suitable for commercial spaces and showrooms that require a sleek, minimalistic luminaire.

The modern touch is given by the aluminum housing and two color options: signal white and jet black.

Available in two series, with different add-ons and controls:

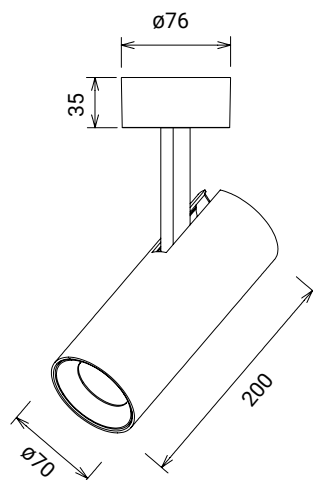
- Tulip S Non-DALI – the standard for any project in the retail sector
- Tulip S DALI – with DALI controls for illumination adjustments

### APPLICATION

High End Grocery & Supermarkets | Fashion Retailers | Hospitality | Art & Exhibitions

### FEATURES & BENEFITS

- CRI 90 as standard
- 4 color temperatures: 2700K, 3000K, 3500K and 4000K
- Great variety of optics – 4 angles, from narrow beams to flood beams
- Efficiency: 85 lm/W @4000K
- Very long service life: 50.000 h at 90% luminous flux
- Dimmable



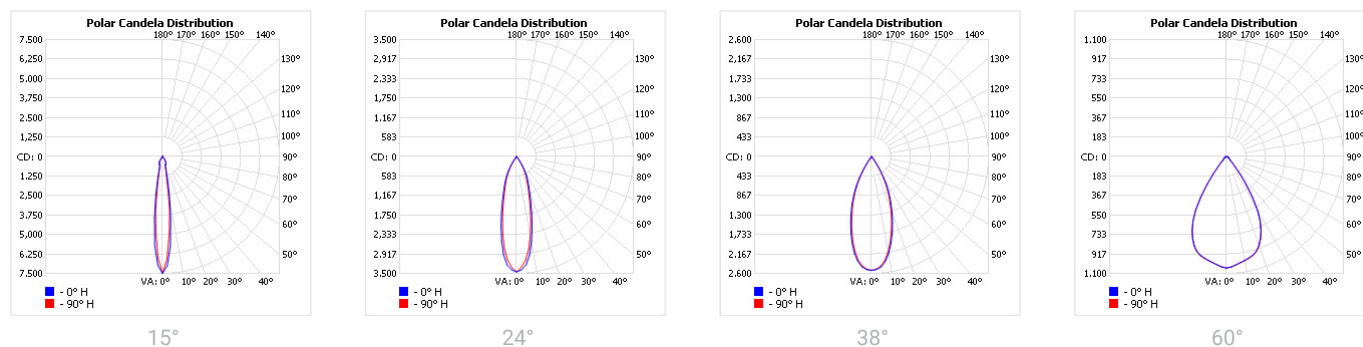
SPECIFICATIONS

Power consumption	14W, 20W
Dimensions	Ø70xL200xH250mm±1mm
Weight	1 kg
Housing materials	Aluminium, glass
IK code	IK02
THD (at 230V, 50Hz, Full load)	<8%
Protection class	Safety class 1
Operating temperature [°C]	-20°C ... +45°C / -4F ... +113F
Operating humidity [%]	10 ÷ 85
Power factor	≥0.95
AC Input [Vac]	220 - 240 VAC
Lens angle [°]	15°, 24°, 38°, 60°
Lifespan [h]	50.000
Housing color	○ RAL 9003 - Signal white, ● RAL 9005 - Jet Black
Lumen maintenance	L90/B10@50.000h at 25°C
IP factor	IP20
Control optional	DALI
Warranty [years]	5
Storage temperature range [°C]	-20°C ... +55°C / -4F ... +131F
Emergency option	-

#	Standard
CRI	CRI90
CCT [K]	2700/3000/3500/4000
MacAdam	3

CRI - Color rendering, CCT - Color temperature, MacAdam - Color consistency

LIGHT DISTRIBUTION



**TOLERANCES****Luminous flux tolerances:** -/+ 5%**Consumption tolerance:** -/+ 5% for Non-DALI | -/+ 10% for Non-DALI & KIT EM | -/+ 10% for DALI | -/+ 15% for DALI & KIT EM**BATTERY WARRANTY****Non-DALI EM & DALI EM:** 12 months warranty**Non-DALI & DALI:** -**MAXIMUM NO. OF LUMINAIRES ON A CIRCUIT**

Luminaire Power(W)	Control type	Circuit Breaker Type					
		B			C		
		20	16	10	20	16	10
14-20W	Non-DALI	62	50	31	104	85	52
14-20W	DALI	-	130	82	-	-	-

**RISK GROUP****Standard (CRI80)** RG1**FOOD (BVF, FBS, FSM)** RG1**FOOD ≤35W (FZM, FSH)** RG1**FOOD >35W (FZM, FSH)** RG2**FAS** RG1**AMB2200** RG1**ART** RG1**AGI** RG1**CRI90** RG1**CRI95** RG1**ENT** RG1**RG1**

The evaluation of photobiological safety is carried out according to the standard IEC 62471:2008 ("Photobiological safety of lamps and lamp systems"). Following the definition of the risk grouping system of the mentioned IEC standard, the LEDs mounted on this family fall into the class "Low Risk (RG1 – No photobiological hazard under normal behavioral limitations)". Under real circumstances (regarding exposure time, pupils, observation distance), it is assumed that there is no endangerment to the eye from these devices. As a matter of principle, however, it should be mentioned that intense light sources have a high secondary exposure potential due to their blinding effect.

**RG2**

The evaluation of photobiological safety is carried out according to the standard IEC 62471:2008 ("Photobiological safety of lamps and lamp systems"). Following the definition of the risk grouping system of the mentioned IEC standard, the LEDs mounted on this family fall into the class "Moderate Risk (RG2)". Under real circumstances (regarding exposure time, pupils, observation distance), it is assumed that there is no endangerment to the eye from these devices. As a matter of principle, however, it should be mentioned that intense light sources have a high secondary exposure potential due to their blinding effect.

## SKU SPECIFICATIONS

Product Code	Dimensions (mm)	CCT (K)	Lumens (lm)	Power (W)	Eff. (lm/watt)	Lens Angle (°)
<b>CRI 90</b>						
6G1000 TulipS SM C34014R/2700/14W/90/A15	Ø70x200x250mm±1mm	2700	1055	14W	76	15°
6G1001 TulipS SM C34014R/3000/14W/90/A15	Ø70x200x250mm±1mm	3000	1080	14W	78	15°
6G1002 TulipS SM C34014R/3500/14W/90/A15	Ø70x200x250mm±1mm	3500	1130	14W	81	15°
6G1003 TulipS SM C34014R/4000/14W/90/A15	Ø70x200x250mm±1mm	4000	1185	14W	85	15°
6G1004 TulipS SM C34014R/2700/14W/90/A24	Ø70x200x250mm±1mm	2700	1055	14W	76	24°
6G1005 TulipS SM C34014R/3000/14W/90/A24	Ø70x200x250mm±1mm	3000	1080	14W	78	24°
6G1006 TulipS SM C34014R/3500/14W/90/A24	Ø70x200x250mm±1mm	3500	1130	14W	81	24°
6G1007 TulipS SM C34014R/4000/14W/90/A24	Ø70x200x250mm±1mm	4000	1185	14W	85	24°
6G1008 TulipS SM C34014R/2700/14W/90/A38	Ø70x200x250mm±1mm	2700	1055	14W	76	38°
6G1009 TulipS SM C34014R/3000/14W/90/A38	Ø70x200x250mm±1mm	3000	1080	14W	78	38°
6G1010 TulipS SM C34014R/3500/14W/90/A38	Ø70x200x250mm±1mm	3500	1130	14W	81	38°
6G1011 TulipS SM C34014R/4000/14W/90/A38	Ø70x200x250mm±1mm	4000	1185	14W	85	38°
6G1012 TulipS SM C34014R/2700/14W/90/A60	Ø70x200x250mm±1mm	2700	1055	14W	76	60°
6G1013 TulipS SM C34014R/3000/14W/90/A60	Ø70x200x250mm±1mm	3000	1080	14W	78	60°
6G1014 TulipS SM C34014R/3500/14W/90/A60	Ø70x200x250mm±1mm	3500	1130	14W	81	60°
6G1015 TulipS SM C34014R/4000/14W/90/A60	Ø70x200x250mm±1mm	4000	1185	14W	85	60°
6G1016 TulipS SM C34014R/2700/20W/90/A15	Ø70x200x250mm±1mm	2700	1450	20W	73	15°
6G1017 TulipS SM C34014R/3000/20W/90/A15	Ø70x200x250mm±1mm	3000	1480	20W	74	15°
6G1018 TulipS SM C34014R/3500/20W/90/A15	Ø70x200x250mm±1mm	3500	1555	20W	78	15°
6G1019 TulipS SM C34014R/4000/20W/90/A15	Ø70x200x250mm±1mm	4000	1625	20W	82	15°
6G1020 TulipS SM C34014R/2700/20W/90/A24	Ø70x200x250mm±1mm	2700	1450	20W	73	24°
6G1021 TulipS SM C34014R/3000/20W/90/A24	Ø70x200x250mm±1mm	3000	1480	20W	74	24°
6G1022 TulipS SM C34014R/3500/20W/90/A24	Ø70x200x250mm±1mm	3500	1555	20W	78	24°
6G1023 TulipS SM C34014R/4000/20W/90/A24	Ø70x200x250mm±1mm	4000	1625	20W	82	24°
6G1024 TulipS SM C34014R/2700/20W/90/A38	Ø70x200x250mm±1mm	2700	1450	20W	73	38°
6G1025 TulipS SM C34014R/3000/20W/90/A38	Ø70x200x250mm±1mm	3000	1480	20W	74	38°
6G1026 TulipS SM C34014R/3500/20W/90/A38	Ø70x200x250mm±1mm	3500	1555	20W	78	38°
6G1027 TulipS SM C34014R/4000/20W/90/A38	Ø70x200x250mm±1mm	4000	1625	20W	82	38°
6G1028 TulipS SM C34014R/2700/20W/90/A60	Ø70x200x250mm±1mm	2700	1450	20W	73	60°
6G1029 TulipS SM C34014R/3000/20W/90/A60	Ø70x200x250mm±1mm	3000	1480	20W	74	60°
6G1030 TulipS SM C34014R/3500/20W/90/A60	Ø70x200x250mm±1mm	3500	1555	20W	78	60°
6G1031 TulipS SM C34014R/4000/20W/90/A60	Ø70x200x250mm±1mm	4000	1625	20W	82	60°