

Jasper

Surface Mounted & Suspended



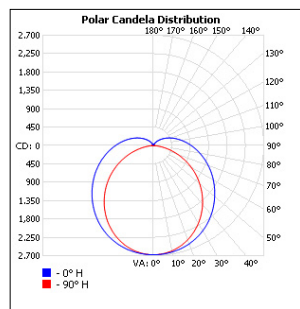
FEATURES & BENEFITS

- Available in three form factors: 60cm, 120cm and 150cm
- One temperature: 4000K
- Robust and waterproof with IP66
- Lens angle: 110°
- Color rendering index: 80
- Efficiency @4000K: 153 lm/W

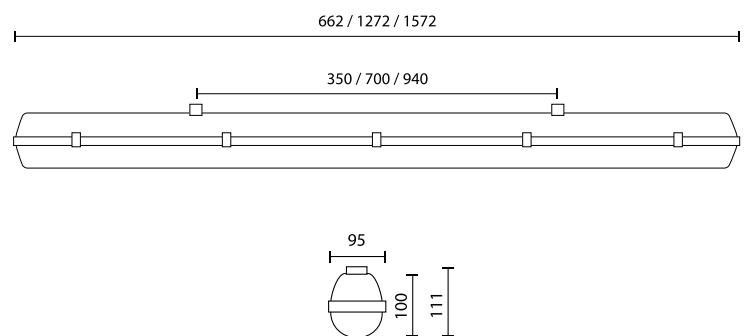
APPLICATIONS

Shipping | Storage Facilities | Workshops |
Industrial & Logistics | Parking

LIGHT DISTRIBUTION



TECHNICAL DRAW



SPECIFICATIONS

Power	8W, 10W, 14W	16W, 20W, 27W, 38W	20W, 24W, 33W, 45W
Dimensions	662 x 95 x 100 ± 1mm	1272 x 95 x 100 ± 1mm	1572 x 95 x 100 ± 1mm
Color Rendering	CRI80		
Housing materials	Polycarbonate		
IK Code	IK10		
Operating temperature (°C) for Non-DALI	-25°C...+45°C/-13F...+113F		
Operating temperature (°C) for Non-DALI EM	-25°C...+25°C/-13F...+77F		
Color temperature	4000K		
Lens angle (°)	110°		
Lifespan (h)	50000		
Housing color	Grey		
Color consistency	MacAdam 3		
Lumen maintenance	L90/B10@50.000h at 25°C		
IP Rating	IP66		
Control option	-		
Emergency option (only for Non-DALI EM)	EM1H, EM3H		
Warranty (years)	5 years		
Efficiency @4000K	153 lm/W		
Luminous flux tolerance	+/- 10%		
Risk group	<p>RG0</p> <p>The evaluation of photobiological safety is carried out according to the standard IEC 62471:2008 ("Photobiological safety of lamps and lamp systems"). Following the definition of the risk grouping system of the mentioned IEC standard, the LEDs mounted on this family fall into the class "No Risk (RG0 – No photobiological hazard)". Under real circumstances (regarding exposure time, pupils, observation distance, it is assumed that there is no endangerment to the eye from these devices. As a matter of principle, however, it should be mentioned that intense light sources have a high secondary exposure potential due to their blinding effect.</p>		

MAXIMUM NO. OF LUMINAIRES ON A CIRCUIT

Luminaire Configuration(cm)	Control type	Circuit Breaker Type			
		B			
		16	10	16	10
60	Non-DALI	50	32	85	52
120	Non-DALI	16	10	26	16
150	Non-DALI	16	10	26	16

SKU SPECIFICATIONS

Article Number	Dimensions (mm)	CCT (K)	Lumens (lm)	Power (W)	Efficiency (lm/watt)	Lens angle (degrees)	Weight (kg)
174300 Jasper 60IP66/4000/8W/80/A110	662 x 95 x 100 ± 1mm	4000	1170	8W	146	110°	1.3 Kg
174301 Jasper 60IP66/4000/10W/80/A110	662 x 95 x 100 ± 1mm	4000	1410	10W	141	110°	1.3 Kg
174302 Jasper 60IP66/4000/14W/80/A110	662 x 95 x 100 ± 1mm	4000	1960	14W	140	110°	1.3 Kg
174303 Jasper 120IP66/4000/16W/80/A110	1272 x 95 x 100 ± 1mm	4000	2300	16W	144	110°	1.9 Kg
174304 Jasper 120IP66/4000/20W/80/A110	1272 x 95 x 100 ± 1mm	4000	2770	20W	139	110°	1.9 Kg
174305 Jasper 120IP66/4000/27W/80/A110	1272 x 95 x 100 ± 1mm	4000	3870	27W	143	110°	1.9 Kg
174306 Jasper 120IP66/4000/38W/80/A110	1272 x 95 x 100 ± 1mm	4000	5570	38W	147	110°	1.9 Kg
174307 Jasper 150IP66/4000/20W/80/A110	1572 x 95 x 100 ± 1mm	4000	2880	20W	144	110°	2.3 Kg
174308 Jasper 150IP66/4000/24W/80/A110	1572 x 95 x 100 ± 1mm	4000	3450	24W	144	110°	2.3 Kg
174309 Jasper 150IP66/4000/33W/80/A110	1572 x 95 x 100 ± 1mm	4000	4820	33W	146	110°	2.3 Kg
174310 Jasper 150IP66/4000/45W/80/A110	1572 x 95 x 100 ± 1mm	4000	6890	45W	153	110°	2.3 Kg
Equipped with 1 hour emergency kit							
174314 Jasper 120IP66/4000/16W/80/A110/EM1H	1272 x 95 x 100 ± 1mm	4000	2300	16W	144	110°	1.9 Kg
174315 Jasper 120IP66/4000/20W/80/A110/EM1H	1272 x 95 x 100 ± 1mm	4000	2770	20W	139	110°	1.9 Kg
174316 Jasper 120IP66/4000/27W/80/A110/EM1H	1272 x 95 x 100 ± 1mm	4000	3870	27W	143	110°	1.9 Kg
174318 Jasper 150IP66/4000/20W/80/A110/EM1H	1572 x 95 x 100 ± 1mm	4000	2880	20W	144	110°	2.3 Kg
174319 Jasper 150IP66/4000/24W/80/A110/EM1H	1572 x 95 x 100 ± 1mm	4000	3450	24W	144	110°	2.3 Kg
174320 Jasper 150IP66/4000/33W/80/A110/EM1H	1572 x 95 x 100 ± 1mm	4000	4820	33W	146	110°	2.3 Kg
Equipped with 3 hours emergency kit							
174325 Jasper 120IP66/4000/16W/80/A110/EM3H	1272 x 95 x 100 ± 1mm	4000	2300	16W	144	110°	1.9 Kg
174326 Jasper 120IP66/4000/20W/80/A110/EM3H	1272 x 95 x 100 ± 1mm	4000	2770	20W	139	110°	1.9 Kg
174327 Jasper 120IP66/4000/27W/80/A110/EM3H	1272 x 95 x 100 ± 1mm	4000	3870	27W	143	110°	1.9 Kg
174329 Jasper 150IP66/4000/20W/80/A110/EM3H	1572 x 95 x 100 ± 1mm	4000	2880	20W	144	110°	2.3 Kg
174330 Jasper 150IP66/4000/24W/80/A110/EM3H	1572 x 95 x 100 ± 1mm	4000	3450	24W	144	110°	2.3 Kg
174331 Jasper 150IP66/4000/33W/80/A110/EM3H	1572 x 95 x 100 ± 1mm	4000	4820	33W	146	110°	2.3 Kg