



## Sedona

### RECESSED DOWNLIGHTS | DALI EM SERIES

Round recessed LED downlight for general lighting and accent lighting with perfect glare control. Highly reflective aluminum finish for zero iridescence. Best for applications such as offices, showrooms, commercial areas, hospitals, hotels, airports. Housing available in three colors - signal white, jet black, white aluminum, easy to complement any type of ceiling.

Sedona recessed downlight comes in several series, with various add-on and controls:

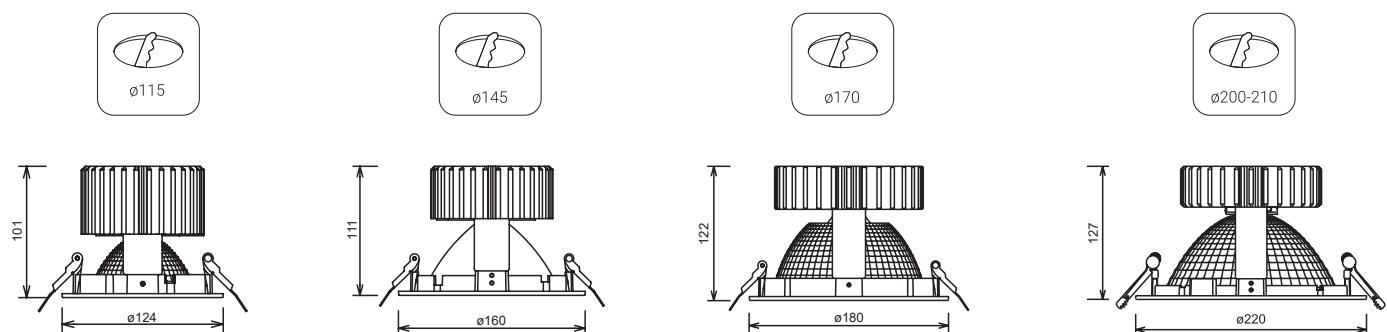
- Sedona Non-DALI – the standard for a large number of spaces – offices, showrooms, restaurants
- Sedona Non-DALI EM - with emergency lighting kit
- Sedona DALI – with DALI controls for illumination adjustments
- Sedona DALI EM – series with emergency lighting kit and dimming

### FEATURES & BENEFITS

- CRI  $\geq$  80 standard
- Very long service life: 50,000 h at 90% luminous flux
- High efficiency of 117 lm/watt
- 4 types of lens angle
- Dimmable
- With emergency kits of 1h and 3 h

### APPLICATION

Grocery & Supermarkets | Retail | Office | Healthcare | Hospitality | DIY



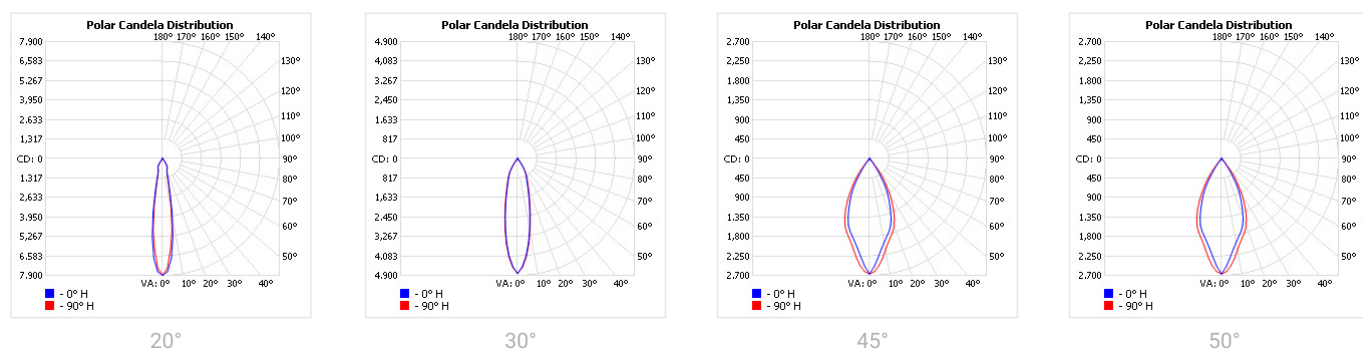
SPECIFICATIONS

Power consumption	14W, 20W, 27W, 35W, 42W
Dimensions	D124xH101xØ115±1mm   D160xH111xØ145±1mm   D180xH122xØ170±1mm   D220xH127xØ200-210±1mm
Weight	1.4 - 1.8 Kg
Housing materials	Aluminium, glass
IK code	IK02
THD (at 230V, 50Hz, Full load)	<20%
Protection class	Safety class 1
Operating temperature [°C]	+5°C ... +40°C / +41F ... +104F
Operating humidity [%]	10 ÷ 85
Power factor	≥0.95
AC Input [Vac]	220 - 240 VAC
Lens angle [°]	20°, 30°, 45°, 50°
Lifespan [h]	50,000
Housing color	○ RAL 9003 - Signal White, ● RAL 9005 - Jet Black, ● RAL 9006 - White Aluminium
Lumen maintenance	L90/B10@50,000h at 25°C
IP factor	IP20
Control optional	DALI
Warranty [years]	5
Storage temperature range [°C]	+5°C ... +25°C / +41F ... +77F
Emergency option	EM1H, EM3H

#	Standard
CRI	CRI80
CCT [K]	2700 / 3000 / 3500 / 4000
MacAdam	3

CRI - Color rendering, CCT - Color temperature, MacAdam - Color consistency

LIGHT DISTRIBUTION



**TOLERANCES**

**Luminous flux tolerances:** -/+ 5%

**Consumption tolerance:** -/+ 5% for Non-DALI | -/+ 10% for Non-DALI & KIT EM | -/+ 10% for DALI | -/+ 15% for DALI & KIT EM

**BATTERY WARRANTY**

**Non-DALI EM & DALI EM:** 12 months warranty

**Non-DALI & DALI:** -

**MAXIMUM NO. OF LUMINAIRES ON A CIRCUIT**

Luminaire Power(W)	Control type	Circuit Breaker Type					
		B			C		
		20	16	10	20	16	10
8-20W	Non-DALI	62	50	31	104	85	52
23-35W	Non-DALI	24	20	10	47	40	20
42W	Non-DALI	20	16	8	38	32	16
8-20W	DALI	62	50	31	104	85	52
23-27W	DALI	25	21	13	50	42	26
34-42W	DALI	17	14	9	34	28	18

**RISK GROUP**

<b>Standard (CRI80)</b>	RG1
<b>FOOD (BVF, FBS, FSM)</b>	RG1
<b>FOOD ≤35W (FZM, FSH)</b>	RG1
<b>FOOD &gt;35W (FZM, FSH)</b>	RG2
<b>FAS</b>	RG1
<b>AMB2200</b>	RG1
<b>ART</b>	RG1
<b>AGI</b>	RG1
<b>CRI90</b>	RG1
<b>CRI95</b>	RG1
<b>ENT</b>	RG1

**RG1**

The evaluation of photobiological safety is carried out according to the standard IEC 62471:2008 ("Photobiological safety of lamps and lamp systems"). Following the definition of the risk grouping system of the mentioned IEC standard, the LEDs mounted on this family fall into the class "Low Risk (RG1 – No photobiological hazard under normal behavioral limitations)". Under real circumstances (regarding exposure time, pupils, observation distance), it is assumed that there is no endangerment to the eye from these devices. As a matter of principle, however, it should be mentioned that intense light sources have a high secondary exposure potential due to their blinding effect.

**RG2**

The evaluation of photobiological safety is carried out according to the standard IEC 62471:2008 ("Photobiological safety of lamps and lamp systems"). Following the definition of the risk grouping system of the mentioned IEC standard, the LEDs mounted on this family fall into the class "Moderate Risk (RG2)". Under real circumstances (regarding exposure time, pupils, observation distance), it is assumed that there is no endangerment to the eye from these devices. As a matter of principle, however, it should be mentioned that intense light sources have a high secondary exposure potential due to their blinding effect.

SKU SPECIFICATIONS

Product Code	Dimensions (mm)	CCT (K)	Lumens (lm)	Power (W)	Eff. (lm/watt)	Lens Angle (°)
<b>CRI 80</b>						
245614 Sedona D32020/2700/14W/80/A20/EM1H	D124xH101mmxØ115mm±1mm	2700	1485	14W	107	20°
245615 Sedona D32020/3000/14W/80/A20/EM1H	D124xH101mmxØ115mm±1mm	3000	1500	14W	108	20°
245616 Sedona D32020/3500/14W/80/A20/EM1H	D124xH101mmxØ115mm±1mm	3500	1540	14W	110	20°
245617 Sedona D32020/4000/14W/80/A20/EM1H	D124xH101mmxØ115mm±1mm	4000	1570	14W	113	20°
245619 Sedona D32020/2700/20W/80/A20/EM1H	D124xH101mmxØ115mm±1mm	2700	2080	20W	104	20°
245620 Sedona D32020/3000/20W/80/A20/EM1H	D124xH101mmxØ115mm±1mm	3000	2100	20W	105	20°
245621 Sedona D32020/3500/20W/80/A20/EM1H	D124xH101mmxØ115mm±1mm	3500	2160	20W	108	20°
245622 Sedona D32020/4000/20W/80/A20/EM1H	D124xH101mmxØ115mm±1mm	4000	2200	20W	110	20°
245624 Sedona D32020/2700/27W/80/A20/EM1H	D124xH101mmxØ115mm±1mm	2700	2945	27W	110	20°
245625 Sedona D32020/3000/27W/80/A20/EM1H	D124xH101mmxØ115mm±1mm	3000	2970	27W	110	20°
245626 Sedona D32020/3500/27W/80/A20/EM1H	D124xH101mmxØ115mm±1mm	3500	3055	27W	114	20°
245627 Sedona D32020/4000/27W/80/A20/EM1H	D124xH101mmxØ115mm±1mm	4000	3135	27W	117	20°
245629 Sedona D32020/2700/35W/80/A20/EM1H	D124xH101mmxØ115mm±1mm	2700	3710	35W	106	20°
245630 Sedona D32020/3000/35W/80/A20/EM1H	D124xH101mmxØ115mm±1mm	3000	3745	35W	107	20°
245631 Sedona D32020/3500/35W/80/A20/EM1H	D124xH101mmxØ115mm±1mm	3500	3815	35W	109	20°
245632 Sedona D32020/4000/35W/80/A20/EM1H	D124xH101mmxØ115mm±1mm	4000	3920	35W	112	20°
245634 Sedona D32020/2700/42W/80/A20/EM1H	D124xH101mmxØ115mm±1mm	2700	4200	42W	100	20°
245635 Sedona D32020/3000/42W/80/A20/EM1H	D124xH101mmxØ115mm±1mm	3000	4200	42W	100	20°
245636 Sedona D32020/3500/42W/80/A20/EM1H	D124xH101mmxØ115mm±1mm	3500	4330	42W	103	20°
245637 Sedona D32020/4000/42W/80/A20/EM1H	D124xH101mmxØ115mm±1mm	4000	4455	42W	106	20°
245639 Sedona D32020/2700/14W/80/A30/EM1H	D124xH101mmxØ115mm±1mm	2700	1485	14W	107	30°
245640 Sedona D32020/3000/14W/80/A30/EM1H	D124xH101mmxØ115mm±1mm	3000	1500	14W	108	30°
245641 Sedona D32020/3500/14W/80/A30/EM1H	D124xH101mmxØ115mm±1mm	3500	1540	14W	110	30°
245642 Sedona D32020/4000/14W/80/A30/EM1H	D124xH101mmxØ115mm±1mm	4000	1570	14W	113	30°
245644 Sedona D32020/2700/20W/80/A30/EM1H	D124xH101mmxØ115mm±1mm	2700	2080	20W	104	30°
245645 Sedona D32020/3000/20W/80/A30/EM1H	D124xH101mmxØ115mm±1mm	3000	2100	20W	105	30°
245646 Sedona D32020/3500/20W/80/A30/EM1H	D124xH101mmxØ115mm±1mm	3500	2160	20W	108	30°
245647 Sedona D32020/4000/20W/80/A30/EM1H	D124xH101mmxØ115mm±1mm	4000	2200	20W	110	30°
245649 Sedona D32020/2700/27W/80/A30/EM1H	D124xH101mmxØ115mm±1mm	2700	2945	27W	110	30°
245650 Sedona D32020/3000/27W/80/A30/EM1H	D124xH101mmxØ115mm±1mm	3000	2970	27W	110	30°
245651 Sedona D32020/3500/27W/80/A30/EM1H	D124xH101mmxØ115mm±1mm	3500	3055	27W	114	30°
245652 Sedona D32020/4000/27W/80/A30/EM1H	D124xH101mmxØ115mm±1mm	4000	3135	27W	117	30°
245654 Sedona D32020/2700/35W/80/A30/EM1H	D124xH101mmxØ115mm±1mm	2700	3710	35W	106	30°
245655 Sedona D32020/3000/35W/80/A30/EM1H	D124xH101mmxØ115mm±1mm	3000	3745	35W	107	30°
245656 Sedona D32020/3500/35W/80/A30/EM1H	D124xH101mmxØ115mm±1mm	3500	3815	35W	109	30°
245657 Sedona D32020/4000/35W/80/A30/EM1H	D124xH101mmxØ115mm±1mm	4000	3920	35W	112	30°
245659 Sedona D32020/2700/42W/80/A30/EM1H	D124xH101mmxØ115mm±1mm	2700	4200	42W	100	30°
245660 Sedona D32020/3000/42W/80/A30/EM1H	D124xH101mmxØ115mm±1mm	3000	4200	42W	100	30°
245661 Sedona D32020/3500/42W/80/A30/EM1H	D124xH101mmxØ115mm±1mm	3500	4330	42W	103	30°
245662 Sedona D32020/4000/42W/80/A30/EM1H	D124xH101mmxØ115mm±1mm	4000	4455	42W	106	30°
245196 Sedona D32020/2700/14W/80/A50/EM1H	D124xH101mmxØ115mm±1mm	2700	1485	14W	107	50°
245197 Sedona D32020/3000/14W/80/A50/EM1H	D124xH101mmxØ115mm±1mm	3000	1500	14W	108	50°
245198 Sedona D32020/3500/14W/80/A50/EM1H	D124xH101mmxØ115mm±1mm	3500	1540	14W	110	50°
245199 Sedona D32020/4000/14W/80/A50/EM1H	D124xH101mmxØ115mm±1mm	4000	1570	14W	113	50°
245201 Sedona D32020/2700/20W/80/A50/EM1H	D124xH101mmxØ115mm±1mm	2700	2080	20W	104	50°
245202 Sedona D32020/3000/20W/80/A50/EM1H	D124xH101mmxØ115mm±1mm	3000	2100	20W	105	50°
245203 Sedona D32020/3500/20W/80/A50/EM1H	D124xH101mmxØ115mm±1mm	3500	2160	20W	108	50°
245204 Sedona D32020/4000/20W/80/A50/EM1H	D124xH101mmxØ115mm±1mm	4000	2200	20W	110	50°
245206 Sedona D32020/2700/27W/80/A50/EM1H	D124xH101mmxØ115mm±1mm	2700	2945	27W	110	50°
245207 Sedona D32020/3000/27W/80/A50/EM1H	D124xH101mmxØ115mm±1mm	3000	2970	27W	110	50°
245208 Sedona D32020/3500/27W/80/A50/EM1H	D124xH101mmxØ115mm±1mm	3500	3055	27W	114	50°
245209 Sedona D32020/4000/27W/80/A50/EM1H	D124xH101mmxØ115mm±1mm	4000	3135	27W	117	50°

SKU SPECIFICATIONS

Product Code	Dimensions (mm)	CCT (K)	Lumens (lm)	Power (W)	Eff. (lm/watt)	Lens Angle (°)
<b>CRI 80</b>						
245211 Sedona D32020/2700/35W/80/A50/EM1H	D124xH101mmxØ115mm±1mm	2700	3710	35W	106	50°
245212 Sedona D32020/3000/35W/80/A50/EM1H	D124xH101mmxØ115mm±1mm	3000	3745	35W	107	50°
245213 Sedona D32020/3500/35W/80/A50/EM1H	D124xH101mmxØ115mm±1mm	3500	3815	35W	109	50°
245214 Sedona D32020/4000/35W/80/A50/EM1H	D124xH101mmxØ115mm±1mm	4000	3920	35W	112	50°
245216 Sedona D32020/2700/42W/80/A50/EM1H	D124xH101mmxØ115mm±1mm	2700	4200	42W	100	50°
245217 Sedona D32020/3000/42W/80/A50/EM1H	D124xH101mmxØ115mm±1mm	3000	4200	42W	100	50°
245218 Sedona D32020/3500/42W/80/A50/EM1H	D124xH101mmxØ115mm±1mm	3500	4330	42W	103	50°
245219 Sedona D32020/4000/42W/80/A50/EM1H	D124xH101mmxØ115mm±1mm	4000	4455	42W	106	50°
245221 Sedona D32023/2700/14W/80/A50/EM1H	D160xH111mmxØ145mm±1mm	2700	1485	14W	107	50°
245222 Sedona D32023/3000/14W/80/A50/EM1H	D160xH111mmxØ145mm±1mm	3000	1500	14W	108	50°
245223 Sedona D32023/3500/14W/80/A50/EM1H	D160xH111mmxØ145mm±1mm	3500	1540	14W	110	50°
245224 Sedona D32023/4000/14W/80/A50/EM1H	D160xH111mmxØ145mm±1mm	4000	1570	14W	113	50°
245226 Sedona D32023/2700/20W/80/A50/EM1H	D160xH111mmxØ145mm±1mm	2700	2080	20W	104	50°
245227 Sedona D32023/3000/20W/80/A50/EM1H	D160xH111mmxØ145mm±1mm	3000	2100	20W	105	50°
245228 Sedona D32023/3500/20W/80/A50/EM1H	D160xH111mmxØ145mm±1mm	3500	2160	20W	108	50°
245229 Sedona D32023/4000/20W/80/A50/EM1H	D160xH111mmxØ145mm±1mm	4000	2200	20W	110	50°
245231 Sedona D32023/2700/27W/80/A50/EM1H	D160xH111mmxØ145mm±1mm	2700	2945	27W	110	50°
245232 Sedona D32023/3000/27W/80/A50/EM1H	D160xH111mmxØ145mm±1mm	3000	2970	27W	110	50°
245233 Sedona D32023/3500/27W/80/A50/EM1H	D160xH111mmxØ145mm±1mm	3500	3055	27W	114	50°
245234 Sedona D32023/4000/27W/80/A50/EM1H	D160xH111mmxØ145mm±1mm	4000	3135	27W	117	50°
245236 Sedona D32023/2700/35W/80/A50/EM1H	D160xH111mmxØ145mm±1mm	2700	3710	35W	106	50°
245237 Sedona D32023/3000/35W/80/A50/EM1H	D160xH111mmxØ145mm±1mm	3000	3745	35W	107	50°
245238 Sedona D32023/3500/35W/80/A50/EM1H	D160xH111mmxØ145mm±1mm	3500	3815	35W	109	50°
245239 Sedona D32023/4000/35W/80/A50/EM1H	D160xH111mmxØ145mm±1mm	4000	3920	35W	112	50°
245241 Sedona D32023/2700/42W/80/A50/EM1H	D160xH111mmxØ145mm±1mm	2700	4200	42W	100	50°
245242 Sedona D32023/3000/42W/80/A50/EM1H	D160xH111mmxØ145mm±1mm	3000	4200	42W	100	50°
245243 Sedona D32023/3500/42W/80/A50/EM1H	D160xH111mmxØ145mm±1mm	3500	4330	42W	103	50°
245244 Sedona D32023/4000/42W/80/A50/EM1H	D160xH111mmxØ145mm±1mm	4000	4455	42W	106	50°
245246 Sedona D32024/2700/14W/80/A45/EM1H	D180xH122mmxØ170mm±1mm	2700	1485	14W	107	45°
245247 Sedona D32024/3000/14W/80/A45/EM1H	D180xH122mmxØ170mm±1mm	3000	1500	14W	108	45°
245248 Sedona D32024/3500/14W/80/A45/EM1H	D180xH122mmxØ170mm±1mm	3500	1540	14W	110	45°
245249 Sedona D32024/4000/14W/80/A45/EM1H	D180xH122mmxØ170mm±1mm	4000	1570	14W	113	45°
245251 Sedona D32024/2700/20W/80/A45/EM1H	D180xH122mmxØ170mm±1mm	2700	2080	20W	104	45°
245252 Sedona D32024/3000/20W/80/A45/EM1H	D180xH122mmxØ170mm±1mm	3000	2100	20W	105	45°
245253 Sedona D32024/3500/20W/80/A45/EM1H	D180xH122mmxØ170mm±1mm	3500	2160	20W	108	45°
245254 Sedona D32024/4000/20W/80/A45/EM1H	D180xH122mmxØ170mm±1mm	4000	2200	20W	110	45°
245256 Sedona D32024/2700/27W/80/A45/EM1H	D180xH122mmxØ170mm±1mm	2700	2945	27W	110	45°
245257 Sedona D32024/3000/27W/80/A45/EM1H	D180xH122mmxØ170mm±1mm	3000	2970	27W	110	45°
245258 Sedona D32024/3500/27W/80/A45/EM1H	D180xH122mmxØ170mm±1mm	3500	3055	27W	114	45°
245259 Sedona D32024/4000/27W/80/A45/EM1H	D180xH122mmxØ170mm±1mm	4000	3135	27W	117	45°
245261 Sedona D32024/2700/35W/80/A45/EM1H	D180xH122mmxØ170mm±1mm	2700	3710	35W	106	45°
245262 Sedona D32024/3000/35W/80/A45/EM1H	D180xH122mmxØ170mm±1mm	3000	3745	35W	107	45°
245263 Sedona D32024/3500/35W/80/A45/EM1H	D180xH122mmxØ170mm±1mm	3500	3815	35W	109	45°
245264 Sedona D32024/4000/35W/80/A45/EM1H	D180xH122mmxØ170mm±1mm	4000	3920	35W	112	45°
245266 Sedona D32024/2700/42W/80/A45/EM1H	D180xH122mmxØ170mm±1mm	2700	4200	42W	100	45°
245267 Sedona D32024/3000/42W/80/A45/EM1H	D180xH122mmxØ170mm±1mm	3000	4200	42W	100	45°
245268 Sedona D32024/3500/42W/80/A45/EM1H	D180xH122mmxØ170mm±1mm	3500	4330	42W	103	45°
245269 Sedona D32024/4000/42W/80/A45/EM1H	D180xH122mmxØ170mm±1mm	4000	4455	42W	106	45°
245271 Sedona D32025/2700/14W/80/A50/EM1H	D220xH127mmxØ200mm-210mm±1mm	2700	1485	14W	107	50°
245272 Sedona D32025/3000/14W/80/A50/EM1H	D220xH127mmxØ200mm-210mm±1mm	3000	1500	14W	108	50°
245273 Sedona D32025/3500/14W/80/A50/EM1H	D220xH127mmxØ200mm-210mm±1mm	3500	1540	14W	110	50°
245274 Sedona D32025/4000/14W/80/A50/EM1H	D220xH127mmxØ200mm-210mm±1mm	4000	1570	14W	113	50°

SKU SPECIFICATIONS

Product Code	Dimensions (mm)	CCT (K)	Lumens (lm)	Power (W)	Eff. (lm/watt)	Lens Angle (°)
<b>CRI 80</b>						
245276 Sedona D32025/2700/20W/80/A50/EM1H	D220xH127mmxØ200mm-210mm±1mm	2700	2080	20W	104	50°
245277 Sedona D32025/3000/20W/80/A50/EM1H	D220xH127mmxØ200mm-210mm±1mm	3000	2100	20W	105	50°
245278 Sedona D32025/3500/20W/80/A50/EM1H	D220xH127mmxØ200mm-210mm±1mm	3500	2160	20W	108	50°
245279 Sedona D32025/4000/20W/80/A50/EM1H	D220xH127mmxØ200mm-210mm±1mm	4000	2200	20W	110	50°
245281 Sedona D32025/2700/27W/80/A50/EM1H	D220xH127mmxØ200mm-210mm±1mm	2700	2945	27W	110	50°
245282 Sedona D32025/3000/27W/80/A50/EM1H	D220xH127mmxØ200mm-210mm±1mm	3000	2970	27W	110	50°
245283 Sedona D32025/3500/27W/80/A50/EM1H	D220xH127mmxØ200mm-210mm±1mm	3500	3055	27W	114	50°
245284 Sedona D32025/4000/27W/80/A50/EM1H	D220xH127mmxØ200mm-210mm±1mm	4000	3135	27W	117	50°
245286 Sedona D32025/2700/35W/80/A50/EM1H	D220xH127mmxØ200mm-210mm±1mm	2700	3710	35W	106	50°
245287 Sedona D32025/3000/35W/80/A50/EM1H	D220xH127mmxØ200mm-210mm±1mm	3000	3745	35W	107	50°
245288 Sedona D32025/3500/35W/80/A50/EM1H	D220xH127mmxØ200mm-210mm±1mm	3500	3815	35W	109	50°
245289 Sedona D32025/4000/35W/80/A50/EM1H	D220xH127mmxØ200mm-210mm±1mm	4000	3920	35W	112	50°
245291 Sedona D32025/2700/42W/80/A50/EM1H	D220xH127mmxØ200mm-210mm±1mm	2700	4200	42W	100	50°
245292 Sedona D32025/3000/42W/80/A50/EM1H	D220xH127mmxØ200mm-210mm±1mm	3000	4200	42W	100	50°
245293 Sedona D32025/3500/42W/80/A50/EM1H	D220xH127mmxØ200mm-210mm±1mm	3500	4330	42W	103	50°
245294 Sedona D32025/4000/42W/80/A50/EM1H	D220xH127mmxØ200mm-210mm±1mm	4000	4455	42W	106	50°
245664 Sedona D32020/2700/14W/80/A20/EM3H	D124xH101mmxØ115mm±1mm	2700	1485	14W	107	20°
245665 Sedona D32020/3000/14W/80/A20/EM3H	D124xH101mmxØ115mm±1mm	3000	1500	14W	108	20°
245666 Sedona D32020/3500/14W/80/A20/EM3H	D124xH101mmxØ115mm±1mm	3500	1540	14W	110	20°
245667 Sedona D32020/4000/14W/80/A20/EM3H	D124xH101mmxØ115mm±1mm	4000	1570	14W	113	20°
245669 Sedona D32020/2700/20W/80/A20/EM3H	D124xH101mmxØ115mm±1mm	2700	2080	20W	104	20°
245670 Sedona D32020/3000/20W/80/A20/EM3H	D124xH101mmxØ115mm±1mm	3000	2100	20W	105	20°
245671 Sedona D32020/3500/20W/80/A20/EM3H	D124xH101mmxØ115mm±1mm	3500	2160	20W	108	20°
245672 Sedona D32020/4000/20W/80/A20/EM3H	D124xH101mmxØ115mm±1mm	4000	2200	20W	110	20°
245674 Sedona D32020/2700/27W/80/A20/EM3H	D124xH101mmxØ115mm±1mm	2700	2945	27W	110	20°
245675 Sedona D32020/3000/27W/80/A20/EM3H	D124xH101mmxØ115mm±1mm	3000	2970	27W	110	20°
245676 Sedona D32020/3500/27W/80/A20/EM3H	D124xH101mmxØ115mm±1mm	3500	3055	27W	114	20°
245677 Sedona D32020/4000/27W/80/A20/EM3H	D124xH101mmxØ115mm±1mm	4000	3135	27W	117	20°
245679 Sedona D32020/2700/35W/80/A20/EM3H	D124xH101mmxØ115mm±1mm	2700	3710	35W	106	20°
245680 Sedona D32020/3000/35W/80/A20/EM3H	D124xH101mmxØ115mm±1mm	3000	3745	35W	107	20°
245681 Sedona D32020/3500/35W/80/A20/EM3H	D124xH101mmxØ115mm±1mm	3500	3815	35W	109	20°
245682 Sedona D32020/4000/35W/80/A20/EM3H	D124xH101mmxØ115mm±1mm	4000	3920	35W	112	20°
245684 Sedona D32020/2700/42W/80/A20/EM3H	D124xH101mmxØ115mm±1mm	2700	4200	42W	100	20°
245685 Sedona D32020/3000/42W/80/A20/EM3H	D124xH101mmxØ115mm±1mm	3000	4200	42W	100	20°
245686 Sedona D32020/3500/42W/80/A20/EM3H	D124xH101mmxØ115mm±1mm	3500	4330	42W	103	20°
245687 Sedona D32020/4000/42W/80/A20/EM3H	D124xH101mmxØ115mm±1mm	4000	4455	42W	106	20°
245689 Sedona D32020/2700/14W/80/A30/EM3H	D124xH101mmxØ115mm±1mm	2700	1485	14W	107	30°
245690 Sedona D32020/3000/14W/80/A30/EM3H	D124xH101mmxØ115mm±1mm	3000	1500	14W	108	30°
245691 Sedona D32020/3500/14W/80/A30/EM3H	D124xH101mmxØ115mm±1mm	3500	1540	14W	110	30°
245692 Sedona D32020/4000/14W/80/A30/EM3H	D124xH101mmxØ115mm±1mm	4000	1570	14W	113	30°
245694 Sedona D32020/2700/20W/80/A30/EM3H	D124xH101mmxØ115mm±1mm	2700	2080	20W	104	30°
245695 Sedona D32020/3000/20W/80/A30/EM3H	D124xH101mmxØ115mm±1mm	3000	2100	20W	105	30°
245696 Sedona D32020/3500/20W/80/A30/EM3H	D124xH101mmxØ115mm±1mm	3500	2160	20W	108	30°
245697 Sedona D32020/4000/20W/80/A30/EM3H	D124xH101mmxØ115mm±1mm	4000	2200	20W	110	30°
245699 Sedona D32020/2700/27W/80/A30/EM3H	D124xH101mmxØ115mm±1mm	2700	2945	27W	110	30°
245700 Sedona D32020/3000/27W/80/A30/EM3H	D124xH101mmxØ115mm±1mm	3000	2970	27W	110	30°
245701 Sedona D32020/3500/27W/80/A30/EM3H	D124xH101mmxØ115mm±1mm	3500	3055	27W	114	30°
245702 Sedona D32020/4000/27W/80/A30/EM3H	D124xH101mmxØ115mm±1mm	4000	3135	27W	117	30°
245704 Sedona D32020/2700/35W/80/A30/EM3H	D124xH101mmxØ115mm±1mm	2700	3710	35W	106	30°
245705 Sedona D32020/3000/35W/80/A30/EM3H	D124xH101mmxØ115mm±1mm	3000	3745	35W	107	30°
245706 Sedona D32020/3500/35W/80/A30/EM3H	D124xH101mmxØ115mm±1mm	3500	3815	35W	109	30°
245707 Sedona D32020/4000/35W/80/A30/EM3H	D124xH101mmxØ115mm±1mm	4000	3920	35W	112	30°

SKU SPECIFICATIONS

Product Code	Dimensions (mm)	CCT (K)	Lumens (lm)	Power (W)	Eff. (lm/watt)	Lens Angle (°)
<b>CRI 80</b>						
245709 Sedona D32020/2700/42W/80/A30/EM3H	D124xH101mmxØ115mm±1mm	2700	4200	42W	100	30°
245710 Sedona D32020/3000/42W/80/A30/EM3H	D124xH101mmxØ115mm±1mm	3000	4200	42W	100	30°
245711 Sedona D32020/3500/42W/80/A30/EM3H	D124xH101mmxØ115mm±1mm	3500	4330	42W	103	30°
245712 Sedona D32020/4000/42W/80/A30/EM3H	D124xH101mmxØ115mm±1mm	4000	4455	42W	106	30°
245296 Sedona D32020/2700/14W/80/A50/EM3H	D124xH101mmxØ115mm±1mm	2700	1485	14W	107	50°
245297 Sedona D32020/3000/14W/80/A50/EM3H	D124xH101mmxØ115mm±1mm	3000	1500	14W	108	50°
245298 Sedona D32020/3500/14W/80/A50/EM3H	D124xH101mmxØ115mm±1mm	3500	1540	14W	110	50°
245299 Sedona D32020/4000/14W/80/A50/EM3H	D124xH101mmxØ115mm±1mm	4000	1570	14W	113	50°
245301 Sedona D32020/2700/20W/80/A50/EM3H	D124xH101mmxØ115mm±1mm	2700	2080	20W	104	50°
245302 Sedona D32020/3000/20W/80/A50/EM3H	D124xH101mmxØ115mm±1mm	3000	2100	20W	105	50°
245303 Sedona D32020/3500/20W/80/A50/EM3H	D124xH101mmxØ115mm±1mm	3500	2160	20W	108	50°
245304 Sedona D32020/4000/20W/80/A50/EM3H	D124xH101mmxØ115mm±1mm	4000	2200	20W	110	50°
245306 Sedona D32020/2700/27W/80/A50/EM3H	D124xH101mmxØ115mm±1mm	2700	2945	27W	110	50°
245307 Sedona D32020/3000/27W/80/A50/EM3H	D124xH101mmxØ115mm±1mm	3000	2970	27W	110	50°
245308 Sedona D32020/3500/27W/80/A50/EM3H	D124xH101mmxØ115mm±1mm	3500	3055	27W	114	50°
245309 Sedona D32020/4000/27W/80/A50/EM3H	D124xH101mmxØ115mm±1mm	4000	3135	27W	117	50°
245311 Sedona D32020/2700/35W/80/A50/EM3H	D124xH101mmxØ115mm±1mm	2700	3710	35W	106	50°
245312 Sedona D32020/3000/35W/80/A50/EM3H	D124xH101mmxØ115mm±1mm	3000	3745	35W	107	50°
245313 Sedona D32020/3500/35W/80/A50/EM3H	D124xH101mmxØ115mm±1mm	3500	3815	35W	109	50°
245314 Sedona D32020/4000/35W/80/A50/EM3H	D124xH101mmxØ115mm±1mm	4000	3920	35W	112	50°
245316 Sedona D32020/2700/42W/80/A50/EM3H	D124xH101mmxØ115mm±1mm	2700	4200	42W	100	50°
245317 Sedona D32020/3000/42W/80/A50/EM3H	D124xH101mmxØ115mm±1mm	3000	4200	42W	100	50°
245318 Sedona D32020/3500/42W/80/A50/EM3H	D124xH101mmxØ115mm±1mm	3500	4330	42W	103	50°
245319 Sedona D32020/4000/42W/80/A50/EM3H	D124xH101mmxØ115mm±1mm	4000	4455	42W	106	50°
245321 Sedona D32023/2700/14W/80/A50/EM3H	D160xH111mmxØ145mm±1mm	2700	1485	14W	107	50°
245322 Sedona D32023/3000/14W/80/A50/EM3H	D160xH111mmxØ145mm±1mm	3000	1500	14W	108	50°
245323 Sedona D32023/3500/14W/80/A50/EM3H	D160xH111mmxØ145mm±1mm	3500	1540	14W	110	50°
245324 Sedona D32023/4000/14W/80/A50/EM3H	D160xH111mmxØ145mm±1mm	4000	1570	14W	113	50°
245326 Sedona D32023/2700/20W/80/A50/EM3H	D160xH111mmxØ145mm±1mm	2700	2080	20W	104	50°
245327 Sedona D32023/3000/20W/80/A50/EM3H	D160xH111mmxØ145mm±1mm	3000	2100	20W	105	50°
245328 Sedona D32023/3500/20W/80/A50/EM3H	D160xH111mmxØ145mm±1mm	3500	2160	20W	108	50°
245329 Sedona D32023/4000/20W/80/A50/EM3H	D160xH111mmxØ145mm±1mm	4000	2200	20W	110	50°
245331 Sedona D32023/2700/27W/80/A50/EM3H	D160xH111mmxØ145mm±1mm	2700	2945	27W	110	50°
245332 Sedona D32023/3000/27W/80/A50/EM3H	D160xH111mmxØ145mm±1mm	3000	2970	27W	110	50°
245333 Sedona D32023/3500/27W/80/A50/EM3H	D160xH111mmxØ145mm±1mm	3500	3055	27W	114	50°
245334 Sedona D32023/4000/27W/80/A50/EM3H	D160xH111mmxØ145mm±1mm	4000	3135	27W	117	50°
245336 Sedona D32023/2700/35W/80/A50/EM3H	D160xH111mmxØ145mm±1mm	2700	3710	35W	106	50°
245337 Sedona D32023/3000/35W/80/A50/EM3H	D160xH111mmxØ145mm±1mm	3000	3745	35W	107	50°
245338 Sedona D32023/3500/35W/80/A50/EM3H	D160xH111mmxØ145mm±1mm	3500	3815	35W	109	50°
245339 Sedona D32023/4000/35W/80/A50/EM3H	D160xH111mmxØ145mm±1mm	4000	3920	35W	112	50°
245341 Sedona D32023/2700/42W/80/A50/EM3H	D160xH111mmxØ145mm±1mm	2700	4200	42W	100	50°
245342 Sedona D32023/3000/42W/80/A50/EM3H	D160xH111mmxØ145mm±1mm	3000	4200	42W	100	50°
245343 Sedona D32023/3500/42W/80/A50/EM3H	D160xH111mmxØ145mm±1mm	3500	4330	42W	103	50°
245344 Sedona D32023/4000/42W/80/A50/EM3H	D160xH111mmxØ145mm±1mm	4000	4455	42W	106	50°
245346 Sedona D32024/2700/14W/80/A45/EM3H	D180xH122mmxØ170mm±1mm	2700	1485	14W	107	45°
245347 Sedona D32024/3000/14W/80/A45/EM3H	D180xH122mmxØ170mm±1mm	3000	1500	14W	108	45°
245348 Sedona D32024/3500/14W/80/A45/EM3H	D180xH122mmxØ170mm±1mm	3500	1540	14W	110	45°
245349 Sedona D32024/4000/14W/80/A45/EM3H	D180xH122mmxØ170mm±1mm	4000	1570	14W	113	45°
245351 Sedona D32024/2700/20W/80/A45/EM3H	D180xH122mmxØ170mm±1mm	2700	2080	20W	104	45°
245352 Sedona D32024/3000/20W/80/A45/EM3H	D180xH122mmxØ170mm±1mm	3000	2100	20W	105	45°
245353 Sedona D32024/3500/20W/80/A45/EM3H	D180xH122mmxØ170mm±1mm	3500	2160	20W	108	45°
245354 Sedona D32024/4000/20W/80/A45/EM3H	D180xH122mmxØ170mm±1mm	4000	2200	20W	110	45°

SKU SPECIFICATIONS

Product Code	Dimensions (mm)	CCT (K)	Lumens (lm)	Power (W)	Eff. (lm/watt)	Lens Angle (°)
<b>CRI 80</b>						
245356 Sedona D32024/2700/27W/80/A45/EM3H	D180xH122mmxØ170mm±1mm	2700	2945	27W	110	45°
245357 Sedona D32024/3000/27W/80/A45/EM3H	D180xH122mmxØ170mm±1mm	3000	2970	27W	110	45°
245358 Sedona D32024/3500/27W/80/A45/EM3H	D180xH122mmxØ170mm±1mm	3500	3055	27W	114	45°
245359 Sedona D32024/4000/27W/80/A45/EM3H	D180xH122mmxØ170mm±1mm	4000	3135	27W	117	45°
245361 Sedona D32024/2700/35W/80/A45/EM3H	D180xH122mmxØ170mm±1mm	2700	3710	35W	106	45°
245362 Sedona D32024/3000/35W/80/A45/EM3H	D180xH122mmxØ170mm±1mm	3000	3745	35W	107	45°
245363 Sedona D32024/3500/35W/80/A45/EM3H	D180xH122mmxØ170mm±1mm	3500	3815	35W	109	45°
245364 Sedona D32024/4000/35W/80/A45/EM3H	D180xH122mmxØ170mm±1mm	4000	3920	35W	112	45°
245366 Sedona D32024/2700/42W/80/A45/EM3H	D180xH122mmxØ170mm±1mm	2700	4200	42W	100	45°
245367 Sedona D32024/3000/42W/80/A45/EM3H	D180xH122mmxØ170mm±1mm	3000	4200	42W	100	45°
245368 Sedona D32024/3500/42W/80/A45/EM3H	D180xH122mmxØ170mm±1mm	3500	4330	42W	103	45°
245369 Sedona D32024/4000/42W/80/A45/EM3H	D180xH122mmxØ170mm±1mm	4000	4455	42W	106	45°
245371 Sedona D32025/2700/14W/80/A50/EM3H	D220xH127mmxØ200mm-210mm±1mm	2700	1485	14W	107	50°
245372 Sedona D32025/3000/14W/80/A50/EM3H	D220xH127mmxØ200mm-210mm±1mm	3000	1500	14W	108	50°
245373 Sedona D32025/3500/14W/80/A50/EM3H	D220xH127mmxØ200mm-210mm±1mm	3500	1540	14W	110	50°
245374 Sedona D32025/4000/14W/80/A50/EM3H	D220xH127mmxØ200mm-210mm±1mm	4000	1570	14W	113	50°
245376 Sedona D32025/2700/20W/80/A50/EM3H	D220xH127mmxØ200mm-210mm±1mm	2700	2080	20W	104	50°
245377 Sedona D32025/3000/20W/80/A50/EM3H	D220xH127mmxØ200mm-210mm±1mm	3000	2100	20W	105	50°
245378 Sedona D32025/3500/20W/80/A50/EM3H	D220xH127mmxØ200mm-210mm±1mm	3500	2160	20W	108	50°
245379 Sedona D32025/4000/20W/80/A50/EM3H	D220xH127mmxØ200mm-210mm±1mm	4000	2200	20W	110	50°
245381 Sedona D32025/2700/27W/80/A50/EM3H	D220xH127mmxØ200mm-210mm±1mm	2700	2945	27W	110	50°
245382 Sedona D32025/3000/27W/80/A50/EM3H	D220xH127mmxØ200mm-210mm±1mm	3000	2970	27W	110	50°
245383 Sedona D32025/3500/27W/80/A50/EM3H	D220xH127mmxØ200mm-210mm±1mm	3500	3055	27W	114	50°
245384 Sedona D32025/4000/27W/80/A50/EM3H	D220xH127mmxØ200mm-210mm±1mm	4000	3135	27W	117	50°
245386 Sedona D32025/2700/35W/80/A50/EM3H	D220xH127mmxØ200mm-210mm±1mm	2700	3710	35W	106	50°
245387 Sedona D32025/3000/35W/80/A50/EM3H	D220xH127mmxØ200mm-210mm±1mm	3000	3745	35W	107	50°
245388 Sedona D32025/3500/35W/80/A50/EM3H	D220xH127mmxØ200mm-210mm±1mm	3500	3815	35W	109	50°
245389 Sedona D32025/4000/35W/80/A50/EM3H	D220xH127mmxØ200mm-210mm±1mm	4000	3920	35W	112	50°
245391 Sedona D32025/2700/42W/80/A50/EM3H	D220xH127mmxØ200mm-210mm±1mm	2700	4200	42W	100	50°
245392 Sedona D32025/3000/42W/80/A50/EM3H	D220xH127mmxØ200mm-210mm±1mm	3000	4200	42W	100	50°
245393 Sedona D32025/3500/42W/80/A50/EM3H	D220xH127mmxØ200mm-210mm±1mm	3500	4330	42W	103	50°
245394 Sedona D32025/4000/42W/80/A50/EM3H	D220xH127mmxØ200mm-210mm±1mm	4000	4455	42W	106	50°

Technical specifications can be modified without prior notice. All information is property of Greentek Lighting. The presentation picture is for information purposes only. Latest document update: November 18, 2019 1:23 PM. [www.greentek.eu](http://www.greentek.eu)