



Lyra S

RECESSED SPOTLIGHTS | NON-DALI SERIES

Lyra is a modern recessed spotlight with built-in flexibility and adjustment options. It comes as an ideal solution for food presentation, fashion stores, showrooms, guest reception spaces or general indoor meeting places where controlling the lighting effect is needed. Lyra luminaires easily blend into the room or shop design while the round diffusor provides wonderful accent lighting.

Lyra comes in two color options: RAL 9003 - signal white and RAL 9005 - jet black, giving it a modern touch.

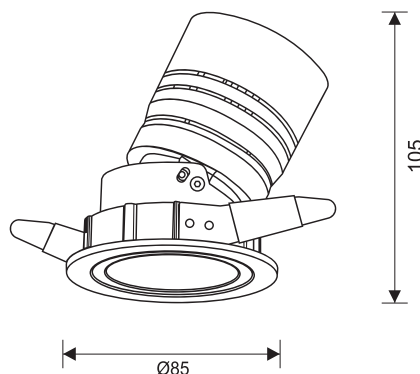
- Lyra S Non-DALI: the standard series
- Lyra S DALI: with DALI controls for illumination adjustments

APPLICATION

Grocery & Supermarkets | Office | Healthcare | Hospitality | Retail | DIY

FEATURES & BENEFITS

- CRI 80 as standard, up to 93 for certain special colors
- 6 color temperatures, including specialized options for hospitality & retail
- Long rated life: L90/B10@50.000h
- Luminaire efficiency: 44lm/w @4000K
- Dimmable (only for DALI Series)



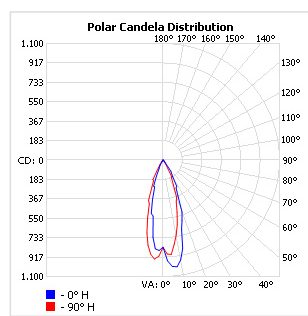
SPECIFICATIONS

Power consumption	12W
Dimensions	Ø85x105±1mm
Weight	0.5 Kg
Housing materials	Aluminium, Glass
IK code	IK02
THD (at 230V, 50Hz, Full load)	<8%
Protection class	Safety class 1
Operating temperature [°C]	-20°C ... +45°C / -4F ... +113F
Operating humidity [%]	10 ÷ 85
Power factor	≥0.95
AC Input [Vac]	220 - 240 VAC
Lens angle [°]	24°, 36°, 40°
Lifespan [h]	50,000
Housing color	○ RAL 9003 - Signal white, ● RAL 9005 - Jet black
Lumen maintenance	L90/B10@50,000h at 25°C
IP factor	IP20
Control optional	-
Warranty [years]	5
Storage temperature range [°C]	-20°C ... +55°C / -4F ... + 131F
Emergency option	-

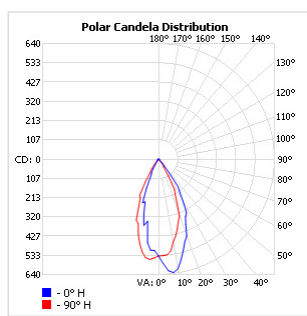
#	Standard	AGI	AMB
CRI	CRI80	CRI93	CRI80
CCT [K]	3000 / 4000	AGI 3000 / 3500 / 4000	2200
MacAdam	3	3	3

CRI - Color rendering, CCT - Color temperature, MacAdam - Color consistency

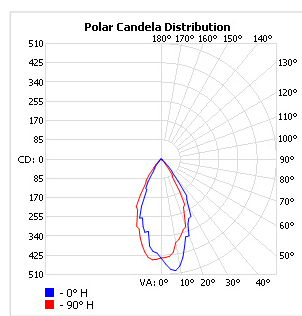
LIGHT DISTRIBUTION



24°



36°



40°

TOLERANCES

Luminous flux tolerances: -/+ 5%

Consumption tolerance: -/+ 5% for Non-DALI | -/+ 10% for Non-DALI & KIT EM | -/+ 10% for DALI | -/+ 15% for DALI & KIT EM

BATTERY WARRANTY

Non-DALI EM & DALI EM: 12 months warranty

Non-DALI & DALI: -

MAXIMUM NO. OF LUMINAIRES ON A CIRCUIT

Luminaire Power(W)	Control type	Circuit Breaker Type					
		B			C		
		20	16	10	20	16	10
8-20W	Non-DALI	62	50	31	104	85	52
23-35W	Non-DALI	24	20	10	47	40	20
42W	Non-DALI	20	16	8	38	32	16
8-20W	DALI	62	50	31	104	85	52
23-27W	DALI	25	21	13	50	42	26
34-42W	DALI	17	14	9	34	28	18

RISK GROUP

Standard (CRI80)	RG1
FOOD (BVF, FBS, FSM)	RG1
FOOD ≤35W (FZM, FSH)	RG1
FOOD >35W (FZM, FSH)	RG2
FAS	RG1
AMB2200	RG1
ART	RG1
AGI	RG1
CRI90	RG1
CRI95	RG1
ENT	RG1

RG1

The evaluation of photobiological safety is carried out according to the standard IEC 62471:2008 ("Photobiological safety of lamps and lamp systems"). Following the definition of the risk grouping system of the mentioned IEC standard, the LEDs mounted on this family fall into the class "Low Risk (RG1 – No photobiological hazard under normal behavioral limitations)". Under real circumstances (regarding exposure time, pupils, observation distance), it is assumed that there is no endangerment to the eye from these devices. As a matter of principle, however, it should be mentioned that intense light sources have a high secondary exposure potential due to their blinding effect.

RG2

The evaluation of photobiological safety is carried out according to the standard IEC 62471:2008 ("Photobiological safety of lamps and lamp systems"). Following the definition of the risk grouping system of the mentioned IEC standard, the LEDs mounted on this family fall into the class "Moderate Risk (RG2)". Under real circumstances (regarding exposure time, pupils, observation distance), it is assumed that there is no endangerment to the eye from these devices. As a matter of principle, however, it should be mentioned that intense light sources have a high secondary exposure potential due to their blinding effect.

SKU SPECIFICATIONS

Product Code	Dimensions (mm)	CCT (K)	Lumens (lm)	Power (W)	Eff. (lm/watt)	Lens Angle (°)
CRI 80						
1A6000 LyraS D34051/3000/12W/80/A24	Ø85x105±1mm	3000	545	12W	46	24°
1A6001 LyraS D34051/4000/12W/80/A24	Ø85x105±1mm	4000	525	12W	44	24°
1A6002 LyraS D34051/3000/12W/80/A36	Ø85x105±1mm	3000	545	12W	46	36°
1A6003 LyraS D34051/4000/12W/80/A36	Ø85x105±1mm	4000	525	12W	44	36°
1A6004 LyraS D34051/3000/12W/80/A40	Ø85x105±1mm	3000	545	12W	46	40°
1A6005 LyraS D34051/4000/12W/80/A40	Ø85x105±1mm	4000	525	12W	44	40°
1A6006 LyraS D34051/AMB2200/12W/80/A24	Ø85x105±1mm	AMB2200	450	12W	38	24°
1A6007 LyraS D34051/AMB2200/12W/80/A36	Ø85x105±1mm	AMB2200	450	12W	38	36°
1A6008 LyraS D34051/AMB2200/12W/80/A40	Ø85x105±1mm	AMB2200	450	12W	38	40°
CRI 93						
1A6009 LyraS D34051/AGI3000/12W/93/A24	Ø85x105±1mm	AGI3000	325	12W	28	24°
1A6010 LyraS D34051/AGI3500/12W/93/A24	Ø85x105±1mm	AGI3500	345	12W	29	24°
1A6011 LyraS D34051/AGI4000/12W/93/A24	Ø85x105±1mm	AGI4000	370	12W	31	24°
1A6012 LyraS D34051/AGI3000/12W/93/A36	Ø85x105±1mm	AGI3000	325	12W	28	36°
1A6013 LyraS D34051/AGI3500/12W/93/A36	Ø85x105±1mm	AGI3500	345	12W	29	36°
1A6014 LyraS D34051/AGI4000/12W/93/A36	Ø85x105±1mm	AGI4000	370	12W	31	36°
1A6015 LyraS D34051/AGI3000/12W/93/A40	Ø85x105±1mm	AGI3000	325	12W	28	40°
1A6016 LyraS D34051/AGI3500/12W/93/A40	Ø85x105±1mm	AGI3500	345	12W	29	40°
1A6017 LyraS D34051/AGI4000/12W/93/A40	Ø85x105±1mm	AGI4000	370	12W	31	40°

Technical specifications can be modified without prior notice. All information is property of Greentek Lighting.

The presentation picture is for information purposes only. Latest document update: November 13, 2019 4:04 PM. www.greentek.eu