

# Lenyk Slim E TRK

## Trunking System



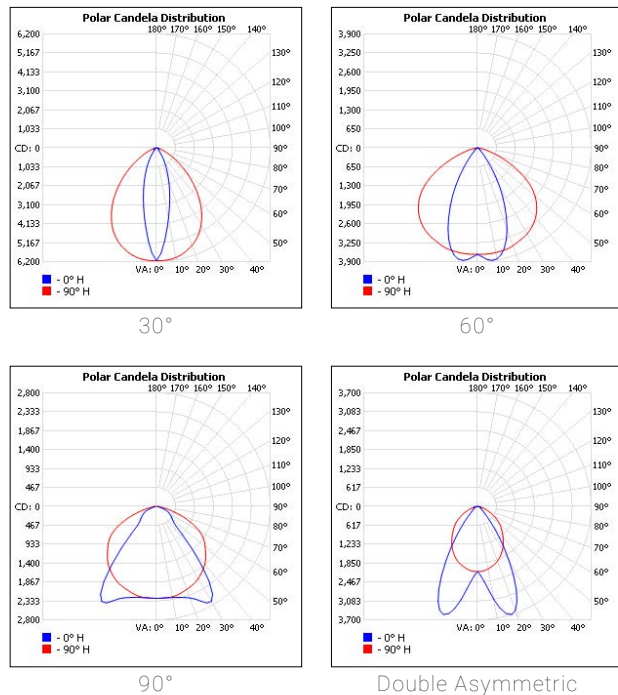
### FEATURES & BENEFITS

- Form factors: 30cm, 60cm, 90cm, 120cm, 150cm
- Three temperatures: 3000K, 4000K and 5000K
- Wide range of lens angle: 30°, 60°, 90° and Double Asymmetric
- Color rendering index: 80
- Efficiency @5000K: 140 lm/W

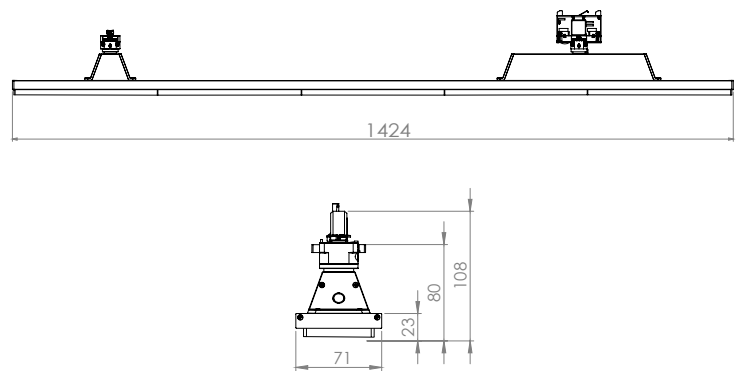
### APPLICATIONS

Grocery & Supermarkets | Retail | Office | Healthcare | Industrial & Logistics | Hospitality | DIY

### LIGHT DISTRIBUTION



### TECHNICAL DRAW



## SPECIFICATIONS

Power	14W, 18W, 21W	27W, 34W, 41W	39W, 49W, 59W	54W, 67W, 81W	66W, 84W, 100W
Dimensions	300x71x108mm±1mm	580x71x108mm±1mm	862x71x108mm±1mm	1144x71x108mm±1mm	1424x71x108mm±1mm
Color Rendering	CRI80				
Housing materials	Aluminium, polycarbonate				
IK Code	IK04				
THD	<20%				
Protection Class	Safety class 1				
Operating temperature (°C)	-20°C...+55°C/-4F...+131F				
Operating humidity (%)	10 ÷ 85				
Power factor	≥0.95				
AC Input	220-240 Vac				
Color temperature	3000K, 4000K, 5000K				
Lens angle (°)	30°, 60°, 90°, DA				
Lifespan (h)	50000				
Housing color	Anodised grey, Anodised black				
Color consistency	MacAdam 4				
Lumen maintenance	L80/B20@50.000h at 25°C				
IP Rating	IP20				
Control option	-				
Warranty (years)	5 years				
Storage Temperature Range (°C)	-25°C...+55°C/-13F...+131F				
Efficiency @4000K	140 lm/W				
Luminous flux tolerance	+/- 5%				
Consumption tolerance	-/+ 5%				
Risk group	<p>RG0</p> <p>The evaluation of photobiological safety is carried out according to the standard IEC 62471:2008 ("Photobiological safety of lamps and lamp systems"). Following the definition of the risk grouping system of the mentioned IEC standard, the LEDs mounted on this family fall into the class "Exempt (RG0 – No photobiological hazard)". Under real circumstances (regarding exposure time, pupils, observation distance), it is assumed that there is no endangerment to the eye from these devices. As a matter of principle, however, it should be mentioned that intense light sources have a high secondary exposure potential due to their blinding effect.</p>				

## MAXIMUM NO. OF LUMINAIRES ON A CIRCUIT

Luminaire Length	Control type	Circuit Breaker Type					
		B			C		
		20	16	10	20	16	10
30cm SR2R	Non-DALI	116	93	58	116	93	58
60cm SR2R	Non-DALI	58	47	29	58	47	29
90cm SR2R	Non-DALI	45	36	22	45	36	22
120cm SR2R	Non-DALI	29	23	14	29	23	14
150cm SR2R	Non-DALI	22	18	11	22	18	11

## SKU SPECIFICATIONS

Article Number	Dimensions (mm)	CCT (K)	Lumens (lm)	Power (W)	Efficiency (lm/watt)	Lens angle (degrees)	Weight (kg)
1E2180 Lenyk Slim E SR2R TRK30/3000/14W/80/TB	300x71x108mm±1mm	3000	1705	14W	122	30	0.8 Kg
1E2181 Lenyk Slim E SR2R TRK30/4000/14W/80/TB	300x71x108mm±1mm	4000	1800	14W	129	30	0.8 Kg
1E2182 Lenyk Slim E SR2R TRK30/5000/14W/80/TB	300x71x108mm±1mm	5000	1825	14W	131	30	0.8 Kg
1E2183 Lenyk Slim E SR2R TRK30/3000/14W/80/NB	300x71x108mm±1mm	3000	1725	14W	124	60	0.8 Kg
1E2184 Lenyk Slim E SR2R TRK30/4000/14W/80/NB	300x71x108mm±1mm	4000	1820	14W	130	60	0.8 Kg
1E2185 Lenyk Slim E SR2R TRK30/5000/14W/80/NB	300x71x108mm±1mm	5000	1845	14W	132	60	0.8 Kg
1E2186 Lenyk Slim E SR2R TRK30/3000/14W/80/WB	300x71x108mm±1mm	3000	1725	14W	124	90	0.8 Kg
1E2187 Lenyk Slim E SR2R TRK30/4000/14W/80/WB	300x71x108mm±1mm	4000	1820	14W	130	90	0.8 Kg
1E2188 Lenyk Slim E SR2R TRK30/5000/14W/80/WB	300x71x108mm±1mm	5000	1845	14W	132	90	0.8 Kg
1E2189 Lenyk Slim E SR2R TRK30/3000/14W/80/DA	300x71x108mm±1mm	3000	1705	14W	122	DA	0.8 Kg
1E2190 Lenyk Slim E SR2R TRK30/4000/14W/80/DA	300x71x108mm±1mm	4000	1795	14W	129	DA	0.8 Kg
1E2191 Lenyk Slim E SR2R TRK30/5000/14W/80/DA	300x71x108mm±1mm	5000	1820	14W	130	DA	0.8 Kg
1E2192 Lenyk Slim E SR2R TRK30/3000/18W/80/TB	300x71x108mm±1mm	3000	2065	18W	115	30	0.8 Kg
1E2193 Lenyk Slim E SR2R TRK30/4000/18W/80/TB	300x71x108mm±1mm	4000	2175	18W	121	30	0.8 Kg
1E2194 Lenyk Slim E SR2R TRK30/5000/18W/80/TB	300x71x108mm±1mm	5000	2210	18W	123	30	0.8 Kg
1E2195 Lenyk Slim E SR2R TRK30/3000/18W/80/NB	300x71x108mm±1mm	3000	2085	18W	116	60	0.8 Kg
1E2196 Lenyk Slim E SR2R TRK30/4000/18W/80/NB	300x71x108mm±1mm	4000	2200	18W	123	60	0.8 Kg
1E2197 Lenyk Slim E SR2R TRK30/5000/18W/80/NB	300x71x108mm±1mm	5000	2235	18W	125	60	0.8 Kg
1E2198 Lenyk Slim E SR2R TRK30/3000/18W/80/WB	300x71x108mm±1mm	3000	2085	18W	116	90	0.8 Kg
1E2199 Lenyk Slim E SR2R TRK30/4000/18W/80/WB	300x71x108mm±1mm	4000	2200	18W	123	90	0.8 Kg
1E2200 Lenyk Slim E SR2R TRK30/5000/18W/80/WB	300x71x108mm±1mm	5000	2235	18W	125	90	0.8 Kg
1E2201 Lenyk Slim E SR2R TRK30/3000/18W/80/DA	300x71x108mm±1mm	3000	2060	18W	115	DA	0.8 Kg
1E2202 Lenyk Slim E SR2R TRK30/4000/18W/80/DA	300x71x108mm±1mm	4000	2170	18W	121	DA	0.8 Kg
1E2203 Lenyk Slim E SR2R TRK30/5000/18W/80/DA	300x71x108mm±1mm	5000	2205	18W	123	DA	0.8 Kg
1E2204 Lenyk Slim E SR2R TRK30/3000/21W/80/TB	300x71x108mm±1mm	3000	2390	21W	114	30	0.8 Kg
1E2205 Lenyk Slim E SR2R TRK30/4000/21W/80/TB	300x71x108mm±1mm	4000	2520	21W	120	30	0.8 Kg
1E2206 Lenyk Slim E SR2R TRK30/5000/21W/80/TB	300x71x108mm±1mm	5000	2560	21W	122	30	0.8 Kg
1E2207 Lenyk Slim E SR2R TRK30/3000/21W/80/NB	300x71x108mm±1mm	3000	2420	21W	116	60	0.8 Kg
1E2208 Lenyk Slim E SR2R TRK30/4000/21W/80/NB	300x71x108mm±1mm	4000	2550	21W	122	60	0.8 Kg
1E2209 Lenyk Slim E SR2R TRK30/5000/21W/80/NB	300x71x108mm±1mm	5000	2585	21W	124	60	0.8 Kg
1E2210 Lenyk Slim E SR2R TRK30/3000/21W/80/WB	300x71x108mm±1mm	3000	2420	21W	116	90	0.8 Kg
1E2211 Lenyk Slim E SR2R TRK30/4000/21W/80/WB	300x71x108mm±1mm	4000	2550	21W	122	90	0.8 Kg
1E2212 Lenyk Slim E SR2R TRK30/5000/21W/80/WB	300x71x108mm±1mm	5000	2585	21W	124	90	0.8 Kg
1E2213 Lenyk Slim E SR2R TRK30/3000/21W/80/DA	300x71x108mm±1mm	3000	2385	21W	114	DA	0.8 Kg
1E2214 Lenyk Slim E SR2R TRK30/4000/21W/80/DA	300x71x108mm±1mm	4000	2515	21W	120	DA	0.8 Kg
1E2215 Lenyk Slim E SR2R TRK30/5000/21W/80/DA	300x71x108mm±1mm	5000	2555	21W	122	DA	0.8 Kg
1E2216 Lenyk Slim E SR2R TRK60/3000/27W/80/TB	580x71x108mm±1mm	3000	3375	27W	125	30	1.3 Kg
1E2217 Lenyk Slim E SR2R TRK60/4000/27W/80/TB	580x71x108mm±1mm	4000	3560	27W	132	30	1.3 Kg
1E2218 Lenyk Slim E SR2R TRK60/5000/27W/80/TB	580x71x108mm±1mm	5000	3615	27W	134	30	1.3 Kg
1E2219 Lenyk Slim E SR2R TRK60/3000/27W/80/NB	580x71x108mm±1mm	3000	3415	27W	127	60	1.3 Kg
1E2220 Lenyk Slim E SR2R TRK60/4000/27W/80/NB	580x71x108mm±1mm	4000	3600	27W	134	60	1.3 Kg
1E2221 Lenyk Slim E SR2R TRK60/5000/27W/80/NB	580x71x108mm±1mm	5000	3655	27W	136	60	1.3 Kg
1E2222 Lenyk Slim E SR2R TRK60/3000/27W/80/WB	580x71x108mm±1mm	3000	3415	27W	127	90	1.3 Kg
1E2223 Lenyk Slim E SR2R TRK60/4000/27W/80/WB	580x71x108mm±1mm	4000	3600	27W	134	90	1.3 Kg
1E2224 Lenyk Slim E SR2R TRK60/5000/27W/80/WB	580x71x108mm±1mm	5000	3655	27W	136	90	1.3 Kg
1E2225 Lenyk Slim E SR2R TRK60/3000/27W/80/DA	580x71x108mm±1mm	3000	3370	27W	125	DA	1.3 Kg
1E2226 Lenyk Slim E SR2R TRK60/4000/27W/80/DA	580x71x108mm±1mm	4000	3555	27W	132	DA	1.3 Kg

Article Number	Dimensions (mm)	CCT (K)	Lumens (lm)	Power (W)	Efficiency (lm/watt)	Lens angle (degrees)	Weight (kg)
1E2227 Lenyk Slim E SR2R TRK60/5000/27W/80/DA	580x71x108mm±1mm	5000	3605	27W	134	DA	1.3 Kg
1E2228 Lenyk Slim E SR2R TRK60/3000/34W/80/TB	580x71x108mm±1mm	3000	4070	34W	120	30	1.3 Kg
1E2229 Lenyk Slim E SR2R TRK60/4000/34W/80/TB	580x71x108mm±1mm	4000	4295	34W	127	30	1.3 Kg
1E2230 Lenyk Slim E SR2R TRK60/5000/34W/80/TB	580x71x108mm±1mm	5000	4355	34W	129	30	1.3 Kg
1E2231 Lenyk Slim E SR2R TRK60/3000/34W/80/NB	580x71x108mm±1mm	3000	4115	34W	122	60	1.3 Kg
1E2232 Lenyk Slim E SR2R TRK60/4000/34W/80/NB	580x71x108mm±1mm	4000	4340	34W	128	60	1.3 Kg
1E2233 Lenyk Slim E SR2R TRK60/5000/34W/80/NB	580x71x108mm±1mm	5000	4405	34W	130	60	1.3 Kg
1E2234 Lenyk Slim E SR2R TRK60/3000/34W/80/WB	580x71x108mm±1mm	3000	4115	34W	122	90	1.3 Kg
1E2235 Lenyk Slim E SR2R TRK60/4000/34W/80/WB	580x71x108mm±1mm	4000	4340	34W	128	90	1.3 Kg
1E2236 Lenyk Slim E SR2R TRK60/5000/34W/80/WB	580x71x108mm±1mm	5000	4405	34W	130	90	1.3 Kg
1E2237 Lenyk Slim E SR2R TRK60/3000/34W/80/DA	580x71x108mm±1mm	3000	4065	34W	120	DA	1.3 Kg
1E2238 Lenyk Slim E SR2R TRK60/4000/34W/80/DA	580x71x108mm±1mm	4000	4285	34W	127	DA	1.3 Kg
1E2239 Lenyk Slim E SR2R TRK60/5000/34W/80/DA	580x71x108mm±1mm	5000	4350	34W	128	DA	1.3 Kg
1E2240 Lenyk Slim E SR2R TRK60/3000/41W/80/TB	580x71x108mm±1mm	3000	4755	41W	116	30	1.3 Kg
1E2241 Lenyk Slim E SR2R TRK60/4000/41W/80/TB	580x71x108mm±1mm	4000	5010	41W	123	30	1.3 Kg
1E2242 Lenyk Slim E SR2R TRK60/5000/41W/80/TB	580x71x108mm±1mm	5000	5085	41W	125	30	1.3 Kg
1E2243 Lenyk Slim E SR2R TRK60/3000/41W/80/NB	580x71x108mm±1mm	3000	4805	41W	118	60	1.3 Kg
1E2244 Lenyk Slim E SR2R TRK60/4000/41W/80/NB	580x71x108mm±1mm	4000	5070	41W	124	60	1.3 Kg
1E2245 Lenyk Slim E SR2R TRK60/5000/41W/80/NB	580x71x108mm±1mm	5000	5145	41W	126	60	1.3 Kg
1E2246 Lenyk Slim E SR2R TRK60/3000/41W/80/WB	580x71x108mm±1mm	3000	4805	41W	118	90	1.3 Kg
1E2247 Lenyk Slim E SR2R TRK60/4000/41W/80/WB	580x71x108mm±1mm	4000	5070	41W	124	90	1.3 Kg
1E2248 Lenyk Slim E SR2R TRK60/5000/41W/80/WB	580x71x108mm±1mm	5000	5145	41W	126	90	1.3 Kg
1E2249 Lenyk Slim E SR2R TRK60/3000/41W/80/DA	580x71x108mm±1mm	3000	4745	41W	116	DA	1.3 Kg
1E2250 Lenyk Slim E SR2R TRK60/4000/41W/80/DA	580x71x108mm±1mm	4000	5000	41W	122	DA	1.3 Kg
1E2251 Lenyk Slim E SR2R TRK60/5000/41W/80/DA	580x71x108mm±1mm	5000	5075	41W	124	DA	1.3 Kg
1E2252 Lenyk Slim E SR2R TRK90/3000/39W/80/TB	862x71x108mm±1mm	3000	4960	39W	128	30	1.6 Kg
1E2253 Lenyk Slim E SR2R TRK90/4000/39W/80/TB	862x71x108mm±1mm	4000	5230	39W	135	30	1.6 Kg
1E2254 Lenyk Slim E SR2R TRK90/5000/39W/80/TB	862x71x108mm±1mm	5000	5310	39W	137	30	1.6 Kg
1E2255 Lenyk Slim E SR2R TRK90/3000/39W/80/NB	862x71x108mm±1mm	3000	5015	39W	129	60	1.6 Kg
1E2256 Lenyk Slim E SR2R TRK90/4000/39W/80/NB	862x71x108mm±1mm	4000	5290	39W	136	60	1.6 Kg
1E2257 Lenyk Slim E SR2R TRK90/5000/39W/80/NB	862x71x108mm±1mm	5000	5365	39W	138	60	1.6 Kg
1E2258 Lenyk Slim E SR2R TRK90/3000/39W/80/WB	862x71x108mm±1mm	3000	5015	39W	129	90	1.6 Kg
1E2259 Lenyk Slim E SR2R TRK90/4000/39W/80/WB	862x71x108mm±1mm	4000	5290	39W	136	90	1.6 Kg
1E2260 Lenyk Slim E SR2R TRK90/5000/39W/80/WB	862x71x108mm±1mm	5000	5365	39W	138	90	1.6 Kg
1E2261 Lenyk Slim E SR2R TRK90/3000/39W/80/DA	862x71x108mm±1mm	3000	4950	39W	127	DA	1.6 Kg
1E2262 Lenyk Slim E SR2R TRK90/4000/39W/80/DA	862x71x108mm±1mm	4000	5220	39W	134	DA	1.6 Kg
1E2263 Lenyk Slim E SR2R TRK90/5000/39W/80/DA	862x71x108mm±1mm	5000	5300	39W	136	DA	1.6 Kg
1E2264 Lenyk Slim E SR2R TRK90/3000/49W/80/TB	862x71x108mm±1mm	3000	6055	49W	124	30	1.6 Kg
1E2265 Lenyk Slim E SR2R TRK90/4000/49W/80/TB	862x71x108mm±1mm	4000	6385	49W	131	30	1.6 Kg
1E2266 Lenyk Slim E SR2R TRK90/5000/49W/80/TB	862x71x108mm±1mm	5000	6480	49W	133	30	1.6 Kg
1E2267 Lenyk Slim E SR2R TRK90/3000/49W/80/NB	862x71x108mm±1mm	3000	6125	49W	125	60	1.6 Kg
1E2268 Lenyk Slim E SR2R TRK90/4000/49W/80/NB	862x71x108mm±1mm	4000	6455	49W	132	60	1.6 Kg
1E2269 Lenyk Slim E SR2R TRK90/5000/49W/80/NB	862x71x108mm±1mm	5000	6550	49W	134	60	1.6 Kg
1E2270 Lenyk Slim E SR2R TRK90/3000/49W/80/WB	862x71x108mm±1mm	3000	6125	49W	125	90	1.6 Kg
1E2271 Lenyk Slim E SR2R TRK90/4000/49W/80/WB	862x71x108mm±1mm	4000	6455	49W	132	90	1.6 Kg
1E2272 Lenyk Slim E SR2R TRK90/5000/49W/80/WB	862x71x108mm±1mm	5000	6550	49W	134	90	1.6 Kg
1E2273 Lenyk Slim E SR2R TRK90/3000/49W/80/DA	862x71x108mm±1mm	3000	6045	49W	124	DA	1.6 Kg

Article Number	Dimensions (mm)	CCT (K)	Lumens (lm)	Power (W)	Efficiency (lm/watt)	Lens angle (degrees)	Weight (kg)
1E2274 Lenyk Slim E SR2R TRK90/4000/49W/80/DA	862x71x108mm±1mm	4000	6375	49W	131	DA	1.6 Kg
1E2275 Lenyk Slim E SR2R TRK90/5000/49W/80/DA	862x71x108mm±1mm	5000	6465	49W	132	DA	1.6 Kg
1E2276 Lenyk Slim E SR2R TRK90/3000/59W/80/TB	862x71x108mm±1mm	3000	7000	59W	119	30	1.6 Kg
1E2277 Lenyk Slim E SR2R TRK90/4000/59W/80/TB	862x71x108mm±1mm	4000	7380	59W	126	30	1.6 Kg
1E2278 Lenyk Slim E SR2R TRK90/5000/59W/80/TB	862x71x108mm±1mm	5000	7490	59W	127	30	1.6 Kg
1E2279 Lenyk Slim E SR2R TRK90/3000/59W/80/NB	862x71x108mm±1mm	3000	7080	59W	120	60	1.6 Kg
1E2280 Lenyk Slim E SR2R TRK90/4000/59W/80/NB	862x71x108mm±1mm	4000	7465	59W	127	60	1.6 Kg
1E2281 Lenyk Slim E SR2R TRK90/5000/59W/80/NB	862x71x108mm±1mm	5000	7575	59W	129	60	1.6 Kg
1E2282 Lenyk Slim E SR2R TRK90/3000/59W/80/WB	862x71x108mm±1mm	3000	7080	59W	120	90	1.6 Kg
1E2283 Lenyk Slim E SR2R TRK90/4000/59W/80/WB	862x71x108mm±1mm	4000	7465	59W	127	90	1.6 Kg
1E2284 Lenyk Slim E SR2R TRK90/5000/59W/80/WB	862x71x108mm±1mm	5000	7575	59W	129	90	1.6 Kg
1E2285 Lenyk Slim E SR2R TRK90/3000/59W/80/DA	862x71x108mm±1mm	3000	6985	59W	119	DA	1.6 Kg
1E2286 Lenyk Slim E SR2R TRK90/4000/59W/80/DA	862x71x108mm±1mm	4000	7365	59W	125	DA	1.6 Kg
1E2287 Lenyk Slim E SR2R TRK90/5000/59W/80/DA	862x71x108mm±1mm	5000	7475	59W	127	DA	1.6 Kg
1E2288 Lenyk Slim E SR2R TRK120/3000/54W/80/TB	1144x71x108mm±1mm	3000	6825	54W	127	30	2.4 Kg
1E2289 Lenyk Slim E SR2R TRK120/4000/54W/80/TB	1144x71x108mm±1mm	4000	7195	54W	134	30	2.4 Kg
1E2290 Lenyk Slim E SR2R TRK120/5000/54W/80/TB	1144x71x108mm±1mm	5000	7305	54W	136	30	2.4 Kg
1E2291 Lenyk Slim E SR2R TRK120/3000/54W/80/NB	1144x71x108mm±1mm	3000	6900	54W	128	60	2.4 Kg
1E2292 Lenyk Slim E SR2R TRK120/4000/54W/80/NB	1144x71x108mm±1mm	4000	7275	54W	135	60	2.4 Kg
1E2293 Lenyk Slim E SR2R TRK120/5000/54W/80/NB	1144x71x108mm±1mm	5000	7385	54W	137	60	2.4 Kg
1E2294 Lenyk Slim E SR2R TRK120/3000/54W/80/WB	1144x71x108mm±1mm	3000	6900	54W	128	90	2.4 Kg
1E2295 Lenyk Slim E SR2R TRK120/4000/54W/80/WB	1144x71x108mm±1mm	4000	7275	54W	135	90	2.4 Kg
1E2296 Lenyk Slim E SR2R TRK120/5000/54W/80/WB	1144x71x108mm±1mm	5000	7385	54W	137	90	2.4 Kg
1E2297 Lenyk Slim E SR2R TRK120/3000/54W/80/DA	1144x71x108mm±1mm	3000	6815	54W	127	DA	2.4 Kg
1E2298 Lenyk Slim E SR2R TRK120/4000/54W/80/DA	1144x71x108mm±1mm	4000	7180	54W	133	DA	2.4 Kg
1E2299 Lenyk Slim E SR2R TRK120/5000/54W/80/DA	1144x71x108mm±1mm	5000	7290	54W	135	DA	2.4 Kg
1E2300 Lenyk Slim E SR2R TRK120/3000/67W/80/TB	1144x71x108mm±1mm	3000	8210	67W	123	30	2.4 Kg
1E2301 Lenyk Slim E SR2R TRK120/4000/67W/80/TB	1144x71x108mm±1mm	4000	8655	67W	130	30	2.4 Kg
1E2302 Lenyk Slim E SR2R TRK120/5000/67W/80/TB	1144x71x108mm±1mm	5000	8785	67W	132	30	2.4 Kg
1E2303 Lenyk Slim E SR2R TRK120/3000/67W/80/NB	1144x71x108mm±1mm	3000	8300	67W	124	60	2.4 Kg
1E2304 Lenyk Slim E SR2R TRK120/4000/67W/80/NB	1144x71x108mm±1mm	4000	8755	67W	131	60	2.4 Kg
1E2305 Lenyk Slim E SR2R TRK120/5000/67W/80/NB	1144x71x108mm±1mm	5000	8880	67W	133	60	2.4 Kg
1E2306 Lenyk Slim E SR2R TRK120/3000/67W/80/WB	1144x71x108mm±1mm	3000	8300	67W	124	90	2.4 Kg
1E2307 Lenyk Slim E SR2R TRK120/4000/67W/80/WB	1144x71x108mm±1mm	4000	8755	67W	131	90	2.4 Kg
1E2308 Lenyk Slim E SR2R TRK120/5000/67W/80/WB	1144x71x108mm±1mm	5000	8880	67W	133	90	2.4 Kg
1E2309 Lenyk Slim E SR2R TRK120/3000/67W/80/DA	1144x71x108mm±1mm	3000	8195	67W	123	DA	2.4 Kg
1E2310 Lenyk Slim E SR2R TRK120/4000/67W/80/DA	1144x71x108mm±1mm	4000	8640	67W	129	DA	2.4 Kg
1E2311 Lenyk Slim E SR2R TRK120/5000/67W/80/DA	1144x71x108mm±1mm	5000	8765	67W	131	DA	2.4 Kg
1E2312 Lenyk Slim E SR2R TRK120/3000/81W/80/TB	1144x71x108mm±1mm	3000	9580	81W	119	30	2.4 Kg
1E2313 Lenyk Slim E SR2R TRK120/4000/81W/80/TB	1144x71x108mm±1mm	4000	10100	81W	125	30	2.4 Kg
1E2314 Lenyk Slim E SR2R TRK120/5000/81W/80/TB	1144x71x108mm±1mm	5000	10245	81W	127	30	2.4 Kg
1E2315 Lenyk Slim E SR2R TRK120/3000/81W/80/NB	1144x71x108mm±1mm	3000	9685	81W	120	60	2.4 Kg
1E2316 Lenyk Slim E SR2R TRK120/4000/81W/80/NB	1144x71x108mm±1mm	4000	10210	81W	127	60	2.4 Kg
1E2317 Lenyk Slim E SR2R TRK120/5000/81W/80/NB	1144x71x108mm±1mm	5000	10360	81W	128	60	2.4 Kg
1E2318 Lenyk Slim E SR2R TRK120/3000/81W/80/WB	1144x71x108mm±1mm	3000	9685	81W	120	90	2.4 Kg
1E2319 Lenyk Slim E SR2R TRK120/4000/81W/80/WB	1144x71x108mm±1mm	4000	10210	81W	127	90	2.4 Kg
1E2320 Lenyk Slim E SR2R TRK120/5000/81W/80/WB	1144x71x108mm±1mm	5000	10360	81W	128	90	2.4 Kg

Article Number	Dimensions (mm)	CCT (K)	Lumens (lm)	Power (W)	Efficiency (lm/watt)	Lens angle (degrees)	Weight (kg)
1E2321 Lenyk Slim E SR2R TRK120/3000/81W/80/DA	1144x71x108mm±1mm	3000	9560	81W	119	DA	2.4 Kg
1E2322 Lenyk Slim E SR2R TRK120/4000/81W/80/DA	1144x71x108mm±1mm	4000	10075	81W	125	DA	2.4 Kg
1E2323 Lenyk Slim E SR2R TRK120/5000/81W/80/DA	1144x71x108mm±1mm	5000	10225	81W	127	DA	2.4 Kg
1E2324 Lenyk Slim E SR2R TRK150/3000/66W/80/TB	1424x71x108mm±1mm	3000	8505	66W	129	30	2.8 Kg
1E2325 Lenyk Slim E SR2R TRK150/4000/66W/80/TB	1424x71x108mm±1mm	4000	8965	66W	136	30	2.8 Kg
1E2326 Lenyk Slim E SR2R TRK150/5000/66W/80/TB	1424x71x108mm±1mm	5000	9095	66W	138	30	2.8 Kg
1E2327 Lenyk Slim E SR2R TRK150/3000/66W/80/NB	1424x71x108mm±1mm	3000	8575	66W	130	60	2.8 Kg
1E2328 Lenyk Slim E SR2R TRK150/4000/66W/80/NB	1424x71x108mm±1mm	4000	9045	66W	138	60	2.8 Kg
1E2329 Lenyk Slim E SR2R TRK150/5000/66W/80/NB	1424x71x108mm±1mm	5000	9175	66W	140	60	2.8 Kg
1E2330 Lenyk Slim E SR2R TRK150/3000/66W/80/WB	1424x71x108mm±1mm	3000	8600	66W	131	90	2.8 Kg
1E2331 Lenyk Slim E SR2R TRK150/4000/66W/80/WB	1424x71x108mm±1mm	4000	9065	66W	138	90	2.8 Kg
1E2332 Lenyk Slim E SR2R TRK150/5000/66W/80/WB	1424x71x108mm±1mm	5000	9200	66W	140	90	2.8 Kg
1E2333 Lenyk Slim E SR2R TRK150/3000/66W/80/DA	1424x71x108mm±1mm	3000	8490	66W	129	DA	2.8 Kg
1E2334 Lenyk Slim E SR2R TRK150/4000/66W/80/DA	1424x71x108mm±1mm	4000	8950	66W	136	DA	2.8 Kg
1E2335 Lenyk Slim E SR2R TRK150/5000/66W/80/DA	1424x71x108mm±1mm	5000	9080	66W	138	DA	2.8 Kg
1E2336 Lenyk Slim E SR2R TRK150/3000/84W/80/TB	1424x71x108mm±1mm	3000	10325	84W	123	30	2.8 Kg
1E2337 Lenyk Slim E SR2R TRK150/4000/84W/80/TB	1424x71x108mm±1mm	4000	10885	84W	130	30	2.8 Kg
1E2338 Lenyk Slim E SR2R TRK150/5000/84W/80/TB	1424x71x108mm±1mm	5000	11045	84W	132	30	2.8 Kg
1E2339 Lenyk Slim E SR2R TRK150/3000/84W/80/NB	1424x71x108mm±1mm	3000	10435	84W	125	60	2.8 Kg
1E2340 Lenyk Slim E SR2R TRK150/4000/84W/80/NB	1424x71x108mm±1mm	4000	11000	84W	131	60	2.8 Kg
1E2341 Lenyk Slim E SR2R TRK150/5000/84W/80/NB	1424x71x108mm±1mm	5000	11160	84W	133	60	2.8 Kg
1E2342 Lenyk Slim E SR2R TRK150/3000/84W/80/WB	1424x71x108mm±1mm	3000	10430	84W	125	90	2.8 Kg
1E2343 Lenyk Slim E SR2R TRK150/4000/84W/80/WB	1424x71x108mm±1mm	4000	11000	84W	131	90	2.8 Kg
1E2344 Lenyk Slim E SR2R TRK150/5000/84W/80/WB	1424x71x108mm±1mm	5000	11160	84W	133	90	2.8 Kg
1E2345 Lenyk Slim E SR2R TRK150/3000/84W/80/DA	1424x71x108mm±1mm	3000	10300	84W	123	DA	2.8 Kg
1E2346 Lenyk Slim E SR2R TRK150/4000/84W/80/DA	1424x71x108mm±1mm	4000	10860	84W	130	DA	2.8 Kg
1E2347 Lenyk Slim E SR2R TRK150/5000/84W/80/DA	1424x71x108mm±1mm	5000	11020	84W	132	DA	2.8 Kg
1E2348 Lenyk Slim E SR2R TRK150/3000/100W/80/TB	1424x71x108mm±1mm	3000	11850	100W	119	30	2.8 Kg
1E2349 Lenyk Slim E SR2R TRK150/4000/100W/80/TB	1424x71x108mm±1mm	4000	12495	100W	125	30	2.8 Kg
1E2350 Lenyk Slim E SR2R TRK150/5000/100W/80/TB	1424x71x108mm±1mm	5000	12680	100W	127	30	2.8 Kg
1E2351 Lenyk Slim E SR2R TRK150/3000/100W/80/NB	1424x71x108mm±1mm	3000	11975	100W	120	60	2.8 Kg
1E2352 Lenyk Slim E SR2R TRK150/4000/100W/80/NB	1424x71x108mm±1mm	4000	12620	100W	127	60	2.8 Kg
1E2353 Lenyk Slim E SR2R TRK150/5000/100W/80/NB	1424x71x108mm±1mm	5000	12810	100W	129	60	2.8 Kg
1E2354 Lenyk Slim E SR2R TRK150/3000/100W/80/WB	1424x71x108mm±1mm	3000	11970	100W	120	90	2.8 Kg
1E2355 Lenyk Slim E SR2R TRK150/4000/100W/80/WB	1424x71x108mm±1mm	4000	12620	100W	127	90	2.8 Kg
1E2356 Lenyk Slim E SR2R TRK150/5000/100W/80/WB	1424x71x108mm±1mm	5000	12805	100W	129	90	2.8 Kg
1E2357 Lenyk Slim E SR2R TRK150/3000/100W/80/DA	1424x71x108mm±1mm	3000	11830	100W	119	DA	2.8 Kg
1E2358 Lenyk Slim E SR2R TRK150/4000/100W/80/DA	1424x71x108mm±1mm	4000	12470	100W	125	DA	2.8 Kg
1E2359 Lenyk Slim E SR2R TRK150/5000/100W/80/DA	1424x71x108mm±1mm	5000	12655	100W	127	DA	2.8 Kg