

## Lenyk IL TRK

### TRACK LINEARS | DALI SERIES

Track mounted linear luminaire highly suitable for lighting tasks in the industrial, DIY and retail sectors. Lenyk IL TRK has LED modules encased in individual lenses, placed within a sleek and modern aluminum housing that merges with all the industrial environments. The individual lenses ensure that the beam can be precisely targeted towards the desired objects, irrespective of the mounting height. This features brings the benefit of little wasted light, and thus, of lower energy usage.

The track-mounted option of Lenyk brings enhanced flexibility, by effectively placing the luminaire on a grid with T, L or X connections.

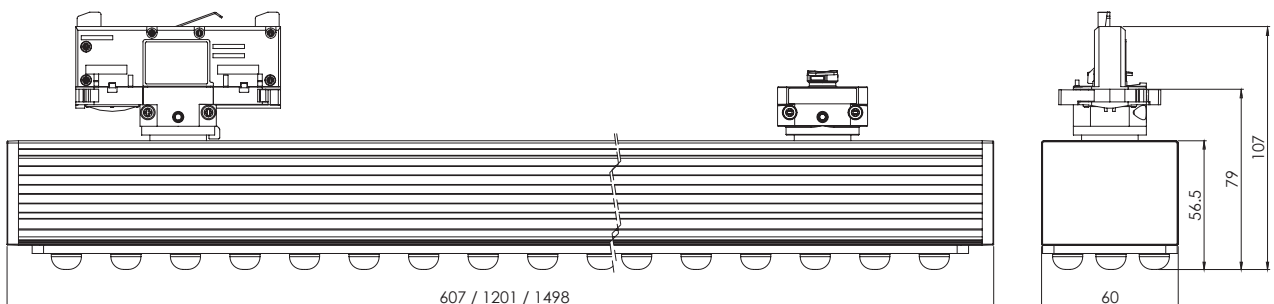
- Lenyk IL TRK Non-DALI: the standard for industrial, DIY and retail spaces
- Lenyk IL TRK DALI: with DALI dimming

### APPLICATION

Grocery & Supermarkets | Retail | DIY

### FEATURES & BENEFITS

- CRI  $\geq$  80 as standard
- 4 color temperatures: 3000K, 4000K, 5000K, 6500K
- Long rated life: L90/B10@50.000h
- Very high efficiency: 171 lm/w @4000K
- Wide range of lens angles: WB (Wide Beam - 90°), NB (Narrow Beam - 60°), TB (Tight Beam - 30°), DA (Double Asymmetric)



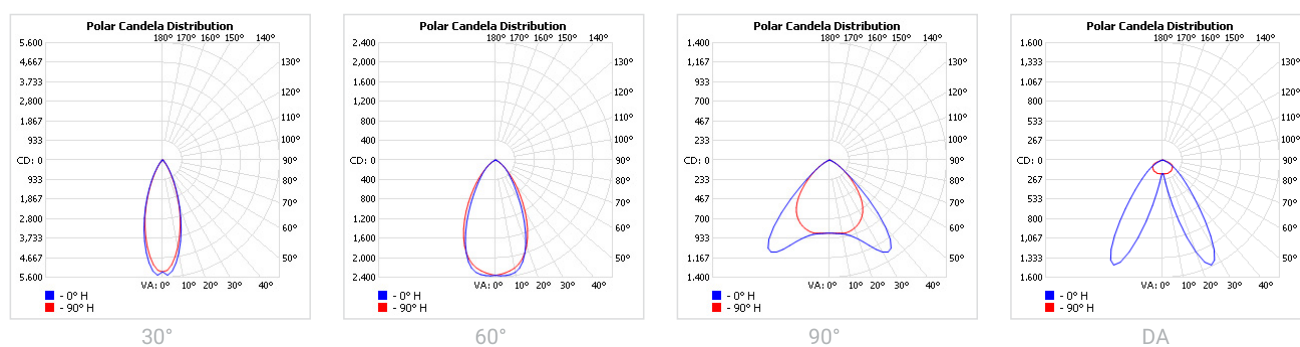
SPECIFICATIONS

Power consumption	20W	20W, 34W, 41W, 49W	25W, 33W, 42W, 51W, 60W
Dimensions	607 x 79 x 60 ± 1mm	1201 x 79 x 60 ± 1mm	1498 x 79 x 60 ± 1mm
Weight	1.3 Kg	2.3 Kg	2.7 Kg
Housing materials	Aluminum & Polycarbonate		
IK code	IK04		
THD (at 230V, 50Hz, Full load)	<9%		
Protection class	Safety class 1		
Operating temperature [°C]	-20°C ... +45°C / -4F ... +113F		
Operating humidity [%]	10 ÷ 85		
Power factor	≥0.95		
AC Input [Vac]	220 - 240 VAC		
Lens angle [°]	30°, 60°, 90°, DA		
Lifespan [h]	50,000		
Housing color	● Anodised grey		
Lumen maintenance	L90/B10@50.000h at 25°C		
IP factor	IP20		
Control optional	DALI		
Warranty [years]	5		
Storage temperature range [°C]	-20°C ... +55°C / -4F ... +131F		
Emergency option	-		

#	Standard
CRI	CRI80
CCT [K]	3000 / 4000 / 5000 / 6500
MacAdam	4

CRI - Color rendering, CCT - Color temperature, MacAdam - Color consistency

LIGHT DISTRIBUTION



**TOLERANCES****Luminous flux tolerances:** -/+ 5%**Consumption tolerance:** -/+ 5% for Non-DALI | -/+ 10% for Non-DALI & KIT EM | -/+ 10% for DALI | -/+ 15% for DALI & KIT EM**BATTERY WARRANTY****Non-DALI EM & DALI EM:** 12 months warranty**Non-DALI & DALI:** -**MAXIMUM NO. OF LUMINAIRES ON A CIRCUIT**

Luminaire Power [W]	Control type	Circuit Breaker Type					
		B			C		
		20	16	10	20	16	10
<50W	Non-DALI	38	30	19	62	51	31
≥ 50W	Non-DALI	38	30	19	62	51	31
<80W	DALI	27	21	13	45	35	21

**RISK GROUP****Standard (CRI80)** RG1**FOOD (BVF, FBS, FSM)** RG1**FOOD ≤35W (FZM, FSH)** RG1**FOOD >35W (FZM, FSH)** RG2**FAS** RG1**AMB2200** RG1**ART** RG1**AGI** RG1**CRI90** RG1**CRI95** RG1**ENT** RG1**RG1**

The evaluation of photobiological safety is carried out according to the standard IEC 62471:2008 ("Photobiological safety of lamps and lamp systems"). Following the definition of the risk grouping system of the mentioned IEC standard, the LEDs mounted on this family fall into the class "Low Risk (RG1 – No photobiological hazard under normal behavioral limitations)". Under real circumstances (regarding exposure time, pupils, observation distance), it is assumed that there is no endangerment to the eye from these devices. As a matter of principle, however, it should be mentioned that intense light sources have a high secondary exposure potential due to their blinding effect.

**RG2**

The evaluation of photobiological safety is carried out according to the standard IEC 62471:2008 ("Photobiological safety of lamps and lamp systems"). Following the definition of the risk grouping system of the mentioned IEC standard, the LEDs mounted on this family fall into the class "Moderate Risk (RG2)". Under real circumstances (regarding exposure time, pupils, observation distance), it is assumed that there is no endangerment to the eye from these devices. As a matter of principle, however, it should be mentioned that intense light sources have a high secondary exposure potential due to their blinding effect.

## SKU SPECIFICATIONS

Product Code	Dimensions (mm)	CCT (K)	Lumens (lm)	Power (W)	Eff. (lm/watt)	Lens Angle (°)
<b>CRI 80</b>						
265508 Lenyk IL 60TRK/3000/20W/80/WB	607 x 79 x 60 ± 1mm	3000	2890	20W	145	90°
265509 Lenyk IL 60TRK/4000/20W/80/WB	607 x 79 x 60 ± 1mm	4000	3010	20W	151	90°
265510 Lenyk IL 60TRK/5000/20W/80/WB	607 x 79 x 60 ± 1mm	5000	3090	20W	155	90°
265511 Lenyk IL 60TRK/6500/20W/80/WB	607 x 79 x 60 ± 1mm	6500	3010	20W	151	90°
265800 Lenyk IL 60TRK/3000/20W/80/NB	607 x 79 x 60 ± 1mm	3000	2875	20W	144	60°
265801 Lenyk IL 60TRK/4000/20W/80/NB	607 x 79 x 60 ± 1mm	4000	2995	20W	150	60°
265802 Lenyk IL 60TRK/5000/20W/80/NB	607 x 79 x 60 ± 1mm	5000	3075	20W	154	60°
265803 Lenyk IL 60TRK/6500/20W/80/NB	607 x 79 x 60 ± 1mm	6500	2995	20W	150	60°
265804 Lenyk IL 60TRK/3000/20W/80/TB	607 x 79 x 60 ± 1mm	3000	2895	20W	145	30°
265805 Lenyk IL 60TRK/4000/20W/80/TB	607 x 79 x 60 ± 1mm	4000	3020	20W	151	30°
265806 Lenyk IL 60TRK/5000/20W/80/TB	607 x 79 x 60 ± 1mm	5000	3100	20W	155	30°
265807 Lenyk IL 60TRK/6500/20W/80/TB	607 x 79 x 60 ± 1mm	6500	3020	20W	151	30°
265808 Lenyk IL 60TRK/3000/20W/80/DA	607 x 79 x 60 ± 1mm	3000	2875	20W	144	DA
265809 Lenyk IL 60TRK/4000/20W/80/DA	607 x 79 x 60 ± 1mm	4000	2995	20W	150	DA
265810 Lenyk IL 60TRK/5000/20W/80/DA	607 x 79 x 60 ± 1mm	5000	3075	20W	154	DA
265811 Lenyk IL 60TRK/6500/20W/80/DA	607 x 79 x 60 ± 1mm	6500	2995	20W	150	DA
265196 Lenyk IL 120TRK/3000/20W/80/TB	1201 x 79 x 60 ± 1mm	3000	3280	20W	164	30°
265197 Lenyk IL 120TRK/4000/20W/80/TB	1201 x 79 x 60 ± 1mm	4000	3420	20W	171	30°
265198 Lenyk IL 120TRK/5000/20W/80/TB	1201 x 79 x 60 ± 1mm	5000	3510	20W	176	30°
265199 Lenyk IL 120TRK/6500/20W/80/TB	1201 x 79 x 60 ± 1mm	6500	3420	20W	171	30°
265000 Lenyk IL 120TRK/3000/20W/80/NB	1201 x 79 x 60 ± 1mm	3000	3255	20W	163	60°
265001 Lenyk IL 120TRK/4000/20W/80/NB	1201 x 79 x 60 ± 1mm	4000	3395	20W	170	60°
265002 Lenyk IL 120TRK/5000/20W/80/NB	1201 x 79 x 60 ± 1mm	5000	3485	20W	175	60°
265003 Lenyk IL 120TRK/6500/20W/80/NB	1201 x 79 x 60 ± 1mm	6500	3395	20W	170	60°
265004 Lenyk IL 120TRK/3000/20W/80/WB	1201 x 79 x 60 ± 1mm	3000	3270	20W	164	90°
265005 Lenyk IL 120TRK/4000/20W/80/WB	1201 x 79 x 60 ± 1mm	4000	3410	20W	171	90°
265006 Lenyk IL 120TRK/5000/20W/80/WB	1201 x 79 x 60 ± 1mm	5000	3500	20W	175	90°
265007 Lenyk IL 120TRK/6500/20W/80/WB	1201 x 79 x 60 ± 1mm	6500	3410	20W	171	90°
265008 Lenyk IL 120TRK/3000/20W/80/DA	1201 x 79 x 60 ± 1mm	3000	3255	20W	163	DA
265009 Lenyk IL 120TRK/4000/20W/80/DA	1201 x 79 x 60 ± 1mm	4000	3395	20W	170	DA
265010 Lenyk IL 120TRK/5000/20W/80/DA	1201 x 79 x 60 ± 1mm	5000	3485	20W	175	DA
265011 Lenyk IL 120TRK/6500/20W/80/DA	1201 x 79 x 60 ± 1mm	6500	3395	20W	170	DA
265200 Lenyk IL 120TRK/3000/34W/80/TB	1201 x 79 x 60 ± 1mm	3000	5190	34W	153	30°
265201 Lenyk IL 120TRK/4000/34W/80/TB	1201 x 79 x 60 ± 1mm	4000	5410	34W	160	30°
265202 Lenyk IL 120TRK/5000/34W/80/TB	1201 x 79 x 60 ± 1mm	5000	5555	34W	164	30°
265203 Lenyk IL 120TRK/6500/34W/80/TB	1201 x 79 x 60 ± 1mm	6500	5410	34W	160	30°
265012 Lenyk IL 120TRK/3000/34W/80/NB	1201 x 79 x 60 ± 1mm	3000	5150	34W	152	60°
265013 Lenyk IL 120TRK/4000/34W/80/NB	1201 x 79 x 60 ± 1mm	4000	5370	34W	158	60°
265014 Lenyk IL 120TRK/5000/34W/80/NB	1201 x 79 x 60 ± 1mm	5000	5515	34W	163	60°
265015 Lenyk IL 120TRK/6500/34W/80/NB	1201 x 79 x 60 ± 1mm	6500	5370	34W	158	60°
265016 Lenyk IL 120TRK/3000/34W/80/WB	1201 x 79 x 60 ± 1mm	3000	5175	34W	153	90°
265017 Lenyk IL 120TRK/4000/34W/80/WB	1201 x 79 x 60 ± 1mm	4000	5395	34W	159	90°
265018 Lenyk IL 120TRK/5000/34W/80/WB	1201 x 79 x 60 ± 1mm	5000	5540	34W	163	90°
265019 Lenyk IL 120TRK/6500/34W/80/WB	1201 x 79 x 60 ± 1mm	6500	5395	34W	159	90°
265020 Lenyk IL 120TRK/3000/34W/80/DA	1201 x 79 x 60 ± 1mm	3000	5150	34W	152	DA
265021 Lenyk IL 120TRK/4000/34W/80/DA	1201 x 79 x 60 ± 1mm	4000	5370	34W	158	DA
265022 Lenyk IL 120TRK/5000/34W/80/DA	1201 x 79 x 60 ± 1mm	5000	5515	34W	163	DA
265023 Lenyk IL 120TRK/6500/34W/80/DA	1201 x 79 x 60 ± 1mm	6500	5370	34W	158	DA
265204 Lenyk IL 120TRK/3000/41W/80/TB	1201 x 79 x 60 ± 1mm	3000	6080	41W	149	30°
265205 Lenyk IL 120TRK/4000/41W/80/TB	1201 x 79 x 60 ± 1mm	4000	6335	41W	155	30°
265206 Lenyk IL 120TRK/5000/41W/80/TB	1201 x 79 x 60 ± 1mm	5000	6510	41W	159	30°
265207 Lenyk IL 120TRK/6500/41W/80/TB	1201 x 79 x 60 ± 1mm	6500	6335	41W	155	30°

## SKU SPECIFICATIONS

Product Code	Dimensions (mm)	CCT (K)	Lumens (lm)	Power (W)	Eff. (lm/watt)	Lens Angle (°)
<b>CRI 80</b>						
265024 Lenyk IL 120TRK/3000/41W/80/NB	1201 x 79 x 60 ± 1mm	3000	6035	41W	148	60°
265025 Lenyk IL 120TRK/4000/41W/80/NB	1201 x 79 x 60 ± 1mm	4000	6290	41W	154	60°
265026 Lenyk IL 120TRK/5000/41W/80/NB	1201 x 79 x 60 ± 1mm	5000	6460	41W	158	60°
265027 Lenyk IL 120TRK/6500/41W/80/NB	1201 x 79 x 60 ± 1mm	6500	6290	41W	154	60°
265028 Lenyk IL 120TRK/3000/41W/80/WB	1201 x 79 x 60 ± 1mm	3000	6065	41W	148	90°
265029 Lenyk IL 120TRK/4000/41W/80/WB	1201 x 79 x 60 ± 1mm	4000	6320	41W	155	90°
265030 Lenyk IL 120TRK/5000/41W/80/WB	1201 x 79 x 60 ± 1mm	5000	6490	41W	159	90°
265031 Lenyk IL 120TRK/6500/41W/80/WB	1201 x 79 x 60 ± 1mm	6500	6320	41W	155	90°
265032 Lenyk IL 120TRK/3000/41W/80/DA	1201 x 79 x 60 ± 1mm	3000	6035	41W	148	DA
265033 Lenyk IL 120TRK/4000/41W/80/DA	1201 x 79 x 60 ± 1mm	4000	6290	41W	154	DA
265034 Lenyk IL 120TRK/5000/41W/80/DA	1201 x 79 x 60 ± 1mm	5000	6460	41W	158	DA
265035 Lenyk IL 120TRK/6500/41W/80/DA	1201 x 79 x 60 ± 1mm	6500	6290	41W	154	DA
265208 Lenyk IL 120TRK/3000/49W/80/TB	1201 x 79 x 60 ± 1mm	3000	7885	49W	161	30°
265209 Lenyk IL 120TRK/4000/49W/80/TB	1201 x 79 x 60 ± 1mm	4000	8220	49W	168	30°
265210 Lenyk IL 120TRK/5000/49W/80/TB	1201 x 79 x 60 ± 1mm	5000	8445	49W	173	30°
265211 Lenyk IL 120TRK/6500/49W/80/TB	1201 x 79 x 60 ± 1mm	6500	8220	49W	168	30°
265036 Lenyk IL 120TRK/3000/49W/80/NB	1201 x 79 x 60 ± 1mm	3000	7830	49W	160	60°
265037 Lenyk IL 120TRK/4000/49W/80/NB	1201 x 79 x 60 ± 1mm	4000	8160	49W	167	60°
265038 Lenyk IL 120TRK/5000/49W/80/NB	1201 x 79 x 60 ± 1mm	5000	8380	49W	172	60°
265039 Lenyk IL 120TRK/6500/49W/80/NB	1201 x 79 x 60 ± 1mm	6500	8160	49W	167	60°
265040 Lenyk IL 120TRK/3000/49W/80/WB	1201 x 79 x 60 ± 1mm	3000	7865	49W	161	90°
265041 Lenyk IL 120TRK/4000/49W/80/WB	1201 x 79 x 60 ± 1mm	4000	8200	49W	168	90°
265042 Lenyk IL 120TRK/5000/49W/80/WB	1201 x 79 x 60 ± 1mm	5000	8420	49W	172	90°
265043 Lenyk IL 120TRK/6500/49W/80/WB	1201 x 79 x 60 ± 1mm	6500	8200	49W	168	90°
265044 Lenyk IL 120TRK/3000/49W/80/DA	1201 x 79 x 60 ± 1mm	3000	7830	49W	160	DA
265045 Lenyk IL 120TRK/4000/49W/80/DA	1201 x 79 x 60 ± 1mm	4000	8160	49W	167	DA
265046 Lenyk IL 120TRK/5000/49W/80/DA	1201 x 79 x 60 ± 1mm	5000	8380	49W	172	DA
265047 Lenyk IL 120TRK/6500/49W/80/DA	1201 x 79 x 60 ± 1mm	6500	8160	49W	167	DA
265180 Lenyk IL 150TRK/3000/25W/80/TB	1498 x 79 x 60 ± 1mm	3000	3990	25W	160	30°
265181 Lenyk IL 150TRK/4000/25W/80/TB	1498 x 79 x 60 ± 1mm	4000	4160	25W	167	30°
265182 Lenyk IL 150TRK/5000/25W/80/TB	1498 x 79 x 60 ± 1mm	5000	4275	25W	171	30°
265183 Lenyk IL 150TRK/6500/25W/80/TB	1498 x 79 x 60 ± 1mm	6500	4160	25W	167	30°
265184 Lenyk IL 150TRK/3000/25W/80/NB	1498 x 79 x 60 ± 1mm	3000	3965	25W	159	60°
265185 Lenyk IL 150TRK/4000/25W/80/NB	1498 x 79 x 60 ± 1mm	4000	4130	25W	166	60°
265186 Lenyk IL 150TRK/5000/25W/80/NB	1498 x 79 x 60 ± 1mm	5000	4240	25W	170	60°
265187 Lenyk IL 150TRK/6500/25W/80/NB	1498 x 79 x 60 ± 1mm	6500	4130	25W	166	60°
265188 Lenyk IL 150TRK/3000/25W/80/WB	1498 x 79 x 60 ± 1mm	3000	3980	25W	160	90°
265189 Lenyk IL 150TRK/4000/25W/80/WB	1498 x 79 x 60 ± 1mm	4000	4150	25W	166	90°
265190 Lenyk IL 150TRK/5000/25W/80/WB	1498 x 79 x 60 ± 1mm	5000	4260	25W	171	90°
265191 Lenyk IL 150TRK/6500/25W/80/WB	1498 x 79 x 60 ± 1mm	6500	4150	25W	166	90°
265192 Lenyk IL 150TRK/3000/25W/80/DA	1498 x 79 x 60 ± 1mm	3000	3965	25W	159	DA
265193 Lenyk IL 150TRK/4000/25W/80/DA	1498 x 79 x 60 ± 1mm	4000	4130	25W	166	DA
265194 Lenyk IL 150TRK/5000/25W/80/DA	1498 x 79 x 60 ± 1mm	5000	4240	25W	170	DA
265195 Lenyk IL 150TRK/6500/25W/80/DA	1498 x 79 x 60 ± 1mm	6500	4130	25W	166	DA
265212 Lenyk IL 150TRK/3000/33W/80/TB	1498 x 79 x 60 ± 1mm	3000	5045	33W	153	30°
265213 Lenyk IL 150TRK/4000/33W/80/TB	1498 x 79 x 60 ± 1mm	4000	5260	33W	160	30°
265214 Lenyk IL 150TRK/5000/33W/80/TB	1498 x 79 x 60 ± 1mm	5000	5400	33W	164	30°
265215 Lenyk IL 150TRK/6500/33W/80/TB	1498 x 79 x 60 ± 1mm	6500	5260	33W	160	30°
265048 Lenyk IL 150TRK/3000/33W/80/NB	1498 x 79 x 60 ± 1mm	3000	4965	33W	151	60°
265049 Lenyk IL 150TRK/4000/33W/80/NB	1498 x 79 x 60 ± 1mm	4000	5175	33W	157	60°
265050 Lenyk IL 150TRK/5000/33W/80/NB	1498 x 79 x 60 ± 1mm	5000	5315	33W	162	60°
265051 Lenyk IL 150TRK/6500/33W/80/NB	1498 x 79 x 60 ± 1mm	6500	5175	33W	157	60°

SKU SPECIFICATIONS

Product Code	Dimensions (mm)	CCT (K)	Lumens (lm)	Power (W)	Eff. (lm/watt)	Lens Angle (°)
<b>CRI 80</b>						
265052 Lenyk IL 150TRK/3000/33W/80/WB	1498 x 79 x 60 ± 1mm	3000	4985	33W	152	90°
265053 Lenyk IL 150TRK/4000/33W/80/WB	1498 x 79 x 60 ± 1mm	4000	5195	33W	158	90°
265054 Lenyk IL 150TRK/5000/33W/80/WB	1498 x 79 x 60 ± 1mm	5000	5340	33W	162	90°
265055 Lenyk IL 150TRK/6500/33W/80/WB	1498 x 79 x 60 ± 1mm	6500	5195	33W	158	90°
265056 Lenyk IL 150TRK/3000/33W/80/DA	1498 x 79 x 60 ± 1mm	3000	4965	33W	151	DA
265057 Lenyk IL 150TRK/4000/33W/80/DA	1498 x 79 x 60 ± 1mm	4000	5175	33W	157	DA
265058 Lenyk IL 150TRK/5000/33W/80/DA	1498 x 79 x 60 ± 1mm	5000	5315	33W	162	DA
265059 Lenyk IL 150TRK/6500/33W/80/DA	1498 x 79 x 60 ± 1mm	6500	5175	33W	157	DA
265216 Lenyk IL 150TRK/3000/42W/80/TB	1498 x 79 x 60 ± 1mm	3000	6445	42W	154	30°
265217 Lenyk IL 150TRK/4000/42W/80/TB	1498 x 79 x 60 ± 1mm	4000	6720	42W	160	30°
265218 Lenyk IL 150TRK/5000/42W/80/TB	1498 x 79 x 60 ± 1mm	5000	6900	42W	165	30°
265219 Lenyk IL 150TRK/6500/42W/80/TB	1498 x 79 x 60 ± 1mm	6500	6720	42W	160	30°
265060 Lenyk IL 150TRK/3000/42W/80/NB	1498 x 79 x 60 ± 1mm	3000	6340	42W	151	60°
265061 Lenyk IL 150TRK/4000/42W/80/NB	1498 x 79 x 60 ± 1mm	4000	6610	42W	158	60°
265062 Lenyk IL 150TRK/5000/42W/80/NB	1498 x 79 x 60 ± 1mm	5000	6790	42W	162	60°
265063 Lenyk IL 150TRK/6500/42W/80/NB	1498 x 79 x 60 ± 1mm	6500	6610	42W	158	60°
265064 Lenyk IL 150TRK/3000/42W/80/WB	1498 x 79 x 60 ± 1mm	3000	6370	42W	152	90°
265065 Lenyk IL 150TRK/4000/42W/80/WB	1498 x 79 x 60 ± 1mm	4000	6640	42W	159	90°
265066 Lenyk IL 150TRK/5000/42W/80/WB	1498 x 79 x 60 ± 1mm	5000	6820	42W	163	90°
265067 Lenyk IL 150TRK/6500/42W/80/WB	1498 x 79 x 60 ± 1mm	6500	6640	42W	159	90°
265068 Lenyk IL 150TRK/3000/42W/80/DA	1498 x 79 x 60 ± 1mm	3000	6340	42W	151	DA
265069 Lenyk IL 150TRK/4000/42W/80/DA	1498 x 79 x 60 ± 1mm	4000	6610	42W	158	DA
265070 Lenyk IL 150TRK/5000/42W/80/DA	1498 x 79 x 60 ± 1mm	5000	6790	42W	162	DA
265071 Lenyk IL 150TRK/6500/42W/80/DA	1498 x 79 x 60 ± 1mm	6500	6610	42W	158	DA
265220 Lenyk IL 150TRK/3000/51W/80/TB	1498 x 79 x 60 ± 1mm	3000	7495	51W	147	30°
265221 Lenyk IL 150TRK/4000/51W/80/TB	1498 x 79 x 60 ± 1mm	4000	7810	51W	154	30°
265222 Lenyk IL 150TRK/5000/51W/80/TB	1498 x 79 x 60 ± 1mm	5000	8020	51W	158	30°
265223 Lenyk IL 150TRK/6500/51W/80/TB	1498 x 79 x 60 ± 1mm	6500	7810	51W	154	30°
265072 Lenyk IL 150TRK/3000/51W/80/NB	1498 x 79 x 60 ± 1mm	3000	7375	51W	145	60°
265073 Lenyk IL 150TRK/4000/51W/80/NB	1498 x 79 x 60 ± 1mm	4000	7685	51W	151	60°
265074 Lenyk IL 150TRK/5000/51W/80/NB	1498 x 79 x 60 ± 1mm	5000	7895	51W	155	60°
265075 Lenyk IL 150TRK/6500/51W/80/NB	1498 x 79 x 60 ± 1mm	6500	7685	51W	151	60°
265076 Lenyk IL 150TRK/3000/51W/80/WB	1498 x 79 x 60 ± 1mm	3000	7405	51W	146	90°
265077 Lenyk IL 150TRK/4000/51W/80/WB	1498 x 79 x 60 ± 1mm	4000	7720	51W	152	90°
265078 Lenyk IL 150TRK/5000/51W/80/WB	1498 x 79 x 60 ± 1mm	5000	7930	51W	156	90°
265079 Lenyk IL 150TRK/6500/51W/80/WB	1498 x 79 x 60 ± 1mm	6500	7720	51W	152	90°
265080 Lenyk IL 150TRK/3000/51W/80/DA	1498 x 79 x 60 ± 1mm	3000	7375	51W	139	DA
265081 Lenyk IL 150TRK/4000/51W/80/DA	1498 x 79 x 60 ± 1mm	4000	7685	51W	144	DA
265082 Lenyk IL 150TRK/5000/51W/80/DA	1498 x 79 x 60 ± 1mm	5000	7895	51W	148	DA
265083 Lenyk IL 150TRK/6500/51W/80/DA	1498 x 79 x 60 ± 1mm	6500	7685	51W	144	DA
265224 Lenyk IL 150TRK/3000/60W/80/TB	1498 x 79 x 60 ± 1mm	3000	8790	60W	147	30°
265225 Lenyk IL 150TRK/4000/60W/80/TB	1498 x 79 x 60 ± 1mm	4000	9160	60W	153	30°
265226 Lenyk IL 150TRK/5000/60W/80/TB	1498 x 79 x 60 ± 1mm	5000	9410	60W	157	30°
265227 Lenyk IL 150TRK/6500/60W/80/TB	1498 x 79 x 60 ± 1mm	6500	9160	60W	153	30°
265084 Lenyk IL 150TRK/3000/60W/80/NB	1498 x 79 x 60 ± 1mm	3000	8725	60W	146	60°
265085 Lenyk IL 150TRK/4000/60W/80/NB	1498 x 79 x 60 ± 1mm	4000	9095	60W	152	60°
265086 Lenyk IL 150TRK/5000/60W/80/NB	1498 x 79 x 60 ± 1mm	5000	9340	60W	156	60°
265087 Lenyk IL 150TRK/6500/60W/80/NB	1498 x 79 x 60 ± 1mm	6500	9095	60W	152	60°
265088 Lenyk IL 150TRK/3000/60W/80/WB	1498 x 79 x 60 ± 1mm	3000	8765	60W	147	90°
265089 Lenyk IL 150TRK/4000/60W/80/WB	1498 x 79 x 60 ± 1mm	4000	9135	60W	153	90°
265090 Lenyk IL 150TRK/5000/60W/80/WB	1498 x 79 x 60 ± 1mm	5000	9385	60W	157	90°
265091 Lenyk IL 150TRK/6500/60W/80/WB	1498 x 79 x 60 ± 1mm	6500	9135	60W	153	90°

## SKU SPECIFICATIONS

Product Code	Dimensions (mm)	CCT (K)	Lumens (lm)	Power (W)	Eff. (lm/watt)	Lens Angle (°)
<b>CRI 80</b>						
265092 Lenyk IL 150TRK/3000/60W/80/DA	1498 x 79 x 60 ± 1mm	3000	8725	60W	146	DA
265093 Lenyk IL 150TRK/4000/60W/80/DA	1498 x 79 x 60 ± 1mm	4000	9095	60W	152	DA
265094 Lenyk IL 150TRK/5000/60W/80/DA	1498 x 79 x 60 ± 1mm	5000	9340	60W	156	DA
265095 Lenyk IL 150TRK/6500/60W/80/DA	1498 x 79 x 60 ± 1mm	6500	9095	60W	152	DA