



## Sedona

### RECESSED DOWNLIGHTS | DALI SERIES

Round recessed LED downlight for general lighting and accent lighting with perfect glare control. Highly reflective aluminum finish for zero iridescence. Best for applications such as offices, showrooms, commercial areas, hospitals, hotels, airports. Housing available in three colors - signal white, jet black, white aluminum, easy to complement any type of ceiling.

Sedona recessed downlight comes in several series, with various add-on and controls:

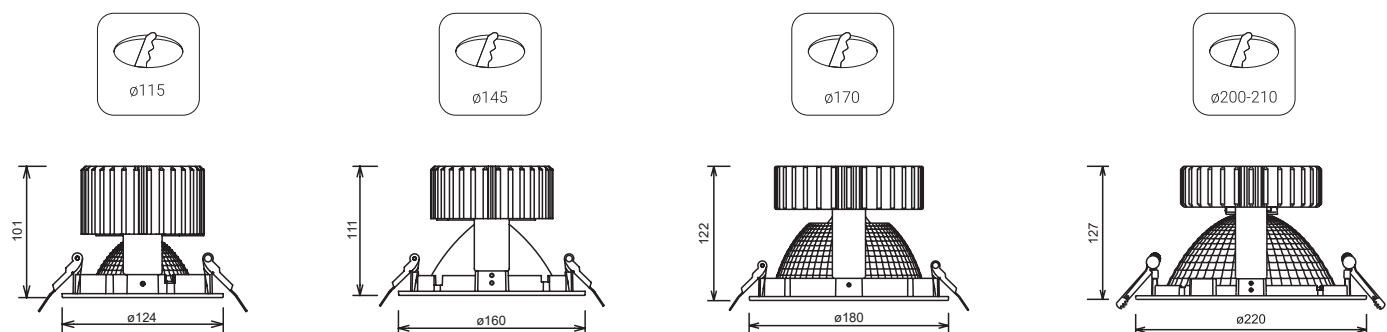
- Sedona Non-DALI – the standard for a large number of spaces – offices, showrooms, restaurants
- Sedona Non-DALI EM - with emergency lighting kit
- Sedona DALI – with DALI controls for illumination adjustments
- Sedona DALI EM – series with emergency lighting kit and dimming

### FEATURES & BENEFITS

- CRI  $\geq$  80 standard, but higher is available
- Very long service life: 50,000 h at 90% luminous flux
- High efficiency of 117 lm/watt
- 4 types of lens angle
- Dimmable

### APPLICATION

Grocery & Supermarkets | Retail | Office | Healthcare | Hospitality | DIY



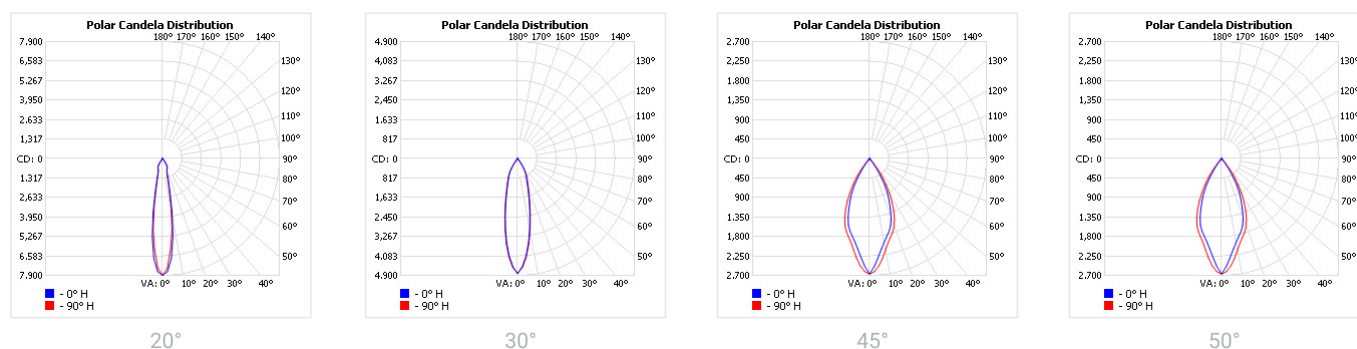
SPECIFICATIONS

Power consumption	12W, 14W, 17W, 20W, 23W, 27W, 29W, 34W, 35W, 42W
Dimensions	D124xH101xØ115±1mm   D160xH111xØ145±1mm   D180xH122xØ170±1mm   D220xH127xØ200-210±1mm
Weight	0.9 - 1 Kg
Housing materials	Aluminium, glass
IK code	IK02
THD (at 230V, 50Hz, Full load)	<20%
Protection class	Safety class 1
Operating temperature [°C]	-20°C ... +45°C / -4F ... +113F
Operating humidity [%]	10 ÷ 85
Power factor	≥0.95
AC Input [Vac]	220 - 240 VAC
Lens angle [°]	20°, 30°, 45°, 50°
Lifespan [h]	50,000
Housing color	○ RAL 9003 - Signal White, ● RAL 9005 - Jet Black, ● RAL 9006 - White Aluminium
Lumen maintenance	L90/B10@50,000h at 25°C
IP factor	IP20
Control optional	DALI
Warranty [years]	5
Storage temperature range [°C]	-20°C ... +55°C / -4F ... +131F
Emergency option	-

#	Standard	Food	Fashion	AGI	ART	AMB
CRI	CRI80	CRI80	CRI95	CRI93	CRI98	CRI80
CCT [K]	2700 / 3000 / 3500 / 4000	BVF / FBS / FZM / FSM / FSH	FAS	AGI 3000 / 3500 / 4000	3000	2200
MacAdam	3	3 / 4 / 4 / 3 / 3	3	3	2	3

CRI - Color rendering, CCT - Color temperature, MacAdam - Color consistency

LIGHT DISTRIBUTION



**TOLERANCES**

**Luminous flux tolerances:** -/+ 5%

**Consumption tolerance:** -/+ 5% for Non-DALI | -/+ 10% for Non-DALI & KIT EM | -/+ 10% for DALI | -/+ 15% for DALI & KIT EM

**BATTERY WARRANTY**

**Non-DALI EM & DALI EM:** 12 months warranty

**Non-DALI & DALI:** -

**MAXIMUM NO. OF LUMINAIRES ON A CIRCUIT**

Luminaire Power(W)	Control type	Circuit Breaker Type					
		B			C		
		20	16	10	20	16	10
8-20W	Non-DALI	62	50	31	104	85	52
23-35W	Non-DALI	24	20	10	47	40	20
42W	Non-DALI	20	16	8	38	32	16
8-20W	DALI	62	50	31	104	85	52
23-27W	DALI	25	21	13	50	42	26
34-42W	DALI	17	14	9	34	28	18

**RISK GROUP**

<b>Standard (CRI80)</b>	RG1
<b>FOOD (BVF, FBS, FSM)</b>	RG1
<b>FOOD ≤35W (FZM, FSH)</b>	RG1
<b>FOOD &gt;35W (FZM, FSH)</b>	RG2
<b>FAS</b>	RG1
<b>AMB2200</b>	RG1
<b>ART</b>	RG1
<b>AGI</b>	RG1
<b>CRI90</b>	RG1
<b>CRI95</b>	RG1
<b>ENT</b>	RG1

**RG1**

The evaluation of photobiological safety is carried out according to the standard IEC 62471:2008 ("Photobiological safety of lamps and lamp systems"). Following the definition of the risk grouping system of the mentioned IEC standard, the LEDs mounted on this family fall into the class "Low Risk (RG1 – No photobiological hazard under normal behavioral limitations)". Under real circumstances (regarding exposure time, pupils, observation distance), it is assumed that there is no endangerment to the eye from these devices. As a matter of principle, however, it should be mentioned that intense light sources have a high secondary exposure potential due to their blinding effect.

**RG2**

The evaluation of photobiological safety is carried out according to the standard IEC 62471:2008 ("Photobiological safety of lamps and lamp systems"). Following the definition of the risk grouping system of the mentioned IEC standard, the LEDs mounted on this family fall into the class "Moderate Risk (RG2)". Under real circumstances (regarding exposure time, pupils, observation distance), it is assumed that there is no endangerment to the eye from these devices. As a matter of principle, however, it should be mentioned that intense light sources have a high secondary exposure potential due to their blinding effect.

SKU SPECIFICATIONS

Product Code	Dimensions (mm)	CCT (K)	Lumens (lm)	Power (W)	Eff. (lm/watt)	Lens Angle (°)
<b>CRI 80</b>						
245496 Sedona D32020/2700/14W/80/A20	D124xH101mmxØ115mm±1mm	2700	1485	14W	107	20°
245497 Sedona D32020/3000/14W/80/A20	D124xH101mmxØ115mm±1mm	3000	1500	14W	108	20°
245498 Sedona D32020/3500/14W/80/A20	D124xH101mmxØ115mm±1mm	3500	1540	14W	110	20°
245499 Sedona D32020/4000/14W/80/A20	D124xH101mmxØ115mm±1mm	4000	1570	14W	113	20°
245501 Sedona D32020/2700/20W/80/A20	D124xH101mmxØ115mm±1mm	2700	2080	20W	104	20°
245502 Sedona D32020/3000/20W/80/A20	D124xH101mmxØ115mm±1mm	3000	2100	20W	105	20°
245503 Sedona D32020/3500/20W/80/A20	D124xH101mmxØ115mm±1mm	3500	2160	20W	108	20°
245504 Sedona D32020/4000/20W/80/A20	D124xH101mmxØ115mm±1mm	4000	2200	20W	110	20°
245506 Sedona D32020/2700/27W/80/A20	D124xH101mmxØ115mm±1mm	2700	2945	27W	110	20°
245507 Sedona D32020/3000/27W/80/A20	D124xH101mmxØ115mm±1mm	3000	2970	27W	110	20°
245508 Sedona D32020/3500/27W/80/A20	D124xH101mmxØ115mm±1mm	3500	3055	27W	114	20°
245509 Sedona D32020/4000/27W/80/A20	D124xH101mmxØ115mm±1mm	4000	3135	27W	117	20°
245511 Sedona D32020/2700/35W/80/A20	D124xH101mmxØ115mm±1mm	2700	3710	35W	106	20°
245512 Sedona D32020/3000/35W/80/A20	D124xH101mmxØ115mm±1mm	3000	3745	35W	107	20°
245513 Sedona D32020/3500/35W/80/A20	D124xH101mmxØ115mm±1mm	3500	3815	35W	109	20°
245514 Sedona D32020/4000/35W/80/A20	D124xH101mmxØ115mm±1mm	4000	3920	35W	112	20°
245516 Sedona D32020/2700/42W/80/A20	D124xH101mmxØ115mm±1mm	2700	4200	42W	100	20°
245517 Sedona D32020/3000/42W/80/A20	D124xH101mmxØ115mm±1mm	3000	4200	42W	100	20°
245518 Sedona D32020/3500/42W/80/A20	D124xH101mmxØ115mm±1mm	3500	4330	42W	103	20°
245519 Sedona D32020/4000/42W/80/A20	D124xH101mmxØ115mm±1mm	4000	4455	42W	106	20°
245521 Sedona D32020/2700/14W/80/A30	D124xH101mmxØ115mm±1mm	2700	1485	14W	107	30°
245522 Sedona D32020/3000/14W/80/A30	D124xH101mmxØ115mm±1mm	3000	1500	14W	108	30°
245523 Sedona D32020/3500/14W/80/A30	D124xH101mmxØ115mm±1mm	3500	1540	14W	110	30°
245524 Sedona D32020/4000/14W/80/A30	D124xH101mmxØ115mm±1mm	4000	1570	14W	113	30°
245526 Sedona D32020/2700/20W/80/A30	D124xH101mmxØ115mm±1mm	2700	2080	20W	104	30°
245527 Sedona D32020/3000/20W/80/A30	D124xH101mmxØ115mm±1mm	3000	2100	20W	105	30°
245528 Sedona D32020/3500/20W/80/A30	D124xH101mmxØ115mm±1mm	3500	2160	20W	108	30°
245529 Sedona D32020/4000/20W/80/A30	D124xH101mmxØ115mm±1mm	4000	2200	20W	110	30°
245531 Sedona D32020/2700/27W/80/A30	D124xH101mmxØ115mm±1mm	2700	2945	27W	110	30°
245532 Sedona D32020/3000/27W/80/A30	D124xH101mmxØ115mm±1mm	3000	2970	27W	110	30°
245533 Sedona D32020/3500/27W/80/A30	D124xH101mmxØ115mm±1mm	3500	3055	27W	114	30°
245534 Sedona D32020/4000/27W/80/A30	D124xH101mmxØ115mm±1mm	4000	3135	27W	117	30°
245536 Sedona D32020/2700/35W/80/A30	D124xH101mmxØ115mm±1mm	2700	3710	35W	106	30°
245537 Sedona D32020/3000/35W/80/A30	D124xH101mmxØ115mm±1mm	3000	3745	35W	107	30°
245538 Sedona D32020/3500/35W/80/A30	D124xH101mmxØ115mm±1mm	3500	3815	35W	109	30°
245539 Sedona D32020/4000/35W/80/A30	D124xH101mmxØ115mm±1mm	4000	3920	35W	112	30°
245541 Sedona D32020/2700/42W/80/A30	D124xH101mmxØ115mm±1mm	2700	4200	42W	100	30°
245542 Sedona D32020/3000/42W/80/A30	D124xH101mmxØ115mm±1mm	3000	4200	42W	100	30°
245543 Sedona D32020/3500/42W/80/A30	D124xH101mmxØ115mm±1mm	3500	4330	42W	103	30°
245544 Sedona D32020/4000/42W/80/A30	D124xH101mmxØ115mm±1mm	4000	4455	42W	106	30°
245000 Sedona D32020/2700/14W/80/A50	D124xH101mmxØ115mm±1mm	2700	1485	14W	107	50°
245001 Sedona D32020/3000/14W/80/A50	D124xH101mmxØ115mm±1mm	3000	1500	14W	108	50°
245002 Sedona D32020/3500/14W/80/A50	D124xH101mmxØ115mm±1mm	3500	1540	14W	110	50°
245003 Sedona D32020/4000/14W/80/A50	D124xH101mmxØ115mm±1mm	4000	1570	14W	113	50°
245005 Sedona D32020/2700/20W/80/A50	D124xH101mmxØ115mm±1mm	2700	2080	20W	104	50°
245006 Sedona D32020/3000/20W/80/A50	D124xH101mmxØ115mm±1mm	3000	2100	20W	105	50°
245007 Sedona D32020/3500/20W/80/A50	D124xH101mmxØ115mm±1mm	3500	2160	20W	108	50°
245008 Sedona D32020/4000/20W/80/A50	D124xH101mmxØ115mm±1mm	4000	2200	20W	110	50°
245010 Sedona D32020/2700/27W/80/A50	D124xH101mmxØ115mm±1mm	2700	2945	27W	110	50°
245011 Sedona D32020/3000/27W/80/A50	D124xH101mmxØ115mm±1mm	3000	2970	27W	110	50°
245012 Sedona D32020/3500/27W/80/A50	D124xH101mmxØ115mm±1mm	3500	3055	27W	114	50°
245013 Sedona D32020/4000/27W/80/A50	D124xH101mmxØ115mm±1mm	4000	3135	27W	117	50°

SKU SPECIFICATIONS

Product Code	Dimensions (mm)	CCT (K)	Lumens (lm)	Power (W)	Eff. (lm/watt)	Lens Angle (°)
<b>CRI 80</b>						
245015 Sedona D32020/2700/35W/80/A50	D124xH101mmxØ115mm±1mm	2700	3710	35W	106	50°
245016 Sedona D32020/3000/35W/80/A50	D124xH101mmxØ115mm±1mm	3000	3745	35W	107	50°
245017 Sedona D32020/3500/35W/80/A50	D124xH101mmxØ115mm±1mm	3500	3815	35W	109	50°
245018 Sedona D32020/4000/35W/80/A50	D124xH101mmxØ115mm±1mm	4000	3920	35W	112	50°
245020 Sedona D32020/2700/42W/80/A50	D124xH101mmxØ115mm±1mm	2700	4200	42W	100	50°
245021 Sedona D32020/3000/42W/80/A50	D124xH101mmxØ115mm±1mm	3000	4200	42W	100	50°
245022 Sedona D32020/3500/42W/80/A50	D124xH101mmxØ115mm±1mm	3500	4330	42W	103	50°
245023 Sedona D32020/4000/42W/80/A50	D124xH101mmxØ115mm±1mm	4000	4455	42W	106	50°
245025 Sedona D32023/2700/14W/80/A50	D160xH111mmxØ145mm±1mm	2700	1485	14W	107	50°
245026 Sedona D32023/3000/14W/80/A50	D160xH111mmxØ145mm±1mm	3000	1500	14W	108	50°
245027 Sedona D32023/3500/14W/80/A50	D160xH111mmxØ145mm±1mm	3500	1540	14W	110	50°
245028 Sedona D32023/4000/14W/80/A50	D160xH111mmxØ145mm±1mm	4000	1570	14W	113	50°
245030 Sedona D32023/2700/20W/80/A50	D160xH111mmxØ145mm±1mm	2700	2080	20W	104	50°
245031 Sedona D32023/3000/20W/80/A50	D160xH111mmxØ145mm±1mm	3000	2100	20W	105	50°
245032 Sedona D32023/3500/20W/80/A50	D160xH111mmxØ145mm±1mm	3500	2160	20W	108	50°
245033 Sedona D32023/4000/20W/80/A50	D160xH111mmxØ145mm±1mm	4000	2200	20W	110	50°
245035 Sedona D32023/2700/27W/80/A50	D160xH111mmxØ145mm±1mm	2700	2945	27W	110	50°
245036 Sedona D32023/3000/27W/80/A50	D160xH111mmxØ145mm±1mm	3000	2970	27W	110	50°
245037 Sedona D32023/3500/27W/80/A50	D160xH111mmxØ145mm±1mm	3500	3055	27W	114	50°
245038 Sedona D32023/4000/27W/80/A50	D160xH111mmxØ145mm±1mm	4000	3135	27W	117	50°
245040 Sedona D32023/2700/35W/80/A50	D160xH111mmxØ145mm±1mm	2700	3710	35W	106	50°
245041 Sedona D32023/3000/35W/80/A50	D160xH111mmxØ145mm±1mm	3000	3745	35W	107	50°
245042 Sedona D32023/3500/35W/80/A50	D160xH111mmxØ145mm±1mm	3500	3815	35W	109	50°
245043 Sedona D32023/4000/35W/80/A50	D160xH111mmxØ145mm±1mm	4000	3920	35W	112	50°
245045 Sedona D32023/2700/42W/80/A50	D160xH111mmxØ145mm±1mm	2700	4200	42W	100	50°
245046 Sedona D32023/3000/42W/80/A50	D160xH111mmxØ145mm±1mm	3000	4200	42W	100	50°
245047 Sedona D32023/3500/42W/80/A50	D160xH111mmxØ145mm±1mm	3500	4330	42W	103	50°
245048 Sedona D32023/4000/42W/80/A50	D160xH111mmxØ145mm±1mm	4000	4455	42W	106	50°
245050 Sedona D32024/2700/14W/80/A45	D180xH122mmxØ170mm±1mm	2700	1485	14W	107	45°
245051 Sedona D32024/3000/14W/80/A45	D180xH122mmxØ170mm±1mm	3000	1500	14W	108	45°
245052 Sedona D32024/3500/14W/80/A45	D180xH122mmxØ170mm±1mm	3500	1540	14W	110	45°
245053 Sedona D32024/4000/14W/80/A45	D180xH122mmxØ170mm±1mm	4000	1570	14W	113	45°
245055 Sedona D32024/2700/20W/80/A45	D180xH122mmxØ170mm±1mm	2700	2080	20W	104	45°
245056 Sedona D32024/3000/20W/80/A45	D180xH122mmxØ170mm±1mm	3000	2100	20W	105	45°
245057 Sedona D32024/3500/20W/80/A45	D180xH122mmxØ170mm±1mm	3500	2160	20W	108	45°
245058 Sedona D32024/4000/20W/80/A45	D180xH122mmxØ170mm±1mm	4000	2200	20W	110	45°
245060 Sedona D32024/2700/27W/80/A45	D180xH122mmxØ170mm±1mm	2700	2945	27W	110	45°
245061 Sedona D32024/3000/27W/80/A45	D180xH122mmxØ170mm±1mm	3000	2970	27W	110	45°
245062 Sedona D32024/3500/27W/80/A45	D180xH122mmxØ170mm±1mm	3500	3055	27W	114	45°
245063 Sedona D32024/4000/27W/80/A45	D180xH122mmxØ170mm±1mm	4000	3135	27W	117	45°
245065 Sedona D32024/2700/35W/80/A45	D180xH122mmxØ170mm±1mm	2700	3710	35W	106	45°
245066 Sedona D32024/3000/35W/80/A45	D180xH122mmxØ170mm±1mm	3000	3745	35W	107	45°
245067 Sedona D32024/3500/35W/80/A45	D180xH122mmxØ170mm±1mm	3500	3815	35W	109	45°
245068 Sedona D32024/4000/35W/80/A45	D180xH122mmxØ170mm±1mm	4000	3920	35W	112	45°
245070 Sedona D32024/2700/42W/80/A45	D180xH122mmxØ170mm±1mm	2700	4200	42W	100	45°
245071 Sedona D32024/3000/42W/80/A45	D180xH122mmxØ170mm±1mm	3000	4200	42W	100	45°
245072 Sedona D32024/3500/42W/80/A45	D180xH122mmxØ170mm±1mm	3500	4330	42W	103	45°
245073 Sedona D32024/4000/42W/80/A45	D180xH122mmxØ170mm±1mm	4000	4455	42W	106	45°
245075 Sedona D32025/2700/14W/80/A50	D220xH127mm x Ø200mm-210mm±1mm	2700	1485	14W	107	50°
245076 Sedona D32025/3000/14W/80/A50	D220xH127mm x Ø200mm-210mm±1mm	3000	1500	14W	108	50°
245077 Sedona D32025/3500/14W/80/A50	D220xH127mm x Ø200mm-210mm±1mm	3500	1540	14W	110	50°
245078 Sedona D32025/4000/14W/80/A50	D220xH127mm x Ø200mm-210mm±1mm	4000	1570	14W	113	50°

SKU SPECIFICATIONS

Product Code	Dimensions (mm)	CCT (K)	Lumens (lm)	Power (W)	Eff. (lm/watt)	Lens Angle (°)
<b>CRI 80</b>						
245080 Sedona D32025/2700/20W/80/A50	D220xH127mm x Ø200mm-210mm±1mm	2700	2080	20W	104	50°
245081 Sedona D32025/3000/20W/80/A50	D220xH127mm x Ø200mm-210mm±1mm	3000	2100	20W	105	50°
245082 Sedona D32025/3500/20W/80/A50	D220xH127mm x Ø200mm-210mm±1mm	3500	2160	20W	108	50°
245083 Sedona D32025/4000/20W/80/A50	D220xH127mm x Ø200mm-210mm±1mm	4000	2200	20W	110	50°
245085 Sedona D32025/2700/27W/80/A50	D220xH127mm x Ø200mm-210mm±1mm	2700	2945	27W	110	50°
245086 Sedona D32025/3000/27W/80/A50	D220xH127mm x Ø200mm-210mm±1mm	3000	2970	27W	110	50°
245087 Sedona D32025/3500/27W/80/A50	D220xH127mm x Ø200mm-210mm±1mm	3500	3055	27W	114	50°
245088 Sedona D32025/4000/27W/80/A50	D220xH127mm x Ø200mm-210mm±1mm	4000	3135	27W	117	50°
245090 Sedona D32025/2700/35W/80/A50	D220xH127mm x Ø200mm-210mm±1mm	2700	3710	35W	106	50°
245091 Sedona D32025/3000/35W/80/A50	D220xH127mm x Ø200mm-210mm±1mm	3000	3745	35W	107	50°
245092 Sedona D32025/3500/35W/80/A50	D220xH127mm x Ø200mm-210mm±1mm	3500	3815	35W	109	50°
245093 Sedona D32025/4000/35W/80/A50	D220xH127mm x Ø200mm-210mm±1mm	4000	3920	35W	112	50°
245095 Sedona D32025/2700/42W/80/A50	D220xH127mm x Ø200mm-210mm±1mm	2700	4200	42W	100	50°
245096 Sedona D32025/3000/42W/80/A50	D220xH127mm x Ø200mm-210mm±1mm	3000	4200	42W	100	50°
245097 Sedona D32025/3500/42W/80/A50	D220xH127mm x Ø200mm-210mm±1mm	3500	4330	42W	103	50°
245098 Sedona D32025/4000/42W/80/A50	D220xH127mm x Ø200mm-210mm±1mm	4000	4455	42W	106	50°
245546 Sedona D32020/BVF/14W/80/A20	D124xH101mmxØ115mm±1mm	BVF	1080	14W	77	20°
245547 Sedona D32020/FBS/14W/80/A20	D124xH101mmxØ115mm±1mm	FBS	855	14W	61	20°
245548 Sedona D32020/FZM/14W/80/A20	D124xH101mmxØ115mm±1mm	FZM	800	14W	57	20°
245549 Sedona D32020/FSM/14W/80/A20	D124xH101mmxØ115mm±1mm	FSM	800	14W	57	20°
245550 Sedona D32020/FSH/14W/80/A20	D124xH101mmxØ115mm±1mm	FSH	1180	14W	84	20°
245551 Sedona D32020/BVF/20W/80/A20	D124xH101mmxØ115mm±1mm	BVF	1540	20W	77	20°
245552 Sedona D32020/FBS/20W/80/A20	D124xH101mmxØ115mm±1mm	FBS	1220	20W	61	20°
245553 Sedona D32020/FZM/20W/80/A20	D124xH101mmxØ115mm±1mm	FZM	1140	20W	57	20°
245554 Sedona D32020/FSM/20W/80/A20	D124xH101mmxØ115mm±1mm	FSM	1140	20W	57	20°
245555 Sedona D32020/FSH/20W/80/A20	D124xH101mmxØ115mm±1mm	FSH	1680	20W	84	20°
245556 Sedona D32020/BVF/27W/80/A20	D124xH101mmxØ115mm±1mm	BVF	2065	27W	77	20°
245557 Sedona D32020/FBS/27W/80/A20	D124xH101mmxØ115mm±1mm	FBS	1635	27W	61	20°
245558 Sedona D32020/FZM/27W/80/A20	D124xH101mmxØ115mm±1mm	FZM	1530	27W	57	20°
245559 Sedona D32020/FSM/27W/80/A20	D124xH101mmxØ115mm±1mm	FSM	1530	27W	57	20°
245560 Sedona D32020/FSH/27W/80/A20	D124xH101mmxØ115mm±1mm	FSH	2250	27W	84	20°
245561 Sedona D32020/BVF/35W/80/A20	D124xH101mmxØ115mm±1mm	BVF	2590	35W	74	20°
245562 Sedona D32020/FBS/35W/80/A20	D124xH101mmxØ115mm±1mm	FBS	2115	35W	61	20°
245563 Sedona D32020/FZM/35W/80/A20	D124xH101mmxØ115mm±1mm	FZM	1980	35W	57	20°
245564 Sedona D32020/FSM/35W/80/A20	D124xH101mmxØ115mm±1mm	FSM	1980	35W	57	20°
245565 Sedona D32020/FSH/35W/80/A20	D124xH101mmxØ115mm±1mm	FSH	2755	35W	79	20°
245566 Sedona D32020/BVF/42W/80/A20	D124xH101mmxØ115mm±1mm	BVF	2870	42W	69	20°
245567 Sedona D32020/FBS/42W/80/A20	D124xH101mmxØ115mm±1mm	FBS	2450	42W	59	20°
245568 Sedona D32020/FZM/42W/80/A20	D124xH101mmxØ115mm±1mm	FZM	2325	42W	56	20°
245569 Sedona D32020/FSM/42W/80/A20	D124xH101mmxØ115mm±1mm	FSM	2325	42W	56	20°
245570 Sedona D32020/FSH/42W/80/A20	D124xH101mmxØ115mm±1mm	FSH	3155	42W	76	20°
245571 Sedona D32020/BVF/14W/80/A30	D124xH101mmxØ115mm±1mm	BVF	1080	14W	77	30°
245572 Sedona D32020/FBS/14W/80/A30	D124xH101mmxØ115mm±1mm	FBS	855	14W	61	30°
245573 Sedona D32020/FZM/14W/80/A30	D124xH101mmxØ115mm±1mm	FZM	800	14W	57	30°
245574 Sedona D32020/FSM/14W/80/A30	D124xH101mmxØ115mm±1mm	FSM	800	14W	57	30°
245575 Sedona D32020/FSH/14W/80/A30	D124xH101mmxØ115mm±1mm	FSH	1180	14W	84	30°
245576 Sedona D32020/BVF/20W/80/A30	D124xH101mmxØ115mm±1mm	BVF	1540	20W	77	30°
245577 Sedona D32020/FBS/20W/80/A30	D124xH101mmxØ115mm±1mm	FBS	1220	20W	61	30°
245578 Sedona D32020/FZM/20W/80/A30	D124xH101mmxØ115mm±1mm	FZM	1140	20W	57	30°
245579 Sedona D32020/FSM/20W/80/A30	D124xH101mmxØ115mm±1mm	FSM	1140	20W	57	30°
245580 Sedona D32020/FSH/20W/80/A30	D124xH101mmxØ115mm±1mm	FSH	1680	20W	84	30°
245581 Sedona D32020/BVF/27W/80/A30	D124xH101mmxØ115mm±1mm	BVF	2065	27W	77	30°

SKU SPECIFICATIONS

Product Code	Dimensions (mm)	CCT (K)	Lumens (lm)	Power (W)	Eff. (lm/watt)	Lens Angle (°)
<b>CRI 80</b>						
245582 Sedona D32020/FBS/27W/80/A30	D124xH101mmxØ115mm±1mm	FBS	1635	27W	61	30°
245583 Sedona D32020/FZM/27W/80/A30	D124xH101mmxØ115mm±1mm	FZM	1530	27W	57	30°
245584 Sedona D32020/FSM/27W/80/A30	D124xH101mmxØ115mm±1mm	FSM	1530	27W	57	30°
245585 Sedona D32020/FSH/27W/80/A30	D124xH101mmxØ115mm±1mm	FSH	2250	27W	84	30°
245586 Sedona D32020/BVF/35W/80/A30	D124xH101mmxØ115mm±1mm	BVF	2590	35W	74	30°
245587 Sedona D32020/FBS/35W/80/A30	D124xH101mmxØ115mm±1mm	FBS	2115	35W	61	30°
245588 Sedona D32020/FZM/35W/80/A30	D124xH101mmxØ115mm±1mm	FZM	1980	35W	57	30°
245589 Sedona D32020/FSM/35W/80/A30	D124xH101mmxØ115mm±1mm	FSM	1980	35W	57	30°
245590 Sedona D32020/FSH/35W/80/A30	D124xH101mmxØ115mm±1mm	FSH	2755	35W	79	30°
245591 Sedona D32020/BVF/42W/80/A30	D124xH101mmxØ115mm±1mm	BVF	2870	42W	69	30°
245592 Sedona D32020/FBS/42W/80/A30	D124xH101mmxØ115mm±1mm	FBS	2450	42W	59	30°
245593 Sedona D32020/FZM/42W/80/A30	D124xH101mmxØ115mm±1mm	FZM	2325	42W	56	30°
245594 Sedona D32020/FSM/42W/80/A30	D124xH101mmxØ115mm±1mm	FSM	2325	42W	56	30°
245595 Sedona D32020/FSH/42W/80/A30	D124xH101mmxØ115mm±1mm	FSH	3155	42W	76	30°
245456 Sedona D32020/BVF/14W/80/A50	D124xH101mmxØ115mm±1mm	BVF	1080	14W	77	50°
245457 Sedona D32020/FBS/14W/80/A50	D124xH101mmxØ115mm±1mm	FBS	855	14W	61	50°
245458 Sedona D32020/FZM/14W/80/A50	D124xH101mmxØ115mm±1mm	FZM	800	14W	57	50°
245459 Sedona D32020/FSM/14W/80/A50	D124xH101mmxØ115mm±1mm	FSM	800	14W	57	50°
245460 Sedona D32020/FSH/14W/80/A50	D124xH101mmxØ115mm±1mm	FSH	1180	14W	84	50°
245461 Sedona D32020/BVF/20W/80/A50	D124xH101mmxØ115mm±1mm	BVF	1540	20W	77	50°
245462 Sedona D32020/FBS/20W/80/A50	D124xH101mmxØ115mm±1mm	FBS	1220	20W	61	50°
245463 Sedona D32020/FZM/20W/80/A50	D124xH101mmxØ115mm±1mm	FZM	1140	20W	57	50°
245464 Sedona D32020/FSM/20W/80/A50	D124xH101mmxØ115mm±1mm	FSM	1140	20W	57	50°
245465 Sedona D32020/FSH/20W/80/A50	D124xH101mmxØ115mm±1mm	FSH	1680	20W	84	50°
245100 Sedona D32020/BVF/27W/80/A50	D124xH101mmxØ115mm±1mm	BVF	2065	27W	77	50°
245101 Sedona D32020/FBS/27W/80/A50	D124xH101mmxØ115mm±1mm	FBS	1635	27W	61	50°
245102 Sedona D32020/FZM/27W/80/A50	D124xH101mmxØ115mm±1mm	FZM	1530	27W	57	50°
245103 Sedona D32020/FSM/27W/80/A50	D124xH101mmxØ115mm±1mm	FSM	1530	27W	57	50°
245104 Sedona D32020/FSH/27W/80/A50	D124xH101mmxØ115mm±1mm	FSH	2250	27W	84	50°
245105 Sedona D32020/BVF/35W/80/A50	D124xH101mmxØ115mm±1mm	BVF	2590	35W	74	50°
245106 Sedona D32020/FBS/35W/80/A50	D124xH101mmxØ115mm±1mm	FBS	2115	35W	61	50°
245107 Sedona D32020/FZM/35W/80/A50	D124xH101mmxØ115mm±1mm	FZM	1980	35W	57	50°
245108 Sedona D32020/FSM/35W/80/A50	D124xH101mmxØ115mm±1mm	FSM	1980	35W	57	50°
245109 Sedona D32020/FSH/35W/80/A50	D124xH101mmxØ115mm±1mm	FSH	2755	35W	79	50°
245110 Sedona D32020/BVF/42W/80/A50	D124xH101mmxØ115mm±1mm	BVF	2870	42W	69	50°
245111 Sedona D32020/FBS/42W/80/A50	D124xH101mmxØ115mm±1mm	FBS	2450	42W	59	50°
245112 Sedona D32020/FZM/42W/80/A50	D124xH101mmxØ115mm±1mm	FZM	2325	42W	56	50°
245113 Sedona D32020/FSM/42W/80/A50	D124xH101mmxØ115mm±1mm	FSM	2325	42W	56	50°
245114 Sedona D32020/FSH/42W/80/A50	D124xH101mmxØ115mm±1mm	FSH	3155	42W	76	50°
245466 Sedona D32023/BVF/14W/80/A50	D160xH111mmxØ145mm±1mm	BVF	1080	14W	77	50°
245467 Sedona D32023/FBS/14W/80/A50	D160xH111mmxØ145mm±1mm	FBS	855	14W	61	50°
245468 Sedona D32023/FZM/14W/80/A50	D160xH111mmxØ145mm±1mm	FZM	800	14W	57	50°
245469 Sedona D32023/FSM/14W/80/A50	D160xH111mmxØ145mm±1mm	FSM	800	14W	57	50°
245470 Sedona D32023/FSH/14W/80/A50	D160xH111mmxØ145mm±1mm	FSH	1180	14W	84	50°
245471 Sedona D32023/BVF/20W/80/A50	D160xH111mmxØ145mm±1mm	BVF	1540	20W	77	50°
245472 Sedona D32023/FBS/20W/80/A50	D160xH111mmxØ145mm±1mm	FBS	1220	20W	61	50°
245473 Sedona D32023/FZM/20W/80/A50	D160xH111mmxØ145mm±1mm	FZM	1140	20W	57	50°
245474 Sedona D32023/FSM/20W/80/A50	D160xH111mmxØ145mm±1mm	FSM	1140	20W	57	50°
245475 Sedona D32023/FSH/20W/80/A50	D160xH111mmxØ145mm±1mm	FSH	1680	20W	84	50°
245115 Sedona D32023/BVF/27W/80/A50	D160xH111mmxØ145mm±1mm	BVF	2065	27W	77	50°
245116 Sedona D32023/FBS/27W/80/A50	D160xH111mmxØ145mm±1mm	FBS	1635	27W	61	50°
245117 Sedona D32023/FZM/27W/80/A50	D160xH111mmxØ145mm±1mm	FZM	1530	27W	57	50°

SKU SPECIFICATIONS

Product Code	Dimensions (mm)	CCT (K)	Lumens (lm)	Power (W)	Eff. (lm/watt)	Lens Angle (°)
<b>CRI 80</b>						
245118 Sedona D32023/FSM/27W/80/A50	D160xH111mmxØ145mm±1mm	FSM	1530	27W	57	50°
245119 Sedona D32023/FSH/27W/80/A50	D160xH111mmxØ145mm±1mm	FSH	2250	27W	84	50°
245120 Sedona D32023/BVF/35W/80/A50	D160xH111mmxØ145mm±1mm	BVF	2590	35W	74	50°
245121 Sedona D32023/FBS/35W/80/A50	D160xH111mmxØ145mm±1mm	FBS	2115	35W	61	50°
245122 Sedona D32023/FZM/35W/80/A50	D160xH111mmxØ145mm±1mm	FZM	1980	35W	57	50°
245123 Sedona D32023/FSM/35W/80/A50	D160xH111mmxØ145mm±1mm	FSM	1980	35W	57	50°
245124 Sedona D32023/FSH/35W/80/A50	D160xH111mmxØ145mm±1mm	FSH	2755	35W	79	50°
245125 Sedona D32023/BVF/42W/80/A50	D160xH111mmxØ145mm±1mm	BVF	2870	42W	69	50°
245126 Sedona D32023/FBS/42W/80/A50	D160xH111mmxØ145mm±1mm	FBS	2450	42W	59	50°
245127 Sedona D32023/FZM/42W/80/A50	D160xH111mmxØ145mm±1mm	FZM	2325	42W	56	50°
245128 Sedona D32023/FSM/42W/80/A50	D160xH111mmxØ145mm±1mm	FSM	2325	42W	56	50°
245129 Sedona D32023/FSH/42W/80/A50	D160xH111mmxØ145mm±1mm	FSH	3155	42W	76	50°
245476 Sedona D32024/BVF/14W/80/A45	D180xH122mmxØ170mm±1mm	BVF	1080	14W	77	45°
245477 Sedona D32024/FBS/14W/80/A45	D180xH122mmxØ170mm±1mm	FBS	855	14W	61	45°
245478 Sedona D32024/FZM/14W/80/A45	D180xH122mmxØ170mm±1mm	FZM	800	14W	57	45°
245479 Sedona D32024/FSM/14W/80/A45	D180xH122mmxØ170mm±1mm	FSM	800	14W	57	45°
245480 Sedona D32024/FSH/14W/80/A45	D180xH122mmxØ170mm±1mm	FSH	1180	14W	84	45°
245481 Sedona D32024/BVF/20W/80/A45	D180xH122mmxØ170mm±1mm	BVF	1540	20W	77	45°
245482 Sedona D32024/FBS/20W/80/A45	D180xH122mmxØ170mm±1mm	FBS	1220	20W	61	45°
245483 Sedona D32024/FZM/20W/80/A45	D180xH122mmxØ170mm±1mm	FZM	1140	20W	57	45°
245484 Sedona D32024/FSM/20W/80/A45	D180xH122mmxØ170mm±1mm	FSM	1140	20W	57	45°
245485 Sedona D32024/FSH/20W/80/A45	D180xH122mmxØ170mm±1mm	FSH	1680	20W	84	45°
245130 Sedona D32024/BVF/27W/80/A45	D180xH122mmxØ170mm±1mm	BVF	2065	27W	77	45°
245131 Sedona D32024/FBS/27W/80/A45	D180xH122mmxØ170mm±1mm	FBS	1635	27W	61	45°
245132 Sedona D32024/FZM/27W/80/A45	D180xH122mmxØ170mm±1mm	FZM	1530	27W	57	45°
245133 Sedona D32024/FSM/27W/80/A45	D180xH122mmxØ170mm±1mm	FSM	1530	27W	57	45°
245134 Sedona D32024/FSH/27W/80/A45	D180xH122mmxØ170mm±1mm	FSH	2250	27W	84	45°
245135 Sedona D32024/BVF/35W/80/A45	D180xH122mmxØ170mm±1mm	BVF	2590	35W	74	45°
245136 Sedona D32024/FBS/35W/80/A45	D180xH122mmxØ170mm±1mm	FBS	2115	35W	61	45°
245137 Sedona D32024/FZM/35W/80/A45	D180xH122mmxØ170mm±1mm	FZM	1980	35W	57	45°
245138 Sedona D32024/FSM/35W/80/A45	D180xH122mmxØ170mm±1mm	FSM	1980	35W	57	45°
245139 Sedona D32024/FSH/35W/80/A45	D180xH122mmxØ170mm±1mm	FSH	2755	35W	79	45°
245140 Sedona D32024/BVF/42W/80/A45	D180xH122mmxØ170mm±1mm	BVF	2870	42W	69	45°
245141 Sedona D32024/FBS/42W/80/A45	D180xH122mmxØ170mm±1mm	FBS	2450	42W	59	45°
245142 Sedona D32024/FZM/42W/80/A45	D180xH122mmxØ170mm±1mm	FZM	2325	42W	56	45°
245143 Sedona D32024/FSM/42W/80/A45	D180xH122mmxØ170mm±1mm	FSM	2325	42W	56	45°
245144 Sedona D32024/FSH/42W/80/A45	D180xH122mmxØ170mm±1mm	FSH	3155	42W	76	45°
245486 Sedona D32025/BVF/14W/80/A50	D220xH127mm x Ø200mm-210mm±1mm	BVF	1080	14W	77	50°
245487 Sedona D32025/FBS/14W/80/A50	D220xH127mm x Ø200mm-210mm±1mm	FBS	855	14W	61	50°
245488 Sedona D32025/FZM/14W/80/A50	D220xH127mm x Ø200mm-210mm±1mm	FZM	800	14W	57	50°
245489 Sedona D32025/FSM/14W/80/A50	D220xH127mm x Ø200mm-210mm±1mm	FSM	800	14W	57	50°
245490 Sedona D32025/FSH/14W/80/A50	D220xH127mm x Ø200mm-210mm±1mm	FSH	1180	14W	84	50°
245491 Sedona D32025/BVF/20W/80/A50	D220xH127mm x Ø200mm-210mm±1mm	BVF	1540	20W	77	50°
245492 Sedona D32025/FBS/20W/80/A50	D220xH127mm x Ø200mm-210mm±1mm	FBS	1220	20W	61	50°
245493 Sedona D32025/FZM/20W/80/A50	D220xH127mm x Ø200mm-210mm±1mm	FZM	1140	20W	57	50°
245494 Sedona D32025/FSM/20W/80/A50	D220xH127mm x Ø200mm-210mm±1mm	FSM	1140	20W	57	50°
245495 Sedona D32025/FSH/20W/80/A50	D220xH127mm x Ø200mm-210mm±1mm	FSH	1680	20W	84	50°
245145 Sedona D32025/BVF/27W/80/A50	D220xH127mm x Ø200mm-210mm±1mm	BVF	2065	27W	77	50°
245146 Sedona D32025/FBS/27W/80/A50	D220xH127mm x Ø200mm-210mm±1mm	FBS	1635	27W	61	50°
245147 Sedona D32025/FZM/27W/80/A50	D220xH127mm x Ø200mm-210mm±1mm	FZM	1530	27W	57	50°
245148 Sedona D32025/FSM/27W/80/A50	D220xH127mm x Ø200mm-210mm±1mm	FSM	1530	27W	57	50°
245149 Sedona D32025/FSH/27W/80/A50	D220xH127mm x Ø200mm-210mm±1mm	FSH	2250	27W	84	50°



SKU SPECIFICATIONS

Product Code	Dimensions (mm)	CCT (K)	Lumens (lm)	Power (W)	Eff. (lm/watt)	Lens Angle (°)
<b>CRI 80</b>						
245150 Sedona D32025/BVF/35W/80/A50	D220xH127mm x Ø200mm-210mm±1mm	BVF	2590	35W	74	50°
245151 Sedona D32025/FBS/35W/80/A50	D220xH127mm x Ø200mm-210mm±1mm	FBS	2115	35W	61	50°
245152 Sedona D32025/FZM/35W/80/A50	D220xH127mm x Ø200mm-210mm±1mm	FZM	1980	35W	57	50°
245153 Sedona D32025/FSM/35W/80/A50	D220xH127mm x Ø200mm-210mm±1mm	FSM	1980	35W	57	50°
245154 Sedona D32025/FSH/35W/80/A50	D220xH127mm x Ø200mm-210mm±1mm	FSH	2755	35W	79	50°
245155 Sedona D32025/BVF/42W/80/A50	D220xH127mm x Ø200mm-210mm±1mm	BVF	2870	42W	69	50°
245156 Sedona D32025/FBS/42W/80/A50	D220xH127mm x Ø200mm-210mm±1mm	FBS	2450	42W	59	50°
245157 Sedona D32025/FZM/42W/80/A50	D220xH127mm x Ø200mm-210mm±1mm	FZM	2325	42W	56	50°
245158 Sedona D32025/FSM/42W/80/A50	D220xH127mm x Ø200mm-210mm±1mm	FSM	2325	42W	56	50°
245159 Sedona D32025/FSH/42W/80/A50	D220xH127mm x Ø200mm-210mm±1mm	FSH	3155	42W	76	50°
245744 Sedona D32020/AMB2200/14W/80/A20	D124xH101mmxØ115mm±1mm	AMB2200	1020	14W	73	20°
245745 Sedona D32020/AMB2200/14W/80/A30	D124xH101mmxØ115mm±1mm	AMB2200	1020	14W	73	30°
245746 Sedona D32020/AMB2200/14W/80/A50	D124xH101mmxØ115mm±1mm	AMB2200	1020	14W	73	50°
245747 Sedona D32020/AMB2200/20W/80/A20	D124xH101mmxØ115mm±1mm	AMB2200	1410	20W	71	20°
245748 Sedona D32020/AMB2200/20W/80/A30	D124xH101mmxØ115mm±1mm	AMB2200	1410	20W	71	30°
245749 Sedona D32020/AMB2200/20W/80/A50	D124xH101mmxØ115mm±1mm	AMB2200	1410	20W	71	50°
245750 Sedona D32020/AMB2200/27W/80/A20	D124xH101mmxØ115mm±1mm	AMB2200	1870	27W	70	20°
245751 Sedona D32020/AMB2200/27W/80/A30	D124xH101mmxØ115mm±1mm	AMB2200	1870	27W	70	30°
245752 Sedona D32020/AMB2200/27W/80/A50	D124xH101mmxØ115mm±1mm	AMB2200	1870	27W	70	50°
245753 Sedona D32020/AMB2200/35W/80/A20	D124xH101mmxØ115mm±1mm	AMB2200	2585	35W	74	20°
245754 Sedona D32020/AMB2200/35W/80/A30	D124xH101mmxØ115mm±1mm	AMB2200	2585	35W	74	30°
245755 Sedona D32020/AMB2200/35W/80/A50	D124xH101mmxØ115mm±1mm	AMB2200	2585	35W	74	50°
245756 Sedona D32020/AMB2200/42W/80/A20	D124xH101mmxØ115mm±1mm	AMB2200	2930	42W	70	20°
245757 Sedona D32020/AMB2200/42W/80/A30	D124xH101mmxØ115mm±1mm	AMB2200	2930	42W	70	30°
245758 Sedona D32020/AMB2200/42W/80/A50	D124xH101mmxØ115mm±1mm	AMB2200	2930	42W	70	50°
245759 Sedona D32023/AMB2200/14W/80/A50	D160xH111mmxØ145mm±1mm	AMB2200	1020	14W	73	50°
245760 Sedona D32023/AMB2200/20W/80/A50	D160xH111mmxØ145mm±1mm	AMB2200	1410	20W	71	50°
245761 Sedona D32023/AMB2200/27W/80/A50	D160xH111mmxØ145mm±1mm	AMB2200	1870	27W	70	50°
245762 Sedona D32023/AMB2200/35W/80/A50	D160xH111mmxØ145mm±1mm	AMB2200	2585	35W	74	50°
245763 Sedona D32023/AMB2200/42W/80/A50	D160xH111mmxØ145mm±1mm	AMB2200	2930	42W	70	50°
245764 Sedona D32024/AMB2200/14W/80/A45	D180xH122mmxØ170mm±1mm	AMB2200	1020	14W	73	45°
245765 Sedona D32024/AMB2200/20W/80/A45	D180xH122mmxØ170mm±1mm	AMB2200	1410	20W	71	45°
245766 Sedona D32024/AMB2200/27W/80/A45	D180xH122mmxØ170mm±1mm	AMB2200	1870	27W	70	45°
245767 Sedona D32024/AMB2200/35W/80/A45	D180xH122mmxØ170mm±1mm	AMB2200	2585	35W	74	45°
245768 Sedona D32024/AMB2200/42W/80/A45	D180xH122mmxØ170mm±1mm	AMB2200	2930	42W	70	45°
245769 Sedona D32025/AMB2200/14W/80/A50	D220xH127mm x Ø200mm-210mm±1mm	AMB2200	1020	14W	73	50°
245770 Sedona D32025/AMB2200/20W/80/A50	D220xH127mm x Ø200mm-210mm±1mm	AMB2200	1410	20W	71	50°
245771 Sedona D32025/AMB2200/27W/80/A50	D220xH127mm x Ø200mm-210mm±1mm	AMB2200	1870	27W	70	50°
245772 Sedona D32025/AMB2200/35W/80/A50	D220xH127mm x Ø200mm-210mm±1mm	AMB2200	2585	35W	74	50°
245773 Sedona D32025/AMB2200/42W/80/A50	D220xH127mm x Ø200mm-210mm±1mm	AMB2200	2930	42W	70	50°
<b>CRI 93</b>						
245714 Sedona D32020/AGI3000/12W/93/A20	D124xH101mmxØ115mm±1mm	AGI3000	735	12W	62	20°
245715 Sedona D32020/AGI3500/12W/93/A20	D124xH101mmxØ115mm±1mm	AGI3500	780	12W	65	20°
245716 Sedona D32020/AGI4000/12W/93/A20	D124xH101mmxØ115mm±1mm	AGI4000	830	12W	70	20°
245717 Sedona D32020/AGI3000/17W/93/A20	D124xH101mmxØ115mm±1mm	AGI3000	985	17W	58	20°
245718 Sedona D32020/AGI3500/17W/93/A20	D124xH101mmxØ115mm±1mm	AGI3500	1050	17W	62	20°
245719 Sedona D32020/AGI4000/17W/93/A20	D124xH101mmxØ115mm±1mm	AGI4000	1115	17W	66	20°
245720 Sedona D32020/AGI3000/23W/93/A20	D124xH101mmxØ115mm±1mm	AGI3000	1330	23W	58	20°
245721 Sedona D32020/AGI3500/23W/93/A20	D124xH101mmxØ115mm±1mm	AGI3500	1440	23W	63	20°
245722 Sedona D32020/AGI4000/23W/93/A20	D124xH101mmxØ115mm±1mm	AGI4000	1550	23W	68	20°
245723 Sedona D32020/AGI3000/29W/93/A20	D124xH101mmxØ115mm±1mm	AGI3000	1680	29W	58	20°

SKU SPECIFICATIONS

Product Code	Dimensions (mm)	CCT (K)	Lumens (lm)	Power (W)	Eff. (lm/watt)	Lens Angle (°)
<b>CRI 93</b>						
245724 Sedona D32020/AGI3500/29W/93/A20	D124xH101mmxØ115mm±1mm	AGI3500	1820	29W	63	20°
245725 Sedona D32020/AGI4000/29W/93/A20	D124xH101mmxØ115mm±1mm	AGI4000	1960	29W	68	20°
245726 Sedona D32020/AGI3000/34W/93/A20	D124xH101mmxØ115mm±1mm	AGI3000	1900	34W	56	20°
245727 Sedona D32020/AGI3500/34W/93/A20	D124xH101mmxØ115mm±1mm	AGI3500	1995	34W	59	20°
245728 Sedona D32020/AGI4000/34W/93/A20	D124xH101mmxØ115mm±1mm	AGI4000	2095	34W	62	20°
245729 Sedona D32020/AGI3000/12W/93/A30	D124xH101mmxØ115mm±1mm	AGI3000	735	12W	62	30°
245730 Sedona D32020/AGI3500/12W/93/A30	D124xH101mmxØ115mm±1mm	AGI3500	780	12W	65	30°
245731 Sedona D32020/AGI4000/12W/93/A30	D124xH101mmxØ115mm±1mm	AGI4000	830	12W	70	30°
245732 Sedona D32020/AGI3000/17W/93/A30	D124xH101mmxØ115mm±1mm	AGI3000	985	17W	58	30°
245733 Sedona D32020/AGI3500/17W/93/A30	D124xH101mmxØ115mm±1mm	AGI3500	1050	17W	62	30°
245734 Sedona D32020/AGI4000/17W/93/A30	D124xH101mmxØ115mm±1mm	AGI4000	1115	17W	66	30°
245735 Sedona D32020/AGI3000/23W/93/A30	D124xH101mmxØ115mm±1mm	AGI3000	1330	23W	58	30°
245736 Sedona D32020/AGI3500/23W/93/A30	D124xH101mmxØ115mm±1mm	AGI3500	1440	23W	63	30°
245737 Sedona D32020/AGI4000/23W/93/A30	D124xH101mmxØ115mm±1mm	AGI4000	1550	23W	68	30°
245738 Sedona D32020/AGI3000/29W/93/A30	D124xH101mmxØ115mm±1mm	AGI3000	1680	29W	58	30°
245739 Sedona D32020/AGI3500/29W/93/A30	D124xH101mmxØ115mm±1mm	AGI3500	1820	29W	63	30°
245740 Sedona D32020/AGI4000/29W/93/A30	D124xH101mmxØ115mm±1mm	AGI4000	1960	29W	68	30°
245741 Sedona D32020/AGI3000/34W/93/A30	D124xH101mmxØ115mm±1mm	AGI3000	1900	34W	56	30°
245742 Sedona D32020/AGI3500/34W/93/A30	D124xH101mmxØ115mm±1mm	AGI3500	1995	34W	59	30°
245743 Sedona D32020/AGI4000/34W/93/A30	D124xH101mmxØ115mm±1mm	AGI4000	2095	34W	62	30°
245396 Sedona D32020/AGI3000/12W/93/A50	D124xH101mmxØ115mm±1mm	AGI3000	735	12W	62	50°
245397 Sedona D32020/AGI3500/12W/93/A50	D124xH101mmxØ115mm±1mm	AGI3500	780	12W	65	50°
245398 Sedona D32020/AGI4000/12W/93/A50	D124xH101mmxØ115mm±1mm	AGI4000	830	12W	70	50°
245399 Sedona D32020/AGI3000/17W/93/A50	D124xH101mmxØ115mm±1mm	AGI3000	985	17W	58	50°
245400 Sedona D32020/AGI3500/17W/93/A50	D124xH101mmxØ115mm±1mm	AGI3500	1050	17W	62	50°
245401 Sedona D32020/AGI4000/17W/93/A50	D124xH101mmxØ115mm±1mm	AGI4000	1115	17W	66	50°
245402 Sedona D32020/AGI3000/23W/93/A50	D124xH101mmxØ115mm±1mm	AGI3000	1330	23W	58	50°
245403 Sedona D32020/AGI3500/23W/93/A50	D124xH101mmxØ115mm±1mm	AGI3500	1440	23W	63	50°
245404 Sedona D32020/AGI4000/23W/93/A50	D124xH101mmxØ115mm±1mm	AGI4000	1550	23W	68	50°
245405 Sedona D32020/AGI3000/29W/93/A50	D124xH101mmxØ115mm±1mm	AGI3000	1680	29W	58	50°
245406 Sedona D32020/AGI3500/29W/93/A50	D124xH101mmxØ115mm±1mm	AGI3500	1820	29W	63	50°
245407 Sedona D32020/AGI4000/29W/93/A50	D124xH101mmxØ115mm±1mm	AGI4000	1960	29W	68	50°
245408 Sedona D32020/AGI3000/34W/93/A50	D124xH101mmxØ115mm±1mm	AGI3000	1900	34W	56	50°
245409 Sedona D32020/AGI3500/34W/93/A50	D124xH101mmxØ115mm±1mm	AGI3500	1995	34W	59	50°
245410 Sedona D32020/AGI4000/34W/93/A50	D124xH101mmxØ115mm±1mm	AGI4000	2095	34W	62	50°
245411 Sedona D32023/AGI3000/12W/93/A50	D160xH111mmxØ145mm±1mm	AGI3000	735	12W	62	50°
245412 Sedona D32023/AGI3500/12W/93/A50	D160xH111mmxØ145mm±1mm	AGI3500	780	12W	65	50°
245413 Sedona D32023/AGI4000/12W/93/A50	D160xH111mmxØ145mm±1mm	AGI4000	830	12W	70	50°
245414 Sedona D32023/AGI3000/17W/93/A50	D160xH111mmxØ145mm±1mm	AGI3000	985	17W	58	50°
245415 Sedona D32023/AGI3500/17W/93/A50	D160xH111mmxØ145mm±1mm	AGI3500	1050	17W	62	50°
245416 Sedona D32023/AGI4000/17W/93/A50	D160xH111mmxØ145mm±1mm	AGI4000	1115	17W	66	50°
245417 Sedona D32023/AGI3000/23W/93/A50	D160xH111mmxØ145mm±1mm	AGI3000	1330	23W	58	50°
245418 Sedona D32023/AGI3500/23W/93/A50	D160xH111mmxØ145mm±1mm	AGI3500	1440	23W	63	50°
245419 Sedona D32023/AGI4000/23W/93/A50	D160xH111mmxØ145mm±1mm	AGI4000	1550	23W	68	50°
245420 Sedona D32023/AGI3000/29W/93/A50	D160xH111mmxØ145mm±1mm	AGI3000	1680	29W	58	50°
245421 Sedona D32023/AGI3500/29W/93/A50	D160xH111mmxØ145mm±1mm	AGI3500	1820	29W	63	50°
245422 Sedona D32023/AGI4000/29W/93/A50	D160xH111mmxØ145mm±1mm	AGI4000	1960	29W	68	50°
245423 Sedona D32023/AGI3000/34W/93/A50	D160xH111mmxØ145mm±1mm	AGI3000	1900	34W	56	50°
245424 Sedona D32023/AGI3500/34W/93/A50	D160xH111mmxØ145mm±1mm	AGI3500	1995	34W	59	50°
245425 Sedona D32023/AGI4000/34W/93/A50	D160xH111mmxØ145mm±1mm	AGI4000	2095	34W	62	50°
245426 Sedona D32024/AGI3000/12W/93/A45	D180xH122mmxØ170mm±1mm	AGI3000	735	12W	62	45°
245427 Sedona D32024/AGI3500/12W/93/A45	D180xH122mmxØ170mm±1mm	AGI3500	780	12W	65	45°

SKU SPECIFICATIONS

Product Code	Dimensions (mm)	CCT (K)	Lumens (lm)	Power (W)	Eff. (lm/watt)	Lens Angle (°)
<b>CRI 93</b>						
245428 Sedona D32024/AGI4000/12W/93/A45	D180xH122mmxØ170mm±1mm	AGI4000	830	12W	70	45°
245429 Sedona D32024/AGI3000/17W/93/A45	D180xH122mmxØ170mm±1mm	AGI3000	985	17W	58	45°
245430 Sedona D32024/AGI3500/17W/93/A45	D180xH122mmxØ170mm±1mm	AGI3500	1050	17W	62	45°
245431 Sedona D32024/AGI4000/17W/93/A45	D180xH122mmxØ170mm±1mm	AGI4000	1115	17W	66	45°
245432 Sedona D32024/AGI3000/23W/93/A45	D180xH122mmxØ170mm±1mm	AGI3000	1330	23W	58	45°
245433 Sedona D32024/AGI3500/23W/93/A45	D180xH122mmxØ170mm±1mm	AGI3500	1440	23W	63	45°
245434 Sedona D32024/AGI4000/23W/93/A45	D180xH122mmxØ170mm±1mm	AGI4000	1550	23W	68	45°
245435 Sedona D32024/AGI3000/29W/93/A45	D180xH122mmxØ170mm±1mm	AGI3000	1680	29W	58	45°
245436 Sedona D32024/AGI3500/29W/93/A45	D180xH122mmxØ170mm±1mm	AGI3500	1820	29W	63	45°
245437 Sedona D32024/AGI4000/29W/93/A45	D180xH122mmxØ170mm±1mm	AGI4000	1960	29W	68	45°
245438 Sedona D32024/AGI3000/34W/93/A45	D180xH122mmxØ170mm±1mm	AGI3000	1900	34W	56	45°
245439 Sedona D32024/AGI3500/34W/93/A45	D180xH122mmxØ170mm±1mm	AGI3500	1995	34W	59	45°
245440 Sedona D32024/AGI4000/34W/93/A45	D180xH122mmxØ170mm±1mm	AGI4000	2095	34W	62	45°
245441 Sedona D32025/AGI3000/12W/93/A50	D220xH127mm x Ø200mm-210mm±1mm	AGI3000	735	12W	62	50°
245442 Sedona D32025/AGI3500/12W/93/A50	D220xH127mm x Ø200mm-210mm±1mm	AGI3500	780	12W	65	50°
245443 Sedona D32025/AGI4000/12W/93/A50	D220xH127mm x Ø200mm-210mm±1mm	AGI4000	830	12W	70	50°
245444 Sedona D32025/AGI3000/17W/93/A50	D220xH127mm x Ø200mm-210mm±1mm	AGI3000	985	17W	58	50°
245445 Sedona D32025/AGI3500/17W/93/A50	D220xH127mm x Ø200mm-210mm±1mm	AGI3500	1050	17W	62	50°
245446 Sedona D32025/AGI4000/17W/93/A50	D220xH127mm x Ø200mm-210mm±1mm	AGI4000	1115	17W	66	50°
245447 Sedona D32025/AGI3000/23W/93/A50	D220xH127mm x Ø200mm-210mm±1mm	AGI3000	1330	23W	58	50°
245448 Sedona D32025/AGI3500/23W/93/A50	D220xH127mm x Ø200mm-210mm±1mm	AGI3500	1440	23W	63	50°
245449 Sedona D32025/AGI4000/23W/93/A50	D220xH127mm x Ø200mm-210mm±1mm	AGI4000	1550	23W	68	50°
245450 Sedona D32025/AGI3000/29W/93/A50	D220xH127mm x Ø200mm-210mm±1mm	AGI3000	1680	29W	58	50°
245451 Sedona D32025/AGI3500/29W/93/A50	D220xH127mm x Ø200mm-210mm±1mm	AGI3500	1820	29W	63	50°
245452 Sedona D32025/AGI4000/29W/93/A50	D220xH127mm x Ø200mm-210mm±1mm	AGI4000	1960	29W	68	50°
245453 Sedona D32025/AGI3000/34W/93/A50	D220xH127mm x Ø200mm-210mm±1mm	AGI3000	1900	34W	56	50°
245454 Sedona D32025/AGI3500/34W/93/A50	D220xH127mm x Ø200mm-210mm±1mm	AGI3500	1995	34W	59	50°
245455 Sedona D32025/AGI4000/34W/93/A50	D220xH127mm x Ø200mm-210mm±1mm	AGI4000	2095	34W	62	50°
<b>CRI 95</b>						
245596 Sedona D32020/FAS/27W/95/A20	D124xH101mmxØ115mm±1mm	FAS	2080	27W	78	20°
245597 Sedona D32020/FAS/35W/95/A20	D124xH101mmxØ115mm±1mm	FAS	2535	35W	73	20°
245598 Sedona D32020/FAS/42W/95/A20	D124xH101mmxØ115mm±1mm	FAS	2930	42W	70	20°
245599 Sedona D32020/FAS/27W/95/A30	D124xH101mmxØ115mm±1mm	FAS	2080	27W	78	30°
245600 Sedona D32020/FAS/35W/95/A30	D124xH101mmxØ115mm±1mm	FAS	2535	35W	73	30°
245601 Sedona D32020/FAS/42W/95/A30	D124xH101mmxØ115mm±1mm	FAS	2930	42W	70	30°
245160 Sedona D32020/FAS/27W/95/A50	D124xH101mmxØ115mm±1mm	FAS	2080	27W	78	50°
245161 Sedona D32020/FAS/35W/95/A50	D124xH101mmxØ115mm±1mm	FAS	2535	35W	73	50°
245162 Sedona D32020/FAS/42W/95/A50	D124xH101mmxØ115mm±1mm	FAS	2930	42W	70	50°
245163 Sedona D32023/FAS/27W/95/A50	D160xH111mmxØ145mm±1mm	FAS	2080	27W	78	50°
245164 Sedona D32023/FAS/35W/95/A50	D160xH111mmxØ145mm±1mm	FAS	2535	35W	73	50°
245165 Sedona D32023/FAS/42W/95/A50	D160xH111mmxØ145mm±1mm	FAS	2930	42W	70	50°
245166 Sedona D32024/FAS/27W/95/A45	D180xH122mmxØ170mm±1mm	FAS	2080	27W	78	45°
245167 Sedona D32024/FAS/35W/95/A45	D180xH122mmxØ170mm±1mm	FAS	2535	35W	73	45°
245168 Sedona D32024/FAS/42W/95/A45	D180xH122mmxØ170mm±1mm	FAS	2930	42W	70	45°
245169 Sedona D32025/FAS/27W/95/A50	D220xH127mm x Ø200mm-210mm±1mm	FAS	2080	27W	78	50°
245170 Sedona D32025/FAS/35W/95/A50	D220xH127mm x Ø200mm-210mm±1mm	FAS	2535	35W	73	50°
245171 Sedona D32025/FAS/42W/95/A50	D220xH127mm x Ø200mm-210mm±1mm	FAS	2930	42W	70	50°
<b>CRI 98</b>						
245608 Sedona D32020/ART3000/27W/98/A20	D124xH101mmxØ115mm±1mm	ART3000	1995	27W	74	20°
245609 Sedona D32020/ART3000/35W/98/A20	D124xH101mmxØ115mm±1mm	ART3000	2425	35W	70	20°

## SKU SPECIFICATIONS

Product Code	Dimensions (mm)	CCT (K)	Lumens (lm)	Power (W)	Eff. (lm/watt)	Lens Angle (°)
<b>CRI 98</b>						
245610 Sedona D32020/ART3000/42W/98/A20	D124xH101mmxØ115mm±1mm	ART3000	2755	42W	66	20°
245611 Sedona D32020/ART3000/27W/98/A30	D124xH101mmxØ115mm±1mm	ART3000	1995	27W	74	30°
245612 Sedona D32020/ART3000/35W/98/A30	D124xH101mmxØ115mm±1mm	ART3000	2425	35W	70	30°
245613 Sedona D32020/ART3000/42W/98/A30	D124xH101mmxØ115mm±1mm	ART3000	2755	42W	66	30°
245184 Sedona D32020/ART3000/27W/98/A50	D124xH101mmxØ115mm±1mm	ART3000	1995	27W	74	50°
245185 Sedona D32020/ART3000/35W/98/A50	D124xH101mmxØ115mm±1mm	ART3000	2425	35W	70	50°
245186 Sedona D32020/ART3000/42W/98/A50	D124xH101mmxØ115mm±1mm	ART3000	2755	42W	66	50°
245187 Sedona D32023/ART3000/27W/98/A50	D160xH111mmxØ145mm±1mm	ART3000	1995	27W	74	50°
245188 Sedona D32023/ART3000/35W/98/A50	D160xH111mmxØ145mm±1mm	ART3000	2425	35W	70	50°
245189 Sedona D32023/ART3000/42W/98/A50	D160xH111mmxØ145mm±1mm	ART3000	2755	42W	66	50°
245190 Sedona D32024/ART3000/27W/98/A45	D180xH122mmxØ170mm±1mm	ART3000	1995	27W	74	45°
245191 Sedona D32024/ART3000/35W/98/A45	D180xH122mmxØ170mm±1mm	ART3000	2425	35W	70	45°
245192 Sedona D32024/ART3000/42W/98/A45	D180xH122mmxØ170mm±1mm	ART3000	2755	42W	66	45°
245193 Sedona D32025/ART3000/27W/98/A50	D220xH127mm x Ø200mm-210mm±1mm	ART3000	1995	27W	74	50°
245194 Sedona D32025/ART3000/35W/98/A50	D220xH127mm x Ø200mm-210mm±1mm	ART3000	2425	35W	70	50°
245195 Sedona D32025/ART3000/42W/98/A50	D220xH127mm x Ø200mm-210mm±1mm	ART3000	2755	42W	66	50°